



HYOSUNG

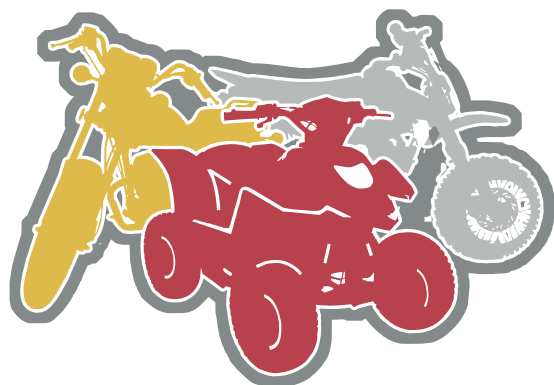


TE 450

ATV (Rapier 450)

2007 - 2008

Reservedele



ScanMI APS
SCANDINAVIAN MACHINERY IMPORT

Skovbyvej 99, Skovby

6470 Sydals

Telefon: +45 73 15 11 00

Fax: +45 73 15 11 01

E-mail: info@scanmi.dk

www.scanmi.dk

CVR: 27 73 31 07



 **HYOSUNG**
MOTORS & MACHINERY INC.

REFERENCE

1.The detailed specifications of each model are referred by the persons who are in charge of overseas marketing team, Hyosung.

2.Special demand

When you order any colored parts including Fuel tank, please add color code to the end of parts number and it will be helpful to register your parts order.

※ **Color code**



OLR : RED



SDK : BLACK

HYOSUNG MOTORS & MACHINERY INC.

FIG 1

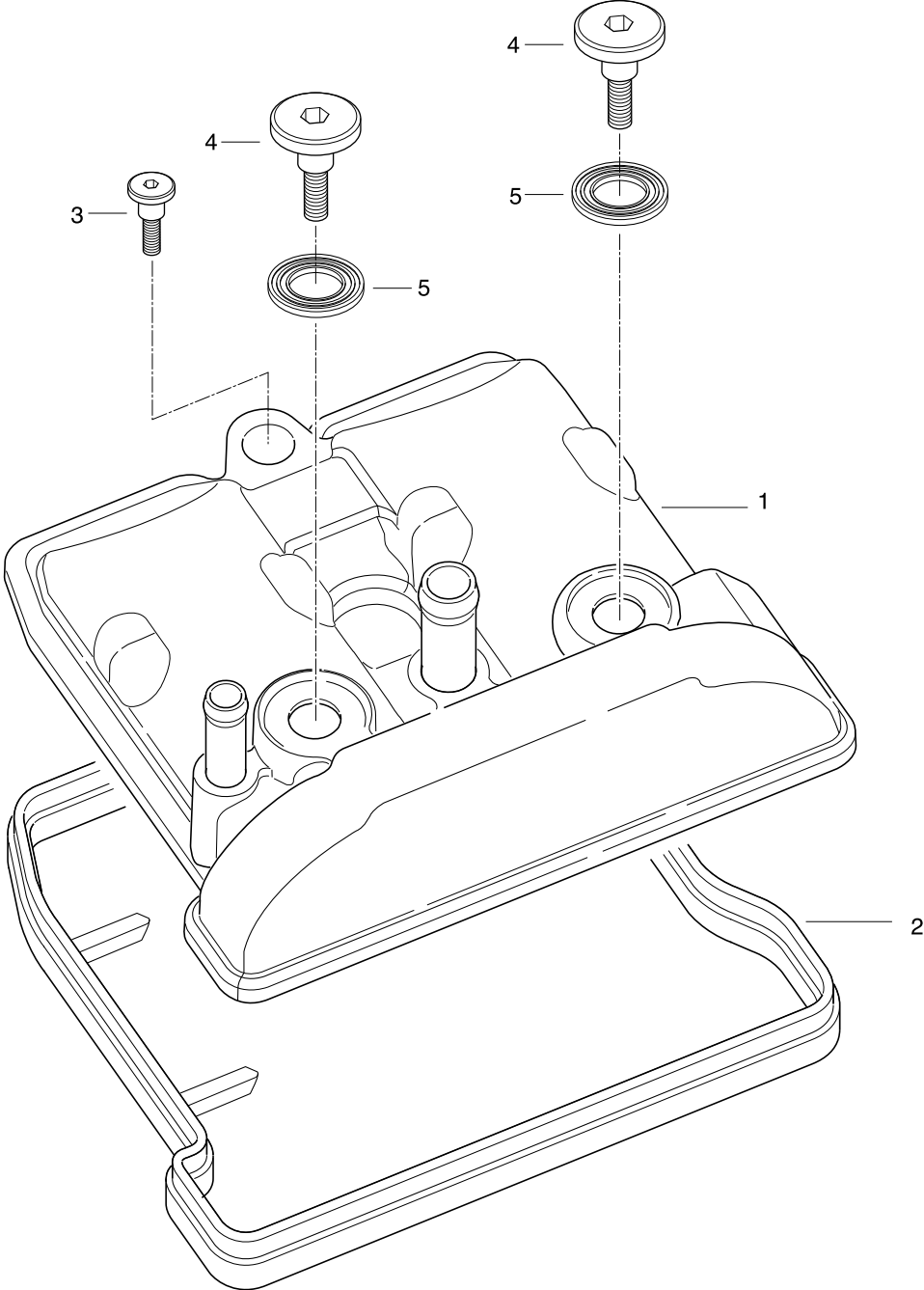


FIG 1 CYLINDER COVER

REF. NO.	PART NUMBER								PARTS NAME	Q`TY	REMARKS	REC.Q'TY (PCS)
	REU01	REU03	REU04	REU07	7EN01	7EN02	RF04	RS04				
1	11170HP89000S1	11170HP89000S1	11170HP89000S1	11170HP89000S1	11170HP89000S1	11170HP89000S1	11170HP89000S1	11170HP89000S1	COVER COMP, cylinder head	1		10
2	11173HP8900	11173HP8900	11173HP8900	11173HP8900	11173HP8900	11173HP8900	11173HP8900	11173HP8900	GASKET, cylinder head cover	1		10
3	09106H07017	09106H07017	09106H07017	09106H07017	09106H07017	09106H07017	09106H07017	09106H07017	BOLT, cylinder head cover No.2	1		30
4	09106H07018	09106H07018	09106H07018	09106H07018	09106H07018	09106H07018	09106H07018	09106H07018	BOLT, cylinder head cover No.1	2		30
5	09161H11008	09161H11008	09161H11008	09161H11008	09161H11008	09161H11008	09161H11008	09161H11008	WASHER, cylinder head cover	2		

FIG 2

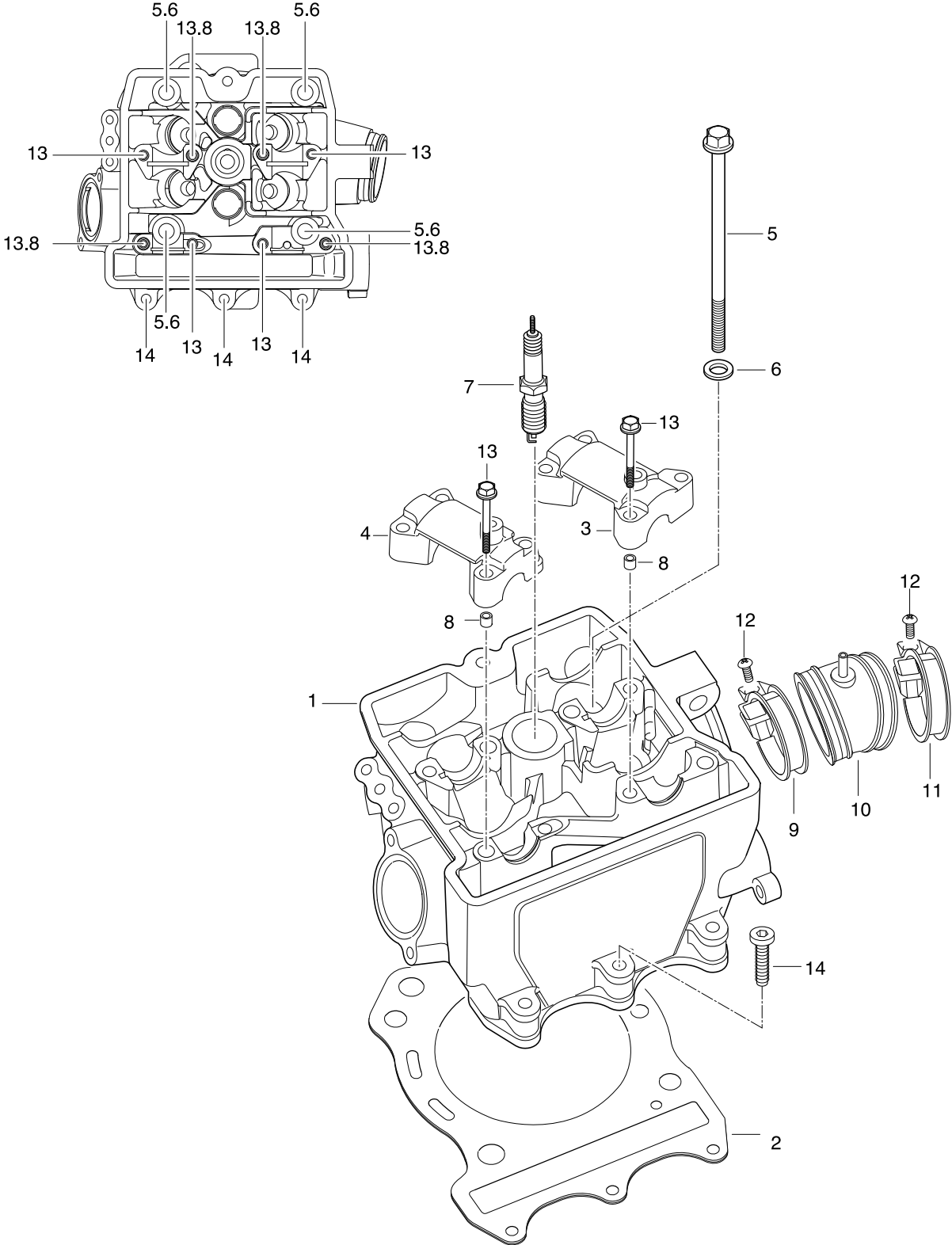


FIG 2. CYLINDER HEAD

REF. NO.	PART NUMBER								PARTS NAME	Q'TY	REMARKS	REC.Q'TY (PCS)
	REU01	REU03	REU04	REU07	7EN01	7EN02	RF04	RS04				
1	11110SP8900HPA	11110SP8900HPA	11110SP8900HPA	11110SP8900HPA	11110SP8900HPA	11110SP8900HPA	11110SP8900HPA	11110SP8900HPA	11110SP8900HPA	HEAD ASS'Y, cylinder	1	10
2	11141HP8900	11141HP8900	11141HP8900	11141HP8900	11141HP8900	11141HP8900	11141HP8900	11141HP8900	11141HP8900	GASKET, cylinder head	1	10
3	11131HP8900PCH	11131HP8900PCH	11131HP8900PCH	11131HP8900PCH	11131HP8900PCH	11131HP8900PCH	11131HP8900PCH	11131HP8900PCH	11131HP8900PCH	HOUSING ,camshaft intake	1	
4	11132HP8900PCH	11132HP8900PCH	11132HP8900PCH	11132HP8900PCH	11132HP8900PCH	11132HP8900PCH	11132HP8900PCH	11132HP8900PCH	11132HP8900PCH	HOUSING ,camshaft exhaust	1	
5	09103H10001	09103H10001	09103H10001	09103H10001	09103H10001	09103H10001	09103H10001	09103H10001	09103H10001	BOLT, cylinder head (M10)	4	10
6	09160H10002	09160H10002	09160H10002	09160H10002	09160H10002	09160H10002	09160H10002	09160H10002	09160H10002	WASHER, cylinder head bolt	4	10
7	09482-00456	09482-00456	09482-00456	09482-00456	09482-00456	09482-00456	09482-00456	09482-00456	09482-00456	PLUG, spark CR8E	1	
8	09206-08001	09206-08001	09206-08001	09206-08001	09206-08001	09206-08001	09206-08001	09206-08001	09206-08001	KNOCK PIN, camshaft housing	4	
9	09402-58208	09402-58208	09402-58208	09402-58208	09402-58208	09402-58208	09402-58208	09402-58208	09402-58208	CLAMP, carburetor	1	
10	13110HP8900	13110HP8900	13110HP8900	13110HP8900	13110HP8900	13110HP8900	13110HP8900	13110HP8900	13110HP8900	PIPE COMP, intake	1	10
11	09402-58208	09402-58208	09402-58208	09402-58208	09402-58208	09402-58208	09402-58208	09402-58208	09402-58208	CLAMP, carburetor	1	
12	02122-06168	02122-06168	02122-06168	02122-06168	02122-06168	02122-06168	02122-06168	02122-06168	02122-06168	SCREW, intake	2	
13	09103H06002	09103H06002	09103H06002	09103H06002	09103H06002	09103H06002	09103H06002	09103H06002	09103H06002	BOLT, camshaft housing (M6)	6	
14	07120-06408	07120-06408	07120-06408	07120-06408	07120-06408	07120-06408	07120-06408	07120-06408	07120-06408	BOLT, cylinder head No.1(M6)	5	

FIG. 3

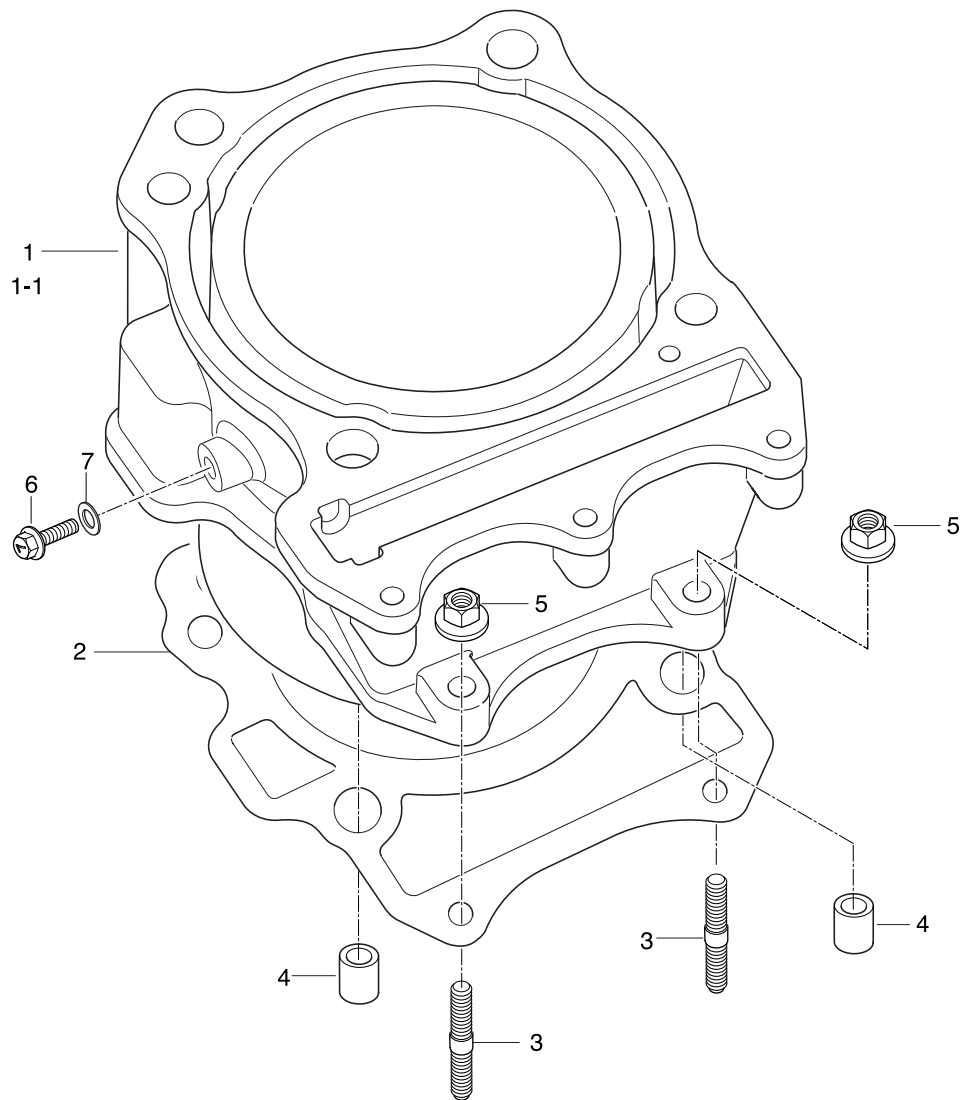


FIG 3. CYLINDER

REF. NO.	PART NUMBER								PARTS NAME	Q`TY	REMARKS	REC.Q`TY (PCS)
	REU01	REU03	REU04	REU07	7EN01	7EN02	RF04	RS04				
1	11210HP8900HPA	11210HP8900HPA	11210HP8900HPA	11210HP8900HPA	11210HP8900HPA	11210HP8900HPA	11210HP8900HPA	11210HP8900HPA	11210HP8900HPA	CYLINDER COMP	1	10
1-N	11210HP8920HPA	11210HP8920HPA	11210HP8920HPA	11210HP8920HPA	11210HP8920HPA	11210HP8920HPA	11210HP8920HPA	11210HP8920HPA	11210HP8920HPA	CYLINDER COMP(AL mono sleeve	1	KM4AL42A481101103~
2	11241HP8900	11241HP8900	11241HP8900	11241HP8900	11241HP8900	11241HP8900	11241HP8900	11241HP8900	11241HP8900	GASKET, cylinder	1	10
3	01421-06258	01421-06258	01421-06258	01421-06258	01421-06258	01421-06258	01421-06258	01421-06258	01421-06258	BOLT, cylinder stud (M6)	2	
4	04213-13189	04213-13189	04213-13189	04213-13189	04213-13189	04213-13189	04213-13189	04213-13189	04213-13189	PIN, cylinder knock	4	
5	08316-16068	08316-16068	08316-16068	08316-16068	08316-16068	08316-16068	08316-16068	08316-16068	08316-16068	NUT, cylinder M6	2	
6	01517-06128	01517-06128	01517-06128	01517-06128	01517-06128	01517-06128	01517-06128	01517-06128	01517-06128	BOLT, water drain	1	
7	09168H06019	09168H06019	09168H06019	09168H06019	09168H06019	09168H06019	09168H06019	09168H06019	09168H06019	GASKET, water drain bolt	1	30

FIG 4

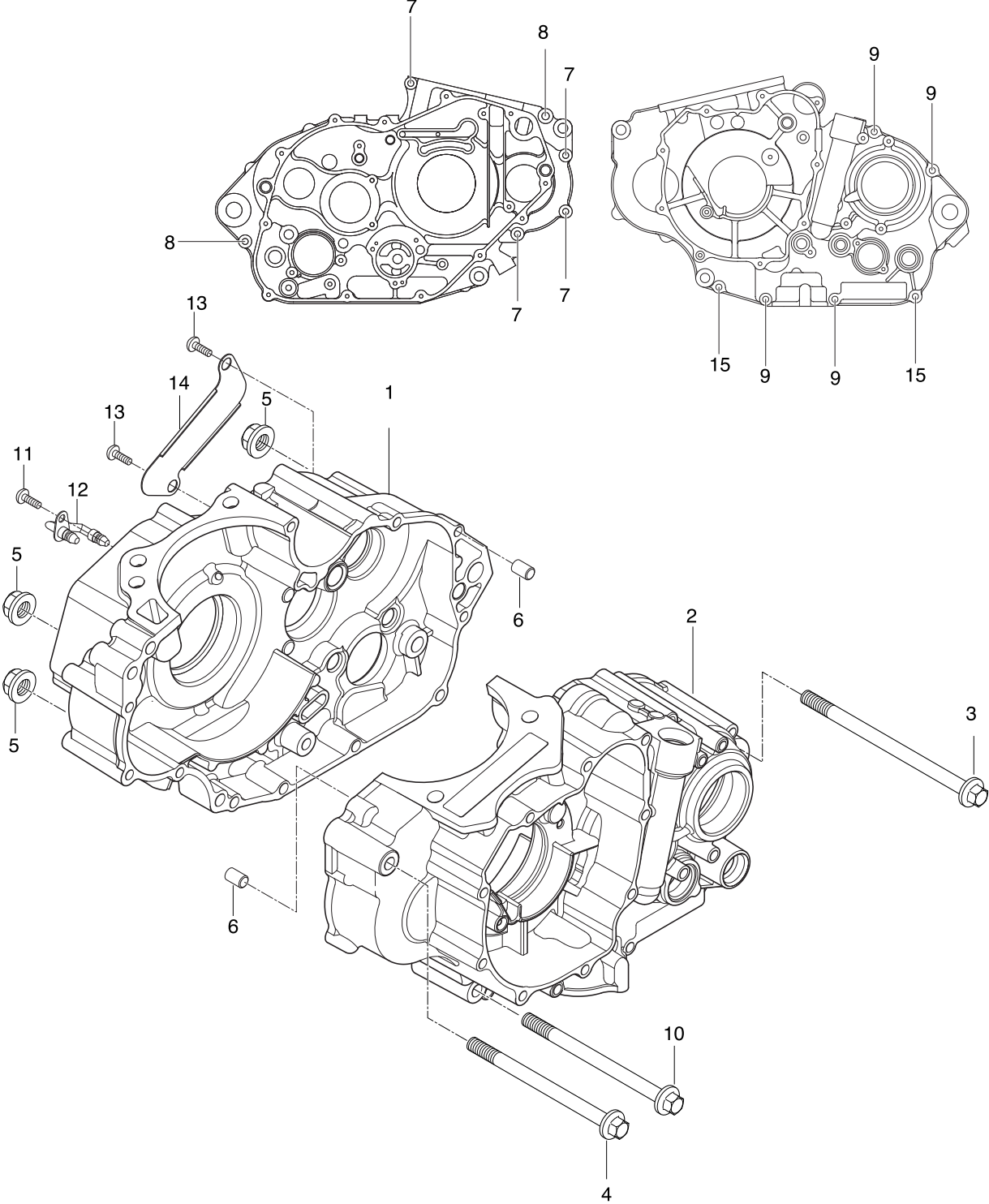


FIG 4. CRANK CASE

REF. NO.	PART NUMBER								PARTS NAME	Q'TY	REMARKS	REC.Q'TY (PCS)
	REU01	REU03	REU04	REU07	7EN01	7EN02	RF04	RS04				
0	11300HP8900HPA	11300HP8900HPA	11300HP8900HPA	11300HP8900HPA	11300HP8900HPA	11300HP8900HPA	11300HP8900HPA	11300HP8900HPA	11300HP8900HPA	CRANKCASE ASS'Y	1	5
1	11310HP8900HPA	11310HP8900HPA	11310HP8900HPA	11310HP8900HPA	11310HP8900HPA	11310HP8900HPA	11310HP8900HPA	11310HP8900HPA	11310HP8900HPA	CRANKCASE COMP, R	1	
2	11320HP8900HPA	11320HP8900HPA	11320HP8900HPA	11320HP8900HPA	11320HP8900HPA	11320HP8900HPA	11320HP8900HPA	11320HP8900HPA	11320HP8900HPA	CRANKCASE COMP, L	1	
3	41999HP8900	41999HP8900	41999HP8900	41999HP8900	41999HP8900	41999HP8900	41999HP8900	41999HP8900	41999HP8900	BOLT, engine mounting lower rear	1	
4	41996HP8900	41996HP8900	41996HP8900	41996HP8900	41996HP8900	41996HP8900	41996HP8900	41996HP8900	41996HP8900	BOLT, engine mounting front	1	
5	08319-31108	08319-31108	08319-31108	08319-31108	08319-31108	08319-31108	08319-31108	08319-31108	08319-31108	NUT, engine mounting lower front	3	
6	04213-13189	04213-13189	04213-13189	04213-13189	04213-13189	04213-13189	04213-13189	04213-13189	04213-13189	PIN, crankcase knock	2	
7	01547-06758	01547-06758	01547-06758	01547-06758	01547-06758	01547-06758	01547-06758	01547-06758	01547-06758	BOLT, crankcase M6	4	20
8	07120-08508	07120-08508	07120-08508	07120-08508	07120-08508	07120-08508	07120-08508	07120-08508	07120-08508	BOLT, crankcase M8	2	10
9	01547-06858	01547-06858	01547-06858	01547-06858	01547-06858	01547-06858	01547-06858	01547-06858	01547-06858	BOLT, crankcase M6	4	20
10	07120-08208	07120-08208	07120-08208	07120-08208	07120-08208	07120-08208	07120-08208	07120-08208	07120-08208	BOLT, engine mounting front lower	4	20
11	02112-06128	02112-06128	02112-06128	02112-06128	02112-06128	02112-06128	02112-06128	02112-06128	02112-06128	SCREW, connector oil pipe	1	
12	24760HP8900	24760HP8900	24760HP8900	24760HP8900	24760HP8900	24760HP8900	24760HP8900	24760HP8900	24760HP8900	PIPE COMP, oil connector	1	
13	02112-06128	02112-06128	02112-06128	02112-06128	02112-06128	02112-06128	02112-06128	02112-06128	02112-06128	SCREW, oil return guide	2	
14	11316HP8900	11316HP8900	11316HP8900	11316HP8900	11316HP8900	11316HP8900	11316HP8900	11316HP8900	11316HP8900	GUIDE, oil return	1	
15	01547-06658	01547-06658	01547-06658	01547-06658	01547-06658	01547-06658	01547-06658	01547-06658	01547-06658	BOLT, crankcase M6	2	

FIG 5

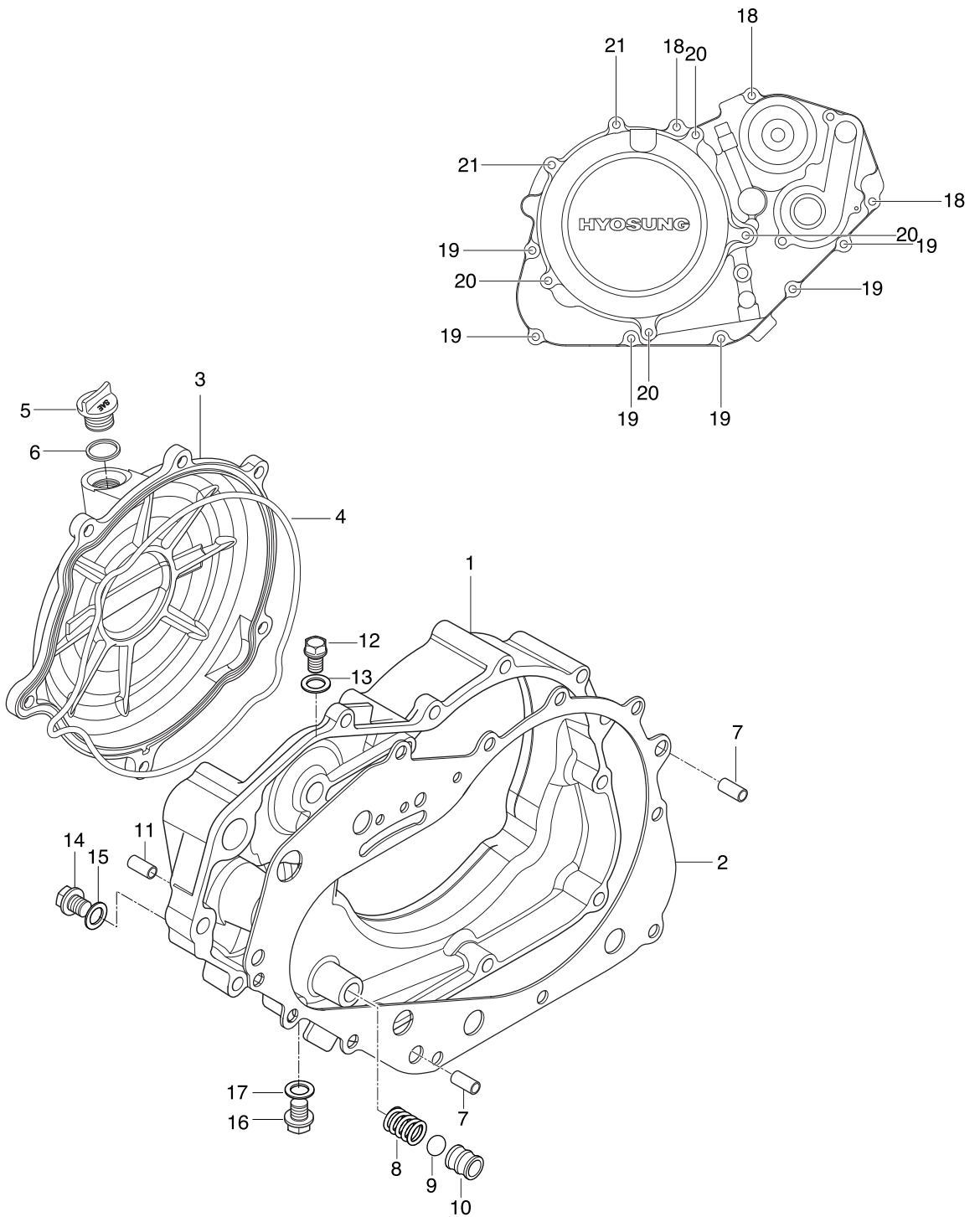


FIG 5. CRANK CASE COVER

REF. NO.	PART NUMBER								PARTS NAME	Q'TY	REMARKS	REC.Q'TY (PCS)
	REU01	REU03	REU04	REU07	7EN01	7EN02	RF04	RS04				
1	11330HP89000S1	11330HP89000S1	11330HP89000S1	11330HP89000S1	11330HP89000S1	11330HP89000S1	11330HP89000S1	11330HP89000S1	COVER COMP, clutch	1		10
2	11481HP8900	11481HP8900	11481HP8900	11481HP8900	11481HP8900	11481HP8900	11481HP8900	11481HP8900	GASKET, clutch cover	1		50
3	11341HP8900HPA	11341HP8900HPA	11341HP8900HPA	11341HP8900HPA	11341HP8900HPA	11341HP8900HPA	11341HP8900HPA	11341HP8900HPA	COVER, clutch outer	1		10
4	11482HP8900	11482HP8900	11482HP8900	11482HP8900	11482HP8900	11482HP8900	11482HP8900	11482HP8900	O-RING, clutch outer cover	1		
5	09259-2601503P	09259-2601503P	09259-2601503P	09259-2601503P	09259-2601503P	09259-2601503P	09259-2601503P	09259-2601503P	PLUG, eng oil filter	1		
6	09280H17003	09280H17003	09280H17003	09280H17003	09280H17003	09280H17003	09280H17003	09280H17003	O-RING, eng oil filter plug	1		
7	04213-13189	04213-13189	04213-13189	04213-13189	04213-13189	04213-13189	04213-13189	04213-13189	PIN, clutch cover knock	2		
8	09440H08001	09440H08001	09440H08001	09440H08001	09440H08001	09440H08001	09440H08001	09440H08001	SPRING, oil check ball	1		
9	06111-12004	06111-12004	06111-12004	06111-12004	06111-12004	06111-12004	06111-12004	06111-12004	BALL, oil check	1		
10	16450HP8901	16450HP8901	16450HP8901	16450HP8901	16450HP8901	16450HP8901	16450HP8901	16450HP8901	BUSH COMP, oil check	1		
11	04222-03089	04222-03089	04222-03089	04222-03089	04222-03089	04222-03089	04222-03089	04222-03089	PIN, water pump case	1		
12	01517-06128	01517-06128	01517-06128	01517-06128	01517-06128	01517-06128	01517-06128	01517-06128	BOLT, oil galley	1		
13	09168H06019	09168H06019	09168H06019	09168H06019	09168H06019	09168H06019	09168H06019	09168H06019	GASKET, oil galley bolt	1		50
14	01514-08128	01514-08128	01514-08128	01514-08128	01514-08128	01514-08128	01514-08128	01514-08128	PLUG, oil check	1		
15	09168-08015	09168-08015	09168-08015	09168-08015	09168-08015	09168-08015	09168-08015	09168-08015	GASKET, oil check plug	1		50
16	09247-100A9	09247-100A9	09247-100A9	09247-100A9	09247-100A9	09247-100A9	09247-100A9	09247-100A9	BOLT, oil galley	1		
17	09168H10003	09168H10003	09168H10003	09168H10003	09168H10003	09168H10003	09168H10003	09168H10003	GASKET, oil galley bolt	1		50
18	01547-06208	01547-06208	01547-06208	01547-06208	01547-06208	01547-06208	01547-06208	01547-06208	BOLT, clutch cover	3		
19	01547-06308	01547-06308	01547-06308	01547-06308	01547-06308	01547-06308	01547-06308	01547-06308	BOLT, clutch cover	6		
20	01547-06258	01547-06258	01547-06258	01547-06258	01547-06258	01547-06258	01547-06258	01547-06258	BOLT, clutch cover outer	4		
21	01547-06708	01547-06708	01547-06708	01547-06708	01547-06708	01547-06708	01547-06708	01547-06708	BOLT, clutch cover outer	2		

FIG 6

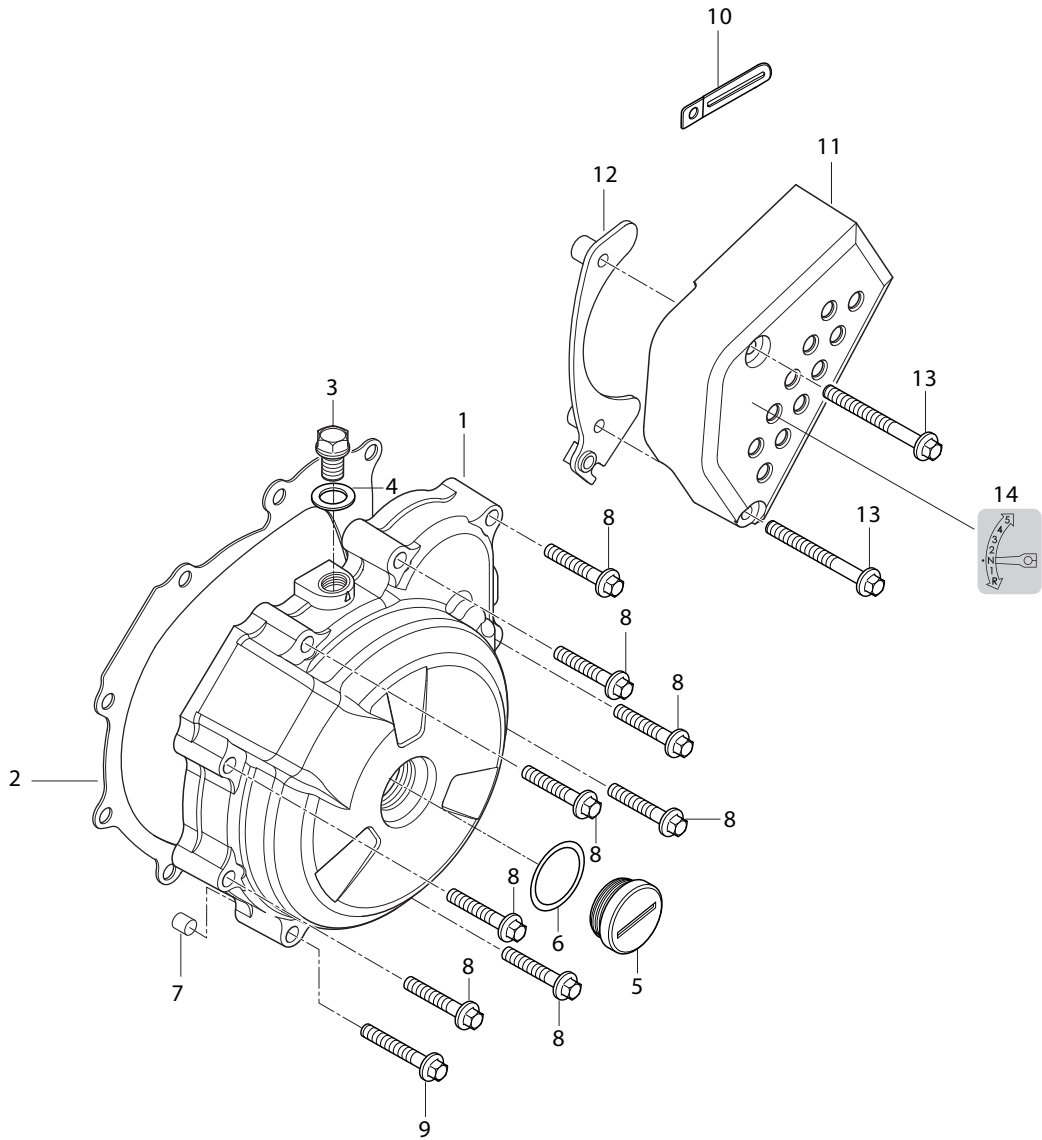


FIG 6. MAGNETO COVER

REF. NO.	PART NUMBER								PARTS NAME	Q'TY	REMARKS	REC.Q'TY (PCS)
	REU01	REU03	REU04	REU07	7EN01	7EN02	RF04	RS04				
1	11351HP89000S1	11351HP89000S1	11351HP89000S1	11351HP89000S1	11351HP89000S1	11351HP89000S1	11351HP89000S1	11351HP89000S1	COVER, magneto	1		10
2	11483HP8900	11483HP8900	11483HP8900	11483HP8900	11483HP8900	11483HP8900	11483HP8900	11483HP8900	GASKET, magneto cover	1		20
3	09247H12102	09247H12102	09247H12102	09247H12102	09247H12102	09247H12102	09247H12102	09247H12102	PLUG, tdc	1		
4	09168H12003	09168H12003	09168H12003	09168H12003	09168H12003	09168H12003	09168H12003	09168H12003	GASKET, tdc plug	1		10
5	09259-26015	09259-26015	09259-26015	09259-26015	09259-26015	09259-26015	09259-26015	09259-26015	PLUG, crankshaft hole	1		
6	09280-22008	09280-22008	09280-22008	09280-22008	09280-22008	09280-22008	09280-22008	09280-22008	O-RING, crankshaft hole plug	1		
7	04213-09129	04213-09129	04213-09129	04213-09129	04213-09129	04213-09129	04213-09129	04213-09129	PIN, magneto cover knock	1		
8	01547-06408	01547-06408	01547-06408	01547-06408	01547-06408	01547-06408	01547-06408	01547-06408	BOLT, magneto cover	8		30
9	01547-06458	01547-06458	01547-06458	01547-06458	01547-06458	01547-06458	01547-06458	01547-06458	BOLT, magneto cover	1		
10	09403H09304	09403H09304	09403H09304	09403H09304	09403H09304	09403H09304	09403H09304	09403H09304	CLAMP, reverse cable	1		
11	11360HP8900	11360HP8900	11360HP8900	11360HP8900	11360HP8900	11360HP8900	11360HP8900	11360HP8900	COVER COMP, engine sprocket	1		10
12	27520HP8900	27520HP8900	27520HP8900	27520HP8900	27520HP8900	27520HP8900	27520HP8900	27520HP8900	GUIDE COMP, drive chain	1		5
13	01547-06458	01547-06458	01547-06458	01547-06458	01547-06458	01547-06458	01547-06458	01547-06458	BOLT, engine sprocket cover	2		
14	68241HP8900	68241HP8900	68241HP8900	68241HP8900	68241HP8900	68241HP8900	68241HP8900	68241HP8900	LABEL, gear chain	1		

FIG 7

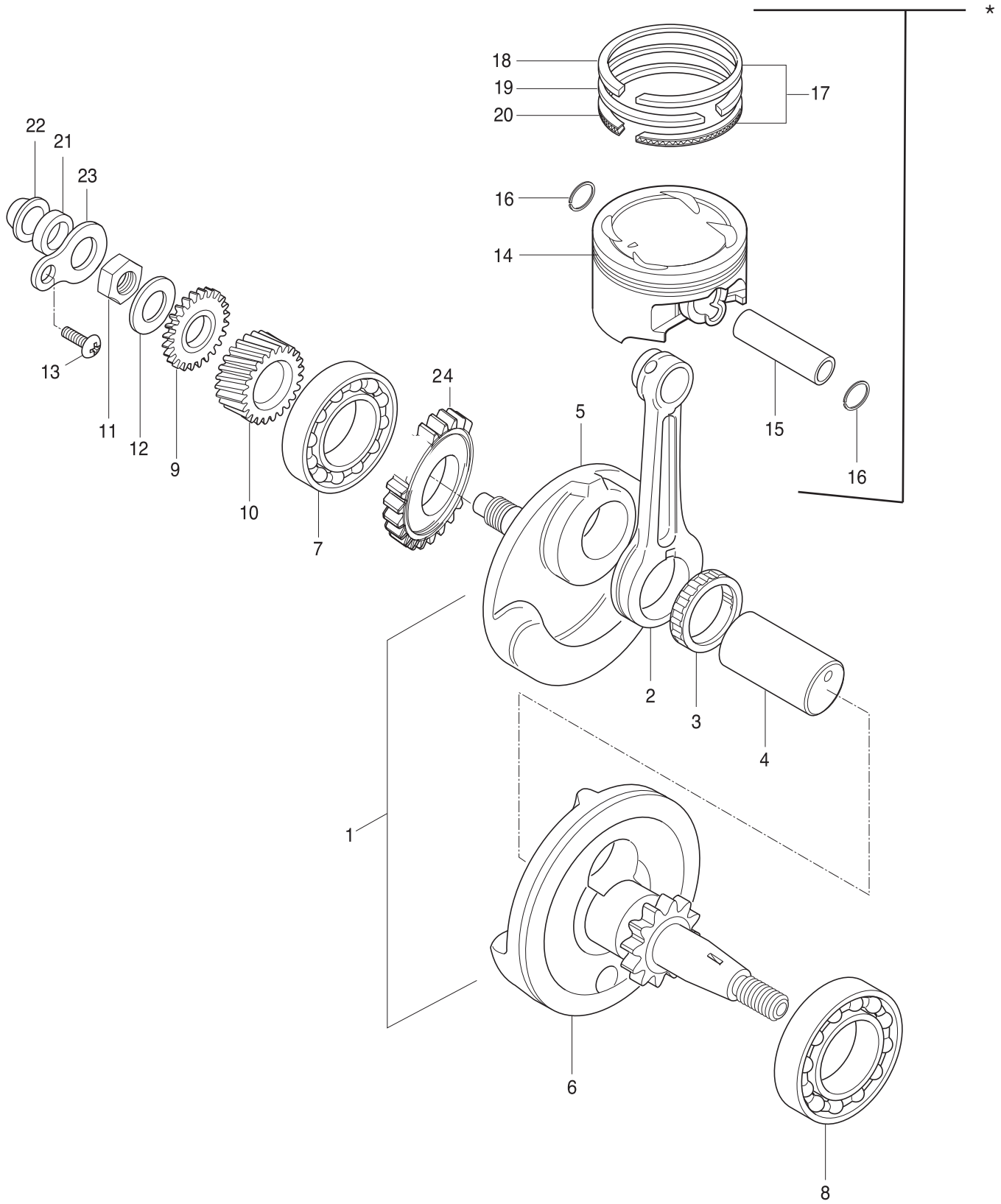


FIG 7. CRANK SHAFT

REF. NO.	PART NUMBER								PARTS NAME	Q'TY	REMARKS	REC.Q'TY (PCS)
	REU01	REU03	REU04	REU07	7EN01	7EN02	RF04	RS04				
1	12200HP8900HPA	12200HP8900HPA	12200HP8900HPA	12200HP8900HPA	12200HP8900HPA	12200HP8900HPA	12200HP8900HPA	12200HP8900HPA	12200HP8900HPA	CRANK SHAFT ASS'Y	1	10
2	12161HP8900	12161HP8900	12161HP8900	12161HP8900	12161HP8900	12161HP8900	12161HP8900	12161HP8900	12161HP8900	ROD, connecting	1	
3	09263H37002	09263H37002	09263H37002	09263H37002	09263H37002	09263H37002	09263H37002	09263H37002	09263H37002	BEARING, crank pin	2	
4	12210HP8900	12210HP8900	12210HP8900	12210HP8900	12210HP8900	12210HP8900	12210HP8900	12210HP8900	12210HP8900	PIN COMP, crank	1	10
5	12221HP8900CSA	12221HP8900CSA	12221HP8900CSA	12221HP8900CSA	12221HP8900CSA	12221HP8900CSA	12221HP8900CSA	12221HP8900CSA	12221HP8900CSA	CRANK SHAFT, R	1	
6	12261HP8900CSA	12261HP8900CSA	12261HP8900CSA	12261HP8900CSA	12261HP8900CSA	12261HP8900CSA	12261HP8900CSA	12261HP8900CSA	12261HP8900CSA	CRANK SHAFT, L	1	
7	09262H30001	09262H30001	09262H30001	09262H30001	09262H30001	09262H30001	09262H30001	09262H30001	09262H30001	BEARING, crank shaft R	1	10
8	09262H35001	09262H35001	09262H35001	09262H35001	09262H35001	09262H35001	09262H35001	09262H35001	09262H35001	BEARING, crank shaft L	1	10
9	17511HN9103	17511HN9103	17511HN9103	17511HN9103	17511HN9103	17511HN9103	17511HN9103	17511HN9103	17511HN9103	GEAR, water pump drive	1	
10	21111HP8900	21111HP8900	21111HP8900	21111HP8900	21111HP8900	21111HP8900	21111HP8900	21111HP8900	21111HP8900	GEAR, primary drive	1	
11	09140H18001	09140H18001	09140H18001	09140H18001	09140H18001	09140H18001	09140H18001	09140H18001	09140H18001	NUT, primary drive gear	1	
12	09146H18001	09146H18001	09146H18001	09146H18001	09146H18001	09146H18001	09146H18001	09146H18001	09146H18001	WASHER, water pump deive gear lo	1	
13	02112-00128	02112-00128	02112-00128	02112-00128	02112-00128	02112-00128	02112-00128	02112-00128	02112-00128	SCREW, crank shaft oil seal retainer	3	
*	12110SP8900HPA	12110SP8900HPA	12110SP8900HPA	12110SP8900HPA	12110SP8900HPA	12110SP8900HPA	12110SP8900HPA	12110SP8900HPA	12110SP8900HPA	PISTON SET (piston + ring set + cir	1	20
*-N	12110SP8920HPA	12110SP8920HPA	12110SP8920HPA	12110SP8920HPA	12110SP8920HPA	12110SP8920HPA	12110SP8920HPA	12110SP8920HPA	12110SP8920HPA	PISTON SET(AL mono block)	1	KM4AL42A481101103~ 20
14	12111HP8900PPS	12111HP8900PPS	12111HP8900PPS	12111HP8900PPS	12111HP8900PPS	12111HP8900PPS	12111HP8900PPS	12111HP8900PPS	12111HP8900PPS	PISTON	1	20
14-N	12111HP8920PPS	12111HP8920PPS	12111HP8920PPS	12111HP8920PPS	12111HP8920PPS	12111HP8920PPS	12111HP8920PPS	12111HP8920PPS	12111HP8920PPS	PISTON(AL mono block)	1	KM4AL42A481101103~
15	12151HP8900	12151HP8900	12151HP8900	12151HP8900	12151HP8900	12151HP8900	12151HP8900	12151HP8900	12151HP8900	PIN, piston	1	20
16	09381H19001	09381H19001	09381H19001	09381H19001	09381H19001	09381H19001	09381H19001	09381H19001	09381H19001	CIRCLIP, piston pin	2	20
16-N	09381H19001	09381H19001	09381H19001	09381H19001	09381H19001	09381H19001	09381H19001	09381H19001	09381H19001	CIRCLIP, piston pin(AL mono block	2	KM4AL42A481101103~
17	12140HP8900	12140HP8900	12140HP8900	12140HP8900	12140HP8900	12140HP8900	12140HP8900	12140HP8900	12140HP8900	RINGSET, piston	1	20
18	12141HP8900	12141HP8900	12141HP8900	12141HP8900	12141HP8900	12141HP8900	12141HP8900	12141HP8900	12141HP8900	RING, piston 1st	1	20
19	12142HP8900	12142HP8900	12142HP8900	12142HP8900	12142HP8900	12142HP8900	12142HP8900	12142HP8900	12142HP8900	RING, piston 2nd	1	20
20	12144HP8900	12144HP8900	12144HP8900	12144HP8900	12144HP8900	12144HP8900	12144HP8900	12144HP8900	12144HP8900	RING, piston oil	1	20
21	09282-12001	09282-12001	09282-12001	09282-12001	09282-12001	09282-12001	09282-12001	09282-12001	09282-12001	SEAL, crank shaft oil rh	1	20
22	12291HN9100	12291HN9100	12291HN9100	12291HN9100	12291HN9100	12291HN9100	12291HN9100	12291HN9100	12291HN9100	JET, crank shaft R	1	
23	12281HN9100	12281HN9100	12281HN9100	12281HN9100	12281HN9100	12281HN9100	12281HN9100	12281HN9100	12281HN9100	RETAINER, crank shaft oil seal	1	
24	12660HP8900	12660HP8900	12660HP8900	12660HP8900	12660HP8900	12660HP8900	12660HP8900	12660HP8900	12660HP8900	GEAR,CR/BALANCER	1	

FIG.8

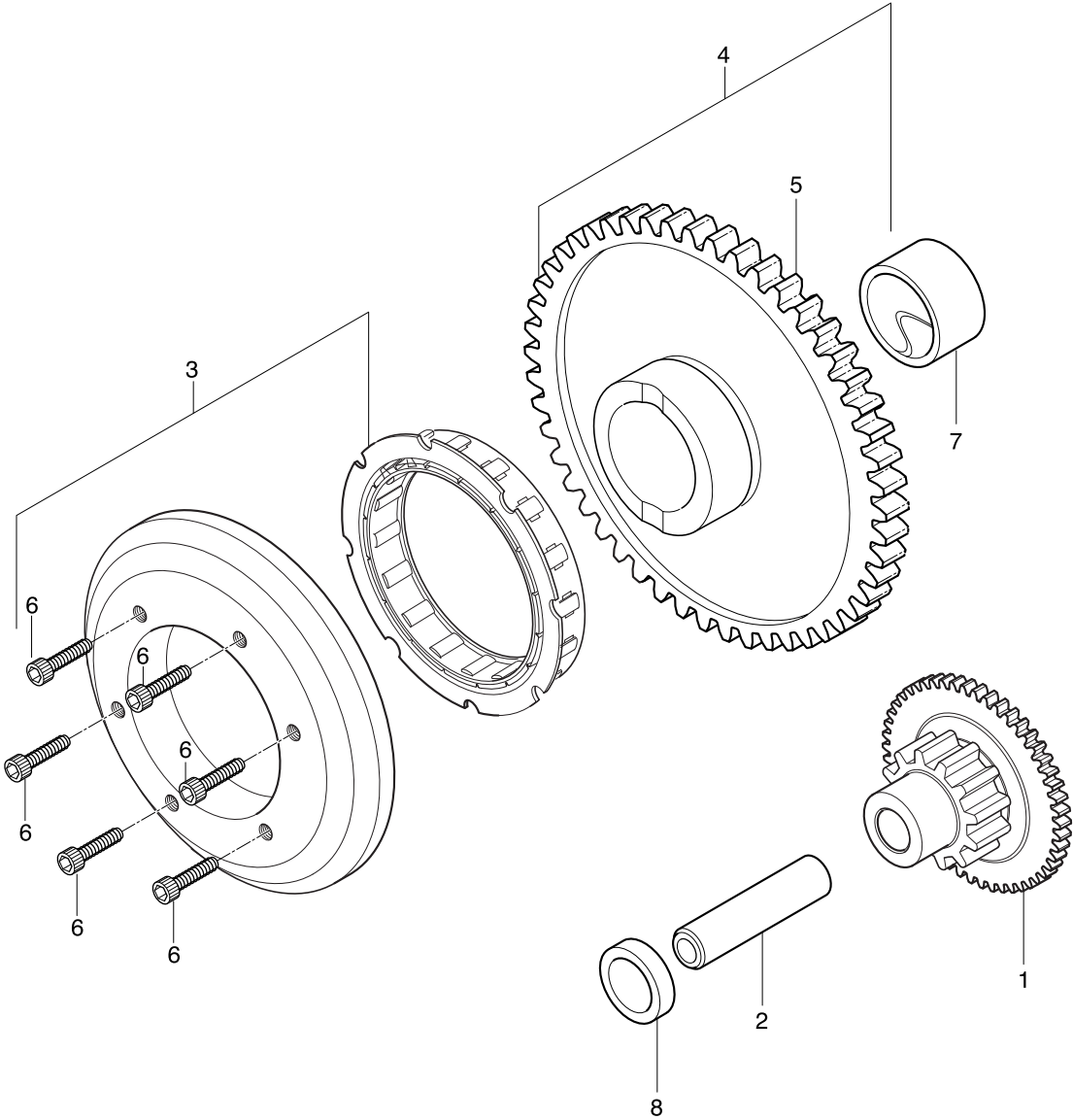


FIG 8. STARTER CLUTCH

REF. NO.	PART NUMBER								PARTS NAME	Q`TY	REMARKS	REC.Q`TY (PCS)
	REU01	REU03	REU04	REU07	7EN01	7EN02	RF04	RS04				
1	12611HN9100	12611HN9100	12611HN9100	12611HN9100	12611HN9100	12611HN9100	12611HN9100	12611HN9100	12611HN9100	GEAR, starter idle	1	
2	12612HP8900	12612HP8900	12612HP8900	12612HP8900	12612HP8900	12612HP8900	12612HP8900	12612HP8900	12612HP8900	SHAFT, sharter idle gear	1	
3	12614HP8900	12614HP8900	12614HP8900	12614HP8900	12614HP8900	12614HP8900	12614HP8900	12614HP8900	12614HP8900	CLUTCH, starter one way	1	5
4	12620HP8900HPA	12620HP8900HPA	12620HP8900HPA	12620HP8900HPA	12620HP8900HPA	12620HP8900HPA	12620HP8900HPA	12620HP8900HPA	12620HP8900HPA	GEAR COMP, starter clutch	1	
5	12621HP8900	12621HP8900	12621HP8900	12621HP8900	12621HP8900	12621HP8900	12621HP8900	12621HP8900	12621HP8900	GEAR, starter clutch	1	
6	07110-08168	07110-08168	07110-08168	07110-08168	07110-08168	07110-08168	07110-08168	07110-08168	07110-08168	BOLT, starter clutch	6	
7	09263H25002	09263H25002	09263H25002	09263H25002	09263H25002	09263H25002	09263H25002	09263H25002	09263H25002	BEARING, starter clutch gear	1	10
8	09180H13001	09180H13001	09180H13001	09180H13001	09180H13001	09180H13001	09180H13001	09180H13001	09180H13001	SPACER, starter idle gear	1	

FIG.9

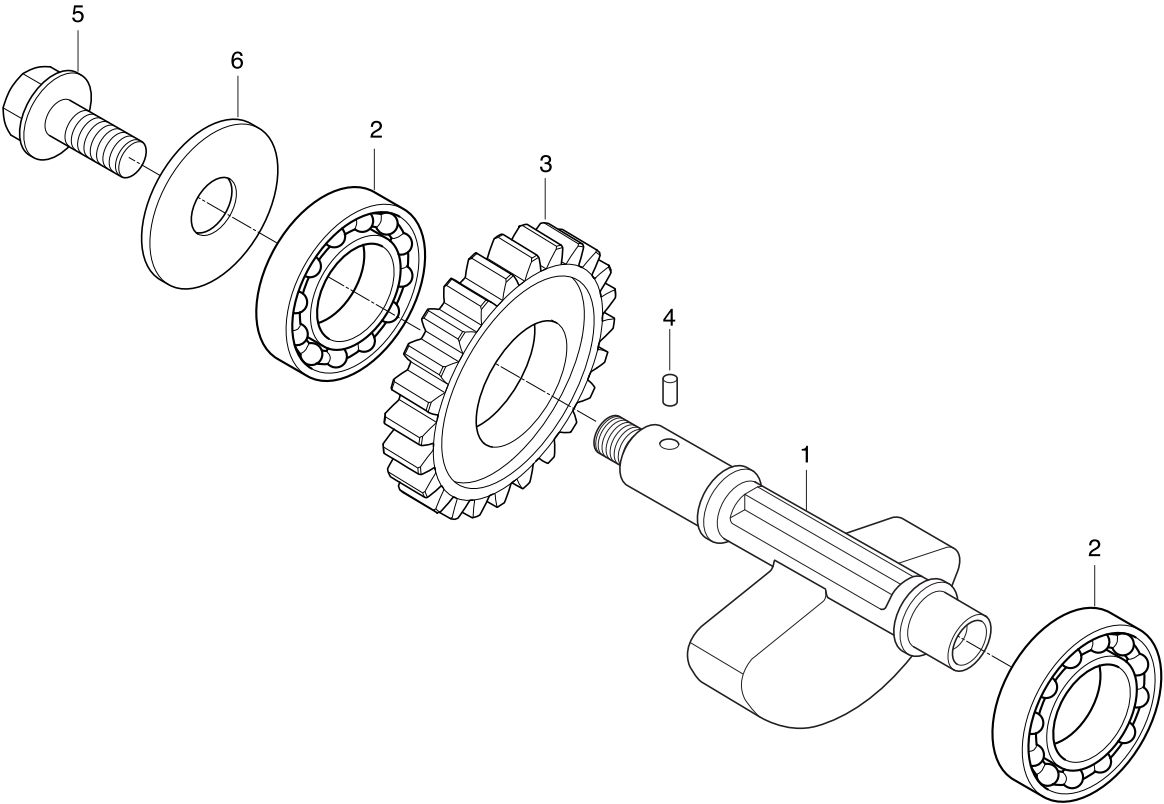


FIG 9. BALANCE GEAR

REF. NO.	PART NUMBER								PARTS NAME	Q`TY	REMARKS	REC.Q`TY (PCS)
	REU01	REU03	REU04	REU07	7EN01	7EN02	RF04	RS04				
1	12651HP8900	12651HP8900	12651HP8900	12651HP8900	12651HP8900	12651HP8900	12651HP8900	12651HP8900	BALANCER, crank	1		6
2	08113-62040	08113-62040	08113-62040	08113-62040	08113-62040	08113-62040	08113-62040	08113-62040	BEARING, crank balancer	2		15
3	12666HP8900	12666HP8900	12666HP8900	12666HP8900	12666HP8900	12666HP8900	12666HP8900	12666HP8900	GEAR, crank balancer drive	1		5
4	04221-04069	04221-04069	04221-04069	04221-04069	04221-04069	04221-04069	04221-04069	04221-04069	PIN, balancer drive	1		10
5	01107-10168	01107-10168	01107-10168	01107-10168	01107-10168	01107-10168	01107-10168	01107-10168	BOLT, balancer	1		
6	08211-10285	08211-10285	08211-10285	08211-10285	08211-10285	08211-10285	08211-10285	08211-10285	WASHER, balancer bolt	1		

FIG 10

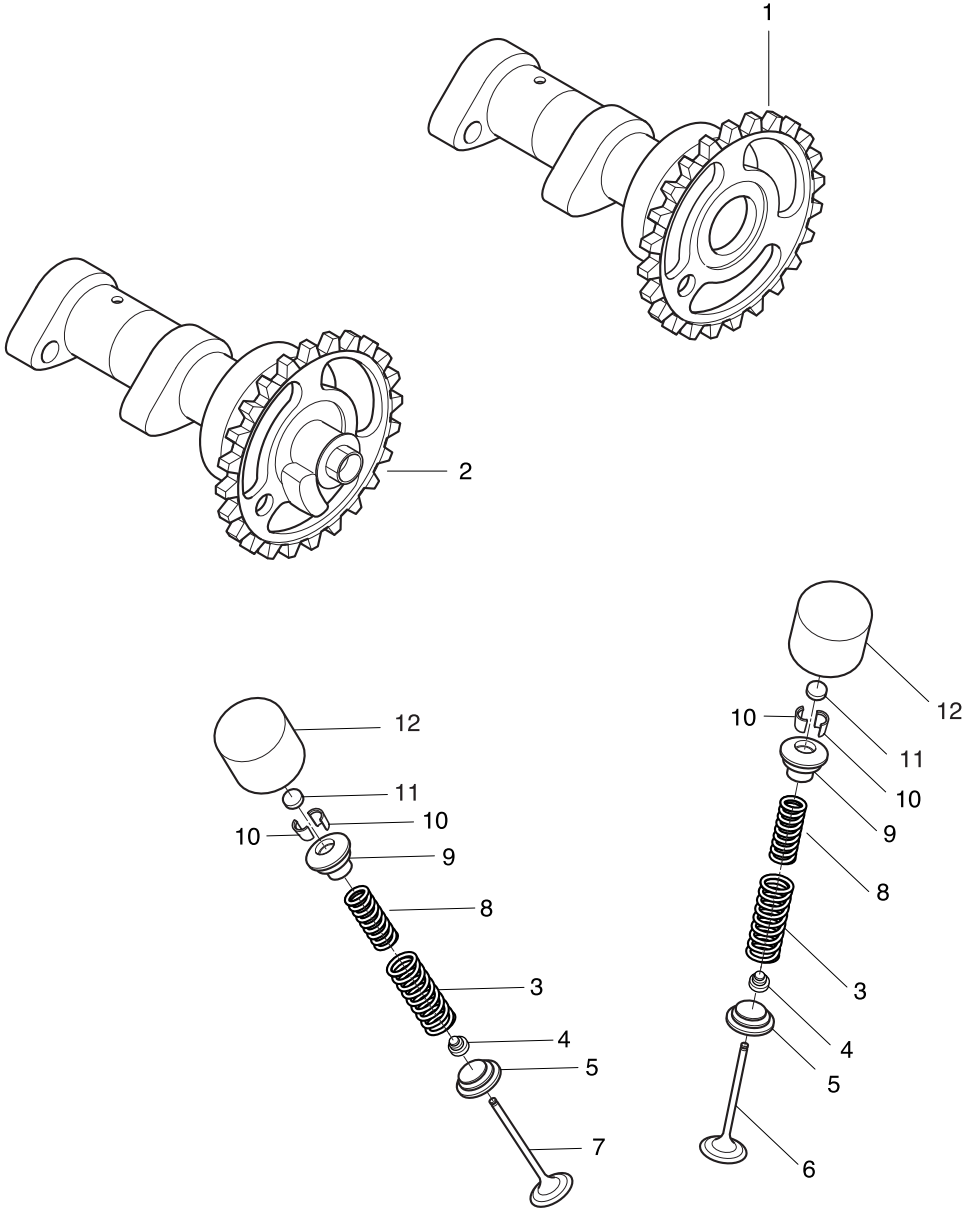


FIG 10. CAMSHAFT / VALVE

REF. NO.	PART NUMBER									PARTS NAME	Q`TY	REMARKS	REC.Q`TY (PCS)
	REU01	REU03	REU04	REU07	7EN01	7EN02	RF04	RS04					
1	12710HP8900HPA	12710HP8900HPA	12710HP8900HPA	12710HP8900HPA	12710HP8900HPA	12710HP8900HPA	12710HP8900HPA	12710HP8900HPA	12710HP8900HPA	CAMSHAFT ASS'Y, intake	1		5
2	12720HP8900HPA	12720HP8900HPA	12720HP8900HPA	12720HP8900HPA	12720HP8900HPA	12720HP8900HPA	12720HP8900HPA	12720HP8900HPA	12720HP8900HPA	CAMSHAFT ASS'Y, exhaust	1		5
3	12922HP8900	12922HP8900	12922HP8900	12922HP8900	12922HP8900	12922HP8900	12922HP8900	12922HP8900	12922HP8900	SPRING, valve outer	4		
4	09289-05008	09289-05008	09289-05008	09289-05008	09289-05008	09289-05008	09289-05008	09289-05008	09289-05008	SEAL, valve stem oil	4		
5	12933HP8900	12933HP8900	12933HP8900	12933HP8900	12933HP8900	12933HP8900	12933HP8900	12933HP8900	12933HP8900	SEAT, valve spring	4		
6	12911HP8900	12911HP8900	12911HP8900	12911HP8900	12911HP8900	12911HP8900	12911HP8900	12911HP8900	12911HP8900	VALVE, intake	2		
7	12912HP8900	12912HP8900	12912HP8900	12912HP8900	12912HP8900	12912HP8900	12912HP8900	12912HP8900	12912HP8900	VALVE, exhaust	2		
8	12921HP8900	12921HP8900	12921HP8900	12921HP8900	12921HP8900	12921HP8900	12921HP8900	12921HP8900	12921HP8900	SPRING, valve inner	4		
9	12931HP8900	12931HP8900	12931HP8900	12931HP8900	12931HP8900	12931HP8900	12931HP8900	12931HP8900	12931HP8900	RETAINER, valve spring	4		
10	12932HD6300	12932HD6300	12932HD6300	12932HD6300	12932HD6300	12932HD6300	12932HD6300	12932HD6300	12932HD6300	COTTER, valve	8		
11	12892HP8900275	12892HP8900275	12892HP8900275	12892HP8900275	12892HP8900275	12892HP8900275	12892HP8900275	12892HP8900275	12892HP8900275	SHIM, tappet	4		
12	12881HP8900	12881HP8900	12881HP8900	12881HP8900	12881HP8900	12881HP8900	12881HP8900	12881HP8900	12881HP8900	TAPPET,	4		

FIG 11

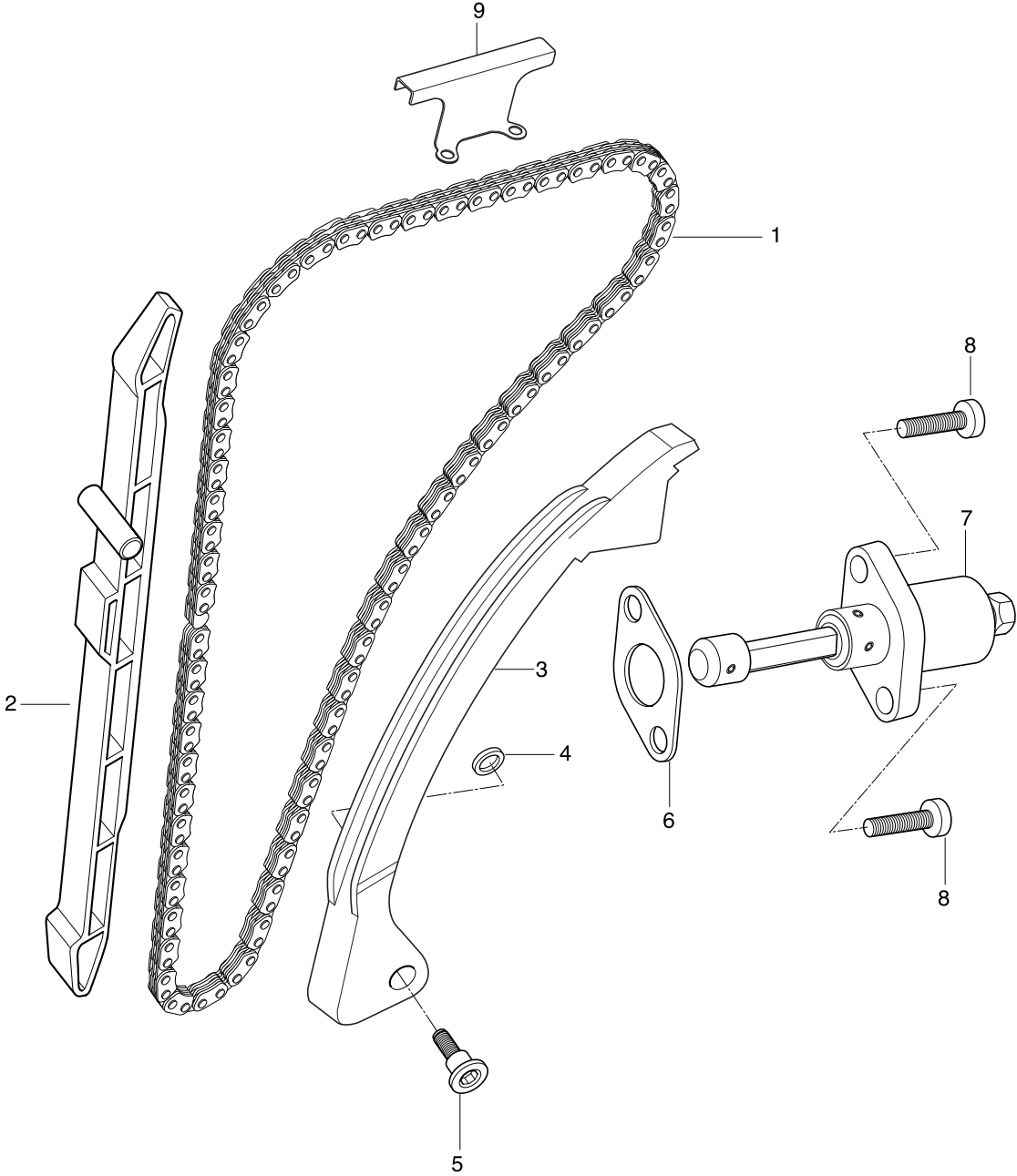


FIG 11. CAM CHAIN

REF. NO.	PART NUMBER								PARTS NAME	Q`TY	REMARKS	REC.Q`TY (PCS)
	REU01	REU03	REU04	REU07	7EN01	7EN02	RF04	RS04				
1	12760HP8900	12760HP8900	12760HP8900	12760HP8900	12760HP8900	12760HP8900	12760HP8900	12760HP8900	CHAIN COMP, camshaft drive	2		8
2	12771HP8900	12771HP8900	12771HP8900	12771HP8900	12771HP8900	12771HP8900	12771HP8900	12771HP8900	GUIDE, camchain NO.1	2		10
3	12811HN9101	12811HN9101	12811HN9101	12811HN9101	12811HN9101	12811HN9101	12811HN9101	12811HN9101	TENSIONER, camchain	2		10
4	08211-06181	08211-06181	08211-06181	08211-06181	08211-06181	08211-06181	08211-06181	08211-06181	WASHER, camchain tensioner bolt	2		
5	12812H35C00	12812H35C00	12812H35C00	12812H35C00	12812H35C00	12812H35C00	12812H35C00	12812H35C00	BOLT, camchain tensioner	1	NOT SALE	
6	12837HP8900	12837HP8900	12837HP8900	12837HP8900	12837HP8900	12837HP8900	12837HP8900	12837HP8900	GASKET, tensioner adjuster	1		10
7	12830HN9120	12830HN9120	12830HN9120	12830HN9120	12830HN9120	12830HN9120	12830HN9120	12830HN9120	ADJUSTER ASS'Y, tensioner	1		10
8	07110-06208	07110-06208	07110-06208	07110-06208	07110-06208	07110-06208	07110-06208	07110-06208	BOLT, tensioner adjuster	2		
9	12782HP8900	12782HP8900	12782HP8900	12782HP8900	12782HP8900	12782HP8900	12782HP8900	12782HP8900	GUIDE, camchain NO.2	1		

FIG 12

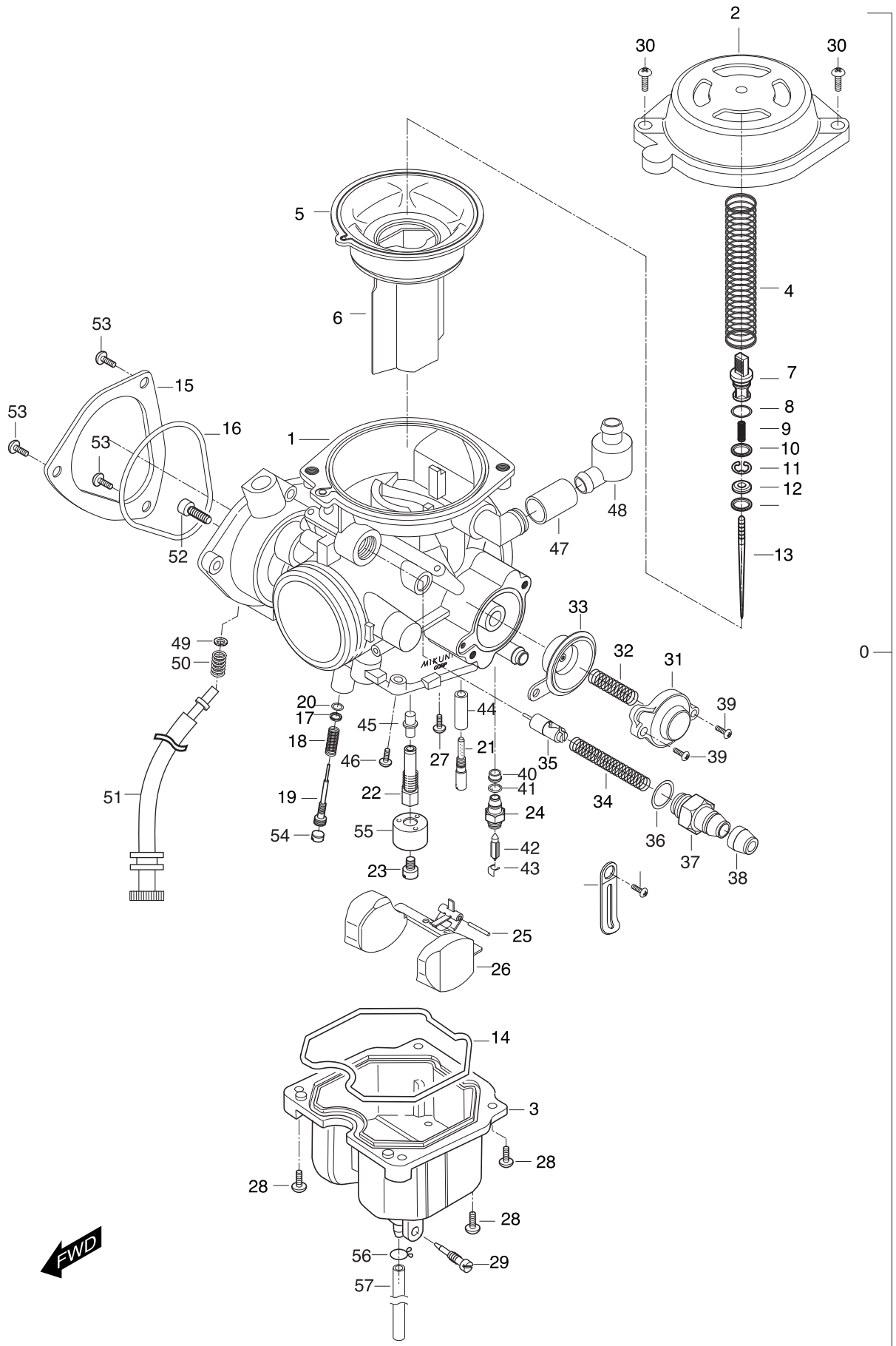


FIG 12. CARBURETOR ASSY

REF. NO.	PART NUMBER								PARTS NAME	Q'TY	REMARKS	REC.Q'TY (PCS)
	REU01	REU03	REU04	REU07	7EN01	7EN02	RF04	RS04				
0	13200HS89A0	13200HS89A0	13200HS89A0	13200HP8900	13200HS89A0	13200HP8900	13200HS89A0	13200HS89A0	CARBURATOR ASS'Y	1		10
*	POWER- UP- KIT											
	13324HP8900	MAIN JET										
	13551HP8900	PISTON VALVE										

FIG 13

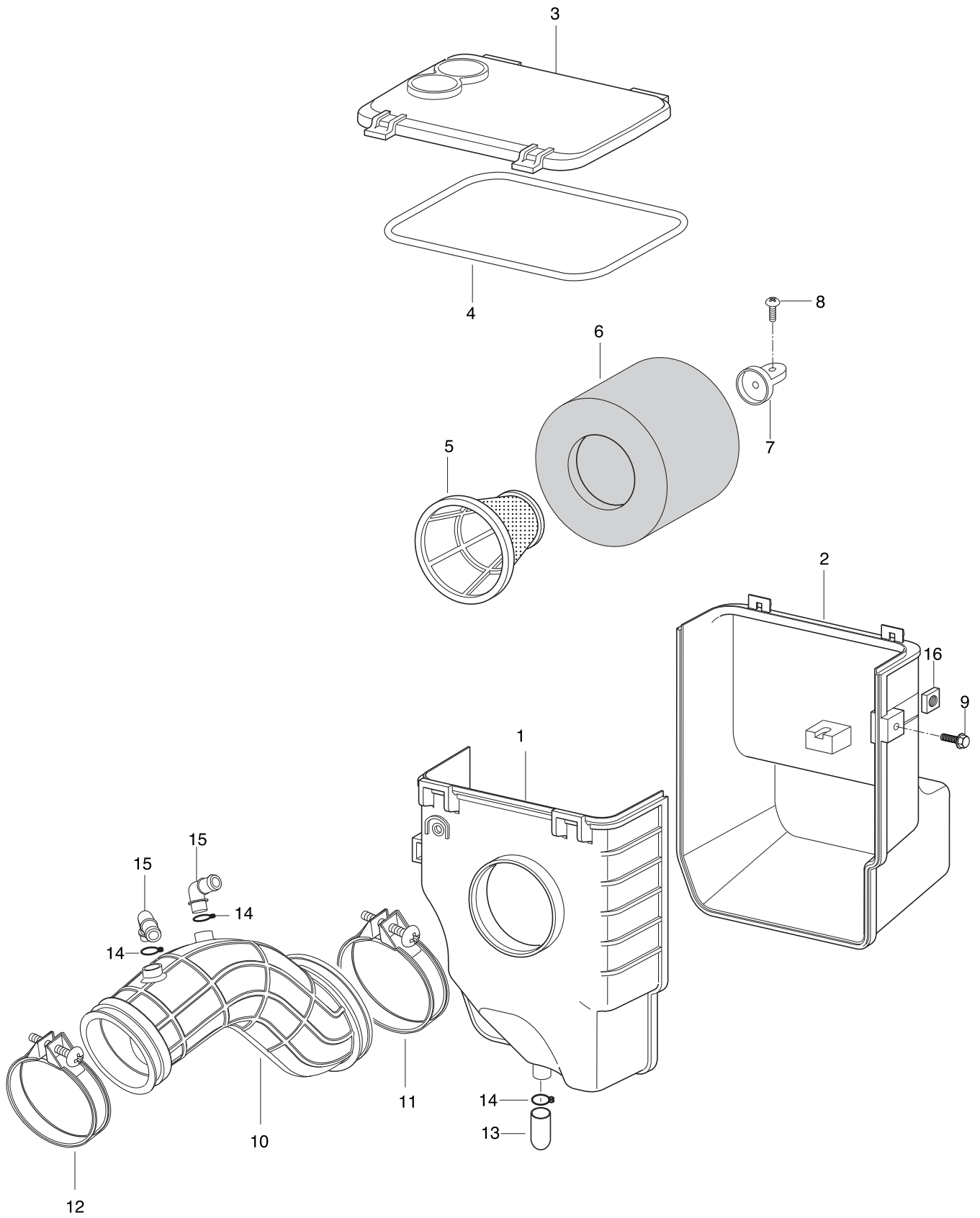


FIG 13. AIR CLEANER & CHAMBER

REF. NO.	PART NUMBER								PARTS NAME	Q'TY	REMARKS	REC.Q'TY (PCS)
	REU01	REU03	REU04	REU07	7EN01	7EN02	RF04	RS04				
0	13700HP8900	13700HP8900	13700HP8900	13700HP8900	13700HP8900	13700HP8900	13700HP8900	13700HP8900	CLEANER ASS'Y, air	1		5
1	13721HP8900	13721HP8900	13721HP8900	13721HP8900	13721HP8900	13721HP8900	13721HP8900	13721HP8900	CASE, air cleaner front	1		
2	13722HP8900	13722HP8900	13722HP8900	13722HP8900	13722HP8900	13722HP8900	13722HP8900	13722HP8900	CASE, air cleaner rear	1		
3	13741HP8900	13741HP8900	13741HP8900	13741HP8900	13741HP8900	13741HP8900	13741HP8900	13741HP8900	CAP, air cleaner	1		
4	13746HP8900	13746HP8900	13746HP8900	13746HP8900	13746HP8900	13746HP8900	13746HP8900	13746HP8900	GASKET, air cleaner	1		
5	13750HP8900	13750HP8900	13750HP8900	13750HP8900	13750HP8900	13750HP8900	13750HP8900	13750HP8900	TRAP COMP, air cleaner	1		
6	13780HP8900	13780HP8900	13780HP8900	13780HP8900	13780HP8900	13780HP8900	13780HP8900	13780HP8900	FILTER COMP, air cleaner	1		
7	13761HP8900	13761HP8900	13761HP8900	13761HP8900	13761HP8900	13761HP8900	13761HP8900	13761HP8900	STOPPER, trap	1		
8	02142-06125	02142-06125	02142-06125	02142-06125	02142-06125	02142-06125	02142-06125	02142-06125	SCREW, air cleaner	1		
9	02142-06165	02142-06165	02142-06165	02142-06165	02142-06165	02142-06165	02142-06165	02142-06165	SCREW, air cleaner	3		
10	13881HP8900	13881HP8900	13881HP8900	13881HP8900	13881HP8900	13881HP8900	13881HP8900	13881HP8900	TUBE, outlet	1		
11	09402-88207	09402-88207	09402-88207	09402-88207	09402-88207	09402-88207	09402-88207	09402-88207	CLAMP, outlet tube	1		
12	09402-68207	09402-68207	09402-68207	09402-68207	09402-68207	09402-68207	09402-68207	09402-68207	CLAMP, outlet tube No.2	1		
13	13895HF4500	13895HF4500	13895HF4500	13895HF4500	13895HF4500	13895HF4500	13895HF4500	13895HF4500	PLUG, drain	1		
14	09401-14301	09401-14301	09401-14301	09401-14301	09401-14301	09401-14301	09401-14301	09401-14301	CLIP, drain plug	3		
15	13870HP8900	13870HP8900	13870HP8900	13870HP8900	13870HP8900	13870HP8900	13870HP8900	13870HP8900	JOINT, breather hose	2		
16	09152H06120	09152H06120	09152H06120	09152H06120	09152H06120	09152H06120	09152H06120	09152H06120	NUT, air cleaner	4		

FIG 14

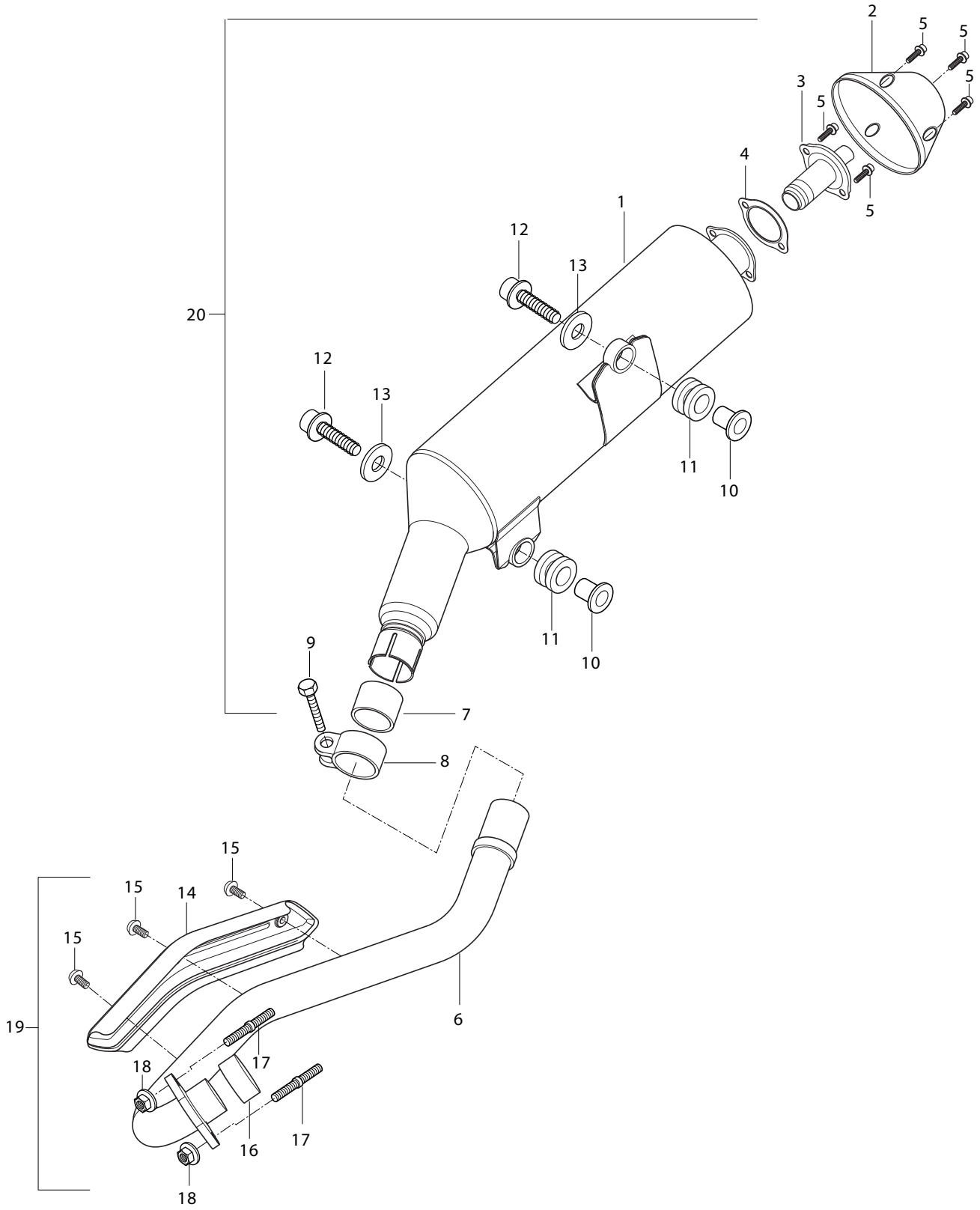


FIG 14. MUFFLER

REF. NO.	PART NUMBER								PARTS NAME	Q'TY	REMARKS	REC.Q'TY (PCS)
	REU01	REU03	REU04	REU07	7EN01	7EN02	RF04	RS04				
1	14310HS89A0	14310HS89A0	14310HS89A0	14310HS89A0	14310HS89A0	14310HS89A0	14310HS89A0	14310HS89A0	BODY COMP, muffler	1		5
2	14790HP8900	14790HP8900	14790HP8900	14790HP8900	14790HP8900	14790HP8900	14790HP8900	14790HP8900	COVER COMP, muffler rear	1		5
3	14810HS89A0	14810HS89A0	14810HS89A0	14810HS89A0	14810HS89A0	14810HS89A0	14810HS89A0	14810HS89A0	PIPE COMP, tail	1		5
4	14821HP8900	14821HP8900	14821HP8900	14821HP8900	14821HP8900	14821HP8900	14821HP8900	14821HP8900	GASKET, tail pipe	1		10
5	09106H06031	09106H06031	09106H06031	09106H06031	09106H06031	09106H06031	09106H06031	09106H06031	BOLT, muffler cover	1		
5-A	09139H06016	09139H06016	09139H06016	09139H06016	09139H06016	09139H06016	09139H06016	09139H06016	BOLT, muffler cover	1		
6	14150HP8900	14150HP8900	14150HP8900	14150HP8900	14150HP8900	14150HP8900	14150HP8900	14150HP8900	PIPE COMP, exhaust	1		5
7	14773HP8900	14773HP8900	14773HP8900	14773HP8900	14773HP8900	14773HP8900	14773HP8900	14773HP8900	GASKET, exhaust connector	1		10
8	14770HP8900	14770HP8900	14770HP8900	14770HP8900	14770HP8900	14770HP8900	14770HP8900	14770HP8900	CONNECTOR COMP, exhaust pipe	1		5
9	07120-08208	07120-08208	07120-08208	07120-08208	07120-08208	07120-08208	07120-08208	07120-08208	BOLT, exhaust pipe connector	1		
10	41160HN9100	41160HN9100	41160HN9100	41160HN9100	41160HN9100	41160HN9100	41160HN9100	41160HN9100	SPACER COMP, muffler support	2		
11	09320H12059	09320H12059	09320H12059	09320H12059	09320H12059	09320H12059	09320H12059	09320H12059	CUSHION, muffler support	2		
12	01517-08468	01517-08468	01517-08468	01517-08468	01517-08468	01517-08468	01517-08468	01517-08468	BOLT, muffler support	2		
13	09160-08002	09160-08002	09160-08002	09160-08002	09160-08002	09160-08002	09160-08002	09160-08002	WASHER, muffler support	2		
14	14280HP8900	14280HP8900	14280HP8900	14280HP8900	14280HP8900	14280HP8900	14280HP8900	14280HP8900	COVER COMP, exhaust	1		
15	09106H06080	09106H06080	09106H06080	09106H06080	09106H06080	09106H06080	09106H06080	09106H06080	BOLT, exhaust cover	6		
16	14181HP8900	14181HP8900	14181HP8900	14181HP8900	14181HP8900	14181HP8900	14181HP8900	14181HP8900	GASKET, exhaust pipe	1		10
17	01421-08258	01421-08258	01421-08258	01421-08258	01421-08258	01421-08258	01421-08258	01421-08258	BOLT, exhaust pipe stud	2		
18	08316-26886	08316-26886	08316-26886	08316-26886	08316-26886	08316-26886	08316-26886	08316-26886	NUT, exhaust pipe	2		
19	14150HP8900PLH	14150HP8900PLH	14150HP8900PLH	14150HP8900PLH	14150HP8900PLH	14150HP8900PLH	14150HP8900PLH	14150HP8900PLH	PIPE COMP, exhaust	1		
20	14301HS89A0PLH	14301HS89A0PLH	14301HS89A0PLH	14301H789B0PLH	14301HS89A0PLH	14301H789B0PLH	14301HS89A0PLH	14301HS89A0PLH	BODY ASS'Y, muffler	1		5

FIG 15

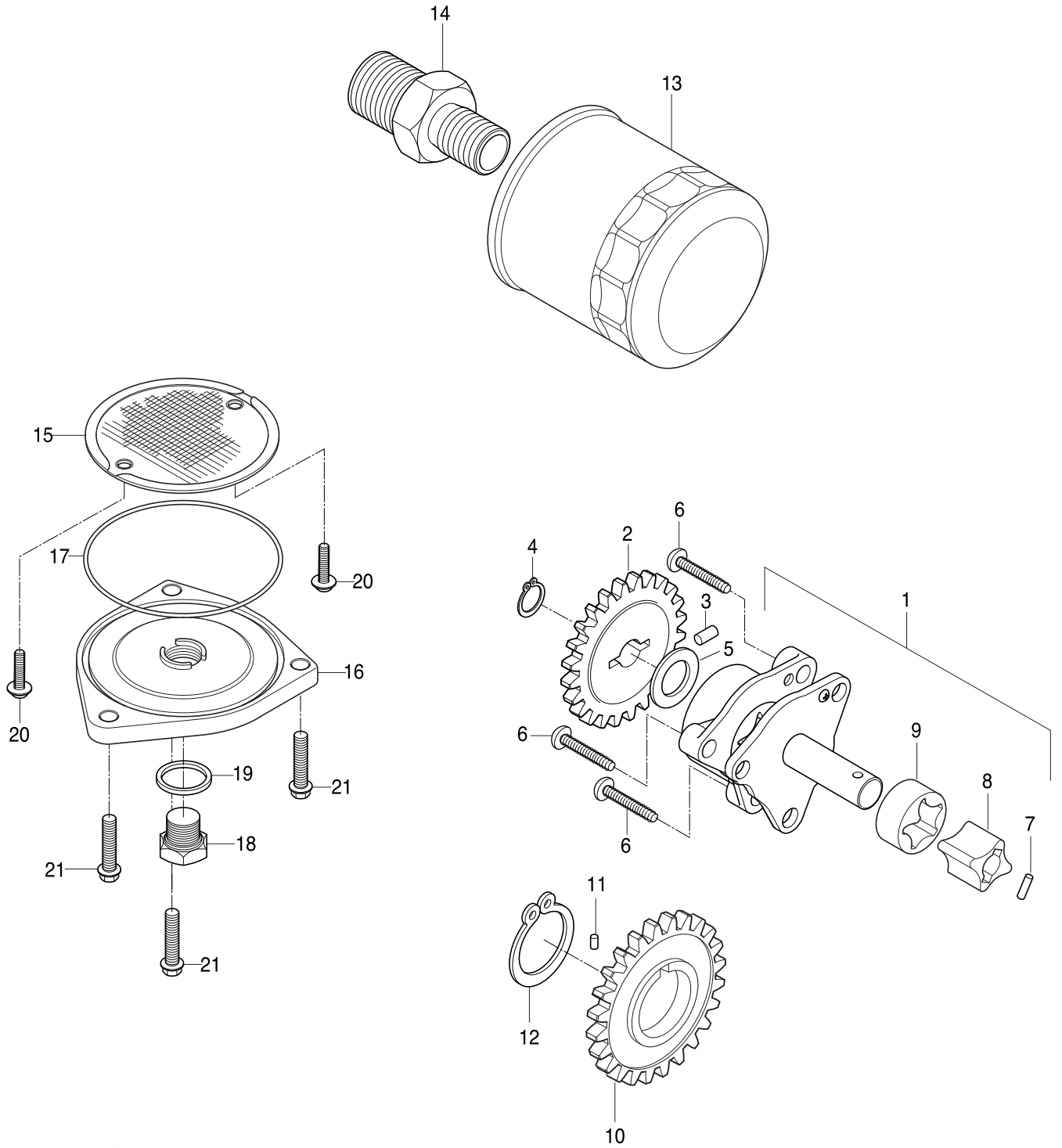


FIG 15. OIL PUMP

REF. NO.	PART NUMBER								PARTS NAME	Q'TY	REMARKS	REC.Q'TY (PCS)
	REU01	REU03	REU04	REU07	7EN01	7EN02	RF04	RS04				
1	16400HP8900	16400HP8900	16400HP8900	16400HP8900	16400HP8900	16400HP8900	16400HP8900	16400HP8900	PUMP ASS'Y, oil	1		10
2	16331HN9104	16331HN9104	16331HN9104	16331HN9104	16331HN9104	16331HN9104	16331HN9104	16331HN9104	GEAR, oil pump driven	1		10
3	09261H04001	09261H04001	09261H04001	09261H04001	09261H04001	09261H04001	09261H04001	09261H04001	PIN, oil pump driven gear	1		20
4	08331-31109	08331-31109	08331-31109	08331-31109	08331-31109	08331-31109	08331-31109	08331-31109	CIRCLIP, oil pump driven gear	1		
5	08221-10185	08221-10185	08221-10185	08221-10185	08221-10185	08221-10185	08221-10185	08221-10185	SHIM, oil pump driver gear	1		
6	02122-06258	02122-06258	02122-06258	02122-06258	02122-06258	02122-06258	02122-06258	02122-06258	SCREW, oil pump	3		
7	09262H04001	09262H04001	09262H04001	09262H04001	09262H04001	09262H04001	09262H04001	09262H04001	PIN, oil pump	1		
8	16441HN9100	16441HN9100	16441HN9100	16441HN9100	16441HN9100	16441HN9100	16441HN9100	16441HN9100	ROTOR, oil pump inner No.1	1		
9	16442HN9100	16442HN9100	16442HN9100	16442HN9100	16442HN9100	16442HN9100	16442HN9100	16442HN9100	ROTOR, oil pump inner No.2	1		
10	16321HN9103	16321HN9103	16321HN9103	16321HN9103	16321HN9103	16321HN9103	16321HN9103	16321HN9103	GEAR, oil pump driven	1		
11	09261-06001	09261-06001	09261-06001	09261-06001	09261-06001	09261-06001	09261-06001	09261-06001	PIN, oil pump driven gear	1		
12	08331-31389	08331-31389	08331-31389	08331-31389	08331-31389	08331-31389	08331-31389	08331-31389	CIRCLIP, oil pump driven gear	1		
13	16510HP8900HAS	16510HP8900HAS	16510HP8900HAS	16510HP8900HAS	16510HP8900HAS	16510HP8900HAS	16510HP8900HAS	16510HP8900HAS	FILTER ASS'Y, engine oil	1		200
14	09362H20001	09362H20001	09362H20001	09362H20001	09362H20001	09362H20001	09362H20001	09362H20001	UNION, engine oil filter	1		
15	16520-05202	16520-05202	16520-05202	16520-05202	16520-05202	16520-05202	16520-05202	16520-05202	STRAINER COMP, engine oil	1		
16	16523-05200	16523-05200	16523-05200	16523-05200	16523-05200	16523-05200	16523-05200	16523-05200	CAP, oil strainer	1		10
17	09280-60005	09280-60005	09280-60005	09280-60005	09280-60005	09280-60005	09280-60005	09280-60005	O-RING, oil strainer cap	1		200
18	09247-14002	09247-14002	09247-14002	09247-14002	09247-14002	09247-14002	09247-14002	09247-14002	PLUG, oil drain	1		
19	09168H14003	09168H14003	09168H14003	09168H14003	09168H14003	09168H14003	09168H14003	09168H14003	GASKET, drain plug	1		
20	09128H05005	09128H05005	09128H05005	09128H05005	09128H05005	09128H05005	09128H05005	09128H05005	SCREW, engine oil strainer	2		
21	01547-06208	01547-06208	01547-06208	01547-06208	01547-06208	01547-06208	01547-06208	01547-06208	BOLT, oil strainer cap	3		

FIG.16

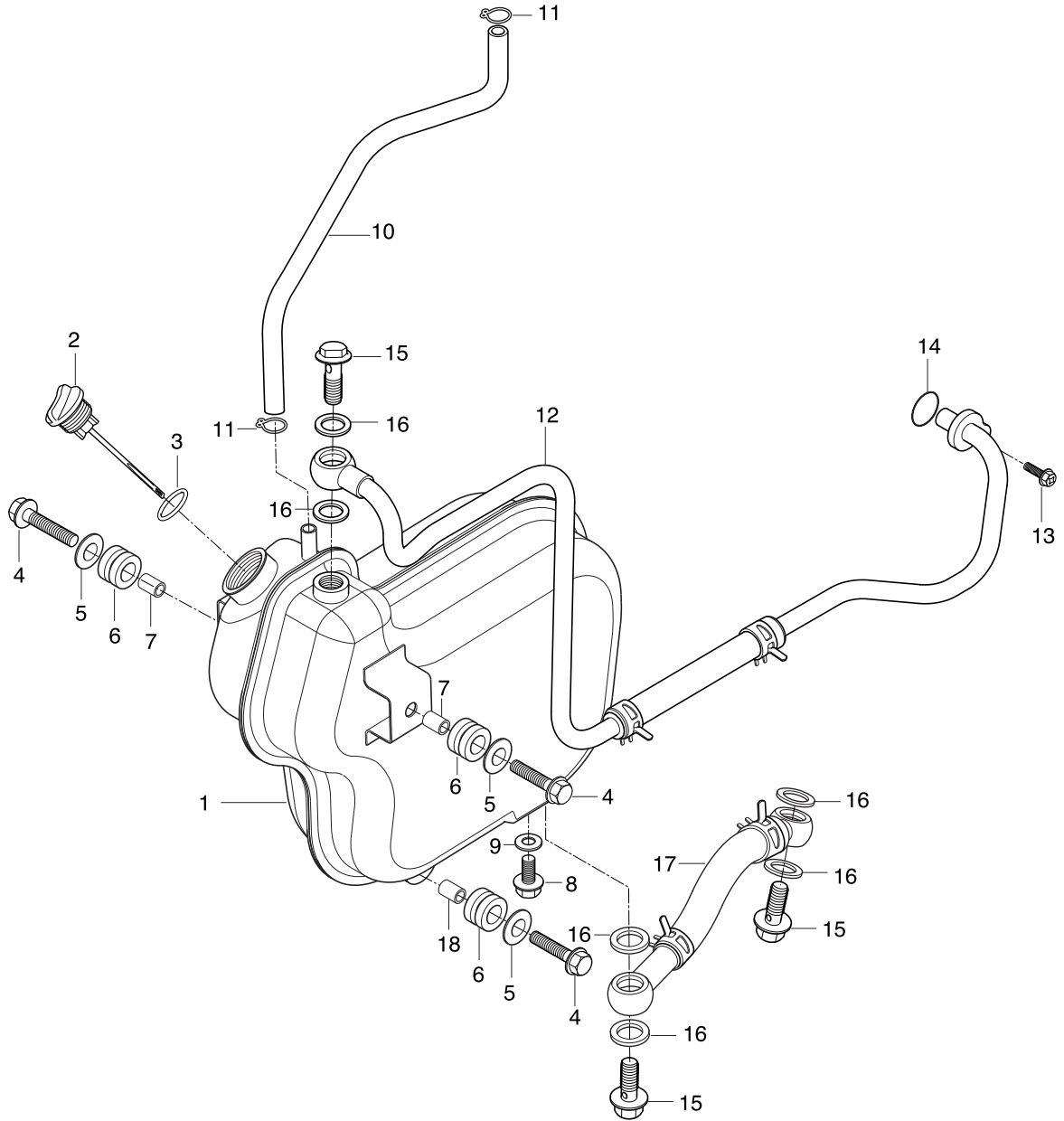


FIG 16. OIL TANK

REF. NO.	PART NUMBER								PARTS NAME	Q`TY	REMARKS	REC.Q'TY (PCS)
	REU01	REU03	REU04	REU07	7EN01	7EN02	RF04	RS04				
1	16610HP8900	16610HP8900	16610HP8900	16610HP8900	16610HP8900	16610HP8900	16610HP8900	16610HP8900	TANK COMP, oil	1		10
2	16621HP8900	16621HP8900	16621HP8900	16621HP8900	16621HP8900	16621HP8900	16621HP8900	16621HP8900	GAUGE, oil level	1		10
3	09280H17003	09280H17003	09280H17003	09280H17003	09280H17003	09280H17003	09280H17003	09280H17003	O-RING, oil level gauge	1		10
4	01104-06258	01104-06258	01104-06258	01104-06258	01104-06258	01104-06258	01104-06258	01104-06258	BOLT, oil tank	3		
5	09160-06006	09160-06006	09160-06006	09160-06006	09160-06006	09160-06006	09160-06006	09160-06006	WASHER, oil tank	3		
6	09320-10015	09320-10015	09320-10015	09320-10015	09320-10015	09320-10015	09320-10015	09320-10015	CUSHION, oil tank	3		
7	09180-06006	09180-06006	09180-06006	09180-06006	09180-06006	09180-06006	09180-06006	09180-06006	SPACER, oil tank	2		
8	01514-08128	01514-08128	01514-08128	01514-08128	01514-08128	01514-08128	01514-08128	01514-08128	BOLT, oil drain	1		
9	09168-08008	09168-08008	09168-08008	09168-08008	09168-08008	09168-08008	09168-08008	09168-08008	GASKET, oil drain	1		10
10	16631HP8900	16631HP8900	16631HP8900	16631HP8900	16631HP8900	16631HP8900	16631HP8900	16631HP8900	HOSE, oil tank overflow	1		
11	09401-10401	09401-10401	09401-10401	09401-10401	09401-10401	09401-10401	09401-10401	09401-10401	CLIP, oil tank overflow hose	2		
12	16460HP8900	16460HP8900	16460HP8900	16460HP8900	16460HP8900	16460HP8900	16460HP8900	16460HP8900	HOSE COMP, oil No.1	1		10
13	07110-06168	07110-06168	07110-06168	07110-06168	07110-06168	07110-06168	07110-06168	07110-06168	BOLT, oil hose No.1	1		
14	09280-10006	09280-10006	09280-10006	09280-10006	09280-10006	09280-10006	09280-10006	09280-10006	O-RING, oil hose No.1	1		10
15	09360H12007	09360H12007	09360H12007	09360H12007	09360H12007	09360H12007	09360H12007	09360H12007	BOLT, oil tank hose union	3		
16	09168-14011	09168-14011	09168-14011	09168-14011	09168-14011	09168-14011	09168-14011	09168-14011	GASKET, oil tank hose	6		15
17	16470HP8900	16470HP8900	16470HP8900	16470HP8900	16470HP8900	16470HP8900	16470HP8900	16470HP8900	HOSE COMP, oil No.2	1		
18	09180-06030	09180-06030	09180-06030	09180-06030	09180-06030	09180-06030	09180-06030	09180-06030	SPACER, oil tank	1		

FIG.17

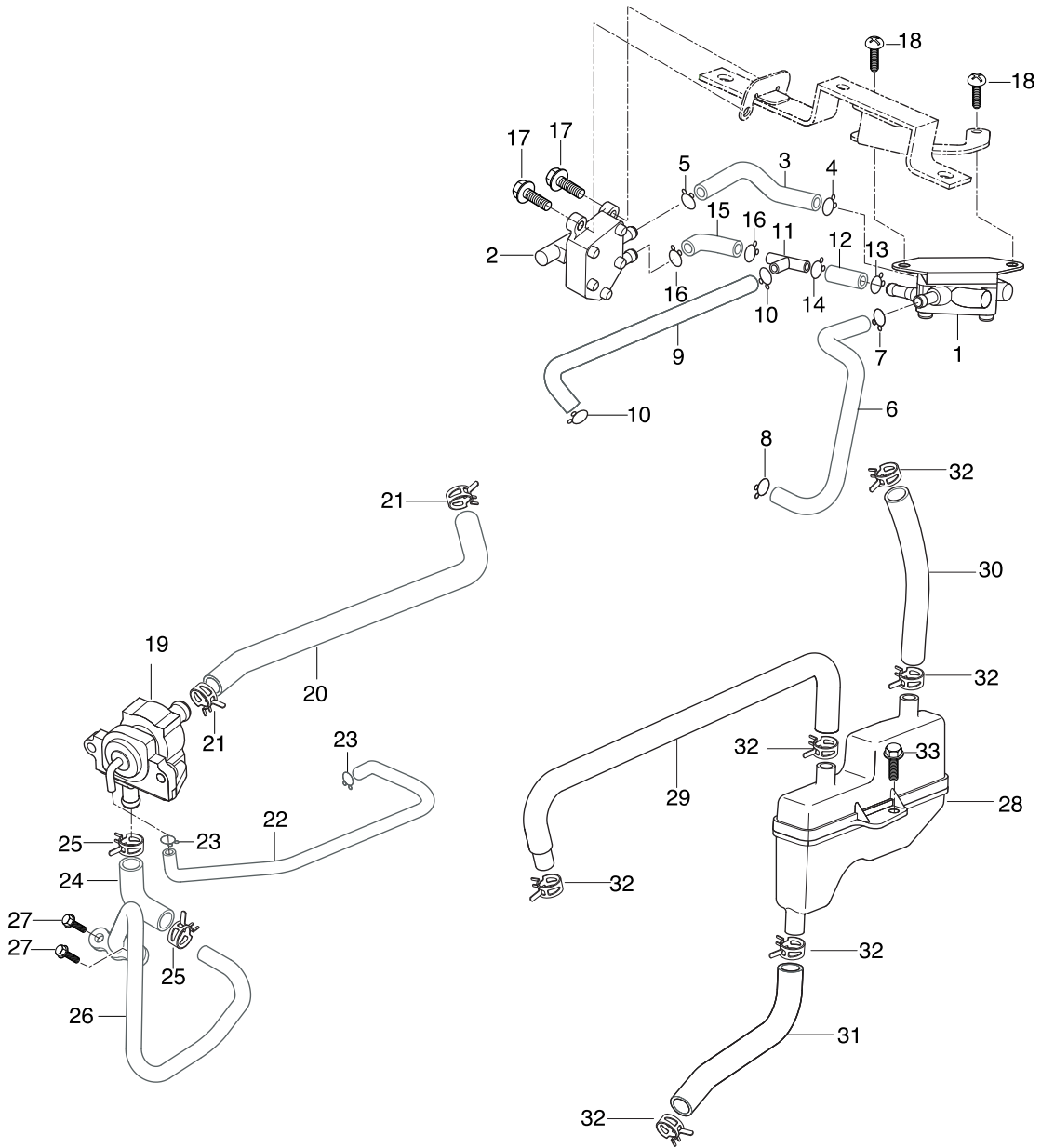


FIG 17. 2ND AIR

REF. NO.	PART NUMBER								PARTS NAME	Q`TY	REMARKS	REC.Q`TY (PCS)
	REU01	REU03	REU04	REU07	7EN01	7EN02	RF04	RS04				
1	15100HG5100	15100HG5100	15100HG5100	15100HG5100	15100HG5100	15100HG5100	15100HG5100	15100HG5100	PUMP ASS'Y, fuel	1		10
2	44300HP8900	44300HP8900	44300HP8900	44300HP8900	44300HP8900	44300HP8900	44300HP8900	44300HP8900	COCK ASS'Y, fuel	1		10
3	44199HF1602	44199HF1602	44199HF1602	44199HF1602	44199HF1602	44199HF1602	44199HF1602	44199HF1602	HOSE, fuel pump inlet	1		
4	09401H11401	09401H11401	09401H11401	09401H11401	09401H11401	09401H11401	09401H11401	09401H11401	CLIP, fuel pump inlet hose No.1	1		
5	09401-10401	09401-10401	09401-10401	09401-10401	09401-10401	09401-10401	09401-10401	09401-10401	CLIP, fuel pump inlet hose No.2	1		
6	15821HP8900	15821HP8900	15821HP8900	15821HP8900	15821HP8900	15821HP8900	15821HP8900	15821HP8900	HOSE, fuel pump outlet	1		
7	09401H11401	09401H11401	09401H11401	09401H11401	09401H11401	09401H11401	09401H11401	09401H11401	CLIP, fuel pump outlet hose No.1	1		
8	09401-10401	09401-10401	09401-10401	09401-10401	09401-10401	09401-10401	09401-10401	09401-10401	CLIP, fuel pump outlet hose No.2	1		
9	15851HP8901	15851HP8901	15851HP8901	15851HP8901	15851HP8901	15851HP8901	15851HP8901	15851HP8901	HOSE, intake pipe RH	1		
10	09401H08401	09401H08401	09401H08401	09401H08401	09401H08401	09401H08401	09401H08401	09401H08401	CLAMP, intake pipe RH hose	2		
11	09367H05001	09367H05001	09367H05001	09367H05001	09367H05001	09367H05001	09367H05001	09367H05001	NIPPLE, fuel pump joint	1		
12	15831HP8900	15831HP8900	15831HP8900	15831HP8900	15831HP8900	15831HP8900	15831HP8900	15831HP8900	HOSE, fuel pump vacuum	1		
13	09401-09101	09401-09101	09401-09101	09401-09101	09401-09101	09401-09101	09401-09101	09401-09101	CLIP, fuel pump vacuum hose No.1	1		
14	09401-08401	09401-08401	09401-08401	09401-08401	09401-08401	09401-08401	09401-08401	09401-08401	CLIP, fuel pump vacuum hose No.2	1		
15	44197HP8900	44197HP8900	44197HP8900	44197HP8900	44197HP8900	44197HP8900	44197HP8900	44197HP8900	HOSE, fuel cock vacuum	1		
16	09401-08401	09401-08401	09401-08401	09401-08401	09401-08401	09401-08401	09401-08401	09401-08401	CLIP, fuel cock vacuum hose	2		
17	02112-06166	02112-06166	02112-06166	02112-06166	02112-06166	02112-06166	02112-06166	02112-06166	BOLT, fuel cock	2		
18	01517-06206	01517-06206	01517-06206	01517-06206	01517-06206	01517-06206	01517-06206	01517-06206	BOLT, fuel pump	2		
19	18500HP8900	18500HP8900	18500HP8900	18500HP8900	18500HP8900	18500HP8900	18500HP8900	18500HP8900	VALVE ASS'Y, 2nd air	1		10
20	18651HP8900	18651HP8900	18651HP8900	18651HP8900	18651HP8900	18651HP8900	18651HP8900	18651HP8900	HOSE, 2nd outlet tube	1		
21	09401H14401	09401H14401	09401H14401	09401H14401	09401H14401	09401H14401	09401H14401	09401H14401	CLAMP, 2nd air outlet tube hose	2		
22	09352-50823	09352-50823	09352-50823	09352-50823	09352-50823	09352-50823	09352-50823	09352-50823	HOSE, 2nd vacuum	1		
23	09401H08401	09401H08401	09401H08401	09401H08401	09401H08401	09401H08401	09401H08401	09401H08401	CLAMP, 2nd vacuum hose	2		
24	18631HP8900	18631HP8900	18631HP8900	18631HP8900	18631HP8900	18631HP8900	18631HP8900	18631HP8900	HOSE, 2nd air pipe	1		
25	09401H13401	09401H13401	09401H13401	09401H13401	09401H13401	09401H13401	09401H13401	09401H13401	CLAMP, 2nd air pipe hose	2		
26	18610HP8900	18610HP8900	18610HP8900	18610HP8900	18610HP8900	18610HP8900	18610HP8900	18610HP8900	PIPE COMP, 2nd air	1		5
27	09128-06005	09128-06005	09128-06005	09128-06005	09128-06005	09128-06005	09128-06005	09128-06005	BOLT, 2nd air pipe	2		
28	16810HP8900	16810HP8900	16810HP8900	16810HP8900	16810HP8900	16810HP8900	16810HP8900	16810HP8900	TANK ASS'Y, breather oil return	1		
29	16821HP8900	16821HP8900	16821HP8900	16821HP8900	16821HP8900	16821HP8900	16821HP8900	16821HP8900	HOSE, breather oil return c/head	1		
30	16841HP8900	16841HP8900	16841HP8900	16841HP8900	16841HP8900	16841HP8900	16841HP8900	16841HP8900	HOSE, breather oil return tube	1		
31	16831HP8900	16831HP8900	16831HP8900	16831HP8900	16831HP8900	16831HP8900	16831HP8900	16831HP8900	HOSE, breather oil return cylinder	1		
32	09401H14401	09401H14401	09401H14401	09401H14401	09401H14401	09401H14401	09401H14401	09401H14401	CLAMP, breather oil return	6		
33	02112-06128	02112-06128	02112-06128	02112-06128	02112-06128	02112-06128	02112-06128	02112-06128	BOLT, breather oil return	1		

FIG.18

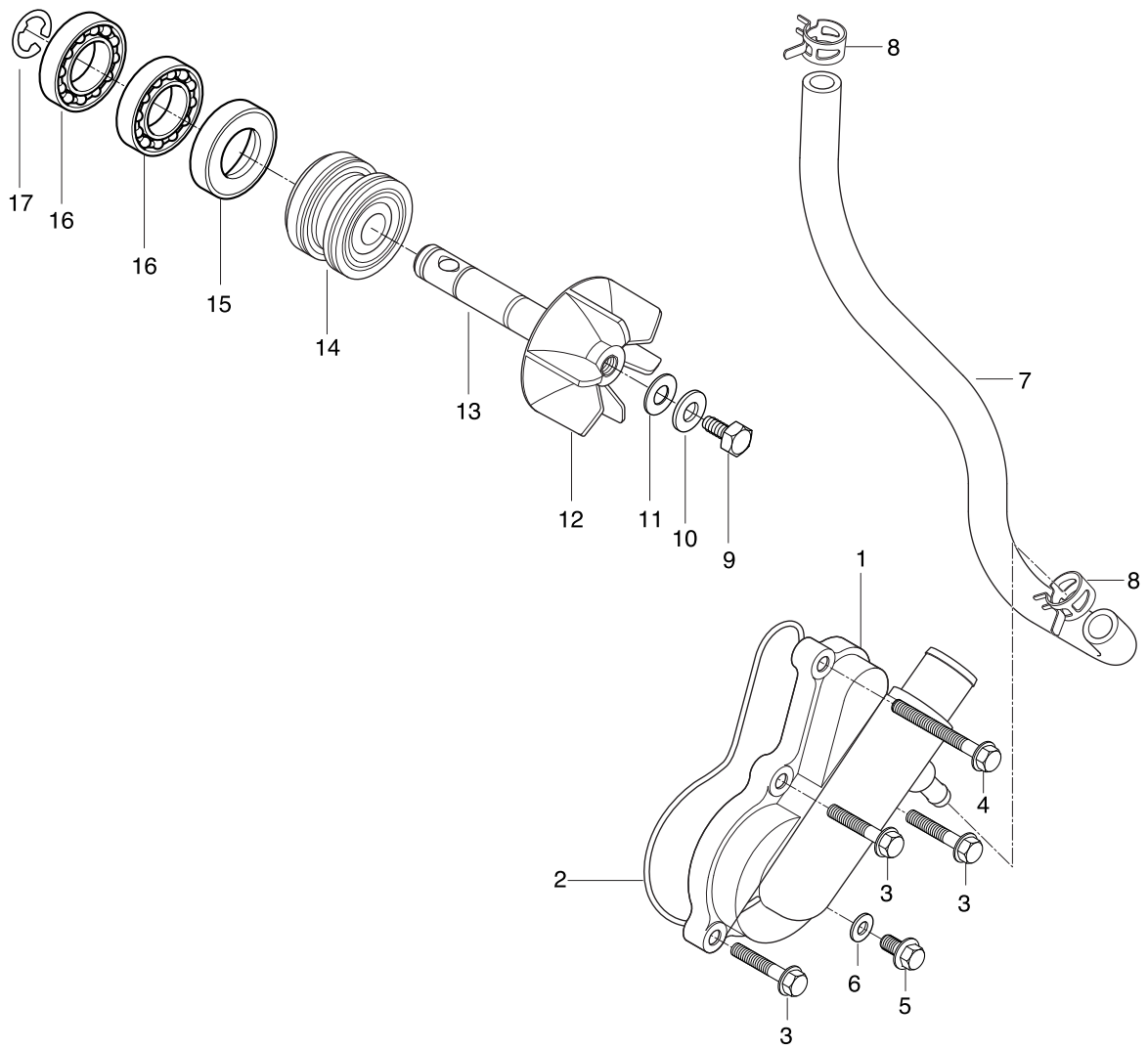


FIG 18. WATER PUMP

REF. NO.	PART NUMBER								PARTS NAME	Q'TY	REMARKS	REC.Q'TY (PCS)
	REU01	REU03	REU04	REU07	7EN01	7EN02	RF04	RS04				
1	17410HP8900	17410HP8900	17410HP8900	17410HP8900	17410HP8900	17410HP8900	17410HP8900	17410HP8900	CASE COMP, water pump	1		20
2	17461HP8900	17461HP8900	17461HP8900	17461HP8900	17461HP8900	17461HP8900	17461HP8900	17461HP8900	O-RING, water pump case	1		20
3	01547-06258	01547-06258	01547-06258	01547-06258	01547-06258	01547-06258	01547-06258	01547-06258	BOLT, water pump case	3		
4	01547-06708	01547-06708	01547-06708	01547-06708	01547-06708	01547-06708	01547-06708	01547-06708	BOLT, water pump case	1		
5	01517-06128	01517-06128	01517-06128	01517-06128	01517-06128	01517-06128	01517-06128	01517-06128	PULG, water drain	1		
6	09168H06019	09168H06019	09168H06019	09168H06019	09168H06019	09168H06019	09168H06019	09168H06019	GASKET, water drain plug	1		
7	17641HP8900	17641HP8900	17641HP8900	17641HP8900	17641HP8900	17641HP8900	17641HP8900	17641HP8900	HOSE, thermostat bypass	1		
8	09401H13401	09401H13401	09401H13401	09401H13401	09401H13401	09401H13401	09401H13401	09401H13401	CLAMP, thermostat bypass hose	2		
9	09100H06001	09100H06001	09100H06001	09100H06001	09100H06001	09100H06001	09100H06001	09100H06001	BOLT, impeller	1		
10	09164H06001	09164H06001	09164H06001	09164H06001	09164H06001	09164H06001	09164H06001	09164H06001	WASHER, impeller rock	1		
11	09168H06001	09168H06001	09168H06001	09168H06001	09168H06001	09168H06001	09168H06001	09168H06001	GASKET, impeller	1		20
12	17441HN9100	17441HN9100	17441HN9100	17441HN9100	17441HN9100	17441HN9100	17441HN9100	17441HN9100	IMPELLER, water pump	1		
13	17432HP8900	17432HP8900	17432HP8900	17432HP8900	17432HP8900	17432HP8900	17432HP8900	17432HP8900	SHAFT, water pump	1		
14	17470HP8900	17470HP8900	17470HP8900	17470HP8900	17470HP8900	17470HP8900	17470HP8900	17470HP8900	SEAL, mechanical	1		
15	09283H10001	09283H10001	09283H10001	09283H10001	09283H10001	09283H10001	09283H10001	09283H10001	SEAL, oil	1		25
16	08113-69000	08113-69000	08113-69000	08113-69000	08113-69000	08113-69000	08113-69000	08113-69000	BEARING, water pump	2		
17	08332-11086	08332-11086	08332-11086	08332-11086	08332-11086	08332-11086	08332-11086	08332-11086	E-RING, water pump	1		

FIG 19

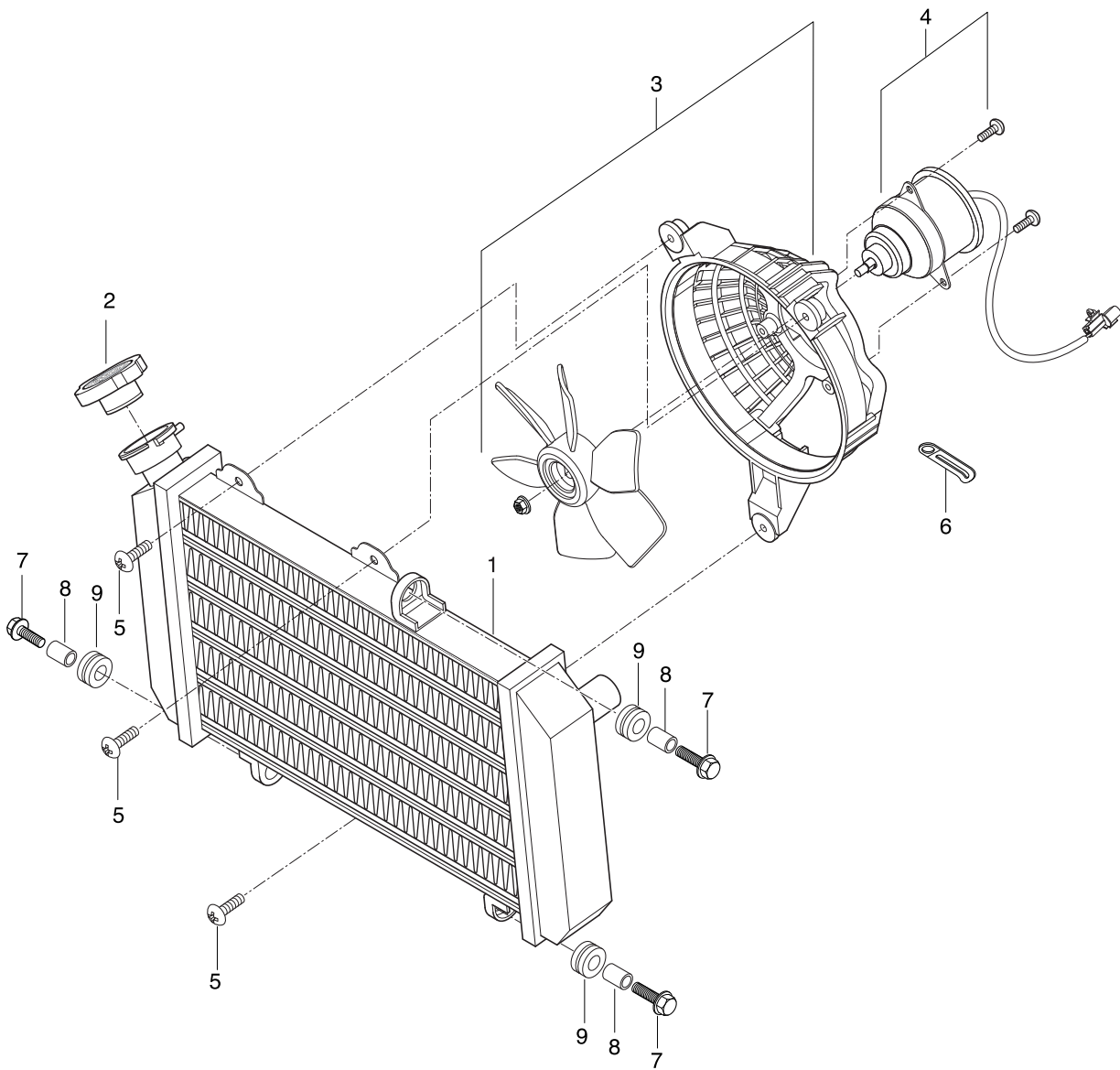


FIG 19. RADIATOR

REF. NO.	PART NUMBER								PARTS NAME	Q`TY	REMARKS	REC.Q`TY (PCS)
	REU01	REU03	REU04	REU07	7EN01	7EN02	RF04	RS04				
1	17710HP8900	17710HP8900	17710HP8900	17710HP8900	17710HP8900	17710HP8900	17710HP8900	17710HP8900	RADIATOR COMP, water	1		10
2	17720HN9100	17720HN9100	17720HN9100	17720HN9100	17720HN9100	17720HN9100	17720HN9100	17720HN9100	CAP COMP, radiator	1		
3	17800HN9102	17800HN9102	17800HN9102	17800HN9102	17800HN9102	17800HN9102	17800HN9102	17800HN9102	FAN ASS'Y, radiator	1		10
4	17810HN9100	17810HN9100	17810HN9100	17810HN9100	17810HN9100	17810HN9100	17810HN9100	17810HN9100	MOTOR ASS'Y, radiator fan	1		10
5	02142-05165	02142-05165	02142-05165	02142-05165	02142-05165	02142-05165	02142-05165	02142-05165	BOLT, radiator fan	3		
6	09404-06401	09404-06401	09404-06401	09404-06401	09404-06401	09404-06401	09404-06401	09404-06401	CLAMP, radiator fan	1		
7	09116-06143	09116-06143	09116-06143	09116-06143	09116-06143	09116-06143	09116-06143	09116-06143	BOLT, radiator	3		
8	09180-06030	09180-06030	09180-06030	09180-06030	09180-06030	09180-06030	09180-06030	09180-06030	SPACER, radiator	3		
9	09320-10015	09320-10015	09320-10015	09320-10015	09320-10015	09320-10015	09320-10015	09320-10015	CUSHION, radiator	3		

FIG.20

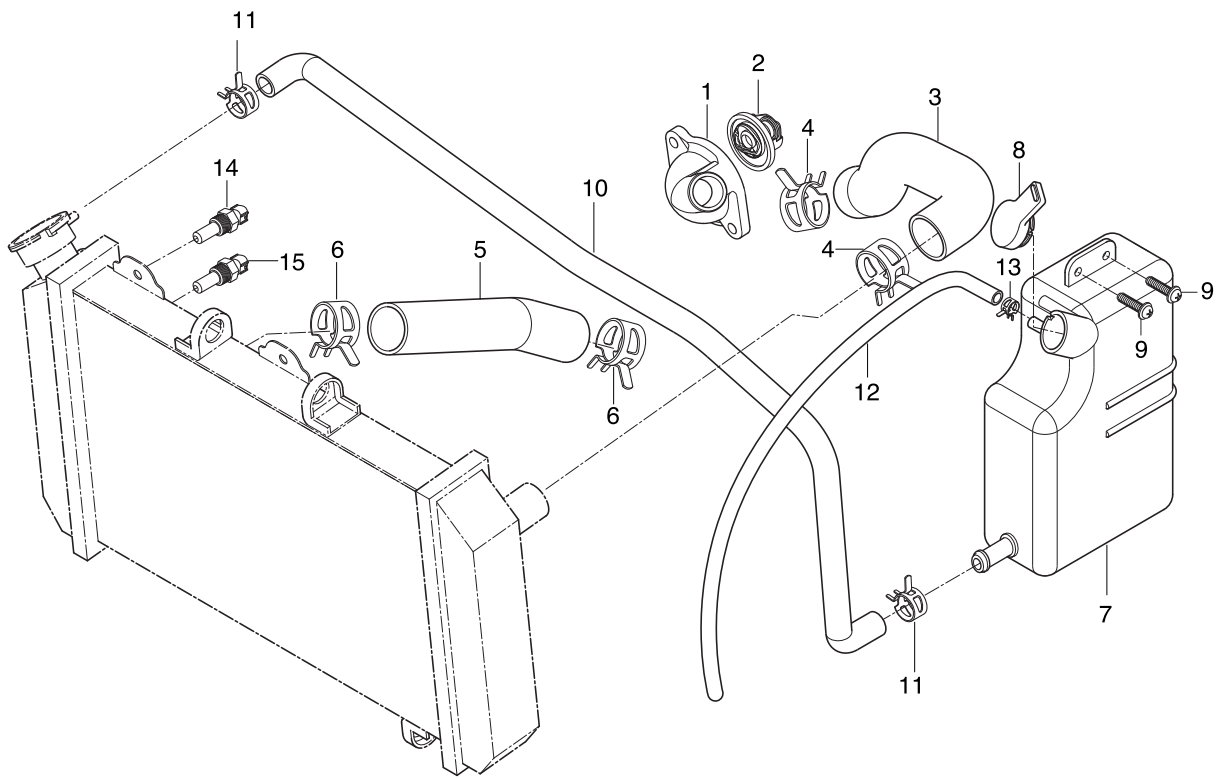


FIG 20. RADIATOR HOSE

REF. NO.	PART NUMBER								PARTS NAME	Q`TY	REMARKS	REC.Q`TY (PCS)
	REU01	REU03	REU04	REU07	7EN01	7EN02	RF04	RS04				
1	17631HP8900	17631HP8900	17631HP8900	17631HP8900	17631HP8900	17631HP8900	17631HP8900	17631HP8900	CAP, thermostat connector	1		10
2	17610HP8900	17610HP8900	17610HP8900	17610HP8900	17610HP8900	17610HP8900	17610HP8900	17610HP8900	THERMOSTAT COMP	1		
3	17741HP8900	17741HP8900	17741HP8900	17741HP8900	17741HP8900	17741HP8900	17741HP8900	17741HP8900	HOSE, radiator inlet	1		
4	09401H26402	09401H26402	09401H26402	09401H26402	09401H26402	09401H26402	09401H26402	09401H26402	CLAMP, radiator inlet hose	2		
5	17751HP8900	17751HP8900	17751HP8900	17751HP8900	17751HP8900	17751HP8900	17751HP8900	17751HP8900	HOSE, radiator inlet	1		
6	09401H26402	09401H26402	09401H26402	09401H26402	09401H26402	09401H26402	09401H26402	09401H26402	CLAMP, radiator inlet hose	2		
7	17911HP8900	17911HP8900	17911HP8900	17911HP8900	17911HP8900	17911HP8900	17911HP8900	17911HP8900	TANK COMP, reserver	1		
8	17921HN9100	17921HN9100	17921HN9100	17921HN9100	17921HN9100	17921HN9100	17921HN9100	17921HN9100	CAP, reserver tank	1		
9	09136-06017	09136-06017	09136-06017	09136-06017	09136-06017	09136-06017	09136-06017	09136-06017	SCREW, reserver tank	2		
10	17981HP8900	17981HP8900	17981HP8900	17981HP8900	17981HP8900	17981HP8900	17981HP8900	17981HP8900	HOSE, radiator tank outlet	1		
11	09401H11403	09401H11403	09401H11403	09401H11403	09401H11403	09401H11403	09401H11403	09401H11403	CLAMP, reserver tank hose	2		
12	17982HP8900	17982HP8900	17982HP8900	17982HP8900	17982HP8900	17982HP8900	17982HP8900	17982HP8900	HOSE, reserver tank overflow	1		
13	09401H11403	09401H11403	09401H11403	09401H11403	09401H11403	09401H11403	09401H11403	09401H11403	CLAMP, reserver tank hose	1		
14	17860HP8900	17860HP8900	17860HP8900	17860HP8900	17860HP8900	17860HP8900	17860HP8900	17860HP8900	SWITCH ASSY, water temp	1		5
15	17860HN9100	17860HN9100	17860HN9100	17860HN9100	17860HN9100	17860HN9100	17860HN9100	17860HN9100	SWITCH ASSY, thermo	1		

FIG 21

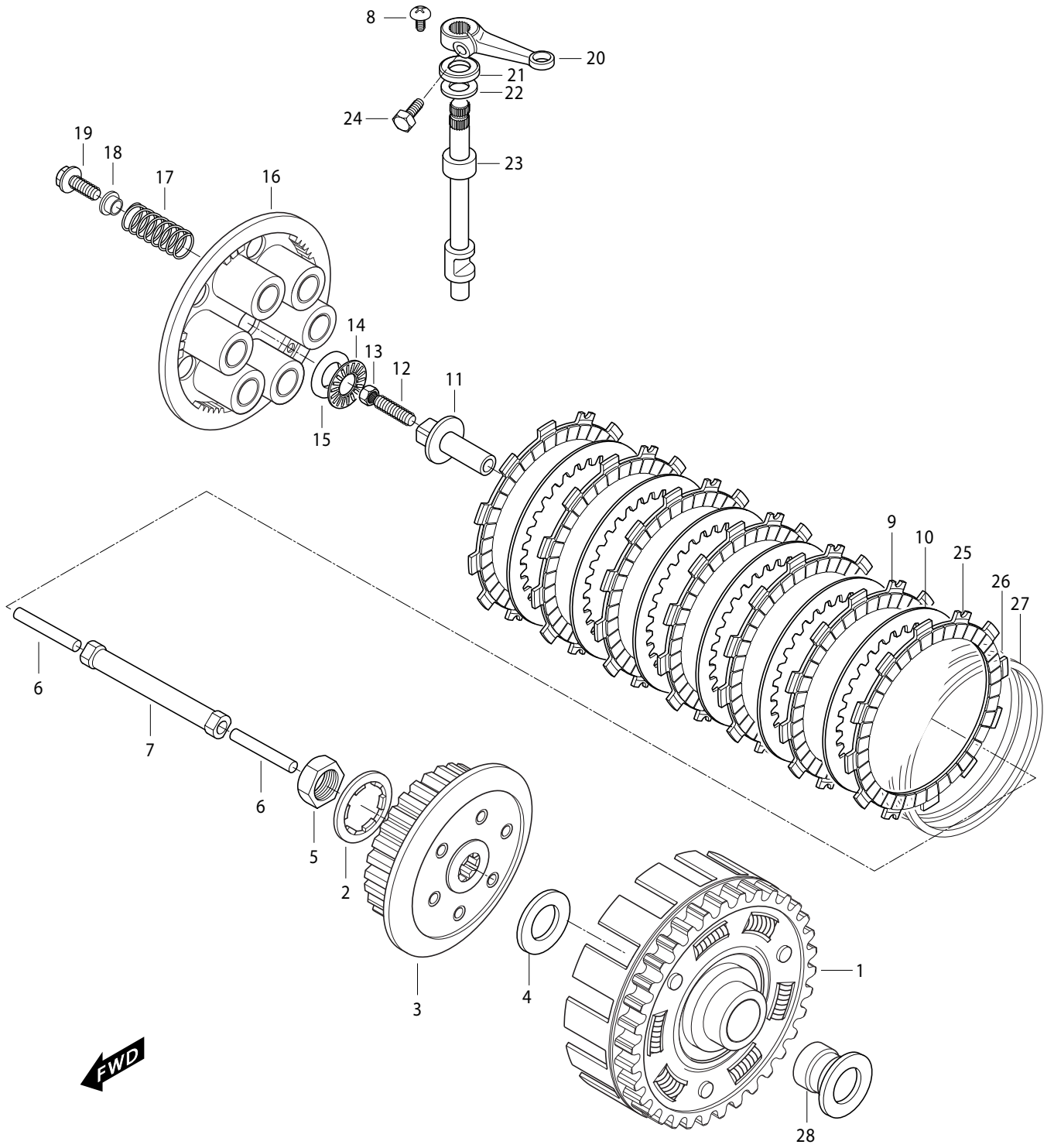


FIG 21. CLUTCH ASSY

REF. NO.	PART NUMBER								PARTS NAME	Q`TY	REMARKS	REC.Q`TY (PCS)
	REU01	REU03	REU04	REU07	7EN01	7EN02	RF04	RS04				
1	21200HP8900HPA	21200HP8900HPA	21200HP8900HPA	21200HP8900HPA	21200HP8900HPA	21200HP8900HPA	21200HP8900HPA	21200HP8900HPA	GEAR ASS'Y, primary driven	1		5
2	09160H20002	09160H20002	09160H20002	09160H20002	09160H20002	09160H20002	09160H20002	09160H20002	WASHER, clutch sleeve hub thrust	1		20
3	21411HN9102	21411HN9102	21411HN9102	21411HN9102	21411HN9102	21411HN9102	21411HN9102	21411HN9102	HUB, clutch sleeve	1		5
4	09160H20002	09160H20002	09160H20002	09160H20002	09160H20002	09160H20002	09160H20002	09160H20002	WASHER, primary driven gear thrust	1		5
5	09140H20001	09140H20001	09140H20001	09140H20001	09140H20001	09140H20001	09140H20001	09140H20001	NUT, clutch sleeve hub	1		5
6	23114HN9100	23114HN9100	23114HN9100	23114HN9100	23114HN9100	23114HN9100	23114HN9100	23114HN9100	ROD, clutch push	2		10
7	23110HP8900	23110HP8900	23110HP8900	23110HP8900	23110HP8900	23110HP8900	23110HP8900	23110HP8900	ROD COMP, clutch push M	1		10
8	09136-06017	09136-06017	09136-06017	09136-06017	09136-06017	09136-06017	09136-06017	09136-06017	STOPPER, clutch release camshaft oi	1		10
9	21441HN9100	21441HN9100	21441HN9100	21441HN9100	21441HN9100	21441HN9100	21441HN9100	21441HN9100	PLATE, clutch drive	6		50
10	21451HN9100	21451HN9100	21451HN9100	21451HN9100	21451HN9100	21451HN9100	21451HN9100	21451HN9100	PLATE, clutch driven	6		50
11	23121-38201	23121-38201	23121-38201	23121-38201	23121-38201	23121-38201	23121-38201	23121-38201	PIECE, clutch push	1		10
12	09134-06010	09134-06010	09134-06010	09134-06010	09134-06010	09134-06010	09134-06010	09134-06010	SCREW, clutch release adjuster	1		10
13	08310-22068	08310-22068	08310-22068	08310-22068	08310-22068	08310-22068	08310-22068	08310-22068	NUT, clutch release adjust	1		10
14	09263H15001	09263H15001	09263H15001	09263H15001	09263H15001	09263H15001	09263H15001	09263H15001	BEARING, clutch release thrust	1		10
15	09160-15045	09160-15045	09160-15045	09160-15045	09160-15045	09160-15045	09160-15045	09160-15045	WASHER, clutch release thrust	1		10
16	21462HN9101	21462HN9101	21462HN9101	21462HN9101	21462HN9101	21462HN9101	21462HN9101	21462HN9101	DISK, clutch pressure	1		8
17	09440H20003	09440H20003	09440H20003	09440H20003	09440H20003	09440H20003	09440H20003	09440H20003	SPRING, clutch	6		10
18	21471HN9102	21471HN9102	21471HN9102	21471HN9102	21471HN9102	21471HN9102	21471HN9102	21471HN9102	RETAINER, clutch spring	6		10
19	09100H06009	09100H06009	09100H06009	09100H06009	09100H06009	09100H06009	09100H06009	09100H06009	BOLT, clutch spring	6		10
20	23271HP8900	23271HP8900	23271HP8900	23271HP8900	23271HP8900	23271HP8900	23271HP8900	23271HP8900	ARM, clutch release	1		10
21	09282H12002	09282H12002	09282H12002	09282H12002	09282H12002	09282H12002	09282H12002	09282H12002	OIL SEAL, clutch release camshaft	1		30
22	08211-12281	08211-12281	08211-12281	08211-12281	08211-12281	08211-12281	08211-12281	08211-12281	THRUST WASHER, clutch release c	1		10
23	23122HP8900	23122HP8900	23122HP8900	23122HP8900	23122HP8900	23122HP8900	23122HP8900	23122HP8900	SHAFT, clutch release cam	1		10
24	01107-06208	01107-06208	01107-06208	01107-06208	01107-06208	01107-06208	01107-06208	01107-06208	BOLT, clutch release arm	1		10
25	21442HN9100	21442HN9100	21442HN9100	21442HN9100	21442HN9100	21442HN9100	21442HN9100	21442HN9100	PLATE, clutch driven No.2	1		10
26	21443HN9100	21443HN9100	21443HN9100	21443HN9100	21443HN9100	21443HN9100	21443HN9100	21443HN9100	WASHER, clutch wave	1		10
27	21444HN9100	21444HN9100	21444HN9100	21444HN9100	21444HN9100	21444HN9100	21444HN9100	21444HN9100	SEAT, clutch wave washer	1		10
28	21251HP8900	21251HP8900	21251HP8900	21251HP8900	21251HP8900	21251HP8900	21251HP8900	21251HP8900	SPACER, primary driven gear	1		10

FIG.22

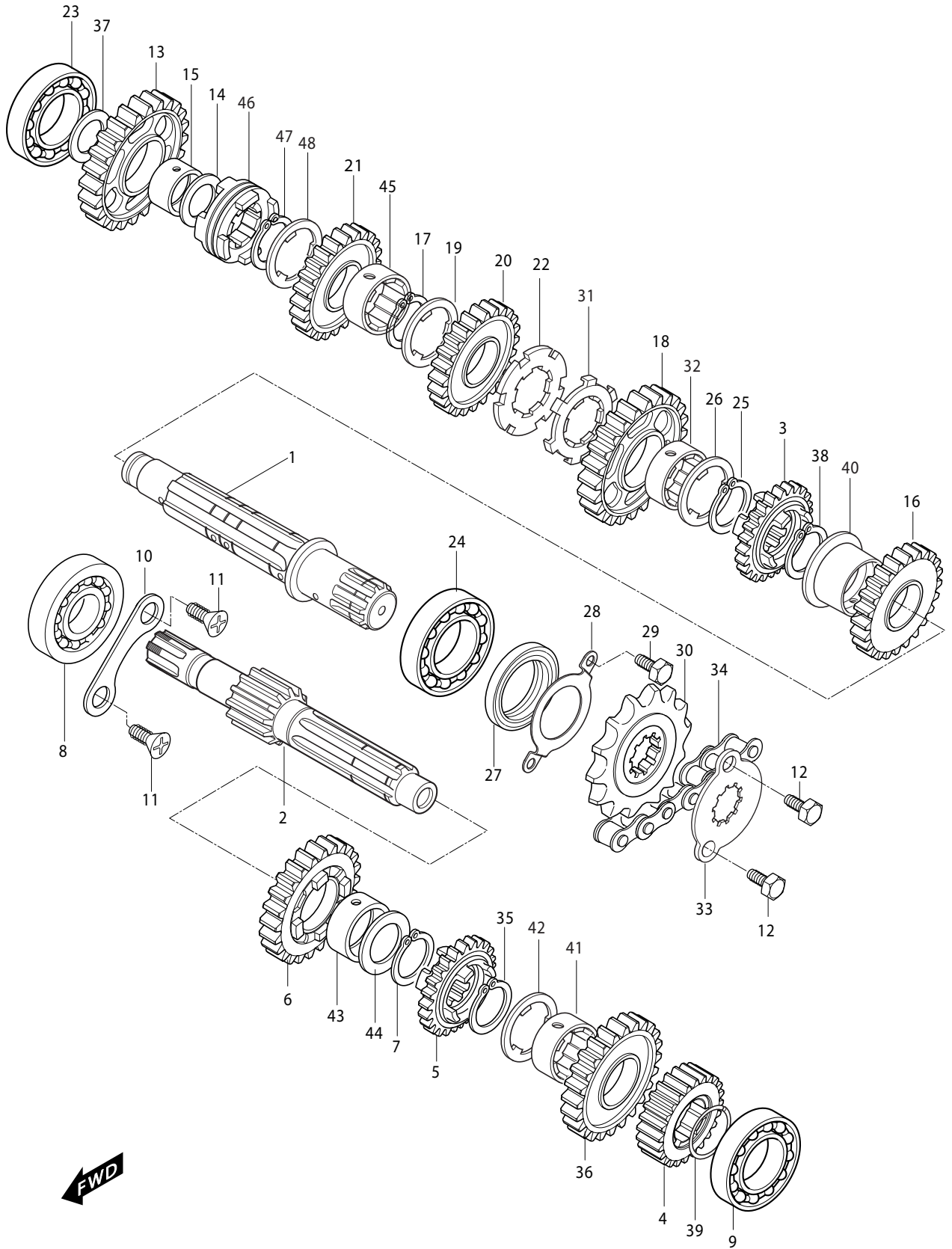


FIG 22. TRANSMISSION

REF. NO.	PART NUMBER								PARTS NAME	Q'TY	REMARKS	REC.Q'TY (PCS)
	REU01	REU03	REU04	REU07	7EN01	7EN02	RF04	RS04				
0	24200HP8900HPA	24200HP8900HPA	24200HP8900HPA	24200HP8900HPA	24200HP8900HPA	24200HP8900HPA	24200HP8900HPA	24200HP8900HPA	MISSION GR SET	1		
1	24130SP8900HPA	24130SP8900HPA	24130SP8900HPA	24130SP8900HPA	24130SP8900HPA	24130SP8900HPA	24130SP8900HPA	24130SP8900HPA	SHAFT COMP, drive	1		5
2	24120HP8900HPA	24120HP8900HPA	24120HP8900HPA	24120HP8900HPA	24120HP8900HPA	24120HP8900HPA	24120HP8900HPA	24120HP8900HPA	SHAFT ASS'Y, counter	1		5
3	24341HP8900	24341HP8900	24341HP8900	24341HP8900	24341HP8900	24341HP8900	24341HP8900	24341HP8900	GEAR, 4th driven	1		8
4	24221HP8900	24221HP8900	24221HP8900	24221HP8900	24221HP8900	24221HP8900	24221HP8900	24221HP8900	GEAR, 2nd drive	1		8
5	24231HP8900	24231HP8900	24231HP8900	24231HP8900	24231HP8900	24231HP8900	24231HP8900	24231HP8900	GEAR, 3rd drive	1		8
6	24251HP8900	24251HP8900	24251HP8900	24251HP8900	24251HP8900	24251HP8900	24251HP8900	24251HP8900	GEAR, 5th drive	1		8
7	09380H25001	09380H25001	09380H25001	09380H25001	09380H25001	09380H25001	09380H25001	09380H25001	CIRCLIP, 5th drive gear	1		10
8	08113-63040	08113-63040	08113-63040	08113-63040	08113-63040	08113-63040	08113-63040	08113-63040	BEARING, counter shaft R(#6304)	1		10
9	08123-62030	08123-62030	08123-62030	08123-62030	08123-62030	08123-62030	08123-62030	08123-62030	BEARING, counter shaft L	1		10
10	24741HP8900	24741HP8900	24741HP8900	24741HP8900	24741HP8900	24741HP8900	24741HP8900	24741HP8900	RETAINER, counter shaft bearing	1		10
11	02112-06128	02112-06128	02112-06128	02112-06128	02112-06128	02112-06128	02112-06128	02112-06128	SCREW, counter shaft bearing rtng	2		10
12	01517-06128	01517-06128	01517-06128	01517-06128	01517-06128	01517-06128	01517-06128	01517-06128	BOLT, engine sprocket	2		10
13	24311HP8900	24311HP8900	24311HP8900	24311HP8900	24311HP8900	24311HP8900	24311HP8900	24311HP8900	GEAR, 1st driven	1		10
14	09181H20001	09181H20001	09181H20001	09181H20001	09181H20001	09181H20001	09181H20001	09181H20001	SHIM, 1st driven gear	1		10
15	24312HP8900	24312HP8900	24312HP8900	24312HP8900	24312HP8900	24312HP8900	24312HP8900	24312HP8900	BUSH, 1st driven gear	1		10
16	24321HP8900	24321HP8900	24321HP8900	24321HP8900	24321HP8900	24321HP8900	24321HP8900	24321HP8900	GEAR, 2nd drive	1		10
17	09380H25001	09380H25001	09380H25001	09380H25001	09380H25001	09380H25001	09380H25001	09380H25001	CIRCLIP, 4th driven gear	1		10
18	24331HP8900	24331HP8900	24331HP8900	24331HP8900	24331HP8900	24331HP8900	24331HP8900	24331HP8900	GEAR, 3rd driven	1		10
19	09167H25001	09167H25001	09167H25001	09167H25001	09167H25001	09167H25001	09167H25001	09167H25001	THRUST WASHER, 4th driven gear	1		10
20	24351HP8900	24351HP8900	24351HP8900	24351HP8900	24351HP8900	24351HP8900	24351HP8900	24351HP8900	GEAR, 5th driven	1		10
21	24521HP8900	24521HP8900	24521HP8900	24521HP8900	24521HP8900	24521HP8900	24521HP8900	24521HP8900	GEAR, reverse driven	1		10
22	09167H25002	09167H25002	09167H25002	09167H25002	09167H25002	09167H25002	09167H25002	09167H25002	WASHER, 3rd & 4th driven gear th	1		10
23	08113-62030	08113-62030	08113-62030	08113-62030	08113-62030	08113-62030	08113-62030	08113-62030	BEARING, drive shaft R	1		10
24	08123-63050	08123-63050	08123-63050	08123-63050	08123-63050	08123-63050	08123-63050	08123-63050	BEARING, drive shaft L	1		10
25	09380H25001	09380H25001	09380H25001	09380H25001	09380H25001	09380H25001	09380H25001	09380H25001	CIRCLIP, 3rd driven gear	1		10
26	09167H25001	09167H25001	09167H25001	09167H25001	09167H25001	09167H25001	09167H25001	09167H25001	THRUST WASHER, 3rd driven gear	1		10
27	09283H25003	09283H25003	09283H25003	09283H25003	09283H25003	09283H25003	09283H25003	09283H25003	OIL SEAL, drive shaft	1		30
28	24751HP8900	24751HP8900	24751HP8900	24751HP8900	24751HP8900	24751HP8900	24751HP8900	24751HP8900	RETAINER, drive shaft oil seal	1		5

FIG.22

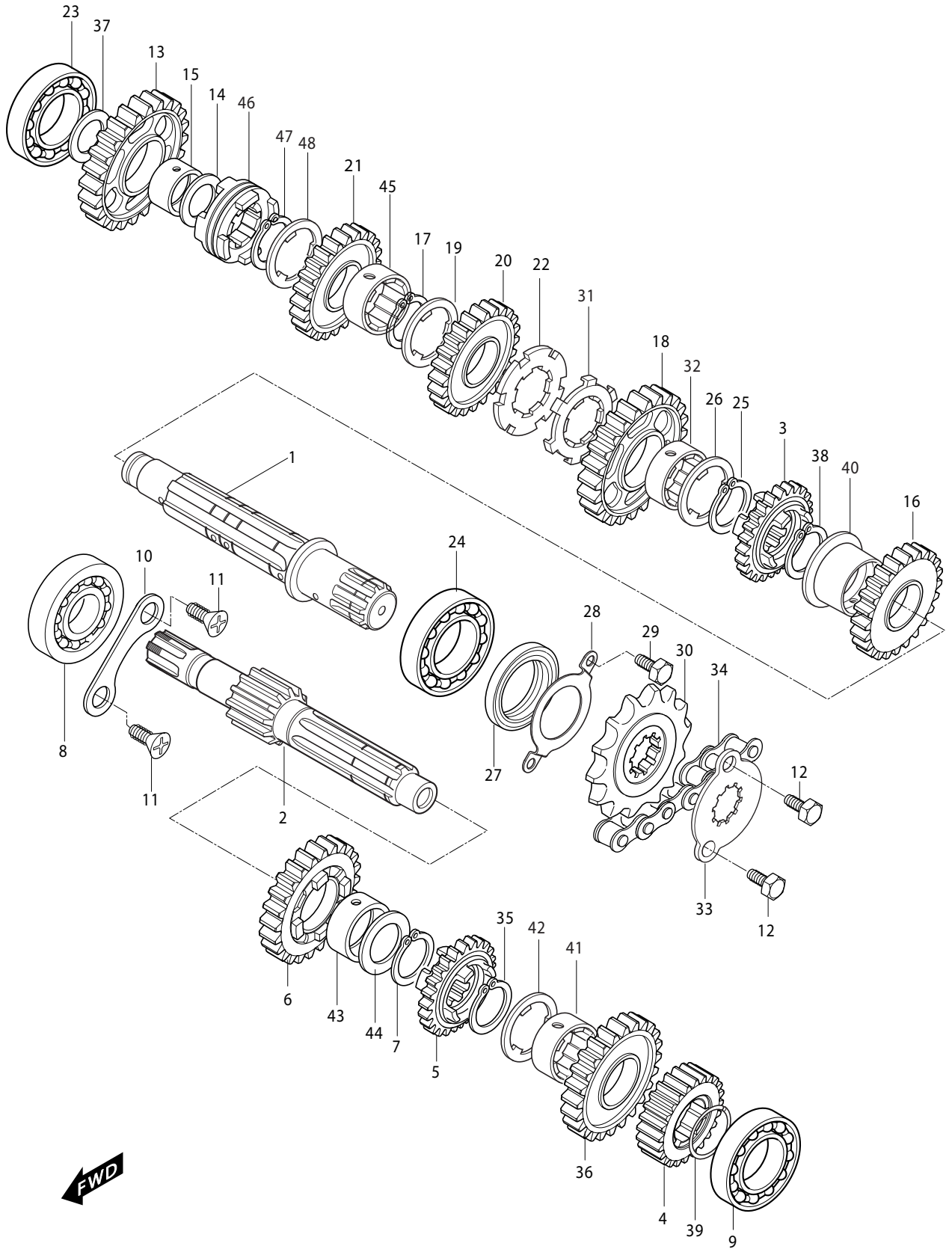


FIG 22. TRANSMISSION

REF. NO.	PART NUMBER								PARTS NAME	Q`TY	REMARKS	REC.Q'TY (PCS)
	REU01	REU03	REU04	REU07	7EN01	7EN02	RF04	RS04				
29	01107-06106	01107-06106	01107-06106	01107-06106	01107-06106	01107-06106	01107-06106	01107-06106	01107-06106	BOLT, drive shaft oil seal retainer	2	10
30	27511HP8900	27511HP8900	27511HP8900	27511HP8900	27511HP8900	27511HP8900	27511HP8900	27511HP8900	27511HP8900	SPROCKET COMP, engine 14T(#52)	1	30
31	09167H25003	09167H25003	09167H25003	09167H25003	09167H25003	09167H25003	09167H25003	09167H25003	09167H25003	WASHER, thrust washer lock	1	10
32	24332HN9100	24332HN9100	24332HN9100	24332HN9100	24332HN9100	24332HN9100	24332HN9100	24332HN9100	24332HN9100	BUSH, 3rd driven gear	1	10
33	27512HP8900	27512HP8900	27512HP8900	27512HP8900	27512HP8900	27512HP8900	27512HP8900	27512HP8900	27512HP8900	LOCK WASHER, engine sprocket	1	10
34	27600HP8900	27600HP8900	27600HP8900	27600HP8900	27600HP8900	27600HP8900	27600HP8900	27600HP8900	27600HP8900	CHAIN ASS'Y, drive 108L(#525)	1	10
35	09380H25001	09380H25001	09380H25001	09380H25001	09380H25001	09380H25001	09380H25001	09380H25001	09380H25001	.CILCLIP, 6th driven gear	1	10
36	24241HP8900	24241HP8900	24241HP8900	24241HP8900	24241HP8900	24241HP8900	24241HP8900	24241HP8900	24241HP8900	GEAR, 4th drive	1	10
37	09181H17001	09181H17001	09181H17001	09181H17001	09181H17001	09181H17001	09181H17001	09181H17001	09181H17001	SHIM, drive shaft	1	10
38	09380H25001	09380H25001	09380H25001	09380H25001	09380H25001	09380H25001	09380H25001	09380H25001	09380H25001	CILCLIP, 2nd driven gear	1	10
39	09380H22001	09380H22001	09380H22001	09380H22001	09380H22001	09380H22001	09380H22001	09380H22001	09380H22001	CILCLIP, 2nd drive gear	1	10
40	24322HN9100	24322HN9100	24322HN9100	24322HN9100	24322HN9100	24322HN9100	24322HN9100	24322HN9100	24322HN9100	BUSH, 3nd driven gear	1	10
41	24262HN9100	24262HN9100	24262HN9100	24262HN9100	24262HN9100	24262HN9100	24262HN9100	24262HN9100	24262HN9100	BUSH, 4th drive gear	1	10
42	09167H25001	09167H25001	09167H25001	09167H25001	09167H25001	09167H25001	09167H25001	09167H25001	09167H25001	WASHER, 4th drive gear	1	10
43	24252HN9100	24252HN9100	24252HN9100	24252HN9100	24252HN9100	24252HN9100	24252HN9100	24252HN9100	24252HN9100	BUSH, 5th drive gear	1	10
44	09181H25001	09181H25001	09181H25001	09181H25001	09181H25001	09181H25001	09181H25001	09181H25001	09181H25001	SHIM, 5th drive gear	1	10
45	24332HN9100	24332HN9100	24332HN9100	24332HN9100	24332HN9100	24332HN9100	24332HN9100	24332HN9100	24332HN9100	BUSH, reverse driven gear	1	10
46	24441HP8900	24441HP8900	24441HP8900	24441HP8900	24441HP8900	24441HP8900	24441HP8900	24441HP8900	24441HP8900	WHEEL, sliding dog	1	10
47	09380H25001	09380H25001	09380H25001	09380H25001	09380H25001	09380H25001	09380H25001	09380H25001	09380H25001	CIRCLIP, reverse driven gear	1	10
48	09167H25001	09167H25001	09167H25001	09167H25001	09167H25001	09167H25001	09167H25001	09167H25001	09167H25001	WASHER, reverse driven gear	1	10

FIG 23

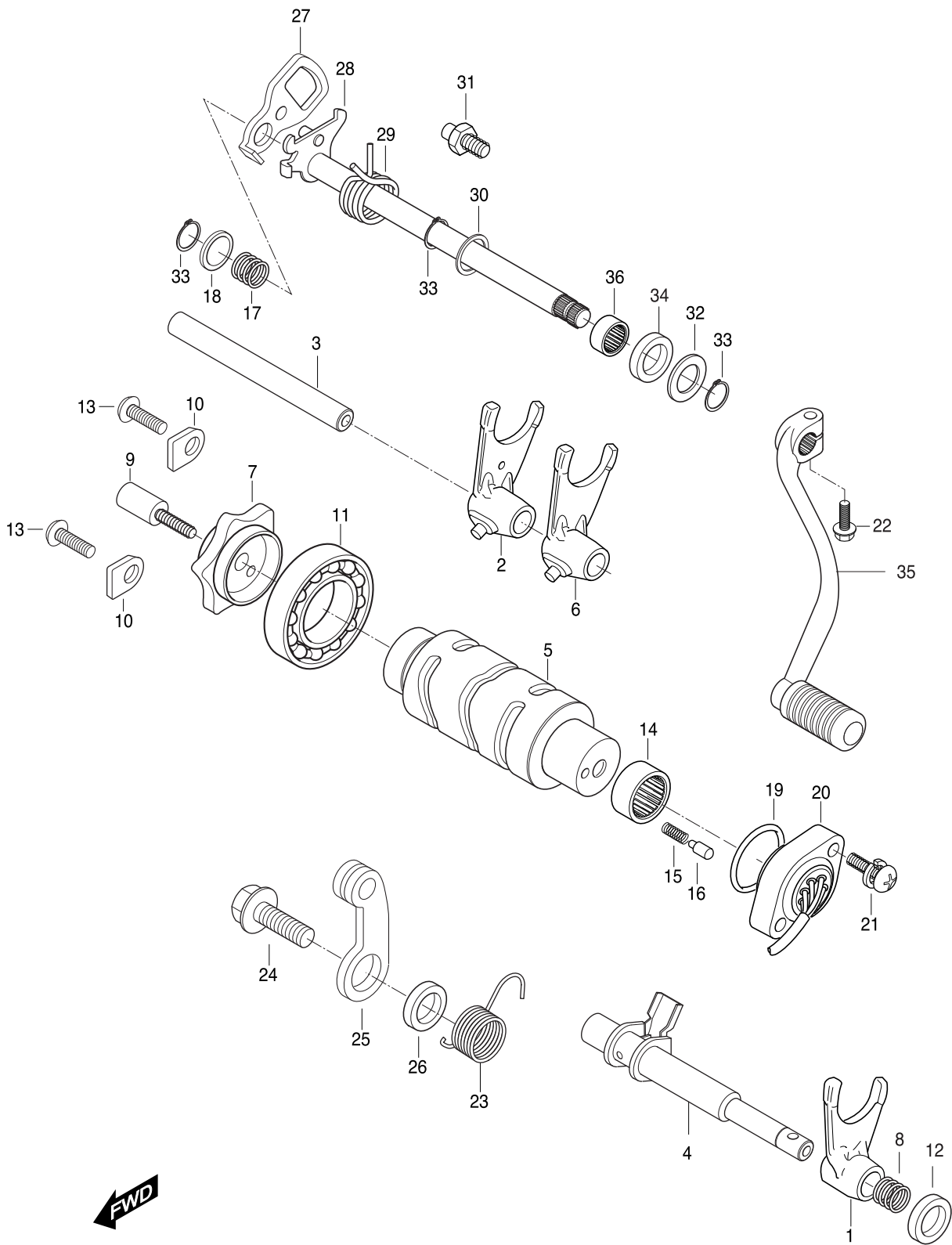


FIG 23. GEAR SHIFTING

REF. NO.	PART NUMBER								PARTS NAME	Q'TY	REMARKS	REC.Q'TY (PCS)
	REU01	REU03	REU04	REU07	7EN01	7EN02	RF04	RS04				
1	25231HN9100	25231HN9100	25231HN9100	25231HN9100	25231HN9100	25231HN9100	25231HN9100	25231HN9100	25231HN9100	FORK, gear shift No.3	1	10
2	25211HP8900	25211HP8900	25211HP8900	25211HP8900	25211HP8900	25211HP8900	25211HP8900	25211HP8900	25211HP8900	FORK, gear shift No.1	1	10
3	25411HN9100	25411HN9100	25411HN9100	25411HN9100	25411HN9100	25411HN9100	25411HN9100	25411HN9100	25411HN9100	SHAFT, gear shift fork No.2	1	10
4	25410HP8900	25410HP8900	25410HP8900	25410HP8900	25410HP8900	25410HP8900	25410HP8900	25410HP8900	25410HP8900	SHAFT, gear shift fork No.1	1	10
5	25310HP8900	25310HP8900	25310HP8900	25310HP8900	25310HP8900	25310HP8900	25310HP8900	25310HP8900	25310HP8900	CAM COMP, gear shift	1	10
6	25221HP8900	25221HP8900	25221HP8900	25221HP8900	25221HP8900	25221HP8900	25221HP8900	25221HP8900	25221HP8900	FORK, gear shift No.2	1	10
7	25380HN9105	25380HN9105	25380HN9105	25380HN9105	25380HN9105	25380HN9105	25380HN9105	25380HN9105	25380HN9105	PLATE COMP, gear shift cam	1	10
8	09440H10001	09440H10001	09440H10001	09440H10001	09440H10001	09440H10001	09440H10001	09440H10001	09440H10001	SPRING, gear shift fork No.1 return	1	10
9	25321HN9100	25321HN9100	25321HN9100	25321HN9100	25321HN9100	25321HN9100	25321HN9100	25321HN9100	25321HN9100	BOLT, gear shift cam plate	1	10
10	24741HN9100	24741HN9100	24741HN9100	24741HN9100	24741HN9100	24741HN9100	24741HN9100	24741HN9100	24741HN9100	RETAINER, gear shift cam bearing F	2	10
11	09262H25002	09262H25002	09262H25002	09262H25002	09262H25002	09262H25002	09262H25002	09262H25002	09262H25002	BEARING, gear shift cam R	2	10
12	09282-10007	09282-10007	09282-10007	09282-10007	09282-10007	09282-10007	09282-10007	09282-10007	09282-10007	SEAL, gear shift fork No.1 oil	1	10
13	02122-06128	02122-06128	02122-06128	02122-06128	02122-06128	02122-06128	02122-06128	02122-06128	02122-06128	SCREW, gear shift cam bearing retain	2	10
14	09263H25002	09263H25002	09263H25002	09263H25002	09263H25002	09263H25002	09263H25002	09263H25002	09263H25002	BEARING, gear shift cam L	1	10
15	09440-04010	09440-04010	09440-04010	09440-04010	09440-04010	09440-04010	09440-04010	09440-04010	09440-04010	SPRING, gear shift shift contact	1	10
16	09209-05011	09209-05011	09209-05011	09209-05011	09209-05011	09209-05011	09209-05011	09209-05011	09209-05011	CONTACT, gear shift switch	1	10
17	09440H17001	09440H17001	09440H17001	09440H17001	09440H17001	09440H17001	09440H17001	09440H17001	09440H17001	SPRING, gear shift cam drive plate	1	10
18	09181H14001	09181H14001	09181H14001	09181H14001	09181H14001	09181H14001	09181H14001	09181H14001	09181H14001	SHIM, gear shift shift thrust	2	10
19	09280-26007	09280-26007	09280-26007	09280-26007	09280-26007	09280-26007	09280-26007	09280-26007	09280-26007	O-RING, gear shift switch	1	10
20	37720HP8900	37720HP8900	37720HP8900	37720HP8900	37720HP8900	37720HP8900	37720HP8900	37720HP8900	37720HP8900	SWITCH ASS'Y, gear shift	1	10
21	02112-95208	02112-95208	02112-95208	02112-95208	02112-95208	02112-95208	02112-95208	02112-95208	02112-95208	SCREW, gear shift switch	2	10
22	01104-06208	01104-06208	01104-06208	01104-06208	01104-06208	01104-06208	01104-06208	01104-06208	01104-06208	BOLT, gear shift lever	1	10
23	09448H17002	09448H17002	09448H17002	09448H17002	09448H17002	09448H17002	09448H17002	09448H17002	09448H17002	SPRING, gear shift cam stopper	1	10
24	09111-06019	09111-06019	09111-06019	09111-06019	09111-06019	09111-06019	09111-06019	09111-06019	09111-06019	BOLT, gear shift cam stopper	1	10
25	25350HN9100	25350HN9100	25350HN9100	25350HN9100	25350HN9100	25350HN9100	25350HN9100	25350HN9100	25350HN9100	STOPPER COMP, gear shift cam	1	10
26	08211-06141	08211-06141	08211-06141	08211-06141	08211-06141	08211-06141	08211-06141	08211-06141	08211-06141	WASHER, gear shift shaft thrust	1	10
27	25521HN9100	25521HN9100	25521HN9100	25521HN9100	25521HN9100	25521HN9100	25521HN9100	25521HN9100	25521HN9100	PLATE, gear shift cam drive	1	10
28	25510HP8900	25510HP8900	25510HP8900	25510HP8900	25510HP8900	25510HP8900	25510HP8900	25510HP8900	25510HP8900	SHAFT COMP, gear shift	1	10
29	09444H20011	09444H20011	09444H20011	09444H20011	09444H20011	09444H20011	09444H20011	09444H20011	09444H20011	SPRING, gear shift shaft return	1	10
30	09180H14001	09180H14001	09180H14001	09180H14001	09180H14001	09180H14001	09180H14001	09180H14001	09180H14001	SHIM, gear shift shaft	1	10
31	25671-01000	25671-01000	25671-01000	25671-01000	25671-01000	25671-01000	25671-01000	25671-01000	25671-01000	STOPPER, gear shift arm	1	10
32	09160H14003	09160H14003	09160H14003	09160H14003	09160H14003	09160H14003	09160H14003	09160H14003	09160H14003	WASHER, gear shift shaft thrust	1	10
33	08331-31149	08331-31149	08331-31149	08331-31149	08331-31149	08331-31149	08331-31149	08331-31149	08331-31149	CIRCLIP, gear shift shaft	3	20
34	09283H14002	09283H14002	09283H14002	09283H14002	09283H14002	09283H14002	09283H14002	09283H14002	09283H14002	SEAL, gear shift shaft oil	1	10
35	25600HP8900	25600HP8900	25600HP8900	25600HP8900	25600HP8900	25600HP8900	25600HP8900	25600HP8900	25600HP8900	LEVER ASS'Y, gear shift cam	1	10
36	09263H14002	09263H14002	09263H14002	09263H14002	09263H14002	09263H14002	09263H14002	09263H14002	09263H14002	BEARING, gear shift shaft	1	10

FIG 24

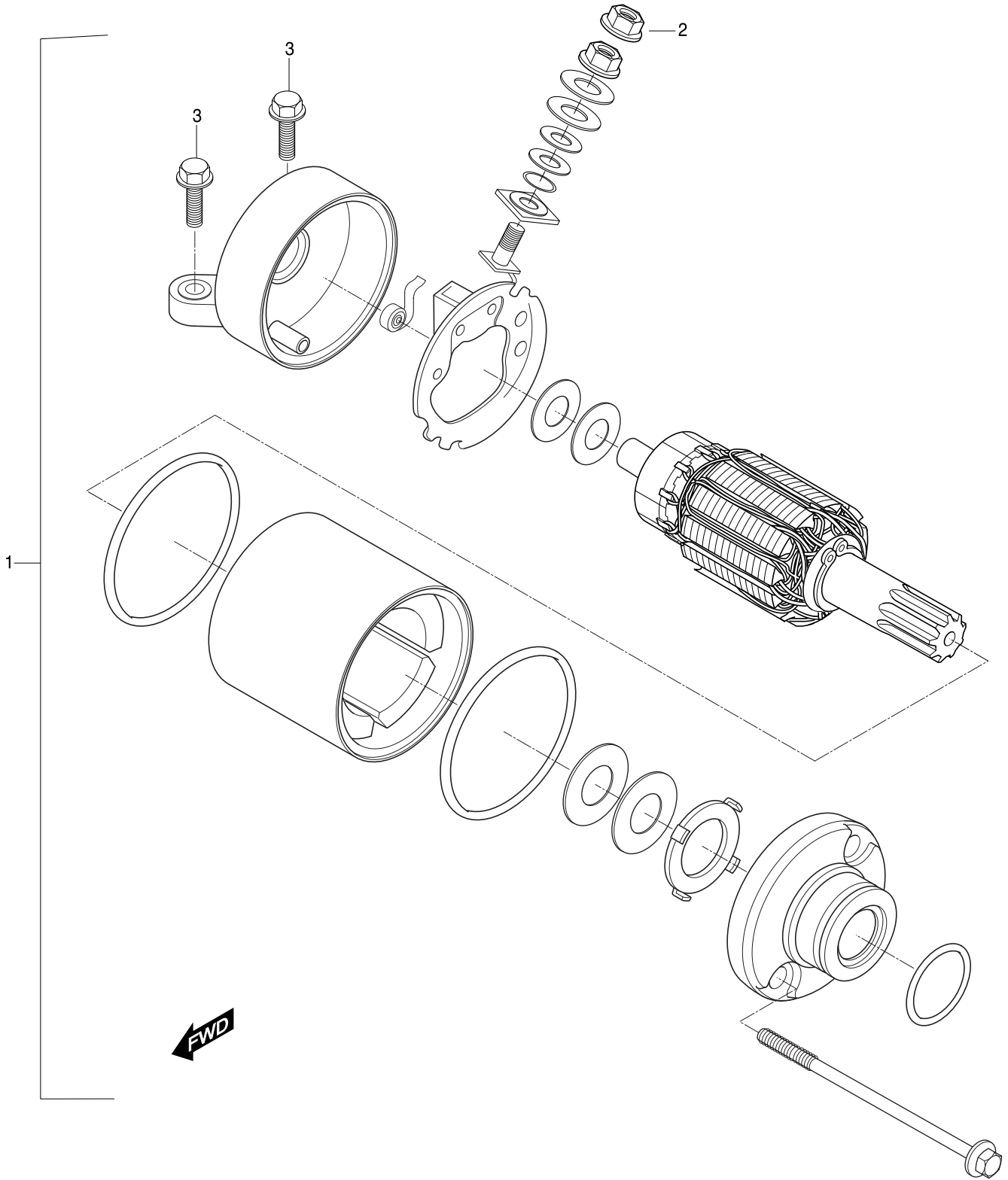


FIG 24. STARTING MOTOR

REF. NO.	PART NUMBER								PARTS NAME	Q`TY	REMARKS	REC.Q'TY (PCS)
	REU01	REU03	REU04	REU07	7EN01	7EN02	RF04	RS04				
1	31100HP8900	31100HP8900	31100HP8900	31100HP8900	31100HP8900	31100HP8900	31100HP8900	31100HP8900	MOTOR ASSY, starting	1		12
2	08316-16068	08316-16068	08316-16068	08316-16068	08316-16068	08316-16068	08316-16068	08316-16068	NUT, starter motor terminal	1		
3	01547-06258	01547-06258	01547-06258	01547-06258	01547-06258	01547-06258	01547-06258	01547-06258	BOLT, start motor bracket	2		

FIG 25

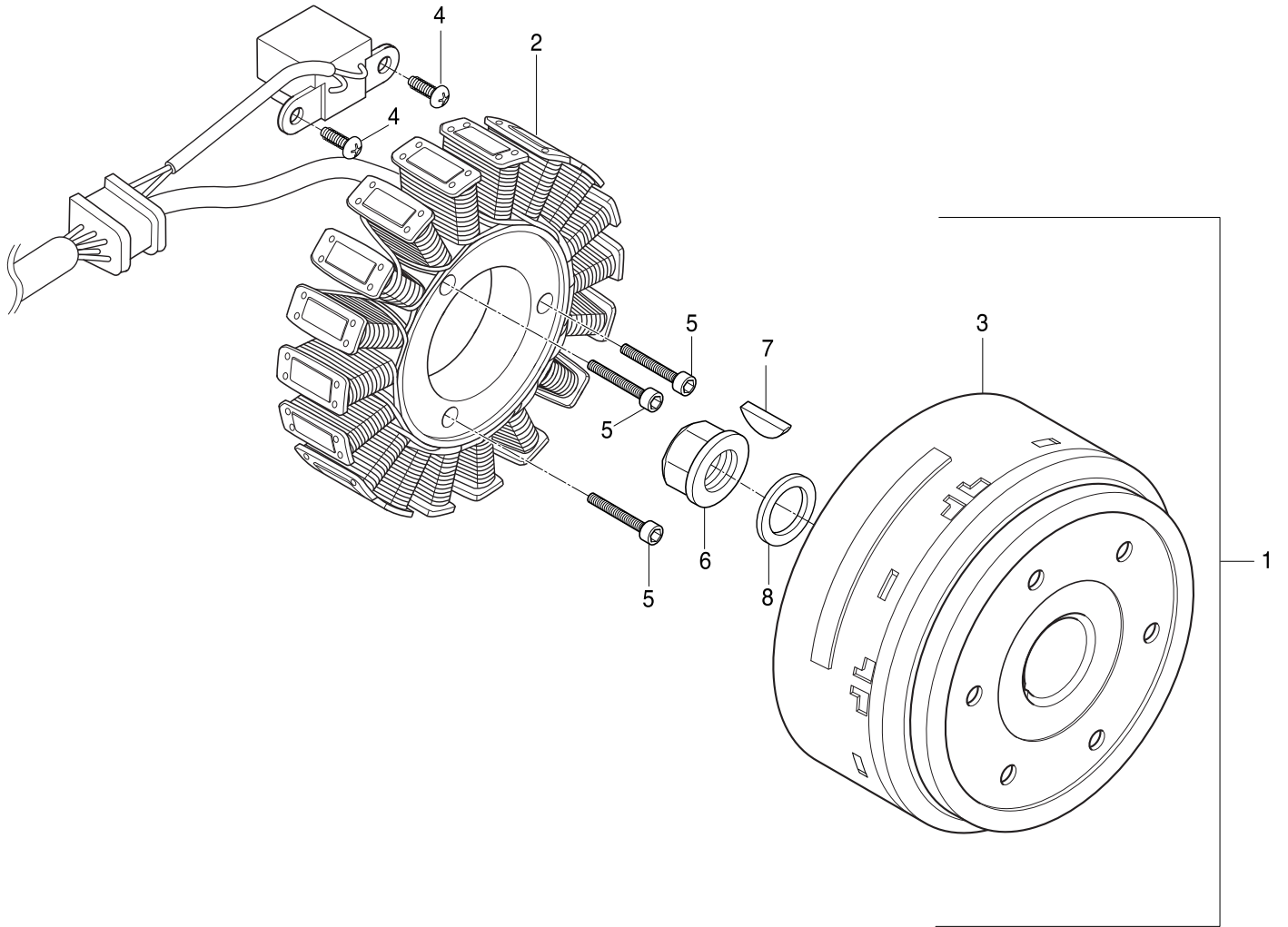


FIG 25. MAGNETO ASSY

REF. NO.	PART NUMBER								PARTS NAME	Q`TY	REMARKS	REC.Q`TY (PCS)
	REU01	REU03	REU04	REU07	7EN01	7EN02	RF04	RS04				
1	32100HP8900	32100HP8900	32100HP8900	32100HP8900	32100HP8900	32100HP8900	32100HP8900	32100HP8900	MAGNETO ASS'Y	1		5
2	32101HP8900	32101HP8900	32101HP8900	32101HP8900	32101HP8900	32101HP8900	32101HP8900	32101HP8900	STATOR ASS'Y	1		20
3	32102HP8900	32102HP8900	32102HP8900	32102HP8900	32102HP8900	32102HP8900	32102HP8900	32102HP8900	ROTOR, fly wheel	1		20
4	02142-05128	02142-05128	02142-05128	02142-05128	02142-05128	02142-05128	02142-05128	02142-05128	SCREW, pick-up coil(M5X12)	2		
5	07110-06308	07110-06308	07110-06308	07110-06308	07110-06308	07110-06308	07110-06308	07110-06308	BOLT, magneto stator(M6X30)	3		
6	08316-26128	08316-26128	08316-26128	08316-26128	08316-26128	08316-26128	08316-26128	08316-26128	NUT, magneto	1		50
7	09420H04001	09420H04001	09420H04001	09420H04001	09420H04001	09420H04001	09420H04001	09420H04001	KEY, magneto	1		50
8	09160H12003	09160H12003	09160H12003	09160H12003	09160H12003	09160H12003	09160H12003	09160H12003	WASHER, magneto	1		

FIG 26

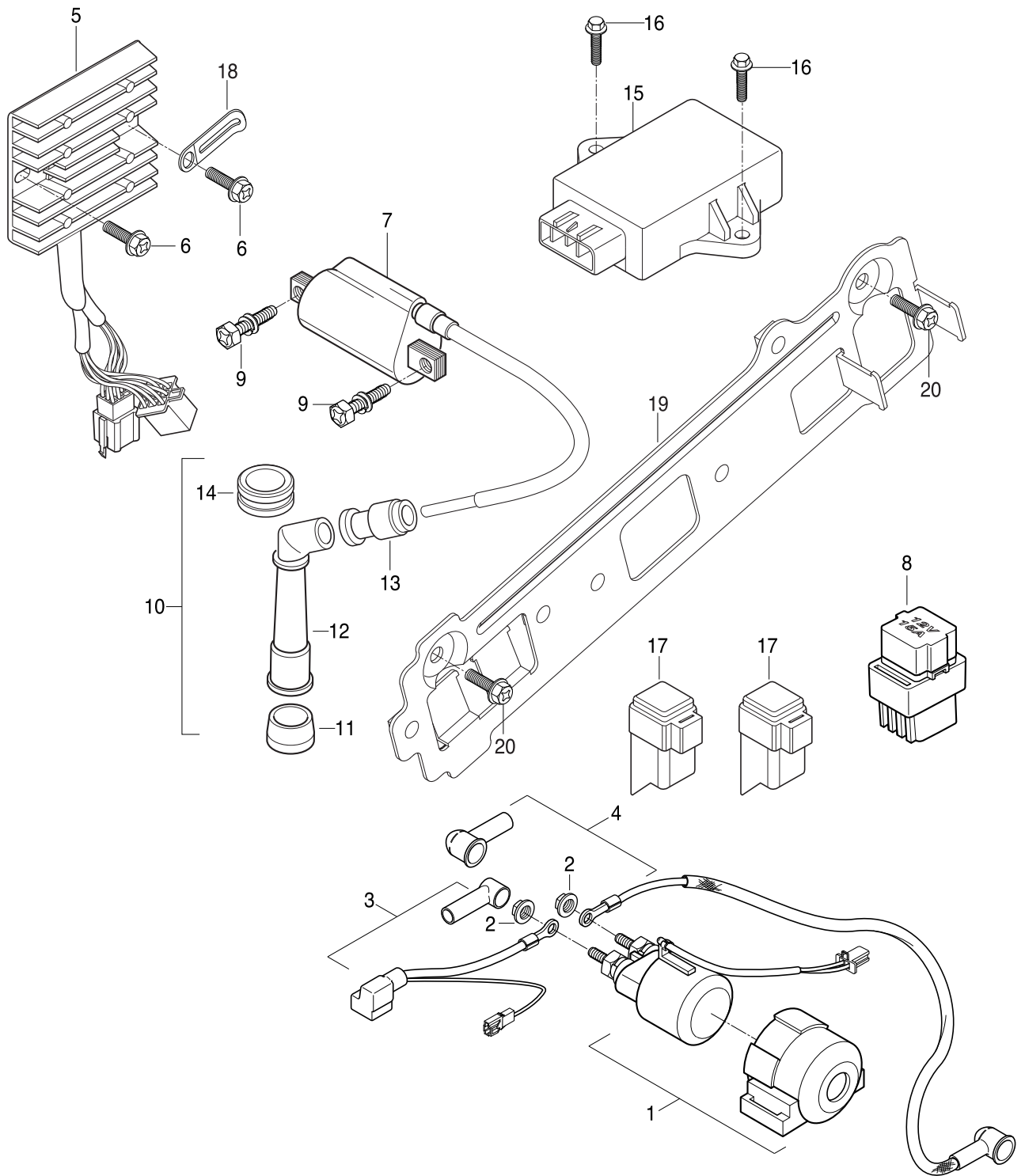


FIG 26. ELECTRICAL

REF. NO.	PART NUMBER								PARTS NAME	Q`TY	REMARKS	REC.Q`TY (PCS)
	REU01	REU03	REU04	REU07	7EN01	7EN02	RF04	RS04				
1	31800HG5100	31800HG5100	31800HG5100	31800HG5100	31800HG5100	31800HG5100	31800HG5100	31800HG5100	RELAY ASS'Y, starting motor	1		30
2	08316-26066	08316-26066	08316-26066	08316-26066	08316-26066	08316-26066	08316-26066	08316-26066	NUT, starter motor relay terminal	2		
3	33840HP8900	33840HP8900	33840HP8900	33840HP8900	33840HP8900	33840HP8900	33840HP8900	33840HP8900	LEADWIRE, battery plus	1		
4	33850HP8900	33850HP8900	33850HP8900	33850HP8900	33850HP8900	33850HP8900	33850HP8900	33850HP8900	LEADWIRE, starter motor	1		
5	32800HP8900	32800HP8900	32800HP8900	32800HP8900	32800HP8900	32800HP8900	32800HP8900	32800HP8900	RECTIFIER regulator ass'y	1		
6	01517-06166	01517-06166	01517-06166	01517-06166	01517-06166	01517-06166	01517-06166	01517-06166	BOLT, restifier	2		
7	33410HP8900	33410HP8900	33410HP8900	33410HP8900	33410HP8900	33410HP8900	33410HP8900	33410HP8900	COIL ASS'Y,ignition	1		30
8	36740-35C00	36740-35C00	36740-35C00	36740-35C00	36740-35C00	36740-35C00	36740-35C00	36740-35C00	BOX ASS'Y, fuse(15A)	1		
9	01174-05208	01174-05208	01174-05208	01174-05208	01174-05208	01174-05208	01174-05208	01174-05208	BOLT, ignition coil	2		
10	33500HN9100	33500HN9100	33500HN9100	33500HN9100	33500HN9100	33500HN9100	33500HN9100	33500HN9100	CAP ASS'Y spark plug	1		50
11	33541-23E01	33541-23E01	33541-23E01	33541-23E01	33541-23E01	33541-23E01	33541-23E01	33541-23E01	SEAL, spark plug	1	NOT SALE	
12	33510-05C01	33510-05C01	33510-05C01	33510-05C01	33510-05C01	33510-05C01	33510-05C01	33510-05C01	CAP, spark plug	1	including No.11+No.13	
13	33542-98000	33542-98000	33542-98000	33542-98000	33542-98000	33542-98000	33542-98000	33542-98000	SEAL, high tention cord	1	NOT SALE	
14	33545HN9100	33545HN9100	33545HN9100	33545HN9100	33545HN9100	33545HN9100	33545HN9100	33545HN9100	BUSH, spark plug cap	1		
15	32900HP8900	32900HP8900	32900HP8900	32900HP8900	32900HP8900	32900HP8900	32900HP8900	32900HP8900	IGNITOR, ASS'Y	1		
16	01517-06166	01517-06166	01517-06166	01517-06166	01517-06166	01517-06166	01517-06166	01517-06166	BOLT, ignition	2		
17	38740HG5100	38740HG5100	38740HG5100	38740HG5100	38740HG5100	38740HG5100	38740HG5100	38740HG5100	RELAY ASS'Y	2		30
18	09404-06401	09404-06401	09404-06401	09404-06401	09404-06401	09404-06401	09404-06401	09404-06401	CLAMP, rectifier regulator L / wire	1		
19	42121HP8900	42121HP8900	42121HP8900	42121HP8900	42121HP8900	42121HP8900	42121HP8900	42121HP8900	PLATE, electric part	1		
20	02142-06126	02142-06126	02142-06126	02142-06126	02142-06126	02142-06126	02142-06126	02142-06126	SCREW, electric part plate	2		

FIG 27

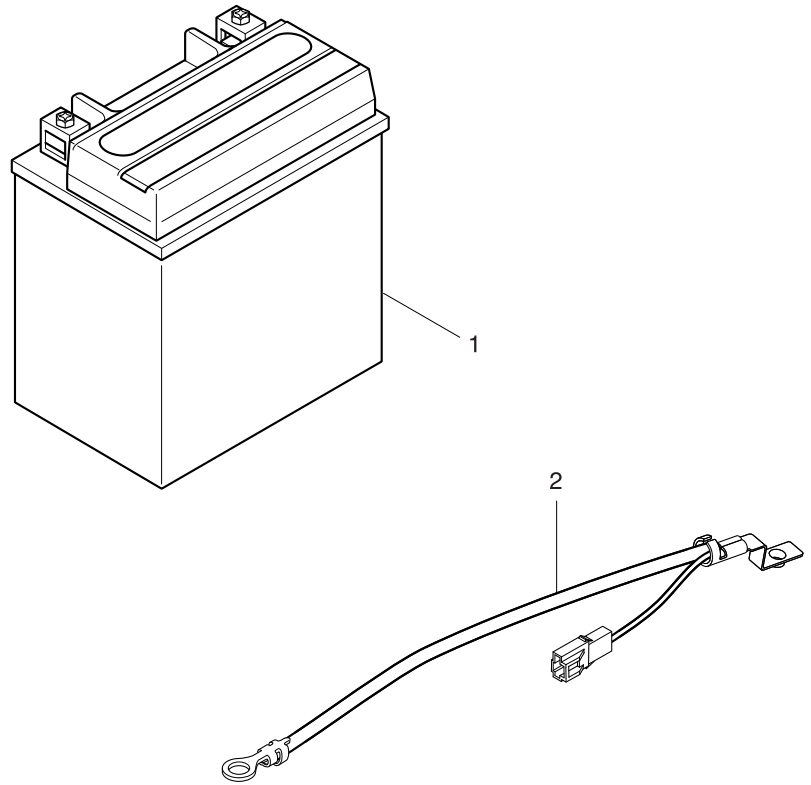


FIG 27. BATTERY

REF. NO.	PART NUMBER								PARTS NAME	Q`TY	REMARKS	REC.Q'TY (PCS)
	REU01	REU03	REU04	REU07	7EN01	7EN02	RF04	RS04				
1	33610HG5100	33610HG5100	33610HG5100	33610HG5100	33610HG5100	33610HG5100	33610HG5100	33610HG5100	BATTERY ASS'Y(12V 8Ah. STX9-1	1		50
2	33860HP8900	33860HP8900	33860HP8900	33860HP8900	33860HP8900	33860HP8900	33860HP8900	33860HP8900	LEAD WIRE, battery minus	1		15

FIG.28

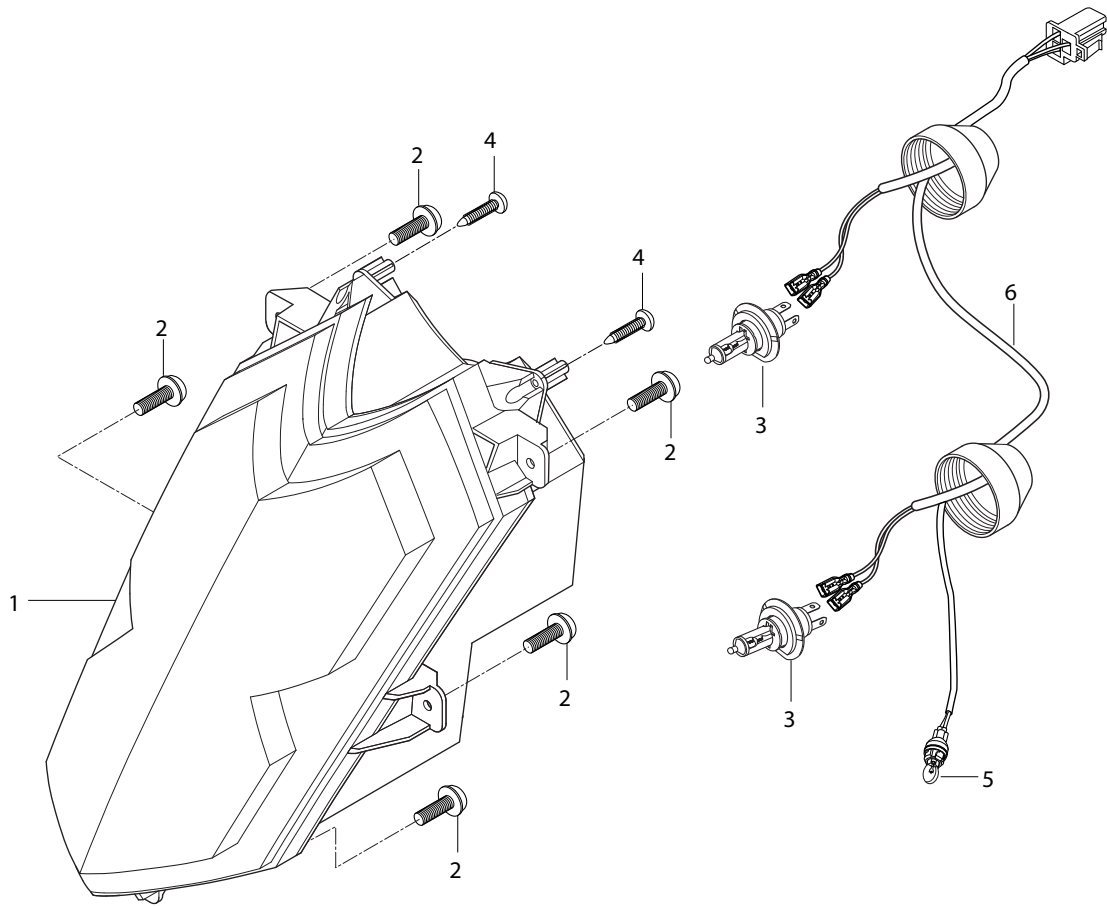


FIG 28. HEAD LAMP

REF. NO.	PART NUMBER								PARTS NAME	Q`TY	REMARKS	REC.Q`TY (PCS)
	REU01	REU03	REU04	REU07	7EN01	7EN02	RF04	RS04				
1	35100HP8900	35100HP8900	35100HP8900	35100HP8900	35100HP8900	35100HP8900	35100HP8900	35100HP8900	HEAD LAMP ASS'Y	1		10
2	03241-06166	03241-06166	03241-06166	03241-06166	03241-06166	03241-06166	03241-06166	03241-06166	SCREW, head lamp	4		20
3	09471H12260	09471H12260	09471H12260	09471H12260	09471H12260	09471H12260	09471H12260	09471H12260	BULB, head lamp(12V H7 55W)	2		50
4	03241-05166	03241-05166	03241-05166	03241-05166	03241-05166	03241-05166	03241-05166	03241-05166	SCREW, head lamp	4		30
5	09471-12110	09471-12110	09471-12110	09471-12110	09471-12110	09471-12110	09471-12110	09471-12110	BULB, position lamp	1		
6	35130HP8900	35130HP8900	35130HP8900	35130HP8900	35130HP8900	35130HP8900	35130HP8900	35130HP8900	SOCKET, head hamp	1		

FIG 29

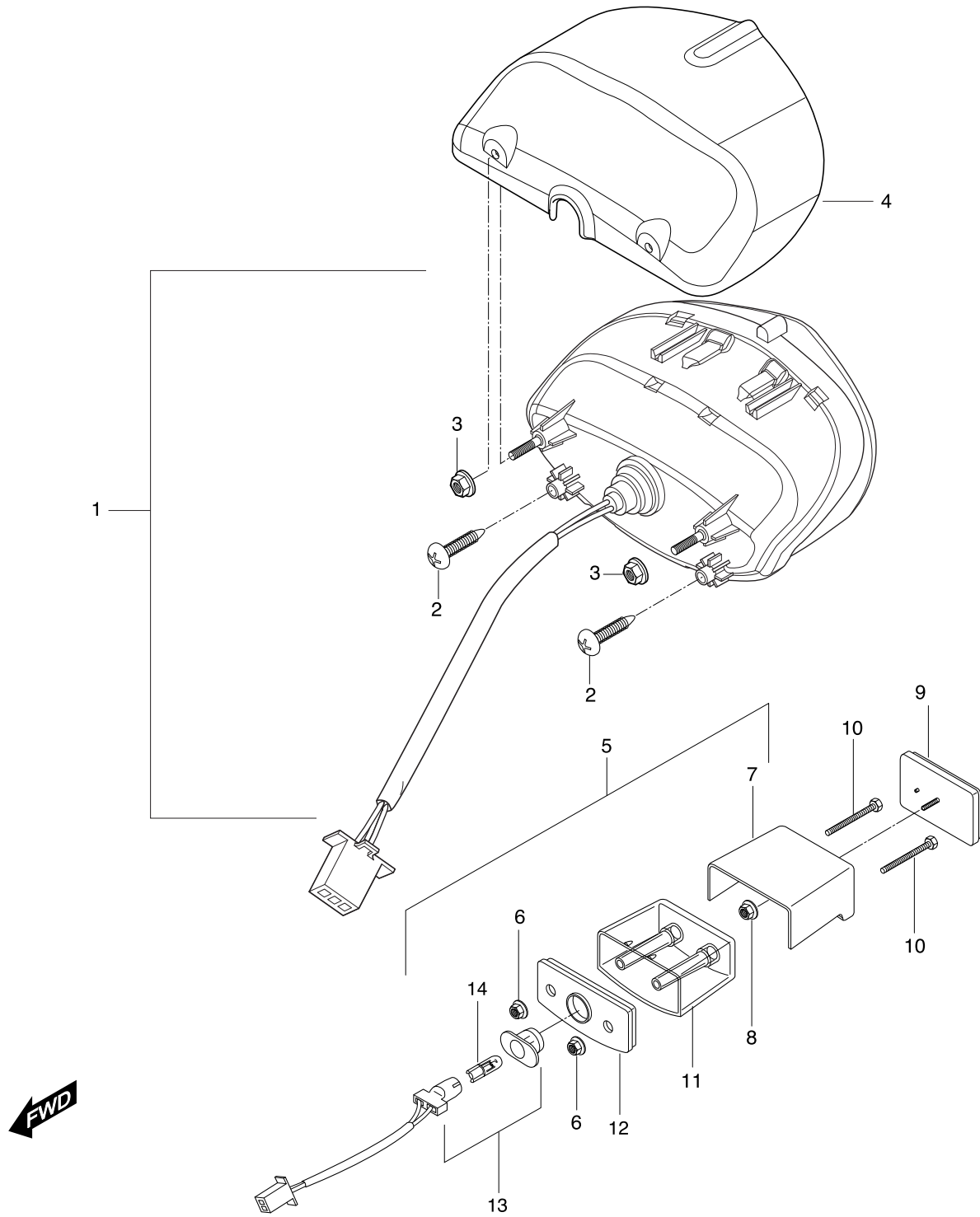


FIG 29. REAR COMBINATION

REF. NO.	PART NUMBER								PARTS NAME	Q'TY	REMARKS	REC.Q'TY (PCS)
	REU01	REU03	REU04	REU07	7EN01	7EN02	RF04	RS04				
1	35710HP9500	35710HP9500	35710HP9500	35710HP9500	35710HP9500	35710HP9500	35710HP9500	35710HP9500	LAMP ASS'Y, tail & stop	1		15
2	03241-05166	03241-05166	03241-05166	03241-05166	03241-05166	03241-05166	03241-05166	03241-05166	SCREW, tail & stop	2		
3	08316-26055	08316-26055	08316-26055	08316-26055	08316-26055	08316-26055	08316-26055	08316-26055	NUT, tail & stop	2		
4	35780HP8900	35780HP8900	35780HP8900	35780HP8900	35780HP8900	35780HP8900	35780HP8900	35780HP8900	COVER, tail & stop	1		
5	35910HG5150	35910HG5150	35910HG5150	35910HG5150	35910HG5150	35910HG5150	35910HG5150	35910HG5150	LAMP ASSY, license plate	1		
6	08316-26055	08316-26055	08316-26055	08316-26055	08316-26055	08316-26055	08316-26055	08316-26055	COVER, license lamp	2		
7	35915HL7300	35915HL7300	35915HL7300	35915HL7300	35915HL7300	35915HL7300	35915HL7300	35915HL7300	NUT, license lamp(M5)	2		
8	08316-26055	08316-26055	08316-26055	08316-26055	08316-26055	08316-26055	08316-26055	08316-26055	NUT, license lamp	2		
9	35970HP8900	35970HP8900	35970HP8900	35970HP8900	35970HP8900	35970HP8900	35970HP8900	35970HP8900	COVER REFLEX REFLECTOR AS.	1		
10	01107-05605	01107-05605	01107-05605	01107-05605	01107-05605	01107-05605	01107-05605	01107-05605	sCREW, license lamp	2		
11	35911HG5800	35911HG5800	35911HG5800	35911HG5800	35911HG5800	35911HG5800	35911HG5800	35911HG5800	LENS, license	1		
12	35912HG5800	35912HG5800	35912HG5800	35912HG5800	35912HG5800	35912HG5800	35912HG5800	35912HG5800	HOUSING, license	1		
13	35916HG5800	35916HG5800	35916HG5800	35916HG5800	35916HG5800	35916HG5800	35916HG5800	35916HG5800	CORD ASS'Y	1		10
14	09471-12150	09471-12150	09471-12150	09471-12150	09471-12150	09471-12150	09471-12150	09471-12150	BULB, license lamp(12V/5W)	1		20

FIG.30

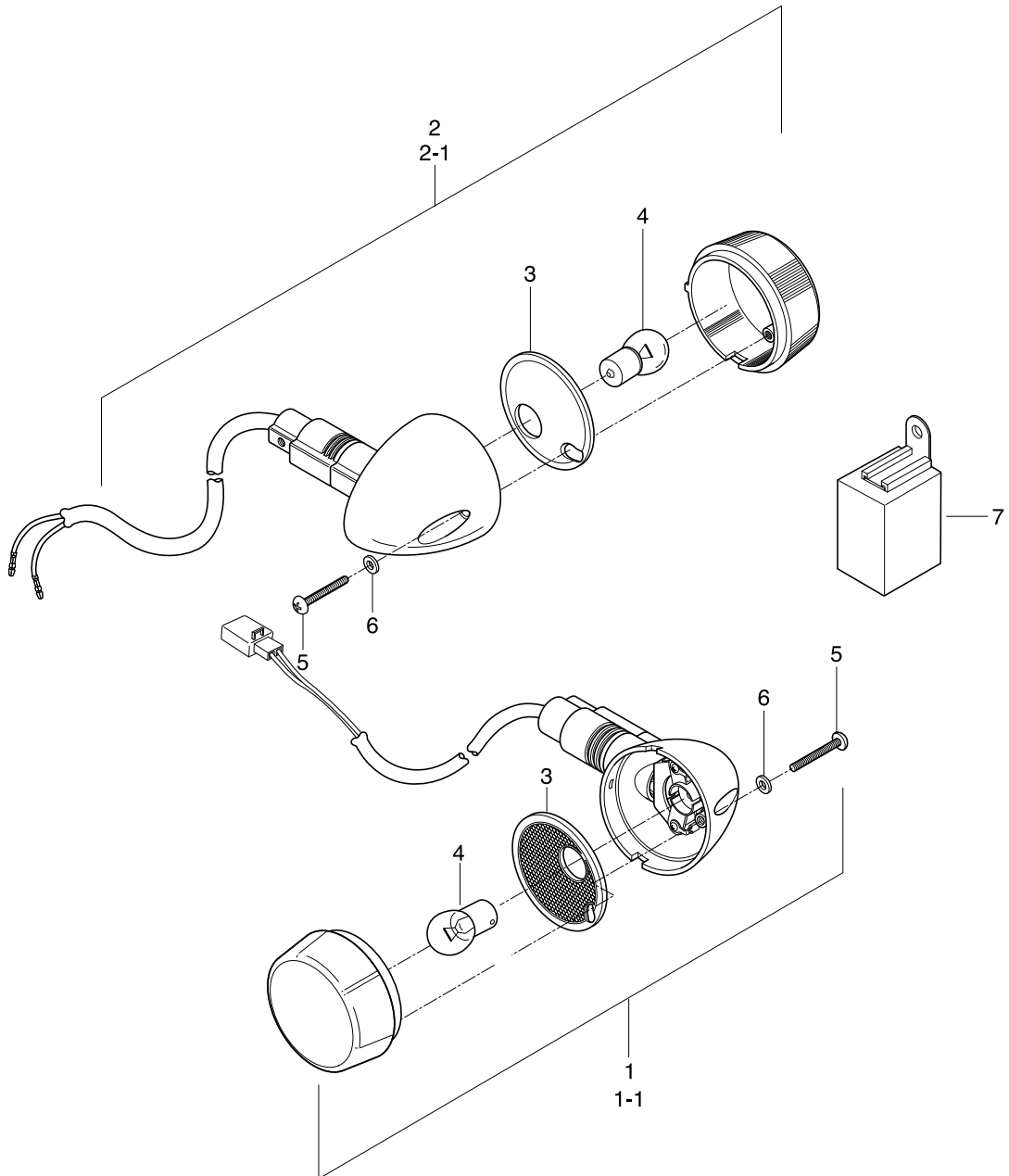
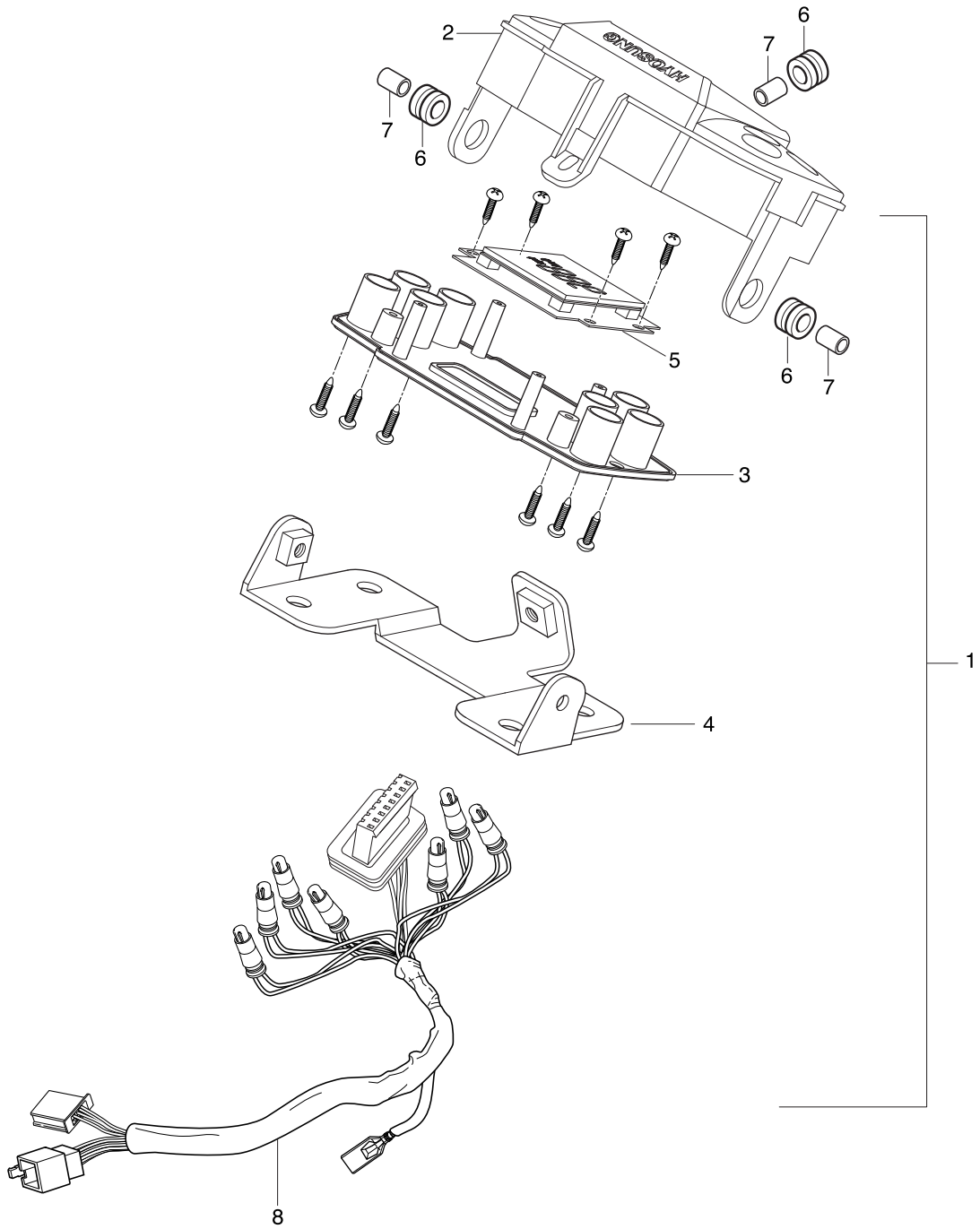


FIG 30. FRONTTURN SIGNAL LAMP

REF. NO.	PART NUMBER								PARTS NAME	Q`TY	REMARKS	REC.Q`TY (PCS)
	REU01	REU03	REU04	REU07	7EN01	7EN02	RF04	RS04				
1	35601HP9501	35601HP9501	35601HP9501	35601HP9501	35601HP9501	35601HP9501	35601HP9501	35601HP9501	LAMP ASS'Y, Ft turnsignal R	1		10
1-1	35602HP9501	35602HP9501	35602HP9501	35602HP9501	35602HP9501	35602HP9501	35602HP9501	35602HP9501	LAMP ASS'Y, Ft turnsignal L	1		10
2	35603HP8900	35603HP8900	35603HP8900	35603HP8900	35603HP8900	35603HP8900	35603HP8900	35603HP8900	LAMP ASS'Y, Rr turnsignal R	1		10
2-1	35604HP8900	35604HP8900	35604HP8900	35604HP8900	35604HP8900	35604HP8900	35604HP8900	35604HP8900	LAMP ASS'Y, Rr turnsignal L	1		10
3	35614HP9500	35614HP9500	35614HP9500	35614HP9500	35614HP9500	35614HP9500	35614HP9500	35614HP9500	REFLECTOR, turnsignal	2		
4	09471H12112	09471H12112	09471H12112	09471H12112	09471H12112	09471H12112	09471H12112	09471H12112	BULB, (12V)	2		30
5	02142-05246	02142-05246	02142-05246	02142-05246	02142-05246	02142-05246	02142-05246	02142-05246	SCREW, turnsignal lamp	2		
6	35609H93B00	35609H93B00	35609H93B00	35609H93B00	35609H93B00	35609H93B00	35609H93B00	35609H93B00	VINYL WASHER	2		
7	38610HL7300	38610HL7300	38610HL7300	38610HL7300	38610HL7300	38610HL7300	38610HL7300	38610HL7300	RELAY ASS'Y, turnsignal	1		10

FIG 31



FWD

FIG 31. SPEEDOMETER ASSY

REF. NO.	PART NUMBER								PARTS NAME	Q`TY	REMARKS	REC.Q`TY (PCS)
	REU01	REU03	REU04	REU07	7EN01	7EN02	RF04	RS04				
1	34100HP8900	34100HP8900	34100HP8900	34100HP8900	34100H789A0	34100H789A0	34100HP8900	34100HP8900	SPEEDOMETER ASS'Y	1		15
2	34150HP8900	34150HP8900	34150HP8900	34150HP8900	34150HP8900	34150HP8900	34150HP8900	34150HP8900	WINDOWS, case	1		
3	34160HP8900	34160HP8900	34160HP8900	34160HP8900	34160HP8900	34160HP8900	34160HP8900	34160HP8900	CASE SUB, housing	1		
4	56172HP8900	56172HP8900	56172HP8900	56172HP8900	56172HP8900	56172HP8900	56172HP8900	56172HP8900	BRACKET, steering head cover	1		
5	34500HP8900	34500HP8900	34500HP8900	34500HP8900	34500HP8900	34500HP8900	34500HP8900	34500HP8900	LCD ASS'Y, speedometer	1		
6	94433H07C00	94433H07C00	94433H07C00	94433H07C00	94433H07C00	94433H07C00	94433H07C00	94433H07C00	CUSHION, speedometer	3		
7	09180-06011	09180-06011	09180-06011	09180-06011	09180-06011	09180-06011	09180-06011	09180-06011	BUSH, speedometer	3		
8	34170HP8900	34170HP8900	34170HP8900	34170HP8900	34170HP8900	34170HP8900	34170HP8900	34170HP8900	WIRING ASS'Y, speedometer	1		
9	34860HP8900	34860HP8900	34860HP8900	34860HP8900	34860HP8900	34860HP8900	34860HP8900	34860HP8900	SENSOR ASS'Y, speedometer	1		
10	09407-20406	09407-20406	09407-20406	09407-20406	09407-20406	09407-20406	09407-20406	09407-20406	CLAMP, speed sensor	3		

FIG.32

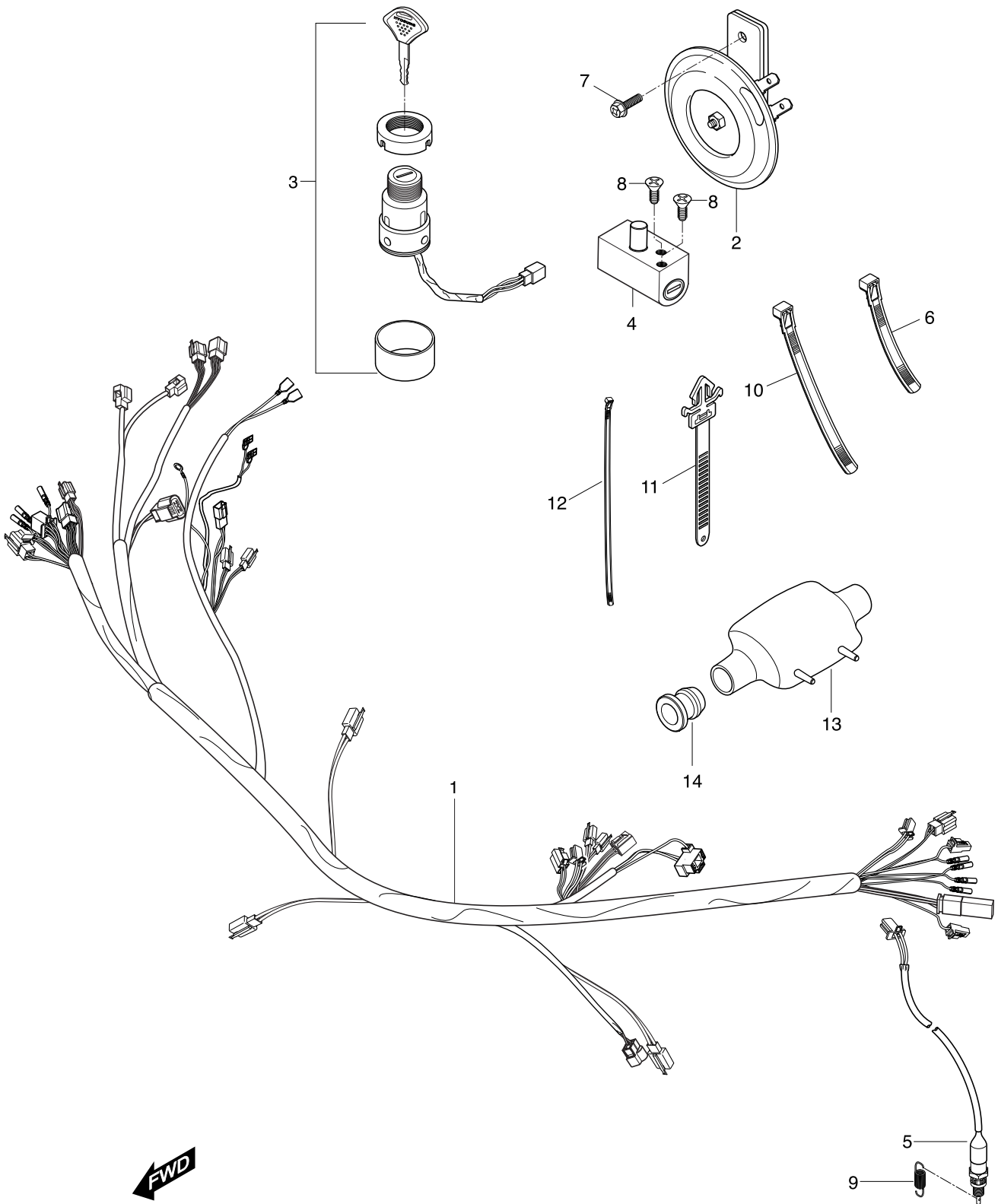


FIG 32. WIRING HARNESS

REF. NO.	PART NUMBER								PARTS NAME	Q'TY	REMARKS	REC.Q'TY (PCS)
	REU01	REU03	REU04	REU07	7EN01	7EN02	RF04	RS04				
1	36610HP8901	36610HP8901	36610HP8901	36610HP8901	36610HP8901	36610HP8901	36610HP8901	36610HP8901	HARNESS, wiring	1		8
2	38500HR8300	38500HR8300	38500HR8300	38500HR8300	38500HR8300	38500HR8300	38500HR8300	38500HR8300	HORN ASS'Y	1		5
3	37100HP8900	37100HP8900	37100HP8900	37100HP8900	37100HP8900	37100HP8900	37100HP8900	37100HP8900	SWITCH ASS'Y, ignition	1		
4	51900HP8900	51900HP8900	51900HP8900	51900HP8900	51900HP8900	51900HP8900	51900HP8900	51900HP8900	LOCK ASSY, steering	2		5
5	37740HP8900	37740HP8900	37740HP8900	37740HP8900	37740HP8900	37740HP8900	37740HP8900	37740HP8900	SWITCH ASS'Y, rear stop	1		5
6	09407-14403	09407-14403	09407-14403	09407-14403	09407-14403	09407-14403	09407-14403	09407-14403	CLAMP, wiring harness	3		
7	09128-06005	09128-06005	09128-06005	09128-06005	09128-06005	09128-06005	09128-06005	09128-06005	BOLT, horn	1		
8	02122-06128	02122-06128	02122-06128	02122-06128	02122-06128	02122-06128	02122-06128	02122-06128	SCREW, steering lock	2		
9	09443-06058	09443-06058	09443-06058	09443-06058	09443-06058	09443-06058	09443-06058	09443-06058	SPRING, rear stop switch	1		
10	09407-22402	09407-22402	09407-22402	09407-22402	09407-22402	09407-22402	09407-22402	09407-22402	CLAMP, wiring harness	3		
11	09407-14408	09407-14408	09407-14408	09407-14408	09407-14408	09407-14408	09407-14408	09407-14408	CLAMP, wiring harness	1		
12	09407-20406	09407-20406	09407-20406	09407-20406	09407-20406	09407-20406	09407-20406	09407-20406	CLAMP, wiring harness	3		
13	36618-30610	36618-30610	36618-30610	36618-30610	36618-30610	36618-30610	36618-30610	36618-30610	TUBE, wiring harness	2		
14	09320H12061	09320H12061	09320H12061	09320H12061	09320H12061	09320H12061	09320H12061	09320H12061	GROMMET, rear fender	1		

FIG 33

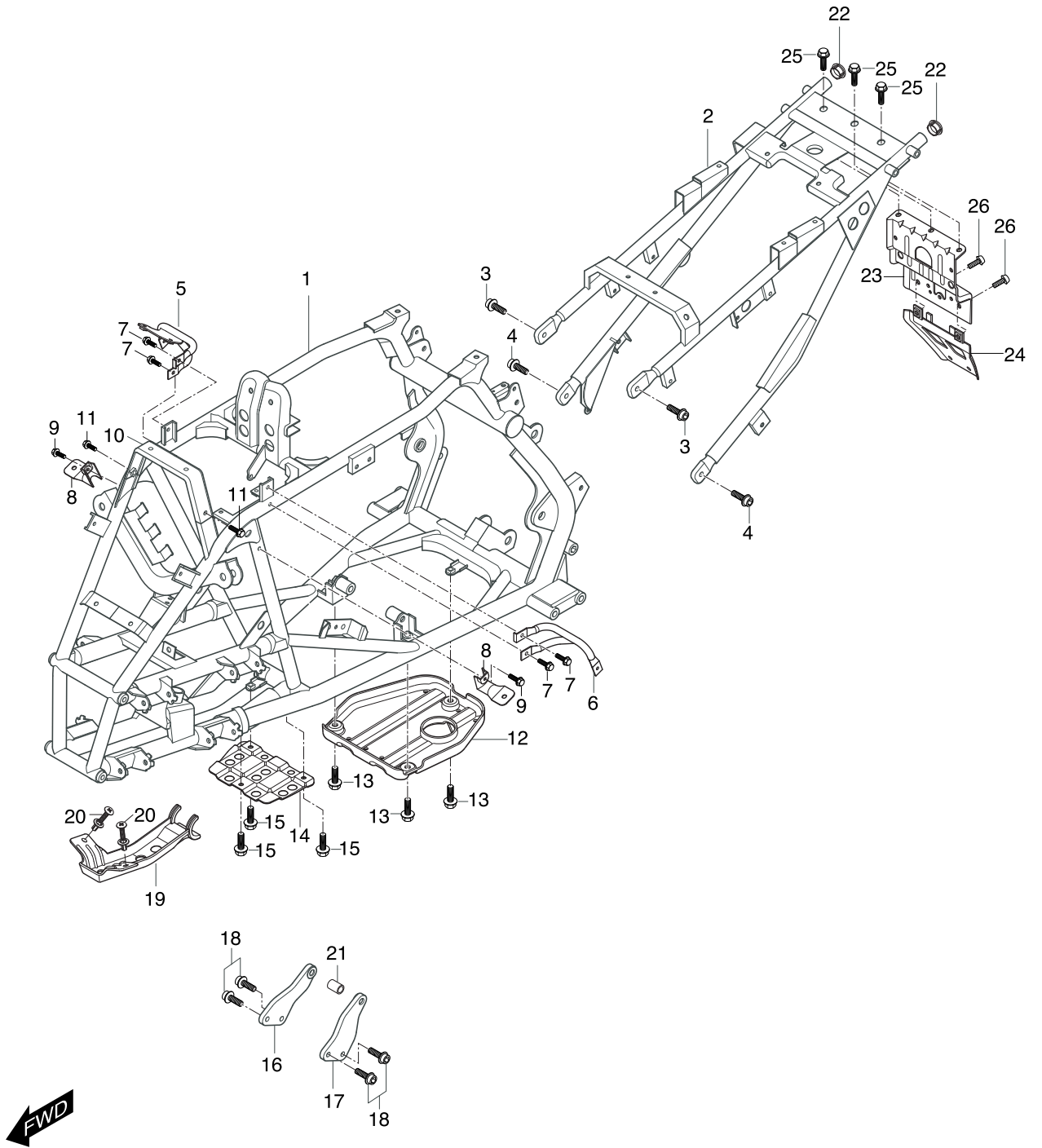
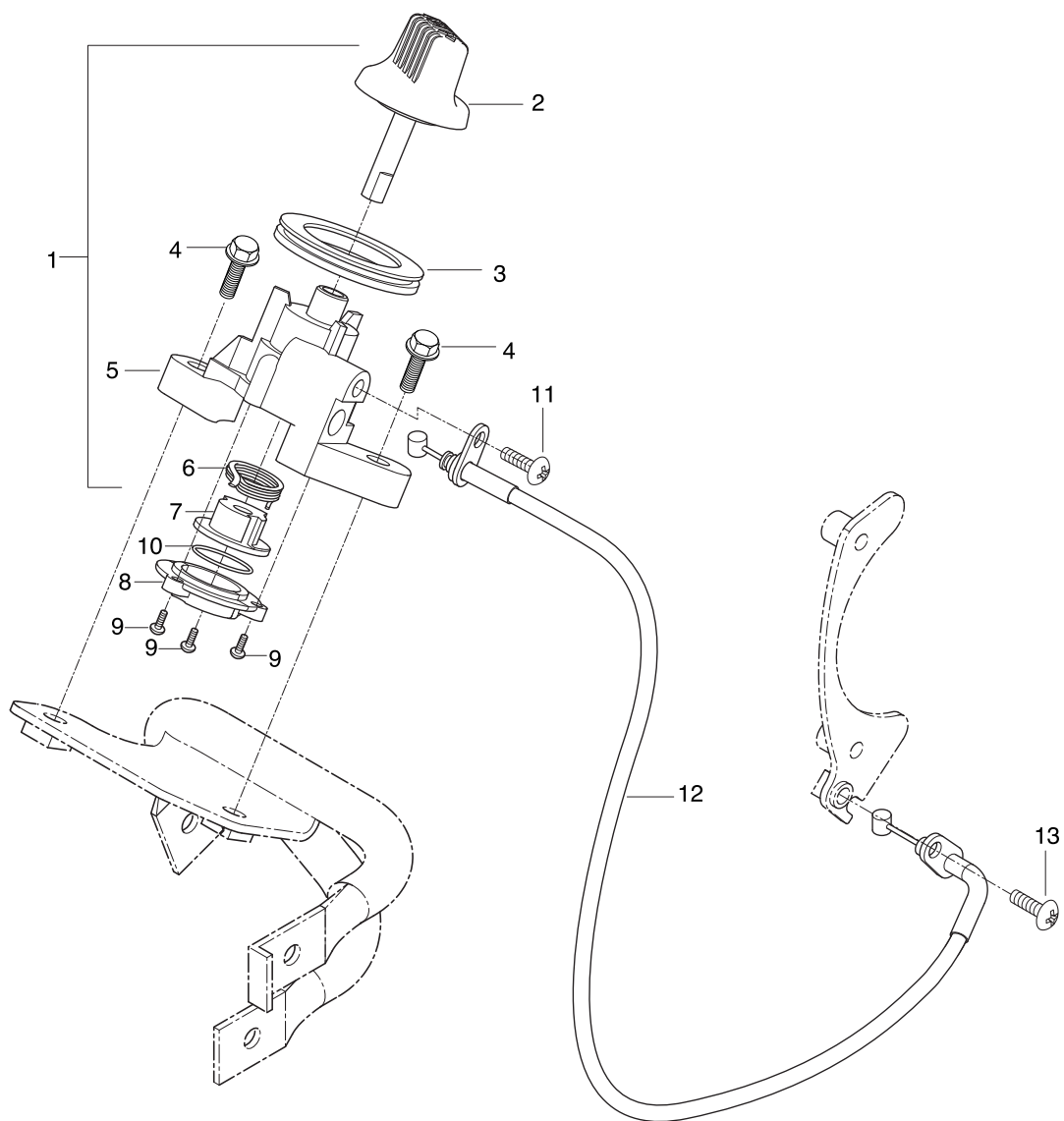


FIG 33. FRAME

REF. NO.	PART NUMBER								PARTS NAME	Q'TY	REMARKS	REC.Q'TY (PCS)
	REU01	REU03	REU04	REU07	7EN01	7EN02	RF04	RS04				
1	41100HP890003P	41100HP890003P	41100HP890003P	41100HP890003P	41100HP890003P	41100HP890003P	41100HP890003P	41100HP890003P	41100HP890003P	FRAME COMP	1	3
1-1	41100HP895003P	41100HP895003P	41100HP895003P	41100HP895003P	41100HP895003P	41100HP895003P	41100HP895003P	41100HP895003P	41100HP895003P	FRAME COMP	1	KM4AL42A981101131~
2	42100HP890003P	42100HP890003P	42100HP890003P	42100HP890003P	42100HP890003P	42100HP890003P	42100HP890003P	42100HP890003P	42100HP890003P	FRAME COMP, rear	1	5
3	07120-08258	07120-08258	07120-08258	07120-08258	07120-08258	07120-08258	07120-08258	07120-08258	07120-08258	BLT, rear frame upper	2	
4	09106H10259	09106H10259	09106H10259	09106H10259	09106H10259	09106H10259	09106H10259	09106H10259	09106H10259	BOLT, rear frame lower	2	10
5	53120HP8900	53120HP8900	53120HP8900	53120HP8900	53120HP8900	53120HP8900	53120HP8900	53120HP8900	53120HP8900	BRACE COMP, front fender RH	1	
6	53130HP8900	53130HP8900	53130HP8900	53130HP8900	53130HP8900	53130HP8900	53130HP8900	53130HP8900	53130HP8900	BRACE COMP, front fender LH	1	
7	01517-06166	01517-06166	01517-06166	01517-06166	01517-06166	01517-06166	01517-06166	01517-06166	01517-06166	BOLT, front fender brace & frame	4	
8	47171HP8900	47171HP8900	47171HP8900	47171HP8900	47171HP8900	47171HP8900	47171HP8900	47171HP8900	47171HP8900	BRACKET, side cover R/L	2	
9	09106H06150	09106H06150	09106H06150	09106H06150	09106H06150	09106H06150	09106H06150	09106H06150	09106H06150	SCREW, side cover brake & frame	2	
10	41146HP8900	41146HP8900								PLATE, front fender	1	
11	01517-06128	01517-06128	01517-06128	01517-06128	01517-06128	01517-06128	01517-06128	01517-06128	01517-06128	BOLT, front fender plate & frame	2	10
12	42511HP8900	42511HP8900	42511HP8900	42511HP8900	42511HP8900	42511HP8900	42511HP8900	42511HP8900	42511HP8900	PROTECT, engine lower	1	
13	09106H06150	09106H06150	09106H06150	09106H06150	09106H06150	09106H06150	09106H06150	09106H06150	09106H06150	SCREW, engine lower protect	3	
14	16421HP8900	16421HP8900	16421HP8900	16421HP8900	16421HP8900	16421HP8900	16421HP8900	16421HP8900	16421HP8900	PROTECT, oil tank	1	
15	09407-08307	09407-08307	09407-08307	09407-08307	09407-08307	09407-08307	09407-08307	09407-08307	09407-08307	SCRIVET, oil tank protector	3	
16	41993HP8900	41993HP8900	41993HP8900	41993HP8900	41993HP8900	41993HP8900	41993HP8900	41993HP8900	41993HP8900	PLATE, engine mounting front R	1	
17	41994HP8900	41994HP8900	41994HP8900	41994HP8900	41994HP8900	41994HP8900	41994HP8900	41994HP8900	41994HP8900	PLATE, engine mounting front L	1	
18	07120-08208	07120-08208	07120-08208	07120-08208	07120-08208	07120-08208	07120-08208	07120-08208	07120-08208	BOLT, engine mounting front lower	4	
19	16422HP8900	16422HP8900	16422HP8900	16422HP8900	16422HP8900	16422HP8900	16422HP8900	16422HP8900	16422HP8900	PROTECTOR, oil tank rear	1	
20	09106H06150	09106H06150	09106H06150	09106H06150	09106H06150	09106H06150	09106H06150	09106H06150	09106H06150	SCREW, oil tank protector	2	
21	41995HP8900	41995HP8900	41995HP8900	41995HP8900	41995HP8900	41995HP8900	41995HP8900	41995HP8900	41995HP8900	SPACE, engine mounting front L	1	
22	42199HP8900	42199HP8900	42199HP8900	42199HP8900	42199HP8900	42199HP8900	42199HP8900	42199HP8900	42199HP8900	CAP, rear frame main tube	2	
23	63112HP8900	63112HP8900	63112HP8900	63112HP8900	63112HP8900	63112HP8900	63112HP8900	63112HP8900	63112HP8900	BRACKET, rear fender rear upper	1	5
24	63113HP8900	63113HP8900	63113HP8900	63113HP8900	63113HP8900	63113HP8900	63113HP8900	63113HP8900	63113HP8900	BRACKET, rear fender rear lower	1	5
25	01517-06166	01517-06166	01517-06166	01517-06166	01517-06166	01517-06166	01517-06166	01517-06166	01517-06166	BOLT, rr fender rr & front	3	
26	09139H06016	09139H06016	09139H06016	09139H06016	09139H06016	09139H06016	09139H06016	09139H06016	09139H06016	SCREW, rr fender rr upper & lower	2	

FIG 34



FWD

FIG 34. REVERSE ASS'Y

REF. NO.	PART NUMBER								PARTS NAME	Q'TY	REMARKS	REC.Q'TY (PCS)
	REU01	REU03	REU04	REU07	7EN01	7EN02	RF04	RS04				
1	56900HP8900	56900HP8900	56900HP8900	56900HP8900	56900HP8900	56900HP8900	56900HP8900	56900HP8900	LEVER ASSY, reverse	1		10
2	56910HP8900	56910HP8900	56910HP8900	56910HP8900	56910HP8900	56910HP8900	56910HP8900	56910HP8900	LEVER COMP, reverse	1		10
3	09281H28001	09281H28001	09281H28001	09281H28001	09281H28001	09281H28001	09281H28001	09281H28001	DUST SEAL, reverse lever	1		15
4	01517-06165	01517-06165	01517-06165	01517-06165	01517-06165	01517-06165	01517-06165	01517-06165	BOLT, reverse lever ASS'Y	2		
5	56921HP8900	56921HP8900	56921HP8900	56921HP8900	56921HP8900	56921HP8900	56921HP8900	56921HP8900	HOUSING, reverse lever	1		
6	09448H11001	09448H11001	09448H11001	09448H11001	09448H11001	09448H11001	09448H11001	09448H11001	SPRING	1		
7	56922HP8900	56922HP8900	56922HP8900	56922HP8900	56922HP8900	56922HP8900	56922HP8900	56922HP8900	SPOOL, reverse cable	1		
8	56923HP8900	56923HP8900	56923HP8900	56923HP8900	56923HP8900	56923HP8900	56923HP8900	56923HP8900	CAP, reverse lever housing	1		
9	03211-03128	03211-03128	03211-03128	03211-03128	03211-03128	03211-03128	03211-03128	03211-03128	SCREW	3		
10	09281H22001	09281H22001	09281H22001	09281H22001	09281H22001	09281H22001	09281H22001	09281H22001	DUST SEAL	1		
11	02112-05106	02112-05106	02112-05106	02112-05106	02112-05106	02112-05106	02112-05106	02112-05106	SCREW	1		
12	56400HP8900	56400HP8900	56400HP8900	56400HP8900	56400HP8900	56400HP8900	56400HP8900	56400HP8900	CABLE COMP, reverse	1		
13	02142-05125	02142-05125	02142-05125	02142-05125	02142-05125	02142-05125	02142-05125	02142-05125	SCREW, erverser cable & drive chain	1		

FIG 35

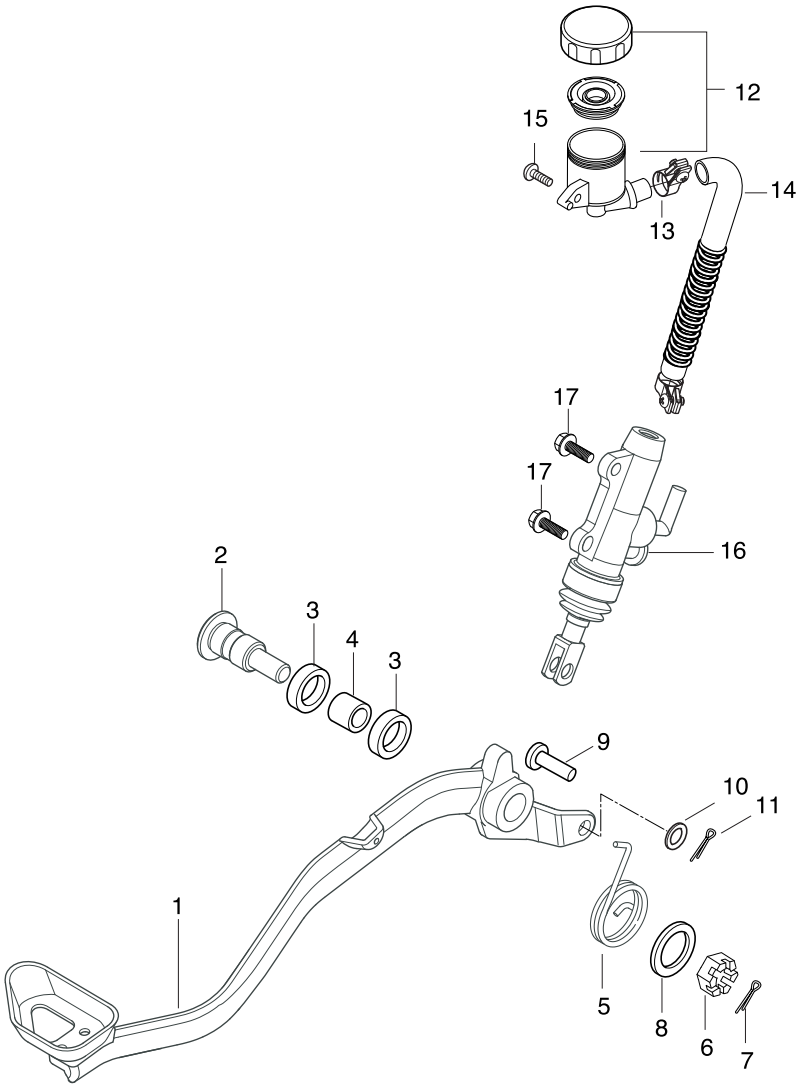


FIG 35. REAR BRAKE

REF. NO.	PART NUMBER								PARTS NAME	Q'TY	REMARKS	REC.Q'TY (PCS)
	REU01	REU03	REU04	REU07	7EN01	7EN02	RF04	RS04				
1	43111HP8900	43111HP8900	43111HP8900	43111HP8900	43111HP8900	43111HP8900	43111HP8900	43111HP8900	PEDAL COMP, rear brake	1		15
2	43114HP8900	43114HP8900	43114HP8900	43114HP8900	43114HP8900	43114HP8900	43114HP8900	43114HP8900	BOSS, brake pedal	1		
3	09284H16007	09284H16007	09284H16007	09284H16007	09284H16007	09284H16007	09284H16007	09284H16007	SEAL, brake peda;	2		20
4	43115HP8900	43115HP8900	43115HP8900	43115HP8900	43115HP8900	43115HP8900	43115HP8900	43115HP8900	BUSH, brake pedal	1		
5	09448H30002	09448H30002	09448H30002	09448H30002	09448H30002	09448H30002	09448H30002	09448H30002	SPRING, brakepedal , return	1		20
6	08314-40106	08314-40106	08314-40106	08314-40106	08314-40106	08314-40106	08314-40106	08314-40106	NUT, rear brake pedal	1		
7	04111-20206	04111-20206	04111-20206	04111-20206	04111-20206	04111-20206	04111-20206	04111-20206	COTTER PIN, rr brake pedal bolt	1		
8	08322-11106	08322-11106	08322-11106	08322-11106	08322-11106	08322-11106	08322-11106	08322-11106	WASHER, blake pedal	1		
9	09200H06040	09200H06040	09200H06040	09200H06040	09200H06040	09200H06040	09200H06040	09200H06040	PIN, rear master cylinder	1		
10	08322-21068	08322-21068	08322-21068	08322-21068	08322-21068	08322-21068	08322-21068	08322-21068	WASHER, rear master cylider	1		
11	04111-20208	04111-20208	04111-20208	04111-20208	04111-20208	04111-20208	04111-20208	04111-20208	COTTER PIN, rear m/cylinder	1		
12	69740HP8900	69740HP8900	69740HP8900	69740HP8900	69740HP8900	69740HP8900	69740HP8900	69740HP8900	TANK ASS'Y, reservoir	1		10
13	69710HP8900	69710HP8900	69710HP8900	69710HP8900	69710HP8900	69710HP8900	69710HP8900	69710HP8900	CLAMP, reserver tank hose	2		
14	69700HP8900	69700HP8900	69700HP8900	69700HP8900	69700HP8900	69700HP8900	69700HP8900	69700HP8900	HOSE ASS'Y, reservoir tank	1		
15	09106H05150	09106H05150	09106H05150	09106H05150	09106H05150	09106H05150	09106H05150	09106H05150	SCREW, reservior tank	1		
16	69609HP8900	69609HP8900	69609HP8900	69609HP8900	69609HP8900	69609HP8900	69609HP8900	69609HP8900	CYLINDER ASS'Y, rear master	1		8
17	09106H06200	09106H06200	09106H06200	09106H06200	09106H06200	09106H06200	09106H06200	09106H06200	BOLT, master cylinder	2		10

FIG 36

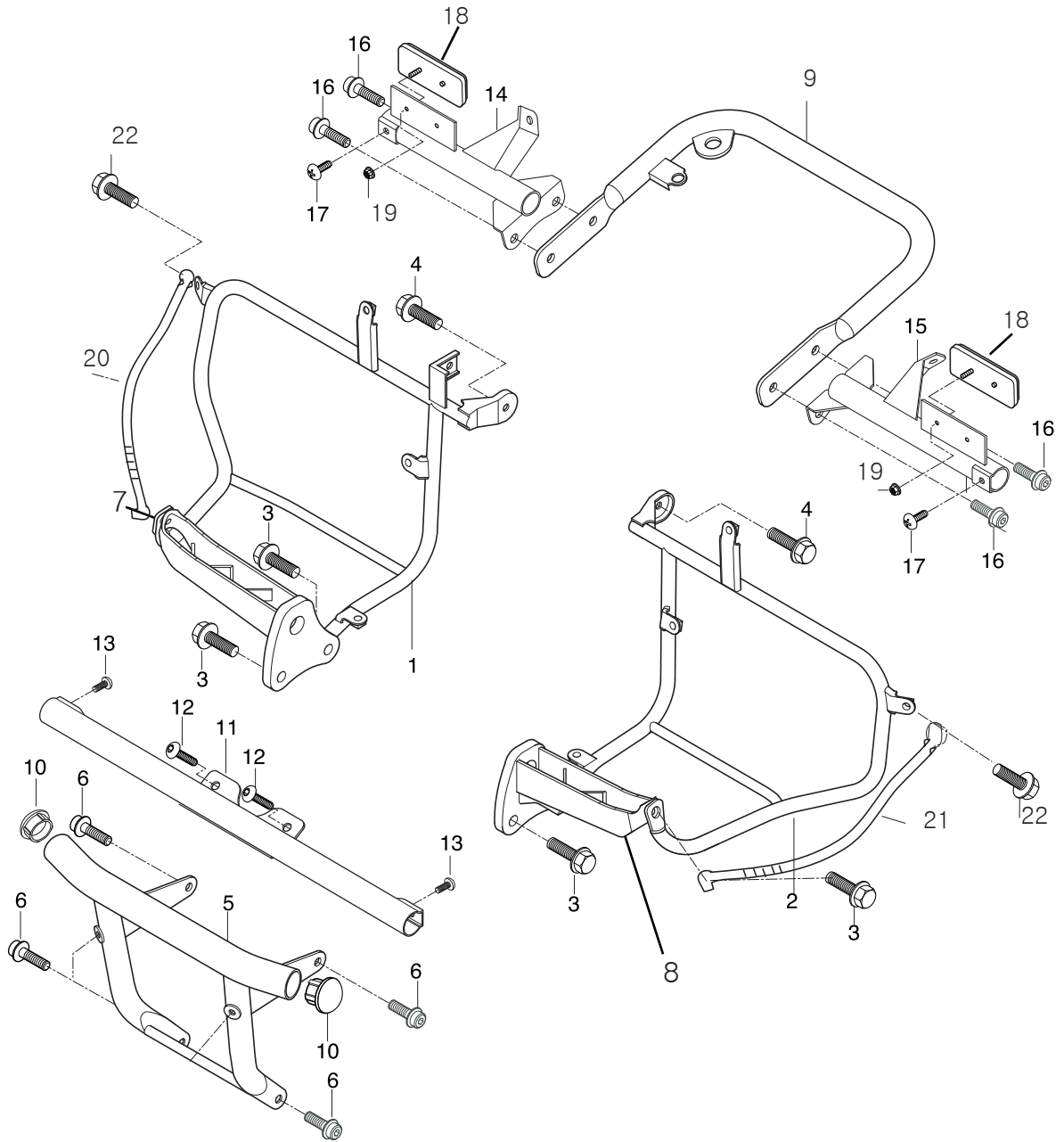


FIG 36. FRONT FOOTREST

REF. NO.	PART NUMBER								PARTS NAME	Q'TY	REMARKS	REC.Q'TY (PCS)
	REU01	REU03	REU04	REU07	7EN01	7EN02	RF04	RS04				
1	43530HP8900	43530HP8900	43530HP8900	43530HP8900	43530HP8900	43530HP8900	43530HP8900	43530HP8900	BRACE, front footrest RH	1		10
2	43540HP8900	43540HP8900	43540HP8900	43540HP8900	43540HP8900	43540HP8900	43540HP8900	43540HP8900	BRACE, front footrest LH	1		10
3	01517-10306	01517-10306	01517-10306	01517-10306	01517-10306	01517-10306	01517-10306	01517-10306	BOLT, footrest R/L	4		
4	01517-06166	01517-06166	01517-06166	01517-06166	01517-06166	01517-06166	01517-06166	01517-06166	BOLT, footrest guard brace R/L	2		
5	43990HP895003P	43990HP895003P	43990HP895003P	43990HP895003P	43990HP895003P	43990HP895003P	43990HP895003P	43990HP895003P	GRIP COMP, front	1		20
6	07120-08208	07120-08208	07120-08208	07120-08208	07120-08208	07120-08208	07120-08208	07120-08208	BOLT, front grip comp	4		
7	43510HP8900PAM	43510HP8900PAM	43510HP8900PAM	43510HP8900PAM	43510HP8900PAM	43510HP8900PAM	43510HP8900PAM	43510HP8900PAM	FOOT REST, front R	1		15
8	43520HP8900PAM	43520HP8900PAM	43520HP8900PAM	43520HP8900PAM	43520HP8900PAM	43520HP8900PAM	43520HP8900PAM	43520HP8900PAM	FOOT REST, front L	1		15
9	43980HP890003P	43980HP890003P	43980HP890003P	43980HP890003P	43980HP890003P	43980HP890003P	43980HP890003P	43980HP890003P	GRIP COMP, rear	1		5
10	43999HP8900	43999HP8900	43999HP8900	43999HP8900	43999HP8900	43999HP8900	43999HP8900	43999HP8900	CAP, front grip main pipie	2		
11	51720HP8900	51720HP8900	51720HP8900	51720HP8900	51720HP8900	51720HP8900	51720HP8900	51720HP8900	TUBE COMP, front turnsignal	1		
12	09106H06150	09106H06150	09106H06150	09106H06150	09106H06150	09106H06150	09106H06150	09106H06150	BOLT, front turnsignal tube comp	2		
13	02142-05128	02142-05128	02142-05128	02142-05128	02142-05128	02142-05128	02142-05128	02142-05128	SCREW, turn signal lamp front	2		
14	61720HP8900	61720HP8900	61720HP8900	61720HP8900	61720HP8900	61720HP8900	61720HP8900	61720HP8900	TUBE COMP, reart turnsignal RH	1		
15	61730HP8900	61730HP8900	61730HP8900	61730HP8900	61730HP8900	61730HP8900	61730HP8900	61730HP8900	TUBE COMP, resrt turn signal LH	1		
16	07120-08208	07120-08208	07120-08208	07120-08208	07120-08208	07120-08208	07120-08208	07120-08208	BOLT, grip rear	4		
17	02142-05128	02142-05128	02142-05128	02142-05128	02142-05128	02142-05128	02142-05128	02142-05128	SCREW, turn signal lamp rear	2		
18	35970-17303	35970-17303	35970-17303	35970-17303	35970-17303	35970-17303	35970-17303	35970-17303	REFLEX REFLECTOR ASS'Y, rear	2		
19	08316-26055	08316-26055	08316-26055	08316-26055	08316-26055	08316-26055	08316-26055	08316-26055	NUT, reflex reflector	2		
20	43620HP8900	43620HP8900	43620HP8900	43620HP8900	43620HP8900	43620HP8900	43620HP8900	43620HP8900	BRACKET COMP, pillion footrest RH	1		
21	43630HP8900	43630HP8900	43630HP8900	43630HP8900	43630HP8900	43630HP8900	43630HP8900	43630HP8900	BRACKET COMP, pillion footrest LH	1		
22	01547-06408	01547-06408	01547-06408	01547-06408	01547-06408	01547-06408	01547-06408	01547-06408	BOLT, footrest guard & pillion footr	2		

FIG.37

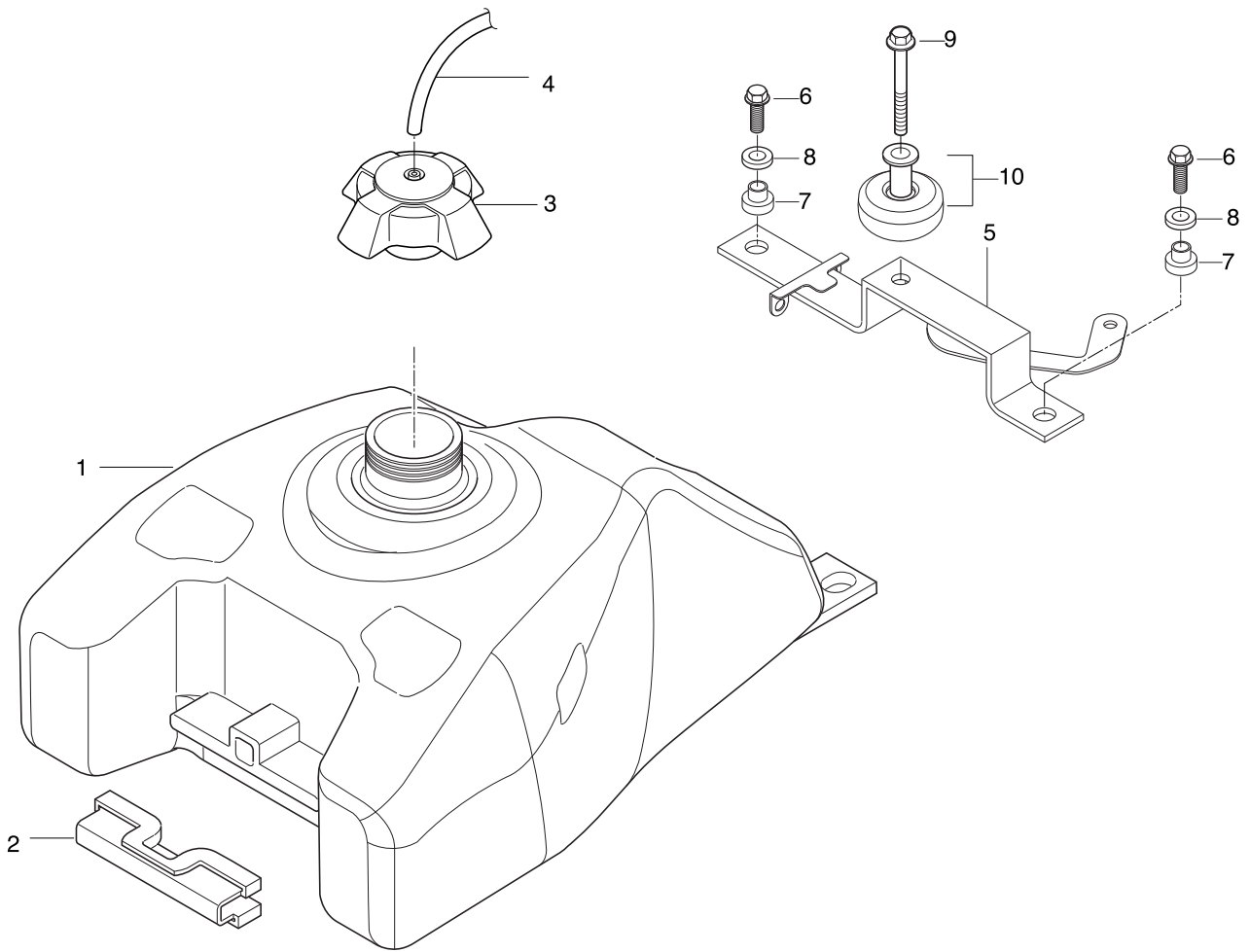
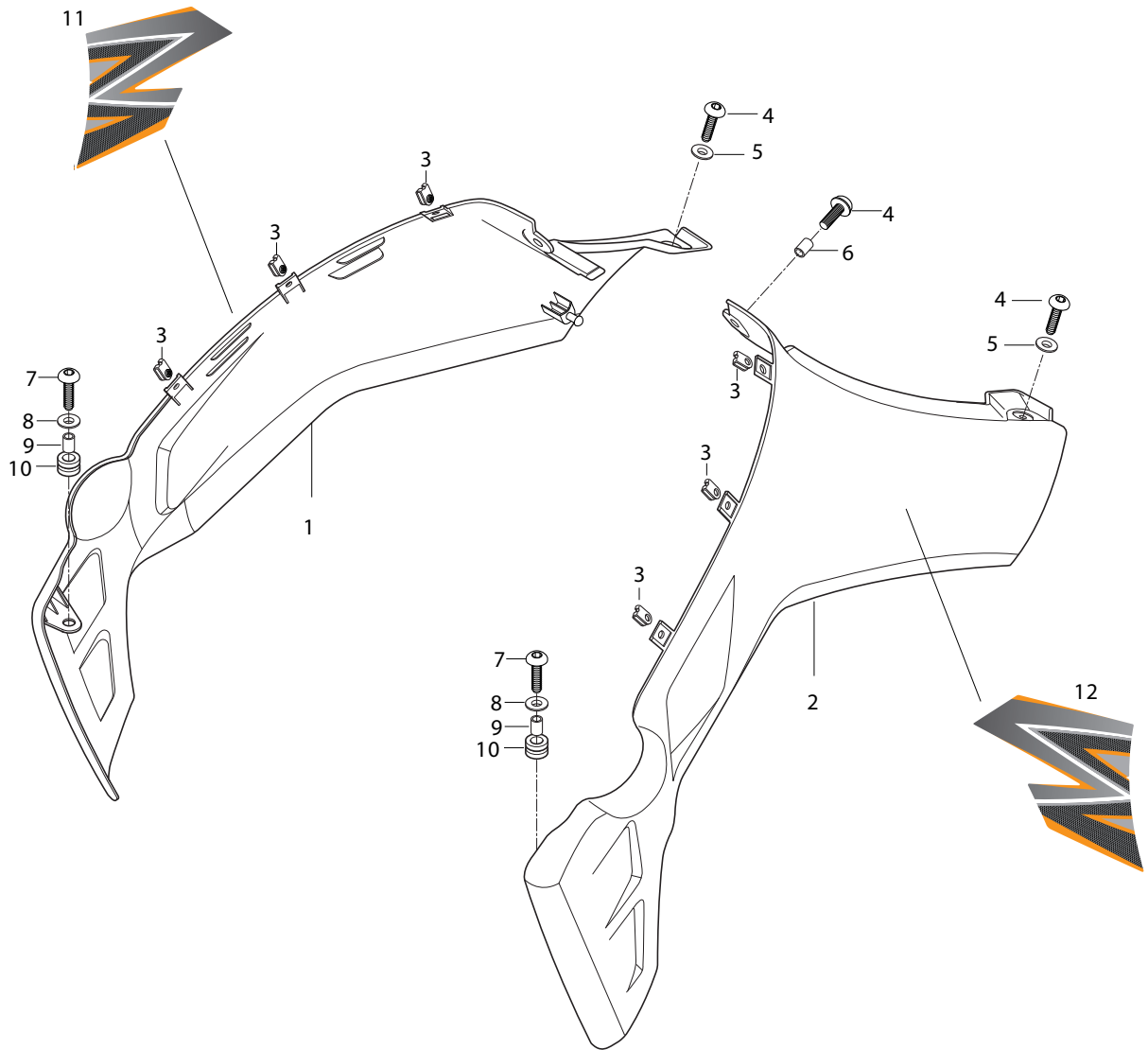


FIG 37. FUEL TANK

REF. NO.	PART NUMBER								PARTS NAME	Q`TY	REMARKS	REC.Q`TY (PCS)
	REU01	REU03	REU04	REU07	7EN01	7EN02	RF04	RS04				
1	44110HP8900PAH	44110HP8900PAH	44110HP8900PAH	44110HP8900PAH	44110HP8900PAH	44110HP8900PAH	44110HP8900PAH	44110HP8900PAH	TANK ASS'Y, fuel(without fuel gau	1		8
2	44511HP8900	44511HP8900	44511HP8900	44511HP8900	44511HP8900	44511HP8900	44511HP8900	44511HP8900	CUSHION, fuel tank front	1		20
3	44200HP8900	44200HP8900	44200HP8900	44200HP8900	44200HP8900	44200HP8900	44200HP8900	44200HP8900	CAP COMP, fuel tank	1		
4	09343-05052	09343-05052	09343-05052	09343-05052	09343-05052	09343-05052	09343-05052	09343-05052	HOSE, fuel tank bredther	1		5
5	45118HP8900	45118HP8900	45118HP8900	45118HP8900	45118HP8900	45118HP8900	45118HP8900	45118HP8900	PLATE, seat front hook NO.1	1		
6	01107-06256	01107-06256	01107-06256	01107-06256	01107-06256	01107-06256	01107-06256	01107-06256	BOLT, fuel tank	2		
7	09320H10039	09320H10039	09320H10039	09320H10039	09320H10039	09320H10039	09320H10039	09320H10039	CUSHION, fuel tank NO.1	2		20
8	09180H06066	09180H06066	09180H06066	09180H06066	09180H06066	09180H06066	09180H06066	09180H06066	SPACER, fuel tank	2		
9	01517-08508	01517-08508	01517-08508	01517-08508	01517-08508	01517-08508	01517-08508	01517-08508	BOLT, seat front hook plate	1		
10	45220HP8900	45220HP8900	45220HP8900	45220HP8900	45220HP8900	45220HP8900	45220HP8900	45220HP8900	HOOK COMP, seat	1		

FIG 38



FWD

FIG 38. SIDE COVER

REF. NO.	PART NUMBER								PARTS NAME	Q'TY	REMARKS	REC.Q'TY (PCS)
	REU01	REU03	REU04	REU07	7EN01	7EN02	RF04	RS04				
1	47111HP8900	47111HP8900	47111HP8900	47111HP8900	47111HP8900	47111HP8900	47111HP8900	47111HP8900	COVER, side R (color : 0LR, SDK)	1		15
2	47211HP8900	47211HP8900	47211HP8900	47211HP8900	47211HP8900	47211HP8900	47211HP8900	47211HP8900	COVER, side L (color : 0LR, SDK)	1		15
3	09148H05029	09148H05029	09148H05029	09148H05029	09148H05029	09148H05029	09148H05029	09148H05029	NUT, side cover & front fender	6		
4	09106H06208	09106H06208	09106H06208	09106H06208	09106H06208	09106H06208	09106H06208	09106H06208	SCREW, side cover	1		
5	09160-06060	09160-06060	09160-06060	09160-06060	09160-06060	09160-06060	09160-06060	09160-06060	WASHER, side cover	1		
6	09180-06084	09180-06084	09180-06084	09180-06084	09180-06084	09180-06084	09180-06084	09180-06084	SPACER, side cover	1		
7	09119H06208	09119H06208	09119H06208	09119H06208	09119H06208	09119H06208	09119H06208	09119H06208	SCREW, side cover & frame	2		
8	09160-06060	09160-06060	09160-06060	09160-06060	09160-06060	09160-06060	09160-06060	09160-06060	WASHER, side cover	2		
9	09180-06030	09180-06030	09180-06030	09180-06030	09180-06030	09180-06030	09180-06030	09180-06030	SPACER, side cover & side cover BF	2		
10	09320-09016	09320-09016	09320-09016	09320-09016	09320-09016	09320-09016	09320-09016	09320-09016	CUSHION, side cover & side cover F	2		
11	68134HP8900B8	68134HP8900B8	68134HP8900B8	68134HP8900B8	68134HP8900B8	68134HP8900B8	68134HP8900B8	68134HP8900B8	TAPE, side front fender R (OLR)	1		
	68134HP8900B9	68134HP8900B9	68134HP8900B9	68134HP8900B9	68134HP8900B9	68134HP8900B9	68134HP8900B9	68134HP8900B9	TAPE, side front fender R (SDK)	1		
12	68136HP8900B8	68136HP8900B8	68136HP8900B8	68136HP8900B8	68136HP8900B8	68136HP8900B8	68136HP8900B8	68136HP8900B8	TAPE, side front fender L (OLR)	1		
	68136HP8900B9	68136HP8900B9	68136HP8900B9	68136HP8900B9	68136HP8900B9	68136HP8900B9	68136HP8900B9	68136HP8900B9	TAPE, side front fender L (SDK)	1		

FIG 39

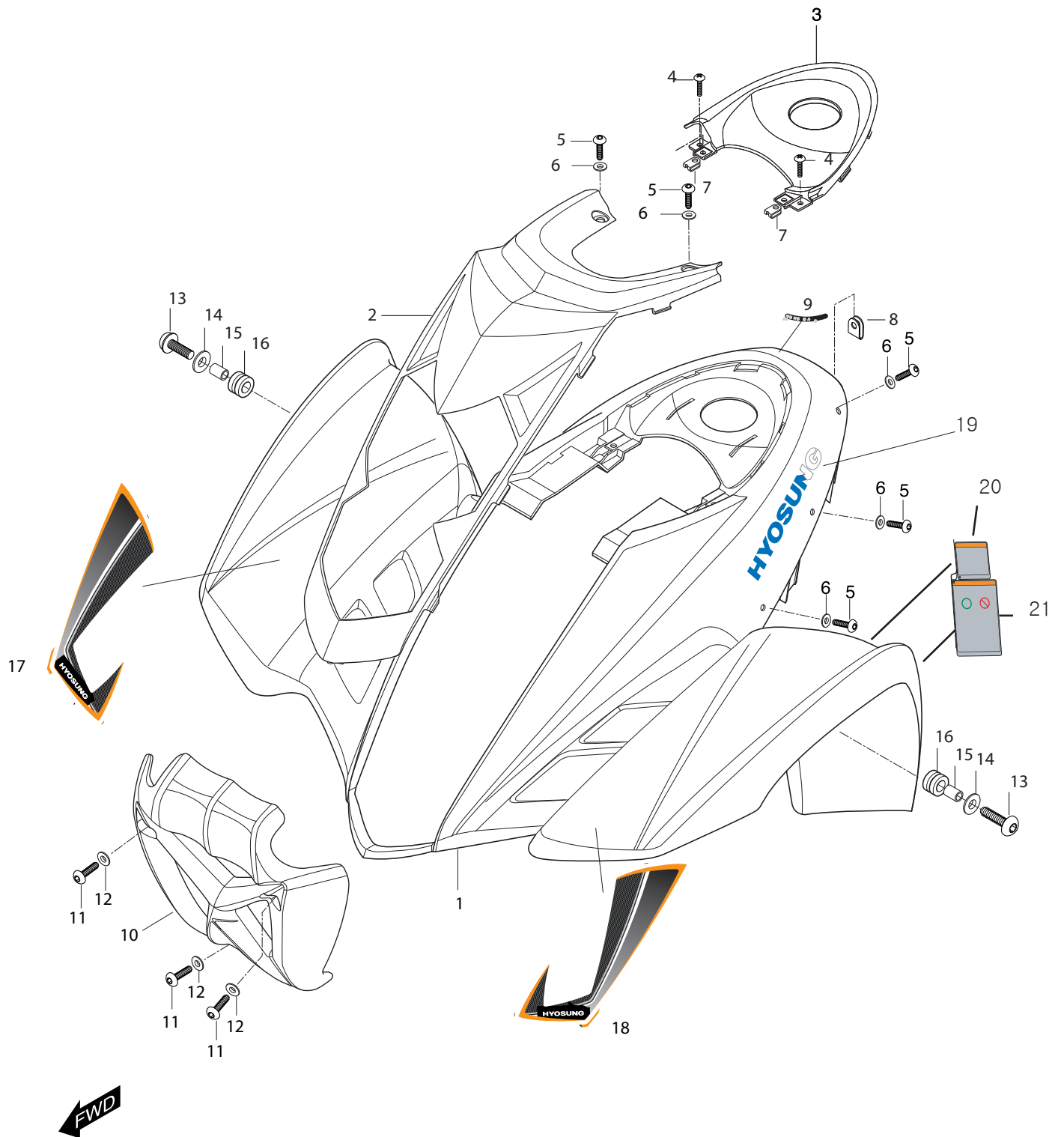


FIG 39. FRONT FENDER

REF. NO.	PART NUMBER								PARTS NAME	Q`TY	REMARKS	REC.Q`TY (PCS)
	REU01	REU03	REU04	REU07	7EN01	7EN02	RF04	RS04				
1	53111HP8950	53111HP8950	53111HP8950	53111HP8950	53111HP8950	53111HP8950	53111HP8950	53111HP8950	FENDER, front (color : OLR, SDK)	1		15
2	53118HP8950	53118HP8950	53118HP8950	53118HP8950	53118HP8950	53118HP8950	53118HP8950	53118HP8950	FENDER, center front	1		15
3	53119HP8900	53119HP8900	53119HP8900	53119HP8900	53119HP8900	53119HP8900	53119HP8900	53119HP8900	FENDER, center rear	1		15
4	02142-05125	02142-05125	02142-05125	02142-05125	02142-05125	02142-05125	02142-05125	02142-05125	SCREW, front fender center rear	2		
5	09106H05150	09106H05150	09106H05150	09106H05150	09106H05150	09106H05150	09106H05150	09106H05150	SCREW, front fender & side cover	8		
6	09106H05078	09106H05078	09106H05078	09106H05078	09106H05078	09106H05078	09106H05078	09106H05078	WASHER, front fender & side cover	8		
7	09148H05029	09148H05029	09148H05029	09148H05029	09148H05029	09148H05029	09148H05029	09148H05029	NUT, front fender center rear	2		
8	09148H05029	09148H05029	09148H05029	09148H05029	09148H05029	09148H05029	09148H05029	09148H05029	NUT, front fender rear	1		
9	68930HP8950	68930HP8950	68930HP8950	68930HP8950	68930HP8950	68930HP8950	68930HP8990	68930HP8980	LABEL, unleaded fuel	1		
10	43970HP8950	43970HP8950	43970HP8950	43970HP8950	43970HP8950	43970HP8950	43970HP8950	43970HP8950	GRIP COMP, FRONT	2		
11	09106H06150	09106H06150	09106H06150	09106H06150	09106H06150	09106H06150	09106H06150	09106H06150	SCREW, front grip	2		
12	09169H06078	09169H06078	09169H06078	09169H06078	09169H06078	09169H06078	09169H06078	09169H06078	WASHER, fdront grip	2		
13	09106H06200	09106H06200	09106H06200	09106H06200	09106H06200	09106H06200	09106H06200	09106H06200	SCREW, front grip	2		
14	09160-06006	09160-06006	09160-06006	09160-06006	09160-06006	09160-06006	09160-06006	09160-06006	WASHER, fdront grip	2		
15	09180-06030	09180-06030	09180-06030	09180-06030	09180-06030	09180-06030	09180-06030	09180-06030	SPACER, FRONT FENDER BRACE &	2		
16	09320-09016	09320-09016	09320-09016	09320-09016	09320-09016	09320-09016	09320-09016	09320-09016	CUSHION, FRONT FENDER BRACE	1		
17	68124HP8900B8	68124HP8900B8	68124HP8900B8	68124HP8900B8	68124HP8900B8	68124HP8900B8	68124HP8900B8	68124HP8900B8	TAPE, front fender RH (OLR)	1		10
	68124HP8900B9	68124HP8900B9	68124HP8900B9	68124HP8900B9	68124HP8900B9	68124HP8900B9	68124HP8900B9	68124HP8900B9	TAPE, front fender RH (SDK)			
18	68126HP8900B8	68126HP8900B8	68126HP8900B8	68126HP8900B8	68126HP8900B8	68126HP8900B8	68126HP8900B8	68126HP8900B8	TAPE, front fender LH (OLR)	1		10
	68126HP8900B9	68126HP8900B9	68126HP8900B9	68126HP8900B9	68126HP8900B9	68126HP8900B9	68126HP8900B9	68126HP8900B9	TAPE, front fender LH (SDK)			
19	68120HP8900120	68120HP8900120	68120HP8900120	68120HP8900120	68120HP8900120	68120HP8900120	68120HP8900120	68120HP8900120	EMBLEM, HYOSUNG (for OLR)	1		
	68120HP890003P	68120HP890003P	68120HP890003P	68120HP890003P	68120HP890003P	68120HP890003P	68120HP890003P	68120HP890003P	EMBLEM, HYOSUNG (for SDK)	1		
20	68400HP8960PL	68400HP8960PL	68400HP8960PL	68400HP8960PL	68400HP8960PL	68400HP8960PL	68400HP8990PL	68400HP8980PL	LABEL, reverse	1		
21	68921HP8960PL	68921HP8960PL	68921HP8960PL	68921HP8960PL	68921HP8960PL	68921HP8960PL	68921HP8990PL	68921HP8980PL	LABEL, general warning	1		

FIG 40

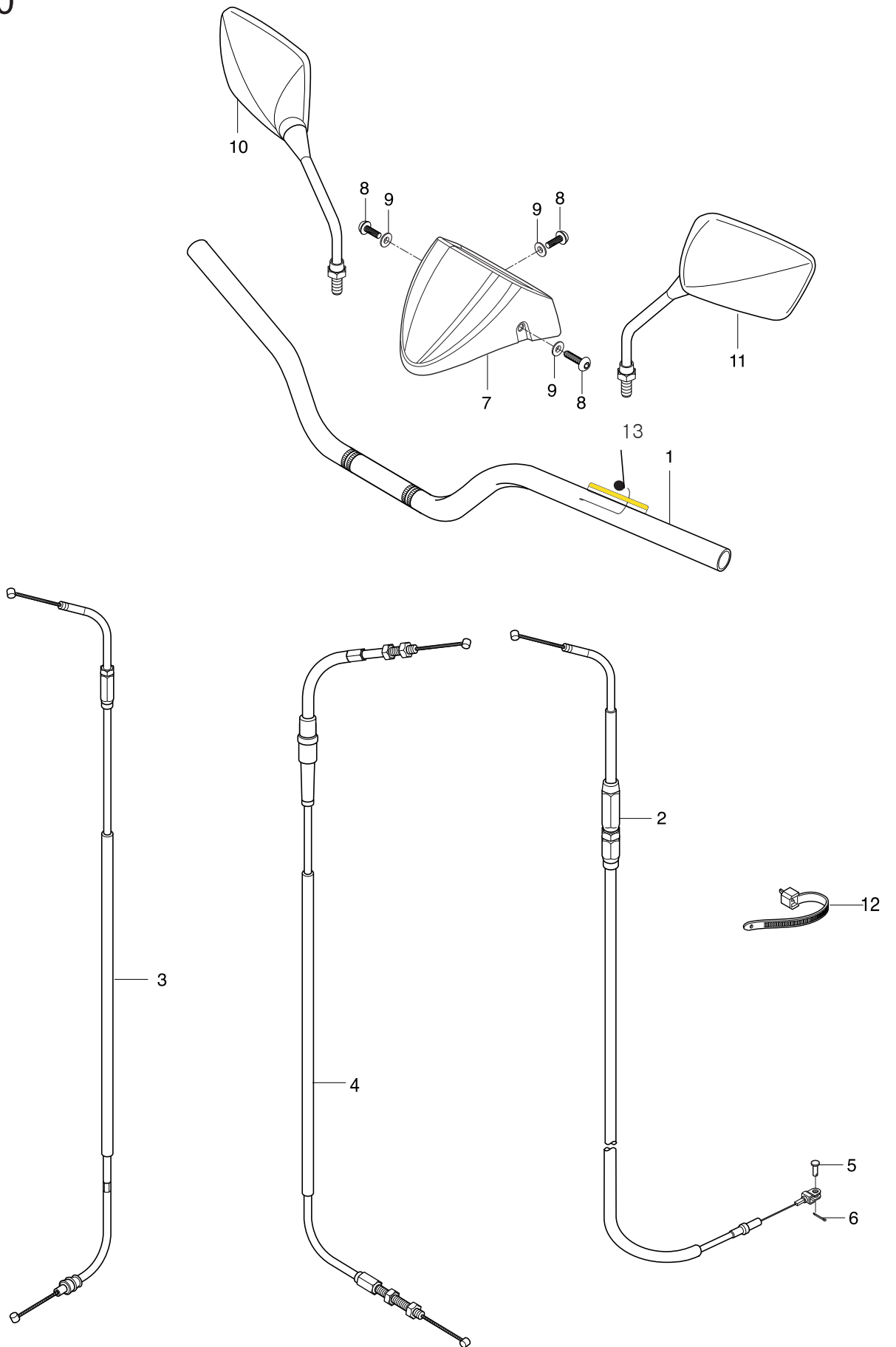


FIG 40. HANDLE BAR

REF. NO.	PART NUMBER								PARTS NAME	Q`TY	REMARKS	REC.Q`TY (PCS)
	REU01	REU03	REU04	REU07	7EN01	7EN02	RF04	RS04				
1	56110HP8900	56110HP8900	56110HP8900	56110HP8900	56110HP8900	56110HP8900	56110HP8900	56110HP8900	HANDLEBAR COMP	1		12
2	58300HP8900	58300HP8900	58300HP8900	58300HP8900	58300HP8900	58300HP8900	58300HP8900	58300HP8900	CABLE ASS'Y, throttle	1		20
3	58800HP8900	58800HP8900	58800HP8900	58800HP8900	58800HP8900	58800HP8900	58800HP8900	58800HP8900	CABLE ASS'Y, parking	1		20
4	58200HP8900	58200HP8900	58200HP8900	58200HP8900	58200HP8900	58200HP8900	58200HP8900	58200HP8900	CABLE ASS'Y, clutch	1		20
5	09200-06004	09200-06004	09200-06004	09200-06004	09200-06004	09200-06004	09200-06004	09200-06004	PIN, clutch cable	1		
6	04111-20158	04111-20158	04111-20158	04111-20158	04111-20158	04111-20158	04111-20158	04111-20158	COTTER PIN, clutch cable	1		
7	56171HP8900	56171HP8900	56171HP8900	56171HP8900	56171HP8900	56171HP8900	56171HP8900	56171HP8900	COVER, steering head	1		
8	09106H05150	09106H05150	09106H05150	09106H05150	09106H05150	09106H05150	09106H05150	09106H05150	SCREW, steering head cover	2		
9	09169H05078	09169H05078	09169H05078	09169H05078	09169H05078	09169H05078	09169H05078	09169H05078	WASHER, steering head cover	3		15
10	56500HM5450	56500HM5450	56500HM5450	56500HM5450	56500HM5450	56500HM5450	56500HM5450	56500HM5450	MIRROR ASS'Y, rear view R	1		10
11	56600HM5450	56600HM5450	56600HM5450	56600HM5450	56600HM5450	56600HM5450	56600HM5450	56600HM5450	MIRROR ASS'Y, rear view L	1		
11-1	56501HM5450	56501HM5450	56501HM5450	56501HM5450	56501HM5450	56501HM5450	56501HM5450	56501HM5450	MIRROR SET(R/no.10+11)	1		
12	09407-14403	09407-14403	09407-14403	09407-14403	09407-14403	09407-14403	09407-14403	09407-14403	CLAMP, wiring harness	1		
13	68343HK3100	68343HK3100	68343HK3100	68343HK3100	68343HK3100	68343HK3100	68343HP8990PL	68343HP8980PL	LABEL, parking brake	1		

FIG 41

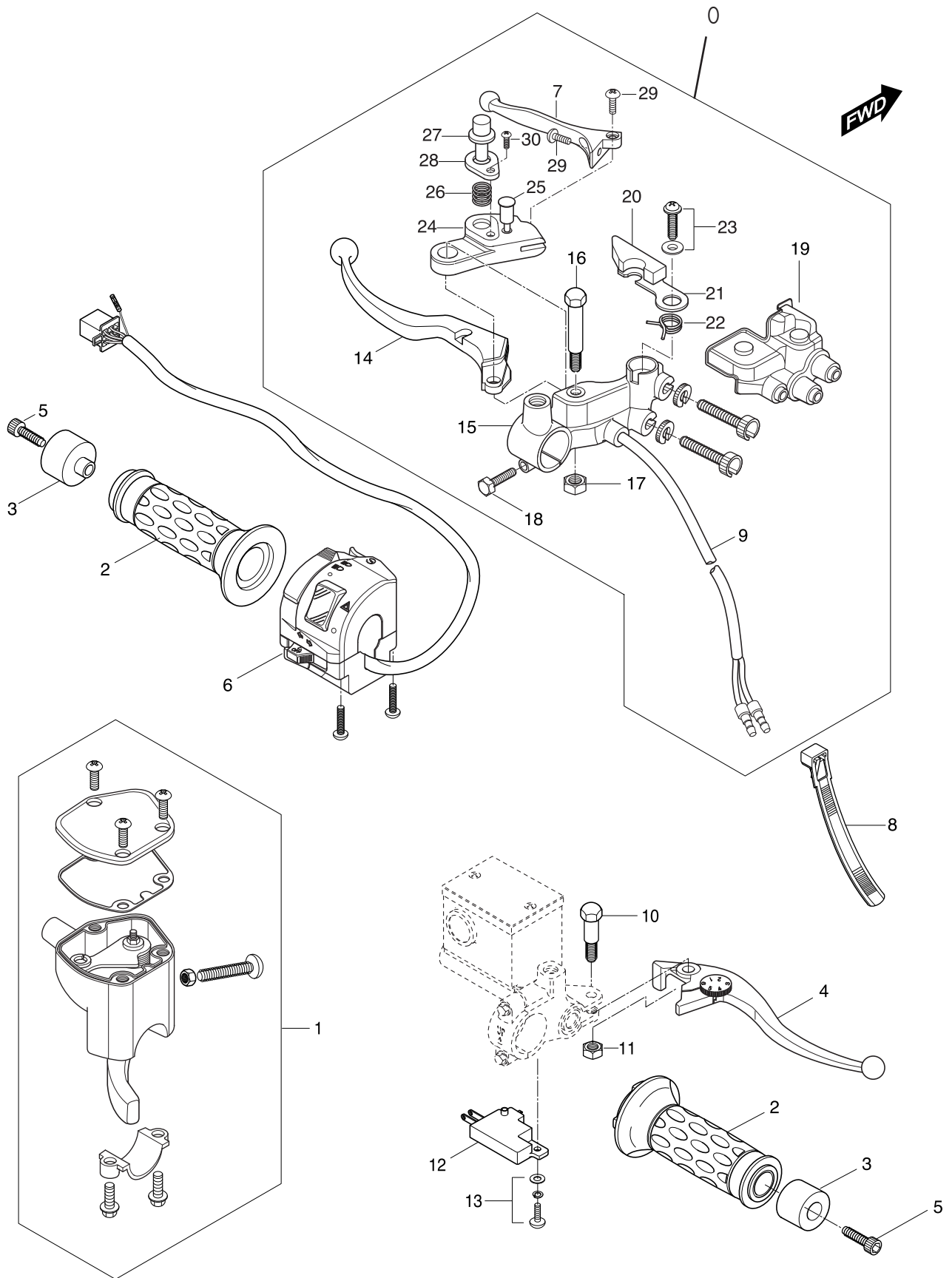
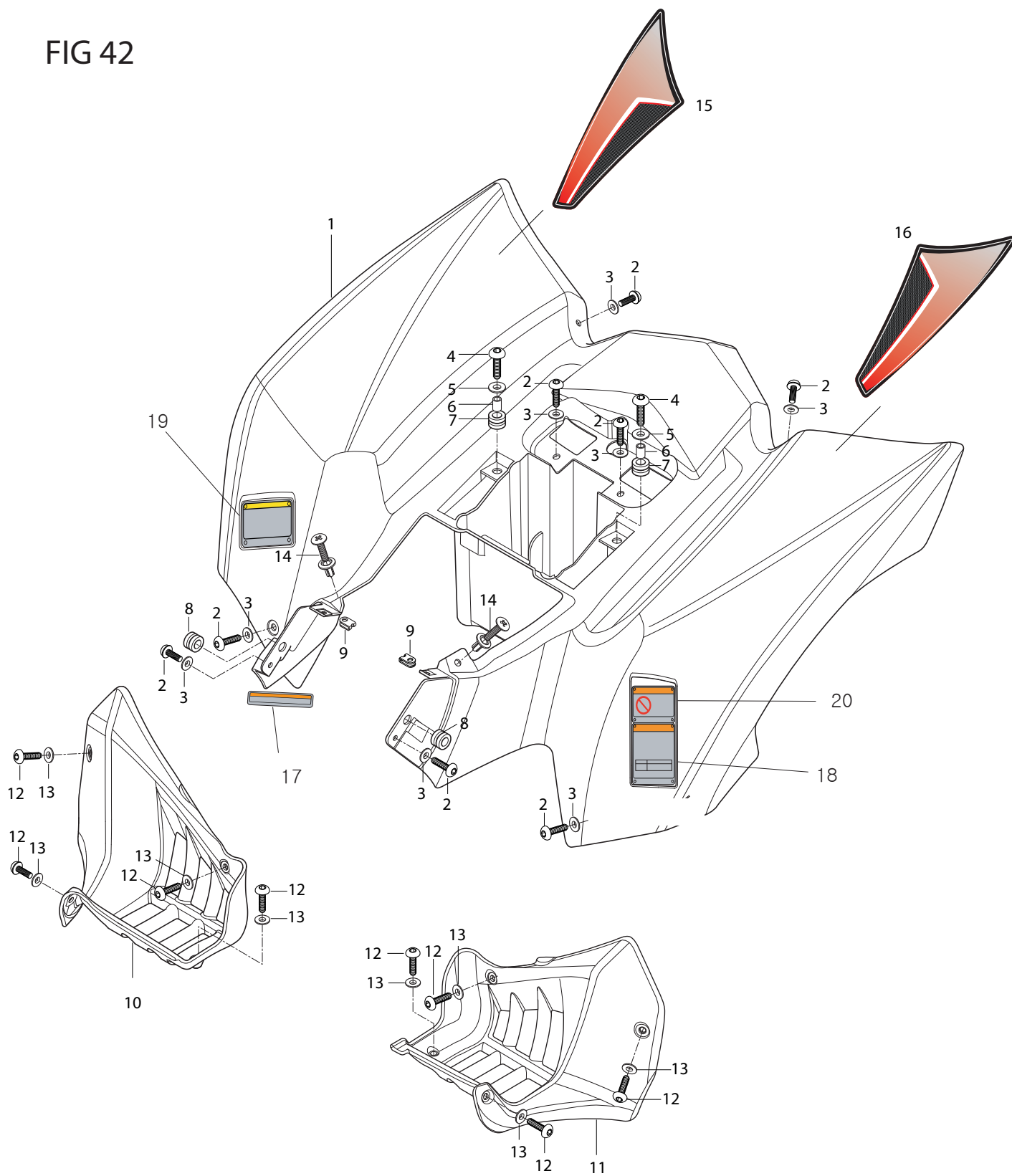


FIG 41. HANDLE SWITCH

REF. NO.	PART NUMBER								PARTS NAME	Q'TY	REMARKS	REC.Q'TY (PCS)
	REU01	REU03	REU04	REU07	7EN01	7EN02	RF04	RS04				
'0	57500HP8900	57500HP8900	57500HP8900	57500HP8900	57500HP8900	57500HP8900	57500HP8900	57500HP8900	CLUTCH LEVER ASS'Y	1		1
1	57100HP8900	57100HP8900	57100HP8900	57100HP8900	57100HP8900	57100HP8900	57100HP8900	57100HP8900	CASE ASSY, throttle	1		5
2	57211HG5800	57211HG5800	57211HG5800	57211HG5800	57211HG5800	57211HG5800	57211HG5800	57211HG5800	GRIP, handle	2		30
3	56271H93B010BF	56271H93B010BF	56271H93B010BF	56271H93B010BF	56271H93B010BF	56271H93B010BF	56271H93B010BF	56271H93B010BF	BALANCER, handlebar	2		10
4	57300HP9500	57300HP9500	57300HP9500	57300HP9500	57300HP9500	57300HP9500	57300HP9500	57300HP9500	LEVER ASS'Y, brake	1		5
5	07110-08255	07110-08255	07110-08255	07110-08255	07110-08255	07110-08255	07110-08255	07110-08255	BOLT, handle balancer	2		10
6	37400HP8900	37400HP8900	37400HP8900	37400HP8900	37400HP8900	37400HP8900	37400HP8900	37400HP8900	SWITCH ASSY, handle LH	1		10
7	57351HP8900	57351HP8900	57351HP8900	57351HP8900	57351HP8900	57351HP8900	57351HP8900	57351HP8900	LEVER, secondary brake	1		10
8	09407-20406	09407-20406	09407-20406	09407-20406	09407-20406	09407-20406	09407-20406	09407-20406	CLAMP	2		
9	57460HP8900	57460HP8900	57460HP8900	57460HP8900	57460HP8900	57460HP8900	57460HP8900	57460HP8900	SWITCH ASSY, clutch	1		10
10	57431HN9101	57431HN9101	57431HN9101	57431HN9101	57431HN9101	57431HN9101	57431HN9101	57431HN9101	BOLT, brake lever pivot	1		
11	08319-21068	08319-21068	08319-21068	08319-21068	08319-21068	08319-21068	08319-21068	08319-21068	NUT, brake lever pivot	1		
12	57460-17C00	57460-17C00	57460-17C00	57460-17C00	57460-17C00	57460-17C00	57460-17C00	57460-17C00	SWITCH ASSY STOP	1		
13	02112-74108	02112-74108	02112-74108	02112-74108	02112-74108	02112-74108	02112-74108	02112-74108	SCREW, stop switch	1		
14	57620HP9500	57620HP9500	57620HP9500	57620HP9500	57620HP9500	57620HP9500	57620HP9500	57620HP9500	LEVER COMP, clutch	1		
15	57511HP8900	57511HP8900	57511HP8900	57511HP8900	57511HP8900	57511HP8900	57511HP8900	57511HP8900	HOLDER, clutch lever	1		
16	57531HP8900	57531HP8900	57531HP8900	57531HP8900	57531HP8900	57531HP8900	57531HP8900	57531HP8900	BOLT, clutch lever pivot	1		
17	08319-21068	08319-21068	08319-21068	08319-21068	08319-21068	08319-21068	08319-21068	08319-21068	NUT, clutch lever pivot	1		
18	57451H93B00	57451H93B00	57451H93B00	57451H93B00	57451H93B00	57451H93B00	57451H93B00	57451H93B00	BOLT, clutch lever holder	1		
19	57661HP8900	57661HP8900	57661HP8900	57661HP8900	57661HP8900	57661HP8900	57661HP8900	57661HP8900	COVER, clutch lever	1		10
20	57811HP8900	57811HP8900	57811HP8900	57811HP8900	57811HP8900	57811HP8900	57811HP8900	57811HP8900	KNOB, parking brake lever	1		
21	57812HP8900	57812HP8900	57812HP8900	57812HP8900	57812HP8900	57812HP8900	57812HP8900	57812HP8900	LEVER, parking brake	1		
22	09448H15003	09448H15003	09448H15003	09448H15003	09448H15003	09448H15003	09448H15003	09448H15003	SPRING	1		
23	02112-95105	02112-95105	02112-95105	02112-95105	02112-95105	02112-95105	02112-95105	02112-95105	SCREW	1		
24	57820HP8900	57820HP8900	57820HP8900	57820HP8900	57820HP8900	57820HP8900	57820HP8900	57820HP8900	ARM COMP, parking brake	1		10
25	57825HP8900	57825HP8900	57825HP8900	57825HP8900	57825HP8900	57825HP8900	57825HP8900	57825HP8900	CAP, PIN	1		
26	09440H14011	09440H14011	09440H14011	09440H14011	09440H14011	09440H14011	09440H14011	09440H14011	SPRING	1		10
27	57823HP8900	57823HP8900	57823HP8900	57823HP8900	57823HP8900	57823HP8900	57823HP8900	57823HP8900	PIN, parking brake	1		10
28	57824HP8900	57824HP8900	57824HP8900	57824HP8900	57824HP8900	57824HP8900	57824HP8900	57824HP8900	COVER, parking brake spring	1		10
29	02112-05125	02112-05125	02112-05125	02112-05125	02112-05125	02112-05125	02112-05125	02112-05125	BOLT	2		
30	02112-43085	02112-43085	02112-43085	02112-43085	02112-43085	02112-43085	02112-43085	02112-43085	SCREW	1		

FIG 42



FWD

FIG 42. REAR FENDER

REF. NO.	PART NUMBER								PARTS NAME	Q'TY	REMARKS	REC.Q'TY (PCS)
	REU01	REU03	REU04	REU07	7EN01	7EN02	RF04	RS04				
1	63111HP89003R3	63111HP89003R3	63111HP89003R3	63111HP89003R3	63111HP89003R3	63111HP89003R3	63111HP89003R3	63111HP89003R3	63111HP89003R3	FENDER, rear(OLR)	1	15
	63111HP8900291	63111HP8900291	63111HP8900291	63111HP8900291	63111HP8900291	63111HP8900291	63111HP8900291	63111HP8900291	63111HP8900291	FENDER, rear(SDK)	1	
2	09106H06150	09106H06150	09106H06150	09106H06150	09106H06150	09106H06150	09106H06150	09106H06150	09106H06150	BOLT, rear fender & rear turnsignal	2	
3	09169H06078	09169H06078	09169H06078	09169H06078	09169H06078	09169H06078	09169H06078	09169H06078	09169H06078	WASHER, rear fender & rear turn sig	2	
4	09106H06200	09106H06200	09106H06200	09106H06200	09106H06200	09106H06200	09106H06200	09106H06200	09106H06200	BOTL, front fender brace & fender	2	
5	09160-06006	09160-06006	09160-06006	09160-06006	09160-06006	09160-06006	09160-06006	09160-06006	09160-06006	WASHER, front fender brace & fende	2	
6	09180-06030	09180-06030	09180-06030	09180-06030	09180-06030	09180-06030	09180-06030	09180-06030	09180-06030	SPACER, front fender brace & fende	2	
7	09320-09016	09320-09016	09320-09016	09320-09016	09320-09016	09320-09016	09320-09016	09320-09016	09320-09016	CUSHION, front fender brace & fend	2	20
8	09320-08018	09320-08018	09320-08018	09320-08018	09320-08018	09320-08018	09320-08018	09320-08018	09320-08018	CUSHION, rear fender & side cover	2	20
9	09148H05029	09148H05029	09148H05029	09148H05029	09148H05029	09148H05029	09148H05029	09148H05029	09148H05029	NUT, rear fender & side cover	2	
10	63331HP8900	63331HP8900	63331HP8900	63331HP8900	63331HP8900	63331HP8900	63331HP8900	63331HP8900	63331HP8900	MUDGUARD, footrest RH	1	15
11	63341HP8900	63341HP8900	63341HP8900	63341HP8900	63341HP8900	63341HP8900	63341HP8900	63341HP8900	63341HP8900	MUDGUARD, footrest LH	1	15
12	09106H06150	09106H06150	09106H06150	09106H06150	09106H06150	09106H06150	09106H06150	09106H06150	09106H06150	SCREW, footrest mudguard R/L	8	
13	09169H06078	09169H06078	09169H06078	09169H06078	09169H06078	09169H06078	09169H06078	09169H06078	09169H06078	WASHER, footrest mudguard R/L	8	
14	09407-08307	09407-08307	09407-08307	09407-08307	09407-08307	09407-08307	09407-08307	09407-08307	09407-08307	SCRIVET, rear fender & rear frame f	2	
15	68144HP8950B8	68144HP8950B8	68144HP8950B8	68144HP8950B8	68144HP8950B8	68144HP8950B8	68144HP8950B8	68144HP8950B8	68144HP8950B8	TAPE, rear fender RH (OLR)	1	10
	68144HP8950B9	68144HP8950B9	68144HP8950B9	68144HP8950B9	68144HP8950B9	68144HP8950B9	68144HP8950B9	68144HP8950B9	68144HP8950B9	TAPE, rear fender RH (SDK)	1	
16	68146HP8950B8	68146HP8950B8	68146HP8950B8	68146HP8950B8	68146HP8950B8	68146HP8950B8	68146HP8950B8	68146HP8950B8	68146HP8950B8	TAPE, rear fender LH (OLR)	1	10
	68146HP8950B9	68146HP8950B9	68146HP8950B9	68146HP8950B9	68146HP8950B9	68146HP8950B9	68146HP8950B9	68146HP8950B9	68146HP8950B9	TAPE, rear fender LH (SDK)	1	
17	68320HK3100	68320HK3100	68320HK3100	68320HK3100	68320HK3100	68320HK3100	68320HK3100	68320HP8990PL	68320HP8980PL	LABEL, chain case	1	
18	68333HP8960PL	68333HP8960PL	68333HP8960PL	68333HP8960PL	68332HP8960PL	68333HP8960PL	68333HP8960PL	68332HP8990PL	68332HP8980PL	LABEL, air press	1	
19	68366HP8950PL	68366HP8950PL	68366HP8950PL	68366HP8950PL	68366HP8950PL	68366HP8950PL	68366HP8950PL	68366HP8990PL	68366HP8980PL	LABEL, waring	1	
20	68931HP8950PL	68931HP8950PL	68931HP8950PL	68931HP8950PL	68931HP8950PL	68931HP8950PL	68931HP8950PL	68931HP8990PL	68931HP8980PL	LABEL, AGE 16	1	

FIG. 43

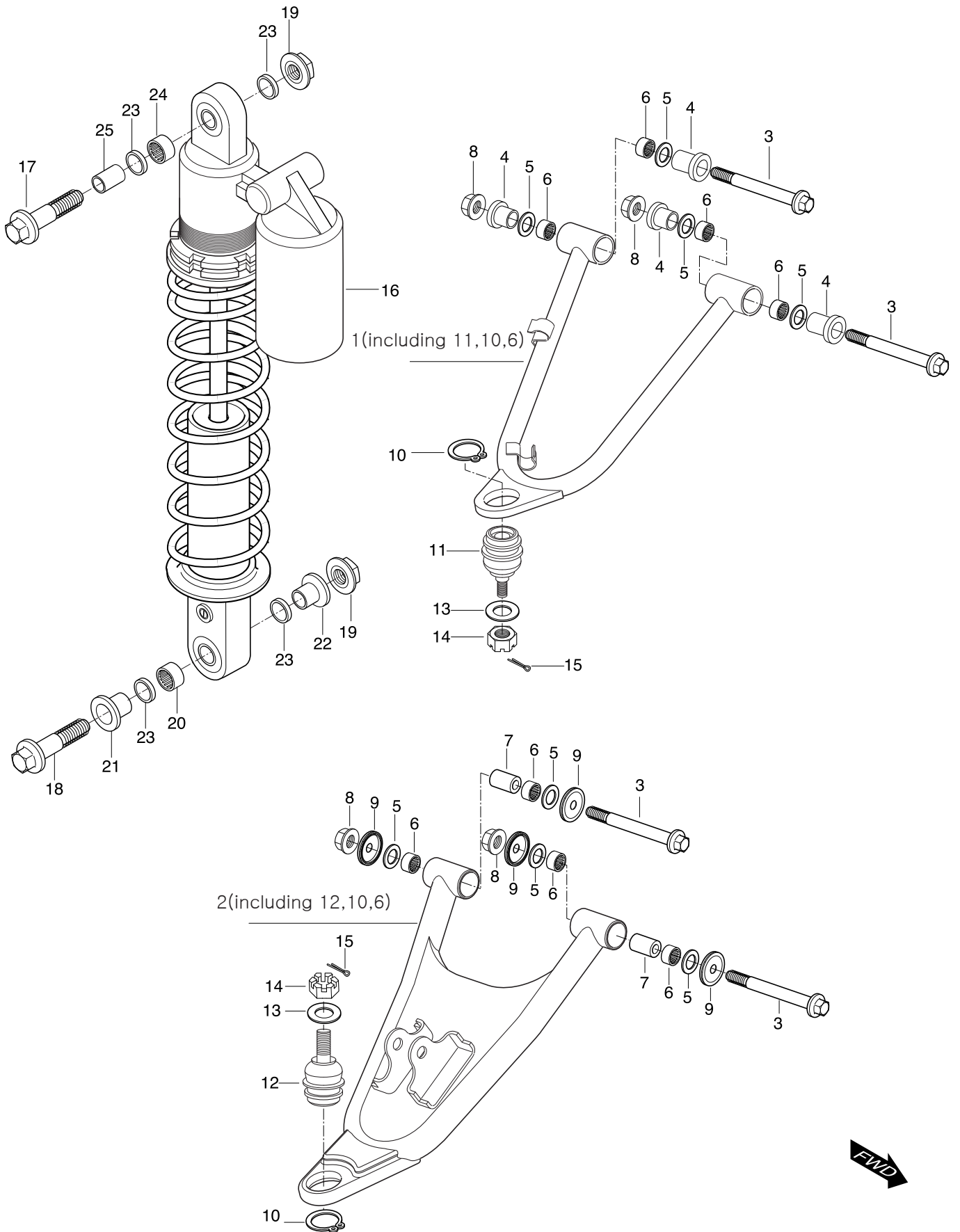


FIG 43. SUSPENSION ARM RH

REF. NO.	PART NUMBER								PARTS NAME	Q'TY	REMARKS	REC.Q'TY (PCS)
	REU01	REU03	REU04	REU07	7EN01	7EN02	RF04	RS04				
1	52410HP8900HPA	52410HP8900HPA	52410HP8900HPA	52410HP8900HPA	52410HP8900HPA	52410HP8900HPA	52410HP8900HPA	52410HP8900HPA	52410HP8900HPA	ARM COMP, suspension upper R	1	10
2	52450HP8900HPA	52450HP8900HPA	52450HP8900HPA	52450HP8900HPA	52450HP8900HPA	52450HP8900HPA	52450HP8900HPA	52450HP8900HPA	52450HP8900HPA	ARM COMP, suspension lower R	1	10
3	09103H10758	09103H10758	09103H10758	09103H10758	09103H10758	09103H10758	09103H10758	09103H10758	09103H10758	BOLT, suspension arm R	4	
4	52455HP8900	52455HP8900	52455HP8900	52455HP8900	52455HP8900	52455HP8900	52455HP8900	52455HP8900	52455HP8900	SPACER, suspensing upper arm	4	
5	09285H17001	09285H17001	09285H17001	09285H17001	09285H17001	09285H17001	09285H17001	09285H17001	09285H17001	SEAL, suspension arm	8	
6	09263H17007	09263H17007	09263H17007	09263H17007	09263H17007	09263H17007	09263H17007	09263H17007	09263H17007	BEARING, suspension arm	8	10
7	52456HP8900	52456HP8900	52456HP8900	52456HP8900	52456HP8900	52456HP8900	52456HP8900	52456HP8900	52456HP8900	SPACER, suspension lower arm	2	
8	08319-31108	08319-31108	08319-31108	08319-31108	08319-31108	08319-31108	08319-31108	08319-31108	08319-31108	NUT, suspension arm R	4	
9	09284H28003	09284H28003	09284H28003	09284H28003	09284H28003	09284H28003	09284H28003	09284H28003	09284H28003	DUST CAP, suspension lower arm R	4	15
10	08331-31329	08331-31329	08331-31329	08331-31329	08331-31329	08331-31329	08331-31329	08331-31329	08331-31329	CIRCLIP, knuckle steering end	2	
11	51210HP8900	51210HP8900	51210HP8900	51210HP8900	51210HP8900	51210HP8900	51210HP8900	51210HP8900	51210HP8900	ENG, knuckle steering upper	1	
12	51220HP8900	51220HP8900	51220HP8900	51220HP8900	51220HP8900	51220HP8900	51220HP8900	51220HP8900	51220HP8900	ENG, knuckle steering lower	1	
13	09160-12011	09160-12011	09160-12011	09160-12011	09160-12011	09160-12011	09160-12011	09160-12011	09160-12011	WASHER, knuckle steering end	2	
14	08314-31128	08314-31128	08314-31128	08314-31128	08314-31128	08314-31128	08314-31128	08314-31128	08314-31128	NUT, knuckle steering end	2	
15	04111-20206	04111-20206	04111-20206	04111-20206	04111-20206	04111-20206	04111-20206	04111-20206	04111-20206	COTTER PIN, knuckle steering end	2	
16	52100HP8900	52100HP8900	52100HP8900	52100HP8900	52100HP8900	52100HP8900	52100HP8900	52100HP8900	52100HP8900	ABSORBER ASSY(REDF), front shock	1	10
17	61181-02C00	61181-02C00	61181-02C00	61181-02C00	61181-02C00	61181-02C00	61181-02C00	61181-02C00	61181-02C00	BOLT, front shock absorber ass'y upper	1	
18	09103H10101	09103H10101	09103H10101	09103H10101	09103H10101	09103H10101	09103H10101	09103H10101	09103H10101	BOLT, front shock absorber ass'y upper	1	
19	08319-31108	08319-31108	08319-31108	08319-31108	08319-31108	08319-31108	08319-31108	08319-31108	08319-31108	NUT, front shock absorber ass'y R	2	
20	09263H16002	09263H16002	09263H16002	09263H16002	09263H16002	09263H16002	09263H16002	09263H16002	09263H16002	BEARING, front shock absorber lower	1	10
21	62684HP8900	62684HP8900	62684HP8900	62684HP8900	62684HP8900	62684HP8900	62684HP8900	62684HP8900	62684HP8900	SPACER, ft shock absorber upper NC	1	
22	62685HP8900	62685HP8900	62685HP8900	62685HP8900	62685HP8900	62685HP8900	62685HP8900	62685HP8900	62685HP8900	SPACER, ft shock absorber upper NC	1	
23	09284H16223	09284H16223	09284H16223	09284H16223	09284H16223	09284H16223	09284H16223	09284H16223	09284H16223	SEAL, ft shock absorber upper R	4	
24	09263H16002	09263H16002	09263H16002	09263H16002	09263H16002	09263H16002	09263H16002	09263H16002	09263H16002	BEARING, ft shock absorber upper F	1	10
25	62686HP8900	62686HP8900	62686HP8900	62686HP8900	62686HP8900	62686HP8900	62686HP8900	62686HP8900	62686HP8900	SPACER, ft shockabsorber lower R	1	

FIG 44

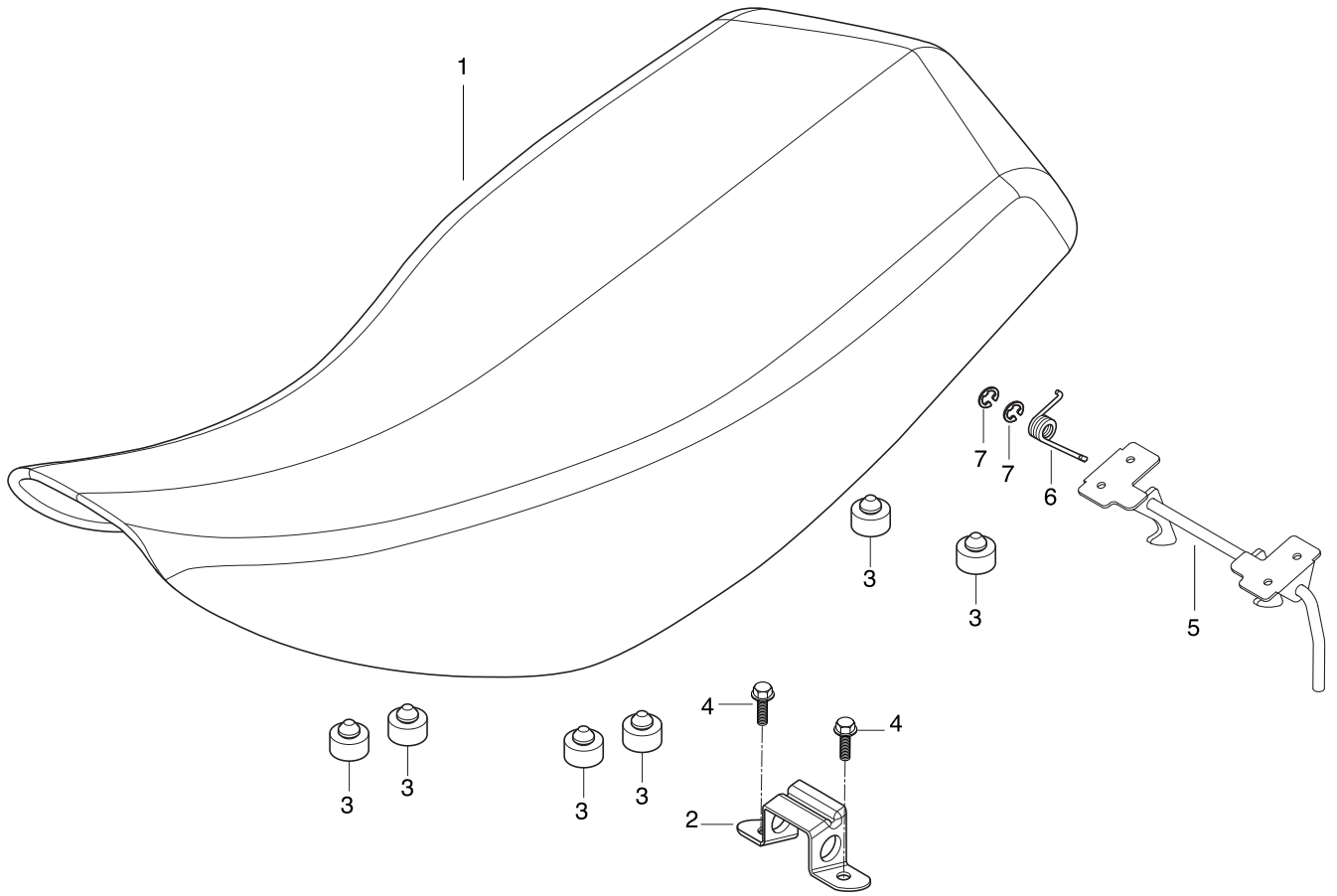
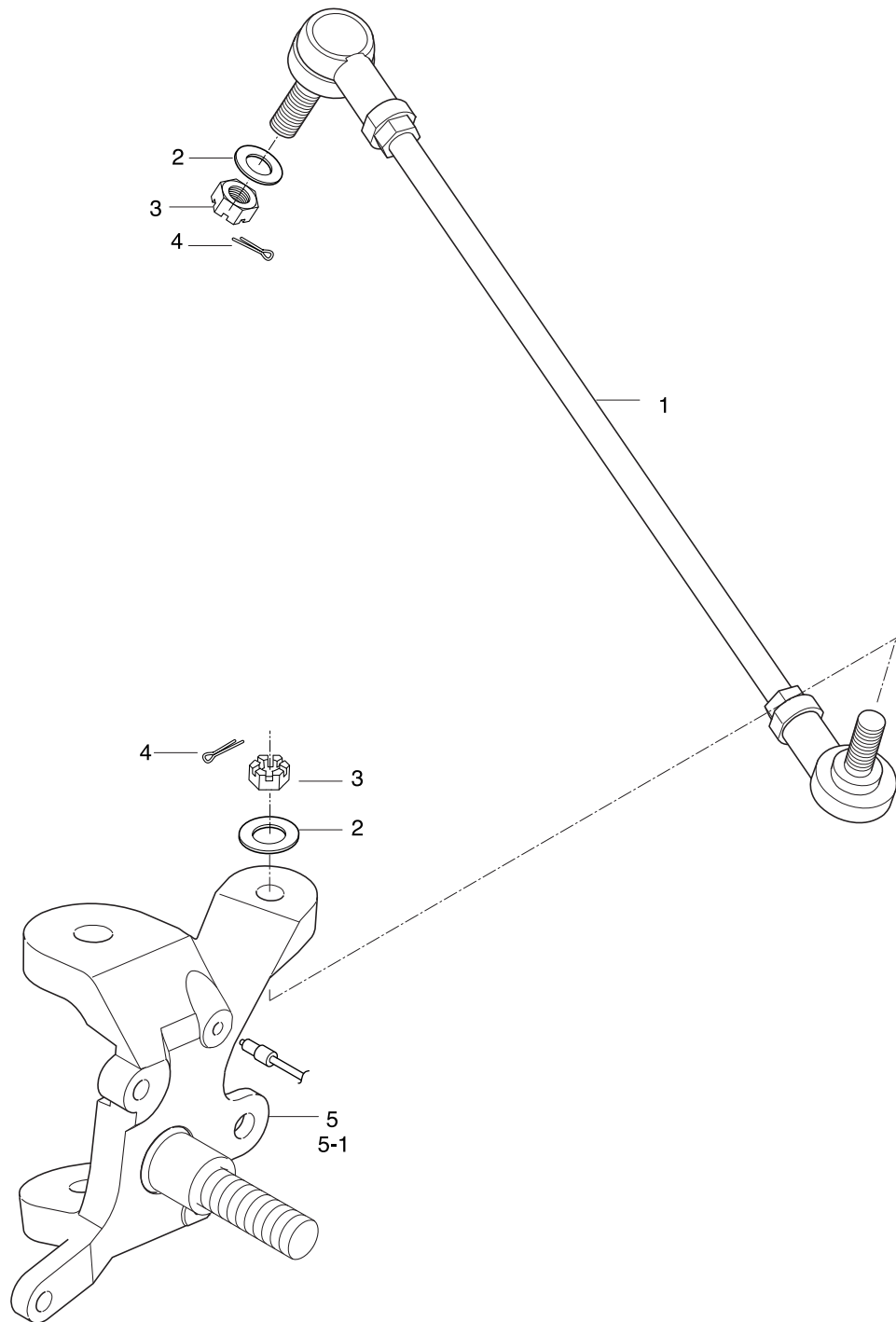


FIG 44. SEAT

REF. NO.	PART NUMBER								PARTS NAME	Q`TY	REMARKS	REC.Q`TY (PCS)
	REU01	REU03	REU04	REU07	7EN01	7EN02	RF04	RS04				
1	45100HP8900L06	45100HP8900L06	45100HP8900L06	45100HP8900L06	45100HP8900L06	45100HP8900L06	45100HP8900L06	45100HP8900L06	SEAT SET(OLR)	1		10
	45100HP8900L07	45100HP8900L07	45100HP8900L07	45100HP8900L07	45100HP8900L07	45100HP8900L07	45100HP8900L07	45100HP8900L07	SEAT SET(SDK)	1		10
2	45119-02C00	45119-02C00	45119-02C00	45119-02C00	45119-02C00	45119-02C00	45119-02C00	45119-02C00	PLATE, seat front hook	1		
3	09321-100B2	09321-100B2	09321-100B2	09321-100B2	09321-100B2	09321-100B2	09321-100B2	09321-100B2	CUSHION, seat set	6		20
4	01107-06256	01107-06256	01107-06256	01107-06256	01107-06256	01107-06256	01107-06256	01107-06256	BOLT, seat front hook plate	2		
5	45120HP8900	45120HP8900	45120HP8900	45120HP8900	45120HP8900	45120HP8900	45120HP8900	45120HP8900	CLAMP COMP, seat	1		
6	45135-243A2	45135-243A2	45135-243A2	45135-243A2	45135-243A2	45135-243A2	45135-243A2	45135-243A2	SPRING, seat set	1		
7	08332-11066	08332-11066	08332-11066	08332-11066	08332-11066	08332-11066	08332-11066	08332-11066	E-RING, seat set	2		

FIG. 45



FWD

FIG 45. KNUCKLE STEERING

REF. NO.	PART NUMBER								PARTS NAME	Q`TY	REMARKS	REC.Q`TY (PCS)
	REU01	REU03	REU04	REU07	7EN01	7EN02	RF04	RS04				
1	51091HP8900	51091HP8900	51091HP8900	51091HP8900	51091HP8900	51091HP8900	51091HP8900	51091HP8900	TIE ROD, steering	2		10
2	08322-11108	08322-11108	08322-11108	08322-11108	08322-11108	08322-11108	08322-11108	08322-11108	WASHER, suspension upper arm R	4		
3	08314-40103	08314-40103	08314-40103	08314-40103	08314-40103	08314-40103	08314-40103	08314-40103	NUT, rod end	4		
4	04111-20206	04111-20206	04111-20206	04111-20206	04111-20206	04111-20206	04111-20206	04111-20206	COTTER PIN, rod end	4		
5	51232HP8900HPA	51232HP8900HPA	51232HP8900HPA	51232HP8900HPA	51232HP8900HPA	51232HP8900HPA	51232HP8900HPA	51232HP8900HPA	KNUCKLE ASS'Y, steering L	1		10
5-1	51231HP8900HPA	51231HP8900HPA	51231HP8900HPA	51231HP8900HPA	51231HP8900HPA	51231HP8900HPA	51231HP8900HPA	51231HP8900HPA	KNUCKLE ASS'Y, steering R	1		10

FIG. 46

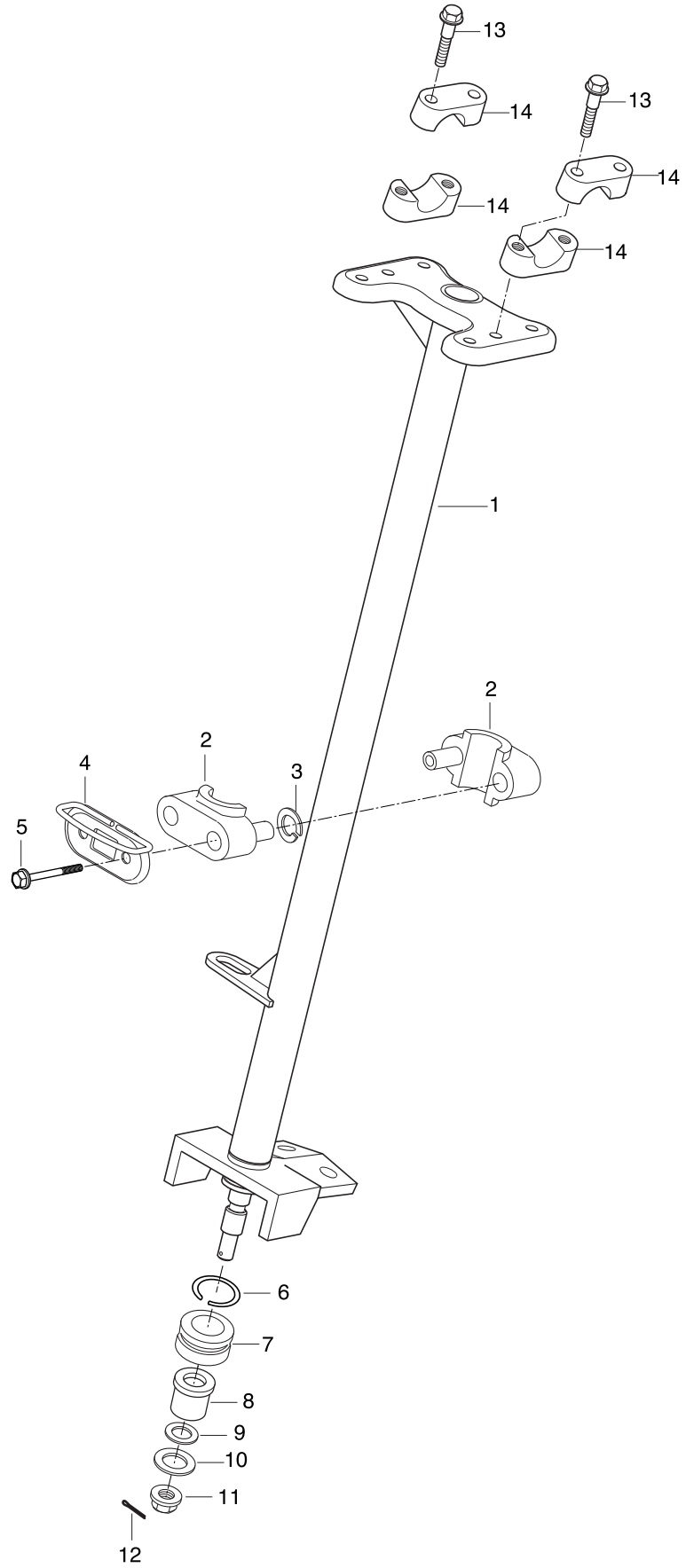


FIG 46. STEERING SHAFT

REF. NO.	PART NUMBER								PARTS NAME	Q'TY	REMARKS	REC.Q'TY (PCS)
	REU01	REU03	REU04	REU07	7EN01	7EN02	RF04	RS04				
1	51650HP8900	51650HP8900	51650HP8900	51650HP8900	51650HP8900	51650HP8900	51650HP8900	51650HP8900	SHAFT COMP, steering	1		10
2	51670-245A0	51670-245A0	51670-245A0	51670-245A0	51670-245A0	51670-245A0	51670-245A0	51670-245A0	HOLDER, steering shaft	2		20
3	51678-24500	51678-24500	51678-24500	51678-24500	51678-24500	51678-24500	51678-24500	51678-24500	DUST SEAL, steering shaft holder	2		30
4	51680HP8900	51680HP8900	51680HP8900	51680HP8900	51680HP8900	51680HP8900	51680HP8900	51680HP8900	REINFORCEMENT, holder	1		10
5	09103-081B6	09103-081B6	09103-081B6	09103-081B6	09103-081B6	09103-081B6	09103-081B6	09103-081B6	BOLT, steering holder	2		10
6	09380H30002	09380H30002	09380H30002	09380H30002	09380H30002	09380H30002	09380H30002	09380H30002	SNAP RING, dust seal	1		10
7	51662-18900	51662-18900	51662-18900	51662-18900	51662-18900	51662-18900	51662-18900	51662-18900	DUST SEAL, steering shaft	1		20
8	51661-40B00KOR	51661-40B00KOR	51661-40B00KOR	51661-40B00KOR	51661-40B00KOR	51661-40B00KOR	51661-40B00KOR	51661-40B00KOR	BUSH, steering shaft lower	1		10
9	09280-14003	09280-14003	09280-14003	09280-14003	09280-14003	09280-14003	09280-14003	09280-14003	O-RING, steering shaft lower	1		30
10	09160-10068	09160-10068	09160-10068	09160-10068	09160-10068	09160-10068	09160-10068	09160-10068	WASHER, steering	1		20
11	08319-31106	08319-31106	08319-31106	08319-31106	08319-31106	08319-31106	08319-31106	08319-31106	NUT, steering shaft	1		20
12	04111-20206	04111-20206	04111-20206	04111-20206	04111-20206	04111-20206	04111-20206	04111-20206	COTTER PIN, steering	1		20
13	01234-08556	01234-08556	01234-08556	01234-08556	01234-08556	01234-08556	01234-08556	01234-08556	BOTL, handlebar clamp	4		20
14	56211-272A0	56211-272A0	56211-272A0	56211-272A0	56211-272A0	56211-272A0	56211-272A0	56211-272A0	CLAMP, handlebar	4		20

FIG. 47

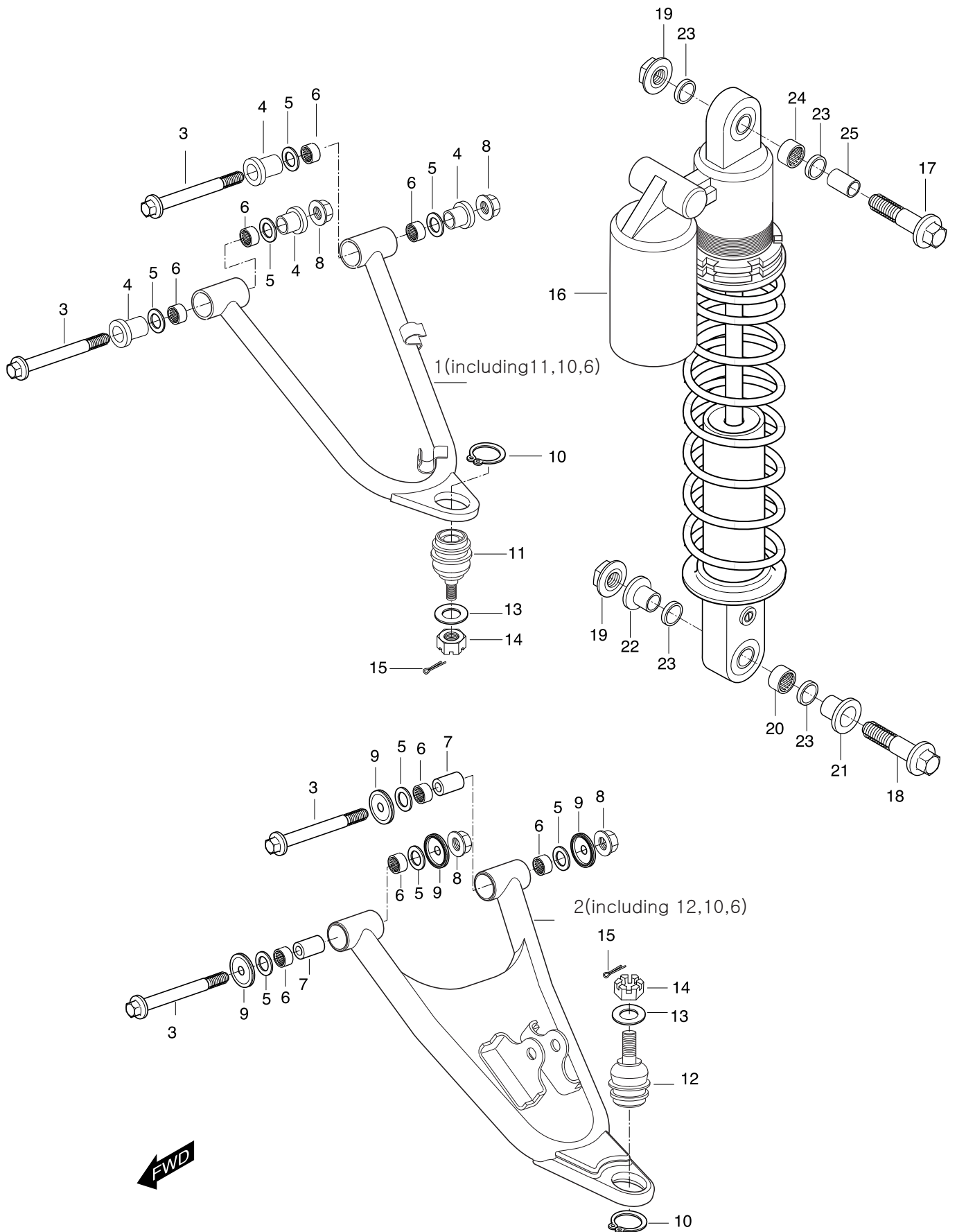


FIG 47. SUSPENSION ARM LH

REF. NO.	PART NUMBER								PARTS NAME	Q`TY	REMARKS	REC.Q`TY (PCS)
	REU01	REU03	REU04	REU07	7EN01	7EN02	RF04	RS04				
1	52420HP8900HPA	52420HP8900HPA	52420HP8900HPA	52420HP8900HPA	52420HP8900HPA	52420HP8900HPA	52420HP8900HPA	52420HP8900HPA	52420HP8900HPA	ARM COMP, suspension upper L	1	10
2	52460HP8900HPA	52460HP8900HPA	52460HP8900HPA	52460HP8900HPA	52460HP8900HPA	52460HP8900HPA	52460HP8900HPA	52460HP8900HPA	52460HP8900HPA	ARM COMP, suspension lower L	1	10
3	09103H10758	09103H10758	09103H10758	09103H10758	09103H10758	09103H10758	09103H10758	09103H10758	09103H10758	BOLT, suspension arm L	4	
4	52455HP8900	52455HP8900	52455HP8900	52455HP8900	52455HP8900	52455HP8900	52455HP8900	52455HP8900	52455HP8900	SPACER, suspension upper arm	4	
5	09285H17001	09285H17001	09285H17001	09285H17001	09285H17001	09285H17001	09285H17001	09285H17001	09285H17001	SEAL,suspension arm	8	
6	09263H17007	09263H17007	09263H17007	09263H17007	09263H17007	09263H17007	09263H17007	09263H17007	09263H17007	BEARING, suspension arm	8	10
7	52456HP8900	52456HP8900	52456HP8900	52456HP8900	52456HP8900	52456HP8900	52456HP8900	52456HP8900	52456HP8900	SPACER, suspension lower arm	2	
8	08319-31108	08319-31108	08319-31108	08319-31108	08319-31108	08319-31108	08319-31108	08319-31108	08319-31108	NUT, suspension arm L	4	
9	09284H28003	09284H28003	09284H28003	09284H28003	09284H28003	09284H28003	09284H28003	09284H28003	09284H28003	DUST CAP, suspension lowerarm L	4	15
10	08331-31329	08331-31329	08331-31329	08331-31329	08331-31329	08331-31329	08331-31329	08331-31329	08331-31329	CIRCLIP, knuckle steering end	2	
11	51210HP8900	51210HP8900	51210HP8900	51210HP8900	51210HP8900	51210HP8900	51210HP8900	51210HP8900	51210HP8900	END, knuckle steering upper	1	
12	51220HP8900	51220HP8900	51220HP8900	51220HP8900	51220HP8900	51220HP8900	51220HP8900	51220HP8900	51220HP8900	END, knuckle steering lower	1	
13	09160-12011	09160-12011	09160-12011	09160-12011	09160-12011	09160-12011	09160-12011	09160-12011	09160-12011	WASHER, knuckle steering end	2	
14	08314-31128	08314-31128	08314-31128	08314-31128	08314-31128	08314-31128	08314-31128	08314-31128	08314-31128	NUT, knuckle steering end	2	
15	04111-20206	04111-20206	04111-20206	04111-20206	04111-20206	04111-20206	04111-20206	04111-20206	04111-20206	COTTER PIN, knouckle steering end	2	
16	52100HP8900	52100HP8900	52100HP8900	52100HP8900	52100HP8900	52100HP8900	52100HP8900	52100HP8900	52100HP8900	ABSORBER ASSY, front shock L	1	10
17	61181-02C10	61181-02C10	61181-02C10	61181-02C10	61181-02C10	61181-02C10	61181-02C10	61181-02C10	61181-02C10	BOLT, front shock absorber ass'y upf	1	
18	09103H10101	09103H10101	09103H10101	09103H10101	09103H10101	09103H10101	09103H10101	09103H10101	09103H10101	BOLT, front shock absorber ass'y low	1	
19	08319-31108	08319-31108	08319-31108	08319-31108	08319-31108	08319-31108	08319-31108	08319-31108	08319-31108	NUT, front shock absorber ass'y L	2	
20	09263H16002	09263H16002	09263H16002	09263H16002	09263H16002	09263H16002	09263H16002	09263H16002	09263H16002	BEARING, ft shock absorber lower L	1	10
21	62684HP8900	62684HP8900	62684HP8900	62684HP8900	62684HP8900	62684HP8900	62684HP8900	62684HP8900	62684HP8900	SPACER, ft shock absorber upper NC	1	
22	62685HP8900	62685HP8900	62685HP8900	62685HP8900	62685HP8900	62685HP8900	62685HP8900	62685HP8900	62685HP8900	SPACER, ft shock absorber upper NC	1	
23	09284H16223	09284H16223	09284H16223	09284H16223	09284H16223	09284H16223	09284H16223	09284H16223	09284H16223	SEAL, ft shckc absorber upper L	4	
24	09263H16002	09263H16002	09263H16002	09263H16002	09263H16002	09263H16002	09263H16002	09263H16002	09263H16002	BEARING, ft shock absorber upper I	1	10
25	62686HP8900	62686HP8900	62686HP8900	62686HP8900	62686HP8900	62686HP8900	62686HP8900	62686HP8900	62686HP8900	SPACER, ft shock absorber lower L	1	

FIG. 48

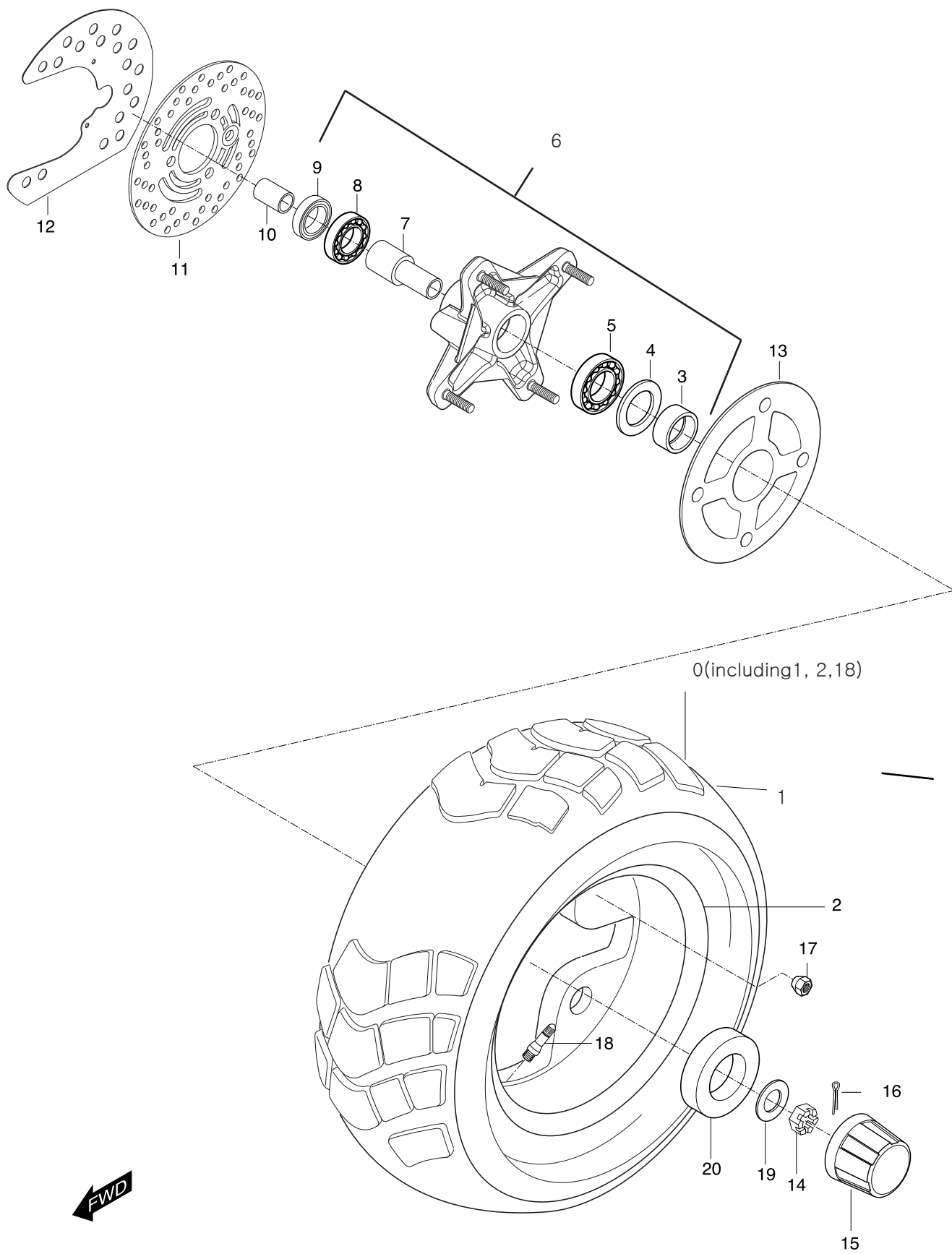


FIG 48. FRONT WHEEL

REF. NO.	PART NUMBER								PARTS NAME	Q'TY	REMARKS	REC.Q'TY (PCS)
	REU01	REU03	REU04	REU07	7EN01	7EN02	RF04	RS04				
0	55310SP8950HPA	55310SP8950HPA	55310SP8900HPA	55310SP8900HPA	55310SP8950HPA	55310SP8900HPA	55310SP8900HPA	55310SP8900HPA	TIRE+WHEEL RH ASS'Y,FT(175/7	1		
0-1	55410SP8950HPA	55410SP8950HPA	55410SP8900HPA	55410SP8900HPA	55410SP8950HPA	55410SP8900HPA	55410SP8900HPA	55410SP8900HPA	TIRE+WHEEL LH ASS'Y,FT(175/7:	1		
1	55100HP8950	55100HP8950	55100HP8900	55100HP8900	55100HP8950	55100HP8900	55100HP8900	55100HP8900	TIRE COMP,FT(175/75-10)	2		20
2	54150HP8900	54150HP8900	54150HP8900	54150HP8900	54150HP8900	54150HP8900	54150HP8900	54150HP8900	WHEEL COMP, front	2		10
3	09180H20102	09180H20102	09180H20102	09180H20102	09180H20102	09180H20102	09180H20102	09180H20102	SPACER, front axle inner	2		
4	09284-26002	09284-26002	09284-26002	09284-26002	09284-26002	09284-26002	09284-26002	09284-26002	SEAL, front hub r/l inner	2		
5	08130-60037	08130-60037	08130-60037	08130-60037	08130-60037	08130-60037	08130-60037	08130-60037	BEARING, front hub R/l inner	2		10
6	54110HP8900HPA	54110HP8900HPA	54110HP8900HPA	54110HP8900HPA	54110HP8900HPA	54110HP8900HPA	54110HP8900HPA	54110HP8900HPA	HUB COMP, front	2		
7	54733HP8900	54733HP8900	54733HP8900	54733HP8900	54733HP8900	54733HP8900	54733HP8900	54733HP8900	RETAINER, front wheel	2		
8	08130-60047	08130-60047	08130-60047	08130-60047	08130-60047	08130-60047	08130-60047	08130-60047	BEARING, front hub R/L outer	2		
9	09284-21001	09284-21001	09284-21001	09284-21001	09284-21001	09284-21001	09284-21001	09284-21001	SEAL, front hub R/L outer	2		20
10	09180H14012	09180H14012	09180H14012	09180H14012	09180H14012	09180H14012	09180H14012	09180H14012	SPACER, front axle outer	2		20
11	59211HP8900	59211HP8900	59211HP8900	59211HP8900	59211HP8900	59211HP8900	59211HP8900	59211HP8900	DISK, front brake	2		15
12	59214HP8900	59214HP8900	59214HP8900	59214HP8900	59214HP8900	59214HP8900	59214HP8900	59214HP8900	COVER, front hub inner	2		10
13	54138HP8900	54138HP8900	54138HP8900	54138HP8900	54138HP8900	54138HP8900	54138HP8900	54138HP8900	PLATE, front hub	2		10
14	08314-40146	08314-40146	08314-40146	08314-40146	08314-40146	08314-40146	08314-40146	08314-40146	NUT, front axle end	2		
15	54725HK3101	54725HK3101	54725HK3101	54725HK3101	54725HK3101	54725HK3101	54725HK3101	54725HK3101	CAP, wheel center	2		
16	04111-30258	04111-30258	04111-30258	04111-30258	04111-30258	04111-30258	04111-30258	04111-30258	PIN, front axle end	2		
17	09159H10098	09159H10098	09159H10098	09159H10098	09159H10098	09159H10098	09159H10098	09159H10098	NUT, wheel	8		
18	55220-29C20	55220-29C20	55220-29C20	55220-29C20	55220-29C20	55220-29C20	55220-29C20	55220-29C20	VALVE, pressure control	2		
19	09164H18002	09164H18002	09164H18002	09164H18002	09164H18002	09164H18002	09164H18002	09164H18002	WASHER, front axle end	2		
20	64725HP8900	64725HP8900	64725HP8900	64725HP8900	64725HP8900	64725HP8900	64725HP8900	64725HP8900	HOLDER, front center cap	2		

FIG.49

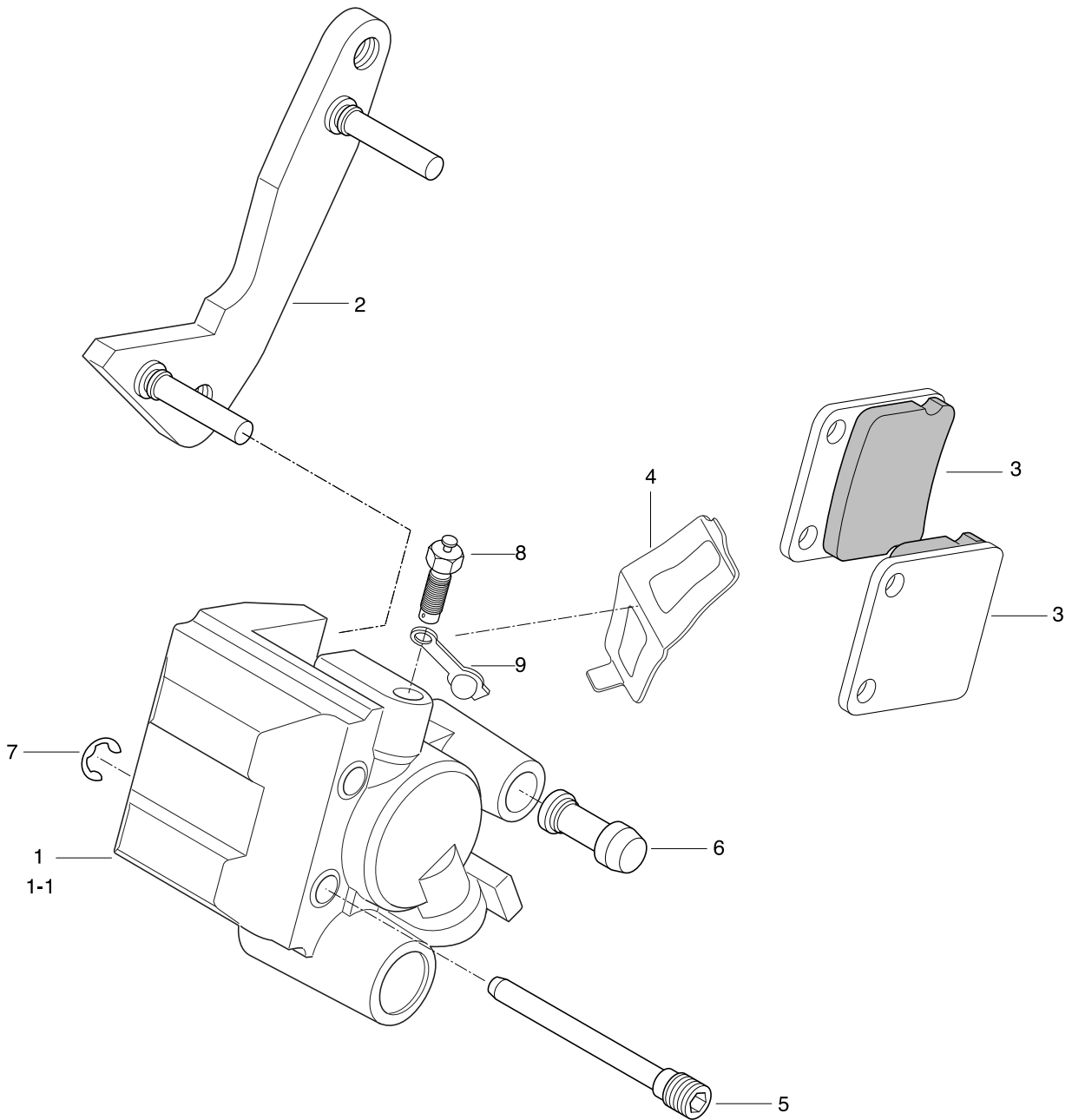


FIG 49. FRONT CALIPER

REF. NO.	PART NUMBER								PARTS NAME	Q`TY	REMARKS	REC.Q`TY (PCS)
	REU01	REU03	REU04	REU07	7EN01	7EN02	RF04	RS04				
1	59400HP8900	59400HP8900	59400HP8900	59400HP8900	59400HP8900	59400HP8900	59400HP8900	59400HP8900	CALIPER ASS'Y R	1		10
1-1	59300HP8900	59300HP8900	59300HP8900	59300HP8900	59300HP8900	59300HP8900	59300HP8900	59300HP8900	CALIPER ASS'Y L	1		10
2									CALIPER CARRIER	2		
3	59301HP8900	59301HP8900	59301HP8900	59301HP8900	59301HP8900	59301HP8900	59301HP8900	59301HP8900	PAD SET, caliper	2		50
4	59315HP8900	59315HP8900	59315HP8900	59315HP8900	59315HP8900	59315HP8900	59315HP8900	59315HP8900	SPRING	2		
5	59302HP8900	59302HP8900	59302HP8900	59302HP8900	59302HP8900	59302HP8900	59302HP8900	59302HP8900	AXLE CALIPER PAD	4		
6	59313HP8900	59313HP8900	59313HP8900	59313HP8900	59313HP8900	59313HP8900	59313HP8900	59313HP8900	INSULATOR CALIPER	2		
7	59303HP8900	59303HP8900	59303HP8900	59303HP8900	59303HP8900	59303HP8900	59303HP8900	59303HP8900	E-RING	4		
8	59121HP8900	59121HP8900	59121HP8900	59121HP8900	59121HP8900	59121HP8900	59121HP8900	59121HP8900	BREATHER	2		
9	59122HP8900	59122HP8900	59122HP8900	59122HP8900	59122HP8900	59122HP8900	59122HP8900	59122HP8900	CAP	2		

FIG.50

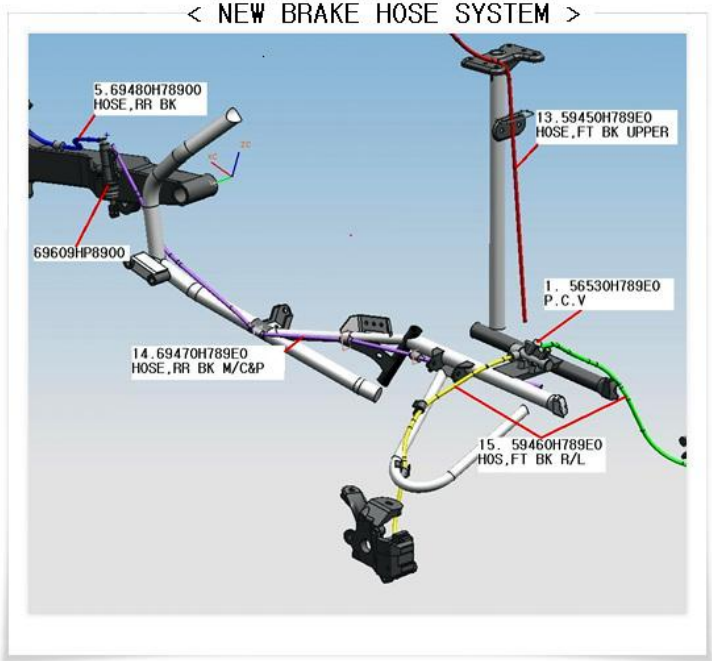
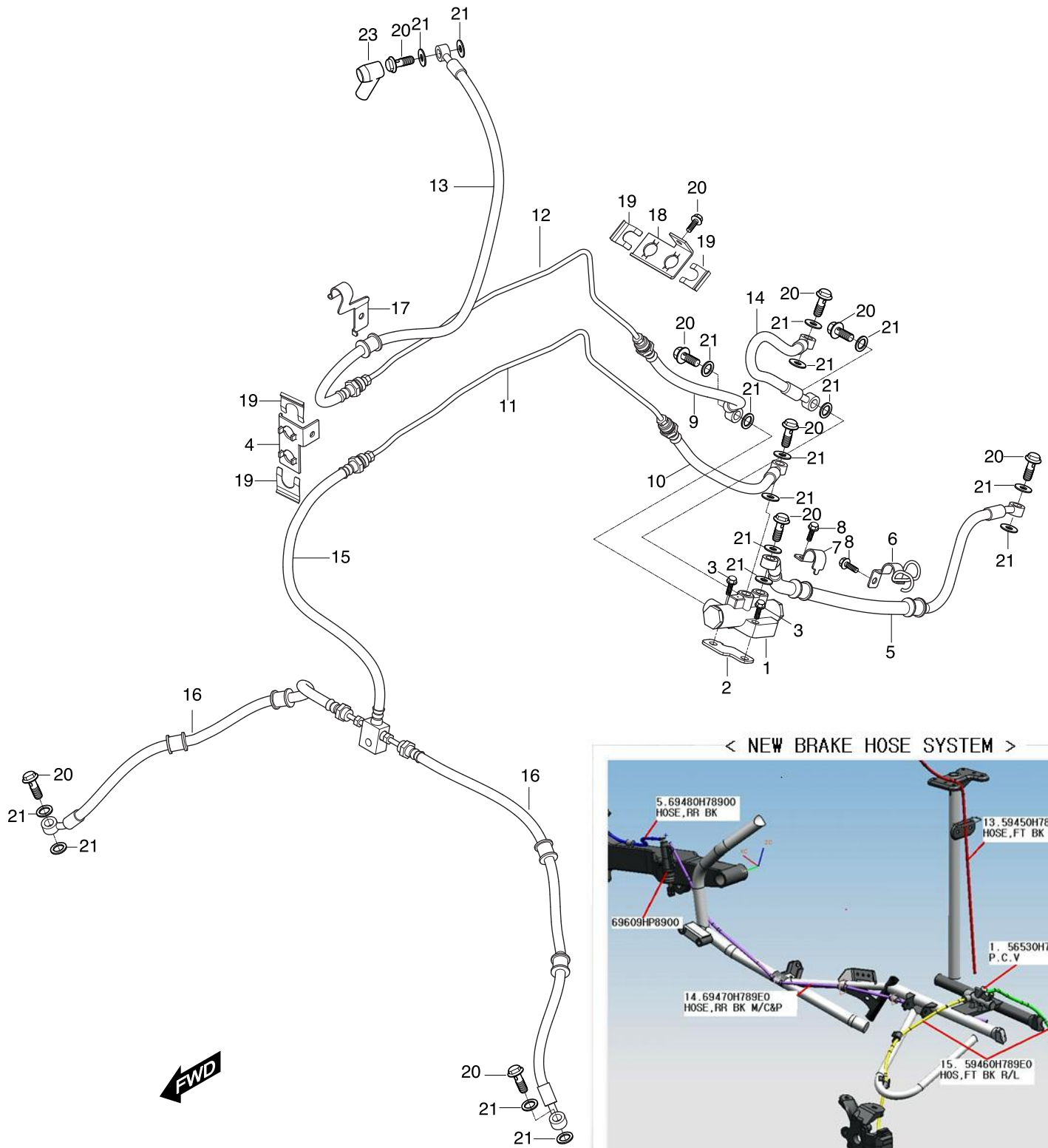


FIG 50. BRAKE HOSE

REF. NO.	PART NUMBER								PARTS NAME	Q'TY	REMARKS	REC.Q'TY (PCS)
	REU01	REU03	REU04	REU07	7EN01	7EN02	RF04	RS04				
1	56530HP8900	56530HP8900	56530HP8900	56530HP8900	56530HP8900	56530HP8900	56530HP8900	56530HP8900	56530HP8900	VALVE ASS'Y, pressure control	1	10
1-N	56530HP89E0	56530HP89E0	56530HP89E0	56530HP89E0	56530HP89E0	56530HP89E0	56530HP89E0	56530HP89E0	56530HP89E0	VALVE ASS'Y, pressure control	1	KM4AL42A981101131 10
2	56540HP8900	56540HP8900	56540HP8900	56540HP8900	56540HP8900	56540HP8900	56540HP8900	56540HP8900	56540HP8900	BRACKET COMP, pvc	1	5
3	07120-08258	07120-08258	07120-08258	07120-08258	07120-08258	07120-08258	07120-08258	07120-08258	07120-08258	BOLT, pressure control valve ass'y	2	10
4	61511HP8900	61511HP8900	61511HP8900	61511HP8900	61511HP8900	61511HP8900	61511HP8900	61511HP8900	61511HP8900	BRACKET, brake hose ft	1	5
5	69480HP8900	69480HP8900	69480HP8900	69480HP8900	69480HP8900	69480HP8900	69480HP8900	69480HP8900	69480HP8900	HOSE COMP, rr brake caliper	1	10
5-N	69480H78900	69480H78900	69480H78900	69480H78900	69480H78900	69480H78900	69480H78900	69480H78900	69480H78900	HOSE COMP, rr brake caliper	1	KM4AL42A981101131 10
6	61520HP8900	61520HP8900	61520HP8900	61520HP8900	61520HP8900	61520HP8900	61520HP8900	61520HP8900	61520HP8900	CLAMP COMP, rear brake hose	1	20
7	61531HP8900	61531HP8900	61531HP8900	61531HP8900	61531HP8900	61531HP8900	61531HP8900	61531HP8900	61531HP8900	CLAMP, rear brake hose front	1	20
8	01517-06125	01517-06125	01517-06125	01517-06125	01517-06125	01517-06125	01517-06125	01517-06125	01517-06125	BOLT, rr brale hose clamp	2	10
9	59480HP8900	59480HP8900	59480HP8900	59480HP8900	59480HP8900	59480HP8900	59480HP8900	59480HP8900	59480HP8900	HOSE COMP, ft m/cylinder pipe & F	1	10
10	59520HP8900	59520HP8900	59520HP8900	59520HP8900	59520HP8900	59520HP8900	59520HP8900	59520HP8900	59520HP8900	HOSE COMP, ft m/cylinder pipe & F	1	10
11	59510HP8900	59510HP8900	59510HP8900	59510HP8900	59510HP8900	59510HP8900	59510HP8900	59510HP8900	59510HP8900	PIPE COMP, ft calliper hose	1	10
12	59470HP8900	59470HP8900	59470HP8900	59470HP8900	59470HP8900	59470HP8900	59470HP8900	59470HP8900	59470HP8900	PIPE COMP, ft m/cylinder hose	1	10
13	59490HP8900	59490HP8900	59490HP8900	59490HP8900	59490HP8900	59490HP8900	59490HP8900	59490HP8900	59490HP8900	HOSE COMP, ft m/cyliner	1	10
13-N	59450H789E0	59450H789E0	59450H789E0	59450H789E0	59450H789E0	59450H789E0	59450H789E0	59450H789E0	59450H789E0	HOSE COMP, ft m/cyliner	1	KM4AL42A981101131 10
14	69470HP8900	69470HP8900	69470HP8900	69470HP8900	69470HP8900	69470HP8900	69470HP8900	69470HP8900	69470HP8900	HOSE COMP, rr brake m/c & P.C.V	1	10
14-N	69470H789E0	69470H789E0	69470H789E0	69470H789E0	69470H789E0	69470H789E0	69470H789E0	69470H789E0	69470H789E0	HOSE COMP, rr brake m/c & P.C.V	1	KM4AL42A981101131 10
15	59460HP8900	59460HP8900	59460HP8900	59460HP8900	59460HP8900	59460HP8900	59460HP8900	59460HP8900	59460HP8900	HOSE COMP, ft brake center	1	10
15-N	59460H789E0	59460H789E0	59460H789E0	59460H789E0	59460H789E0	59460H789E0	59460H789E0	59460H789E0	59460H789E0	HOSE COMP, ft brake center	1	KM4AL42A981101131 10
16	59450HP8900	59450HP8900	59450HP8900	59450HP8900	59450HP8900	59450HP8900	59450HP8900	59450HP8900	59450HP8900	HOSE COMP, ft brake R/L	2	10
17	59266HP8900	59266HP8900	59266HP8900	59266HP8900	59266HP8900	59266HP8900	59266HP8900	59266HP8900	59266HP8900	CLAMP, front brake hose	1	10
18	61510HP8900	61510HP8900	61510HP8900	61510HP8900	61510HP8900	61510HP8900	61510HP8900	61510HP8900	61510HP8900	BRACKET COMP, brake hose	1	5
19	09385H13001	09385H13001	09385H13001	09385H13001	09385H13001	09385H13001	09385H13001	09385H13001	09385H13001	CLIP, front brake hose	4	10
20	09360-10039	09360-10039	09360-10039	09360-10039	09360-10039	09360-10039	09360-10039	09360-10039	09360-10039	BOLT, front brake master	9	10
21	09161-10009	09161-10009	09161-10009	09161-10009	09161-10009	09161-10009	09161-10009	09161-10009	09161-10009	WASHER, brake fluid	18	10

FIG.51

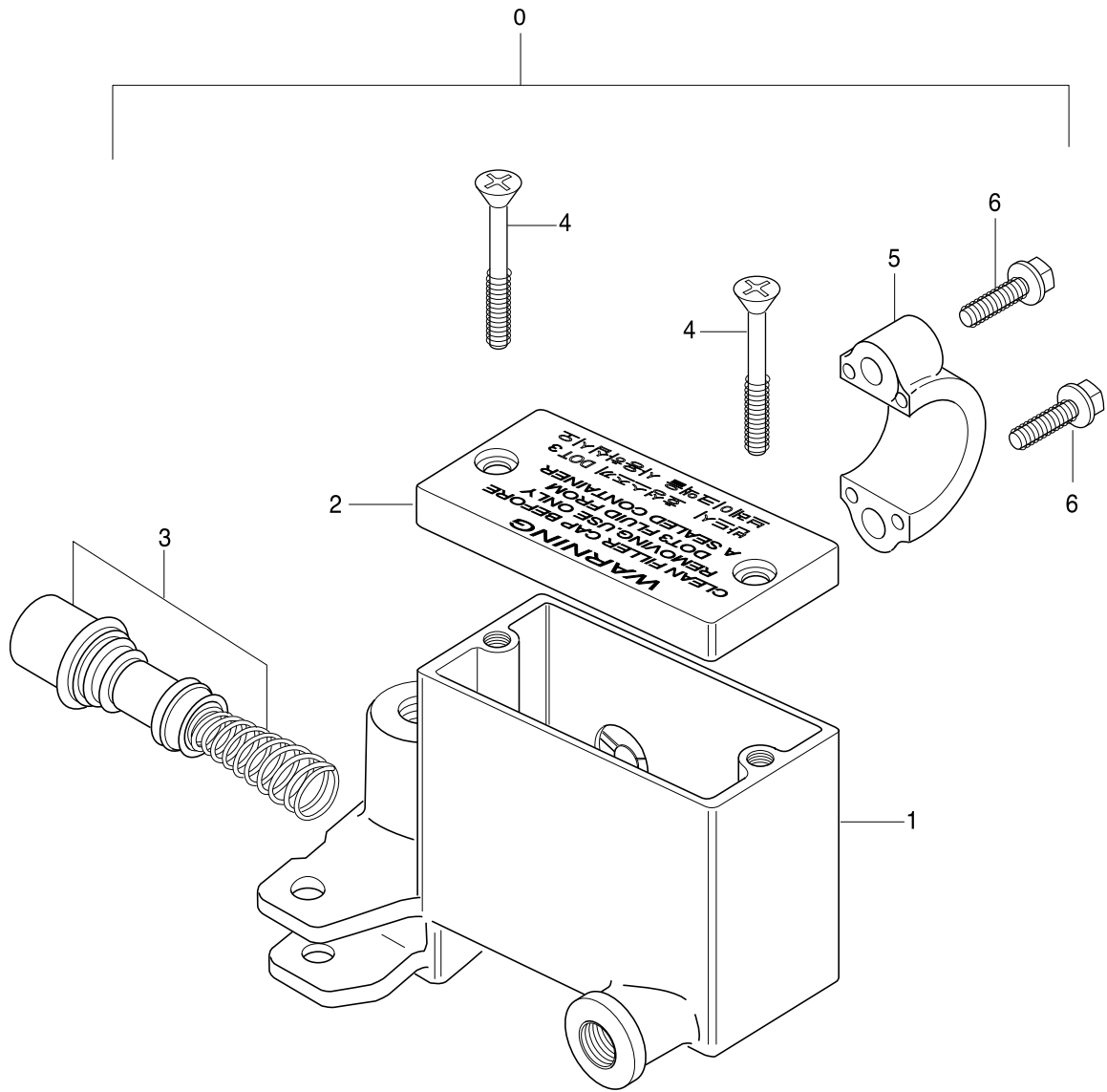


FIG 51. MASTER CYLINDER

REF. NO.	PART NUMBER								PARTS NAME	Q`TY	REMARKS	REC.Q`TY (PCS)
	REU01	REU03	REU04	REU07	7EN01	7EN02	RF04	RS04				
0	59600HP8900	59600HP8900	59600HP8900	59600HP8900	59600HP8900	59600HP8900	59600HP8900	59600HP8900	59600HP8900	CYLINDER ASSY, front master	1	10
1	59687HM8162	59687HM8162	59687HM8162	59687HM8162	59687HM8162	59687HM8162	59687HM8162	59687HM8162	59687HM8162	BODY, master cylinder	1	
2	59669-36510	59669-36510	59669-36510	59669-36510	59669-36510	59669-36510	59669-36510	59669-36510	59669-36510	.CAP, reservoir	1	
3	59600-35C00	59600-35C00	59600-35C00	59600-35C00	59600-35C00	59600-35C00	59600-35C00	59600-35C00	59600-35C00	.PISTON, SET	1	
4	59691-35C00	59691-35C00	59691-35C00	59691-35C00	59691-35C00	59691-35C00	59691-35C00	59691-35C00	59691-35C00	.SCREW	2	
5	59671-35C00	59671-35C00	59671-35C00	59671-35C00	59671-35C00	59671-35C00	59671-35C00	59671-35C00	59671-35C00	.HOLDER	1	
6	01107-35C00	01107-35C00	01107-35C00	01107-35C00	01107-35C00	01107-35C00	01107-35C00	01107-35C00	01107-35C00	.BOLT, holder	2	
7	59511HP9200	59511HP9200	59511HP9200	59511HP9200	59511HP9200	59511HP9200	59511HP9200	59511HP9200	59511HP9200	RESERVOIR CAP PLATE	1	
8	59667HP9200	59667HP9200	59667HP9200	59667HP9200	59667HP9200	59667HP9200	59667HP9200	59667HP9200	59667HP9200	DIAPHRAGM	1	

FIG. 52

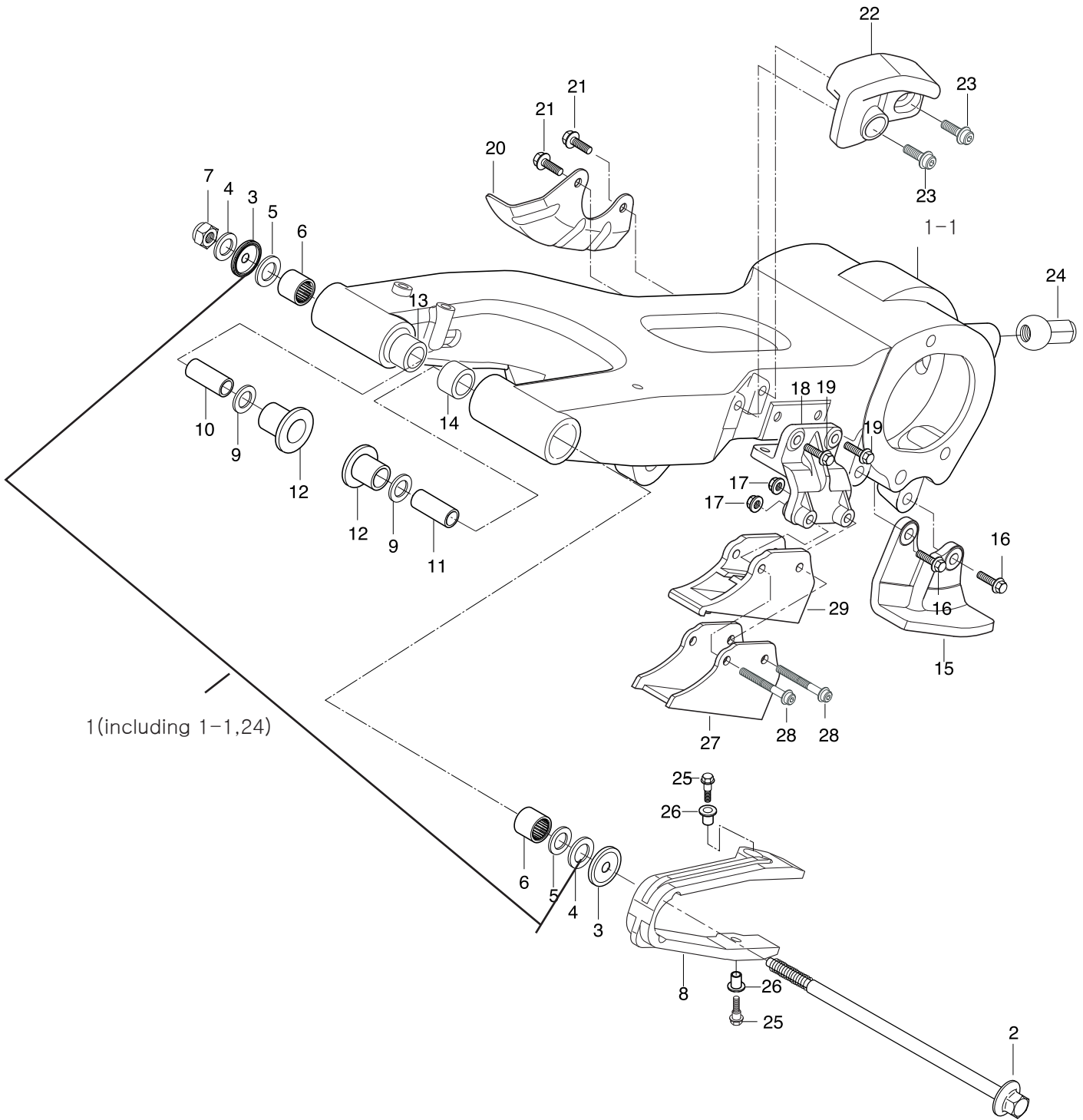


FIG 52. REAR SWINING

REF. NO.	PART NUMBER								PARTS NAME	Q'TY	REMARKS	REC.Q'TY (PCS)
	REU01	REU03	REU04	REU07	7EN01	7EN02	RF04	RS04				
1	61100HP8900HPA	61100HP8900HPA	61100HP8900HPA	61100HP8900HPA	61100HP8900HPA	61100HP8900HPA	61100HP8900HPA	61100HP8900HPA	61100HP8900HPA	SWINGINGARM ASSY,rear	1	5
2	61211HP8900	61211HP8900	61211HP8900	61211HP8900	61211HP8900	61211HP8900	61211HP8900	61211HP8900	61211HP8900	SHAFT, rear swingarm pivot	1	5
3	09284H38003	09284H38003	09284H38003	09284H38003	09284H38003	09284H38003	09284H38003	09284H38003	09284H38003	DUST CAP, rear swingingarm pivot	2	10
4	08211-14321	08211-14321	08211-14321	08211-14321	08211-14321	08211-14321	08211-14321	08211-14321	08211-14321	WASHER, rear swingingarm pivot dt	2	
5	09285-22001	09285-22001	09285-22001	09285-22001	09285-22001	09285-22001	09285-22001	09285-22001	09285-22001	SEAL, rear swingarmarm pivot beari	2	
6	09263-22017	09263-22017	09263-22017	09263-22017	09263-22017	09263-22017	09263-22017	09263-22017	09263-22017	BEARING, rear swingingarm pivot	2	10
7	09159H14008	09159H14008	09159H14008	09159H14008	09159H14008	09159H14008	09159H14008	09159H14008	09159H14008	NUT, rear swingingarm pivot	1	
8	61273HN9100	61273HN9100	61273HN9100	61273HN9100	61273HN9100	61273HN9100	61273HN9100	61273HN9100	61273HN9100	BUFFER, chain touch defense	1	10
9	09285-22001	09285-22001	09285-22001	09285-22001	09285-22001	09285-22001	09285-22001	09285-22001	09285-22001	SEAL, rear swingingarm pivot beari	2	20
10	61251HP8900	61251HP8900	61251HP8900	61251HP8900	61251HP8900	61251HP8900	61251HP8900	61251HP8900	61251HP8900	SPACER, rear swingingarm pivot R	1	10
11	61252HP8900	61252HP8900	61252HP8900	61252HP8900	61252HP8900	61252HP8900	61252HP8900	61252HP8900	61252HP8900	SPACER, rear swingingarm pivot L	1	10
12	61253HP8900	61253HP8900	61253HP8900	61253HP8900	61253HP8900	61253HP8900	61253HP8900	61253HP8900	61253HP8900	SPACER, rear swingingarm pivot	2	
13	61261HP8900	61261HP8900	61261HP8900	61261HP8900	61261HP8900	61261HP8900	61261HP8900	61261HP8900	61261HP8900	BUSH, rear swingingarm pivot R	1	
14	61262HP8900	61262HP8900	61262HP8900	61262HP8900	61262HP8900	61262HP8900	61262HP8900	61262HP8900	61262HP8900	BUSH, rear swingingarm pivot L	1	
15	61390HP8900	61390HP8900	61390HP8900	61390HP8900	61390HP8900	61390HP8900	61390HP8900	61390HP8900	61390HP8900	GUARD, spocket	1	10
16	01517-10306	01517-10306	01517-10306	01517-10306	01517-10306	01517-10306	01517-10306	01517-10306	01517-10306	BOLT, sporocket guard	2	
17	08316-16088	08316-16088	08316-16088	08316-16088	08316-16088	08316-16088	08316-16088	08316-16088	08316-16088	NUT, chain guide	2	
18	61154HP8900	61154HP8900	61154HP8900	61154HP8900	61154HP8900	61154HP8900	61154HP8900	61154HP8900	61154HP8900	BRACKET, chain guide	1	
19	07120-08608	07120-08608	07120-08608	07120-08608	07120-08608	07120-08608	07120-08608	07120-08608	07120-08608	BOLT, chain guide	2	
20	69232HP8900	69232HP8900	69232HP8900	69232HP8900	69232HP8900	69232HP8900	69232HP8900	69232HP8900	69232HP8900	COVER, rear disk	1	10
21	01517-10306	01517-10306	01517-10306	01517-10306	01517-10306	01517-10306	01517-10306	01517-10306	01517-10306	BOLT	2	
22	61274HP8900	61274HP8900	61274HP8900	61274HP8900	61274HP8900	61274HP8900	61274HP8900	61274HP8900	61274HP8900	SLIDER, chain touch defense	1	
23	07120-08208	07120-08208	07120-08208	07120-08208	07120-08208	07120-08208	07120-08208	07120-08208	07120-08208	BOLT	2	
24	61423HP8900	61423HP8900	61423HP8900	61423HP8900	61423HP8900	61423HP8900	61423HP8900	61423HP8900	61423HP8900	NUT, chain adhuster	1	
25	09106H06150	09106H06150	09106H06150	09106H06150	09106H06150	09106H06150	09106H06150	09106H06150	09106H06150	SCREW, chain touch defense buffer	2	
26	09169H06011	09169H06011	09169H06011	09169H06011	09169H06011	09169H06011	09169H06011	09169H06011	09169H06011	WASHER, chain touch defense buffe	2	
27	61342HP8900	61342HP8900	61342HP8900	61342HP8900	61342HP8900	61342HP8900	61342HP8900	61342HP8900	61342HP8900	PLATE, chain guide	1	
28	07120-08608	07120-08608	07120-08608	07120-08608	07120-08608	07120-08608	07120-08608	07120-08608	07120-08608	BOLT, chain guide	2	
29	61341HP8900	61341HP8900	61341HP8900	61341HP8900	61341HP8900	61341HP8900	61341HP8900	61341HP8900	61341HP8900	GUIDE, chain	1	10
30		62800HP8900								TOW COMP, TRAINER	1	10
31		07120-10306								BOLT (M10 X 1.25P)	3	30

FIG. 53

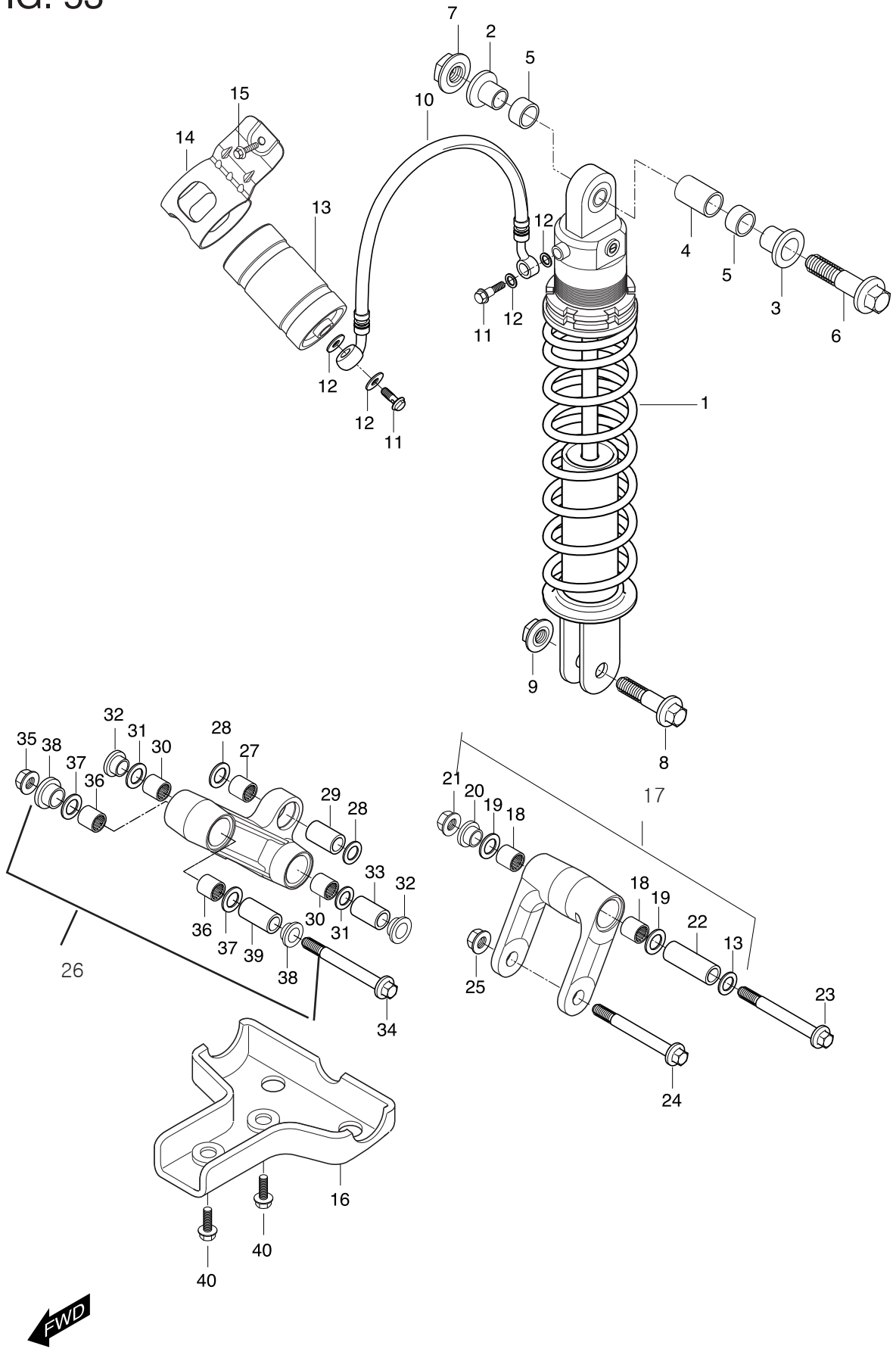


FIG 53. REAR SHOCKABSORBER

REF. NO.	PART NUMBER								PARTS NAME	Q'TY	REMARKS	REC.Q'TY (PCS)
	REU01	REU03	REU04	REU07	7EN01	7EN02	RF04	RS04				
1	62100H78900D02	62100H78900D02	62100H78900D02	62100H78900D02	62100H78900D02	62100H78900D02	62100H78900D02	62100H78900D02	62100H78900D02	ABSORBER ASS'Y(RE D), rear shoc	1	20
2	62684HP8900	62684HP8900	62684HP8900	62684HP8900	62684HP8900	62684HP8900	62684HP8900	62684HP8900	62684HP8900	SPACER, ft shock absorber upper NC	1	10
3	62685HP8900	62685HP8900	62685HP8900	62685HP8900	62685HP8900	62685HP8900	62685HP8900	62685HP8900	62685HP8900	SPACER, ft shock absorber upper NC	1	10
4	09263H16002	09263H16002	09263H16002	09263H16002	09263H16002	09263H16002	09263H16002	09263H16002	09263H16002	BEARING, ft shock absorber upper	1	10
5	09284H16223	09284H16223	09284H16223	09284H16223	09284H16223	09284H16223	09284H16223	09284H16223	09284H16223	SEAL, ft shock absorber upper	2	20
6	09103H10230	09103H10230	09103H10230	09103H10230	09103H10230	09103H10230	09103H10230	09103H10230	09103H10230	BOLT, rear shock absorber upper	1	
7	08319-31108	08319-31108	08319-31108	08319-31108	08319-31108	08319-31108	08319-31108	08319-31108	08319-31108	NUT, rear shock absorber upper	1	
8	09103H10101	09103H10101	09103H10101	09103H10101	09103H10101	09103H10101	09103H10101	09103H10101	09103H10101	BOLT, rear shock absorber lower	1	
9	08319-31108	08319-31108	08319-31108	08319-31108	08319-31108	08319-31108	08319-31108	08319-31108	08319-31108	NUT, rear shock absorber upper	1	
10	62960HP8900	62960HP8900	62960HP8900	62960HP8900	62960HP8900	62960HP8900	62960HP8900	62960HP8900	62960HP8900	HOSE COMP, rear shock absorber	1	NOT SALE
11	09360-10039	09360-10039	09360-10039	09360-10039	09360-10039	09360-10039	09360-10039	09360-10039	09360-10039	BOLT, brake hose	2	NOT SALE
12	09161-10005	09161-10005	09161-10005	09161-10005	09161-10005	09161-10005	09161-10005	09161-10005	09161-10005	WASHER, brake hose	4	NOT SALE
13	61250HP8900	61250HP8900	61250HP8900	61250HP8900	61250HP8900	61250HP8900	61250HP8900	61250HP8900	61250HP8900	RESERVIOR TANK	1	NOT SALE
14	62920HP8900	62920HP8900	62920HP8900	62920HP8900	62920HP8900	62920HP8900	62920HP8900	62920HP8900	62920HP8900	PLATE, rr shock absorber reservior t	1	
15	01517-06166	01517-06166	01517-06166	01517-06166	01517-06166	01517-06166	01517-06166	01517-06166	01517-06166	BOLT, rr shock absorber reservior ta	1	
16	68350HP8900	68350HP8900	68350HP8900	68350HP8900	68350HP8900	68350HP8900	68350HP8900	68350HP8900	68350HP8900	COVER, rear cushion lever	1	10
17	62612HP8900HPA	62612HP8900HPA	62612HP8900HPA	62612HP8900HPA	62612HP8900HPA	62612HP8900HPA	62612HP8900HPA	62612HP8900HPA	62612HP8900HPA	ROD ASS'Y, rear cushion	1	10
18	09263-20061	09263-20061	09263-20061	09263-20061	09263-20061	09263-20061	09263-20061	09263-20061	09263-20061	BEARING, rear cushion lever	2	
19	09284H20001	09284H20001	09284H20001	09284H20001	09284H20001	09284H20001	09284H20001	09284H20001	09284H20001	SEAL, rear cushion lever	2	
20	09180H14013	09180H14013	09180H14013	09180H14013	09180H14013	09180H14013	09180H14013	09180H14013	09180H14013	SPACER, rear cushion	1	
21	08319-31128	08319-31128	08319-31128	08319-31128	08319-31128	08319-31128	08319-31128	08319-31128	08319-31128	NUT, rear cushion lever front	1	
22	09180H14014	09180H14014	09180H14014	09180H14014	09180H14014	09180H14014	09180H14014	09180H14014	09180H14014	SPACER, rear cushion lever front	1	
23	09103H14756	09103H14756	09103H14756	09103H14756	09103H14756	09103H14756	09103H14756	09103H14756	09103H14756	BOLT, rear cushion lever	1	
24	09103H14076	09103H14076	09103H14076	09103H14076	09103H14076	09103H14076	09103H14076	09103H14076	09103H14076	BOLT, rear cushion lever rear	1	
25	08319-31128	08319-31128	08319-31128	08319-31128	08319-31128	08319-31128	08319-31128	08319-31128	08319-31128	NUT, rear cushion lever rear	1	
26	62611HP8900HPA	62611HP8900HPA	62611HP8900HPA	62611HP8900HPA	62611HP8900HPA	62611HP8900HPA	62611HP8900HPA	62611HP8900HPA	62611HP8900HPA	LEVER REAR ASS'Y, rear cushion	1	10
27	09263H20004	09263H20004	09263H20004	09263H20004	09263H20004	09263H20004	09263H20004	09263H20004	09263H20004	BEARING, rear cushion lever	1	
28	09284H20001	09284H20001	09284H20001	09284H20001	09284H20001	09284H20001	09284H20001	09284H20001	09284H20001	SEAL, rear cushion lever	2	
29	09180H10004	09180H10004	09180H10004	09180H10004	09180H10004	09180H10004	09180H10004	09180H10004	09180H10004	SPACER, rear shock absorber lower	1	
30	09263-20061	09263-20061	09263-20061	09263-20061	09263-20061	09263-20061	09263-20061	09263-20061	09263-20061	BEARING, rear cushion lever	2	
31	09284H20001	09284H20001	09284H20001	09284H20001	09284H20001	09284H20001	09284H20001	09284H20001	09284H20001	SEAL, rear cushion lever	2	
32	09180H14013	09180H14013	09180H14013	09180H14013	09180H14013	09180H14013	09180H14013	09180H14013	09180H14013	SPACER, rear cushion	2	
33	09180H14014	09180H14014	09180H14014	09180H14014	09180H14014	09180H14014	09180H14014	09180H14014	09180H14014	SPACER, rear cushion lever front	1	
34	09103H14756	09103H14756	09103H14756	09103H14756	09103H14756	09103H14756	09103H14756	09103H14756	09103H14756	BOLT, rear cushion lever	1	
35	08319-31128	08319-31128	08319-31128	08319-31128	08319-31128	08319-31128	08319-31128	08319-31128	08319-31128	NUT, rear cushion lever front	1	
36	09263-20061	09263-20061	09263-20061	09263-20061	09263-20061	09263-20061	09263-20061	09263-20061	09263-20061	BEARING, rear cushion lever	2	
37	09284H20001	09284H20001	09284H20001	09284H20001	09284H20001	09284H20001	09284H20001	09284H20001	09284H20001	SEAL, rear cushion lever	2	
38	09180H14013	09180H14013	09180H14013	09180H14013	09180H14013	09180H14013	09180H14013	09180H14013	09180H14013	SPACER, rear cushion	2	
39	09180H14011	09180H14011	09180H14011	09180H14011	09180H14011	09180H14011	09180H14011	09180H14011	09180H14011	SPACER, rear cushion lever rear	1	
40	09106H06150	09106H06150	09106H06150	09106H06150	09106H06150	09106H06150	09106H06150	09106H06150	09106H06150	BOLT, rear cushion lever cover	2	

FIG. 54

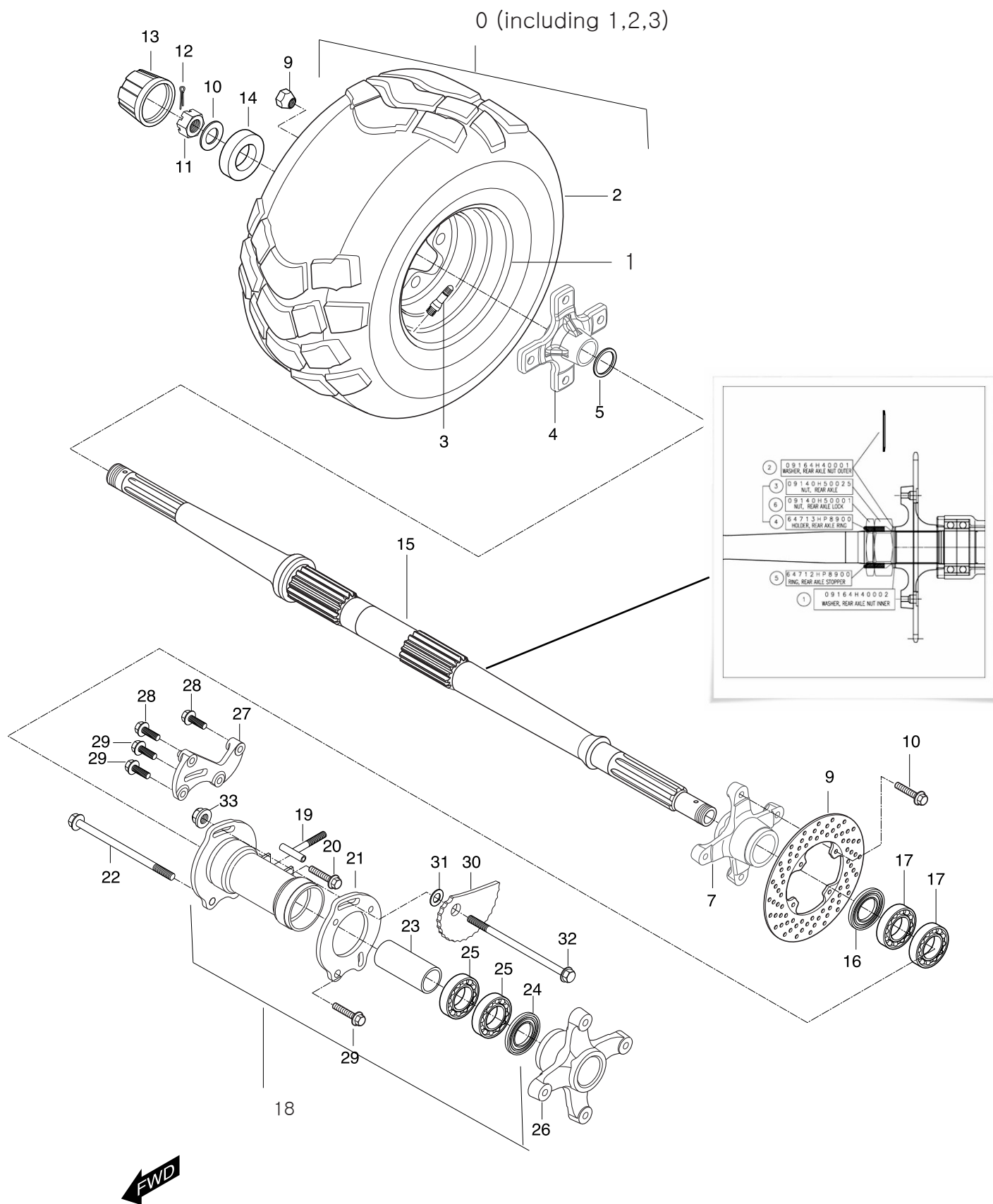


FIG 54. AXLE, REAR

REF. NO.	PART NUMBER								PARTS NAME	Q`TY	REMARKS	REC.Q`TY (PCS)
	REU01	REU03	REU04	REU07	7EN01	7EN02	RF04	RS04				
0	65310SP8950HPA	65310SP8950HPA	65310SP8900HPA	65310SP8900HPA	65310SP8950HPA	65310SP8900HPA	65310SP8900HPA	65310SP8900HPA	TIRE+WHEEL RH ASS'Y, rear	1		
1	64150HP8900	64150HP8900	64150HP8900	64150HP8900	64150HP8900	64150HP8900	64150HP8900	64150HP8900	WHEEL COMP, rear	1		5
2	65100HP8950	65100HP8950	65100HP8900	65100HP8900	65100HP8950	65100HP8900	65100HP8900	65100HP8900	TIRE COMP, rear	1		10
3	55220-29C20	55220-29C20	55220-29C20	55220-29C20	55220-29C20	55220-29C20	55220-29C20	55220-29C20	VALVE, pressure control	1		
4	64110HP8900HPA	64110HP8900HPA	64110HP8900HPA	64110HP8900HPA	64110HP8900HPA	64110HP8900HPA	64110HP8900HPA	64110HP8900HPA	HUB COMP, rear	1		
5	09180H44001	09180H44001	09180H44001	09180H44001	09180H44001	09180H44001	09180H44001	09180H44001	SPACER, rear axle R	1		
6	69221HP8900	69221HP8900	69221HP8900	69221HP8900	69221HP8900	69221HP8900	69221HP8900	69221HP8900	FLANGE, rear disk	1		
7	69211HP8900	69211HP8900	69211HP8900	69211HP8900	69211HP8900	69211HP8900	69211HP8900	69211HP8900	DISK, rear brake	1		10
8	59421-03A01	59421-03A01	59421-03A01	59421-03A01	59421-03A01	59421-03A01	59421-03A01	59421-03A01	BOLT, rr disk flange	4		
9	09159H10098	09159H10098	09159H10098	09159H10098	09159H10098	09159H10098	09159H10098	09159H10098	NUT, rear wheel	4		20
10	09164H18001	09164H18001	09164H18001	09164H18001	09164H18001	09164H18001	09164H18001	09164H18001	WASHER, rear axle	1		10
11	09141-18008	09141-18008	09141-18008	09141-18008	09141-18008	09141-18008	09141-18008	09141-18008	NUT, rear axle end	1		10
12	04111-40328	04111-40328	04111-40328	04111-40328	04111-40328	04111-40328	04111-40328	04111-40328	COTTER PIN REAR HUB	1		20
13	54725HK3101	54725HK3101	54725HK3101	54725HK3101	54725HK3101	54725HK3101	54725HK3101	54725HK3101	CAP, wheel center	1		20
14	64726HP8900	64726HP8900	64726HP8900	64726HP8900	64726HP8900	64726HP8900	64726HP8900	64726HP8900	HOLDER, front center cap	1		
15	64711HP8901	64711HP8901	64711HP8901	64711HP8901	64711HP8901	64711HP8901	64711HP8901	64711HP8901	AXLE, rear	1	KM4AL42A981101131~	5
15-1	09164H40002	09164H40002	09164H40002	09164H40002	09164H40002	09164H40002	09164H40002	09164H40002	WASHER, rear axle nut inner		connected parts with 64711HP8901	
15-2	09164H40001	09164H40001	09164H40001	09164H40001	09164H40001	09164H40001	09164H40001	09164H40001	WASHER, rear axle nut outer		connected parts with 64711HP8901	
15-3	09140H50025	09140H50025	09140H50025	09140H50025	09140H50025	09140H50025	09140H50025	09140H50025	NUT, rear axle		connected parts with 64711HP8901	
15-4	64713HP8900	64713HP8900	64713HP8900	64713HP8900	64713HP8900	64713HP8900	64713HP8900	64713HP8900	HOLDER, rear axle ring		connected parts with 64711HP8901	
15-5	64712HP8900	64712HP8900	64712HP8900	64712HP8900	64712HP8900	64712HP8900	64712HP8900	64712HP8900	RING, rear axle stopper		connected parts with 64711HP8901	
15-6	09140H50001	09140H50001	09140H50001	09140H50001	09140H50001	09140H50001	09140H50001	09140H50001	NUT, rear axle lock		connected parts with 64711HP8901	
16	09283-50006	09283-50006	09283-50006	09283-50006	09283-50006	09283-50006	09283-50006	09283-50006	SEAL, rear axle	1		
17	08130-60087	08130-60087	08130-60087	08130-60087	08130-60087	08130-60087	08130-60087	08130-60087	BEARING, rear axle	2		
18	64720HP8900HPA	64720HP8900HPA	64720HP8900HPA	64720HP8900HPA	64720HP8900HPA	64720HP8900HPA	64720HP8900HPA	64720HP8900HPA	HOUSING ASS'Y, rear axle bearing	1		
19	61420HP8900	61420HP8900	61420HP8900	61420HP8900	61420HP8900	61420HP8900	61420HP8900	61420HP8900	BOLT COMP, chain adjuster	1		
20	43919HP8900	43919HP8900	43919HP8900	43919HP8900	43919HP8900	43919HP8900	43919HP8900	43919HP8900	BOLT, chain adjuster	1		
21	64750HP890003P	64750HP890003P	64750HP890003P	64750HP890003P	64750HP890003P	64750HP890003P	64750HP890003P	64750HP890003P	PLATER, housing L	1		
22	09103H12056	09103H12056	09103H12056	09103H12056	09103H12056	09103H12056	09103H12056	09103H12056	BOTL, housing	1		
23	64731HP8900	64731HP8900	64731HP8900	64731HP8900	64731HP8900	64731HP8900	64731HP8900	64731HP8900	SPACER, rear axle bearing	1		
24	09283-50006	09283-50006	09283-50006	09283-50006	09283-50006	09283-50006	09283-50006	09283-50006	SEAL, rear axle	1		
25	08130-60087	08130-60087	08130-60087	08130-60087	08130-60087	08130-60087	08130-60087	08130-60087	BEARING, rear axle	2		
26	64611HP8900HPA	64611HP8900HPA	64611HP8900HPA	64611HP8900HPA	64611HP8900HPA	64611HP8900HPA	64611HP8900HPA	64611HP8900HPA	FLANGE ASS'Y, sprocket mounting	1		
27	69341HP8900	69341HP8900	69341HP8900	69341HP8900	69341HP8900	69341HP8900	69341HP8900	69341HP8900	CARRIER, caliper	1		
28	07120-08258	07120-08258	07120-08258	07120-08258	07120-08258	07120-08258	07120-08258	07120-08258	CALIPER ASSY REAR BOLT(M8)	2		
29	07120-10306	07120-10306	07120-10306	07120-10306	07120-10306	07120-10306	07120-10306	07120-10306	BOLT(M10 X 1.25P)	4		
30	64755HP8900	64755HP8900	64755HP8900	64755HP8900	64755HP8900	64755HP8900	64755HP8900	64755HP8900	STAY, housing	1		
31	08322-21108	08322-21108	08322-21108	08322-21108	08322-21108	08322-21108	08322-21108	08322-21108	WASHER, stay housing	2		
32	09103H10122	09103H10122	09103H10122	09103H10122	09103H10122	09103H10122	09103H10122	09103H10122	BOLT, rr axle housing & plate No.2	1		
33	08316-26108	08316-26108	08316-26108	08316-26108	08316-26108	08316-26108	08316-26108	08316-26108	NUT, rr axle housing & plate No.2	1		

FIG. 55

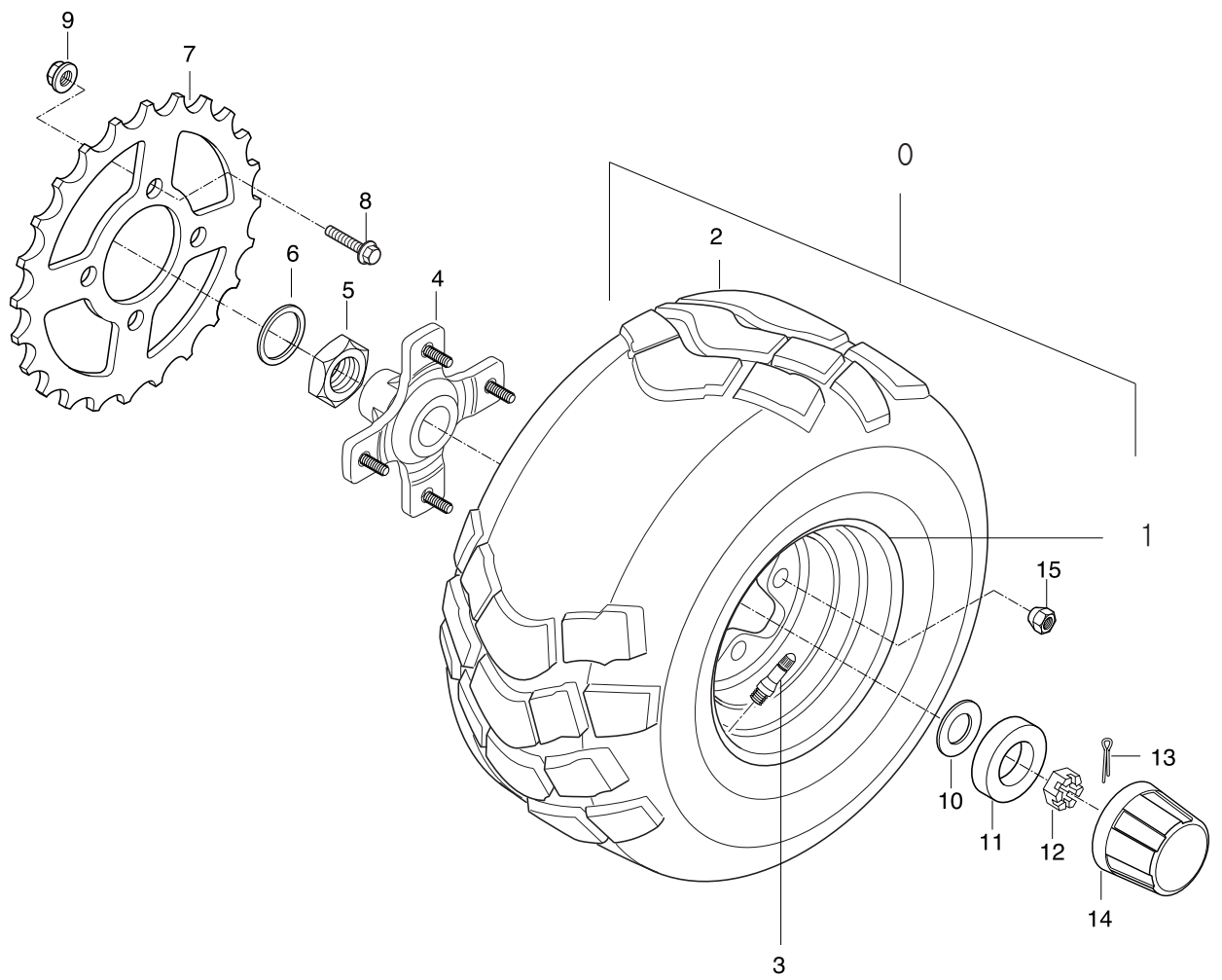


FIG 55. REAR WHEEL LH

REF. NO.	PART NUMBER									PARTS NAME	Q`TY	REMARKS	REC.Q`TY (PCS)
	REU01	REU03	REU04	REU07	7EN01	7EN02	RF04	RS04					
0	65410SP8950HPA	65410SP8950HPA	65410SP8900HPA	65410SP8900HPA	65410SP8950HPA	65410SP8900HPA	65410SP8900HPA	65410SP8900HPA	65410SP8900HPA	TIRE+WHEEL LH ASS'Y, rear	1		
1	64150HP8900	64150HP8900	64150HP8900	64150HP8900	64150HP8900	64150HP8900	64150HP8900	64150HP8900	64150HP8900	WHEEL COMP, rear	1		5
2	65100HP8950	65100HP8950	65100HP8900	65100HP8900	65100HP8950	65100HP8900	65100HP8900	65100HP8900	65100HP8900	TIRE COMP, rear	1		10
3	55220-29C20	55220-29C20	55220-29C20	55220-29C20	55220-29C20	55220-29C20	55220-29C20	55220-29C20	55220-29C20	VALVE, pressure control	1		
4	09180H44001	09180H44001	09180H44001	09180H44001	09180H44001	09180H44001	09180H44001	09180H44001	09180H44001	SPACER, rear axle L	1		
5	09140H36103	09140H36103	09140H36103	09140H36103	09140H36103	09140H36103	09140H36103	09140H36103	09140H36103	NUT, axle No.1	1		
6	09140H36163	09140H36163	09140H36163	09140H36163	09140H36163	09140H36163	09140H36163	09140H36163	09140H36163	NUT, axle No.2	1		
7	64511HP8900	64511HP8900	64511HP8900	64511HP8900	64511HP8900	64511HP8900	64511HP8900	64511HP8900	64511HP8900	SPROCKET, rear(44T)	1		5
8	09106H08308	09106H08308	09106H08308	09106H08308	09106H08308	09106H08308	09106H08308	09106H08308	09106H08308	BOLT, sprocket mtg flange	4		
9	08319-31088	08319-31088	08319-31088	08319-31088	08319-31088	08319-31088	08319-31088	08319-31088	08319-31088	NUT, sprocket mtg flange	4		
10	09160-18009	09160-18009	09160-18009	09160-18009	09160-18009	09160-18009	09160-18009	09160-18009	09160-18009	WASHER, rear axle	1		10
11	64726HP8900	64726HP8900	64726HP8900	64726HP8900	64726HP8900	64726HP8900	64726HP8900	64726HP8900	64726HP8900	HOLDER, front center cap	1		10
12	09141-18008	09141-18008	09141-18008	09141-18008	09141-18008	09141-18008	09141-18008	09141-18008	09141-18008	NUT, rear axle end	1		10
13	04111-40328	04111-40328	04111-40328	04111-40328	04111-40328	04111-40328	04111-40328	04111-40328	04111-40328	COTTER PIN REAR HUB	1		20
14	54725HK3101	54725HK3101	54725HK3101	54725HK3101	54725HK3101	54725HK3101	54725HK3101	54725HK3101	54725HK3101	CAP, wheel center	1		20
15	09159H10098	09159H10098	09159H10098	09159H10098	09159H10098	09159H10098	09159H10098	09159H10098	09159H10098	NUT, rear wheel	4		20

FIG.56

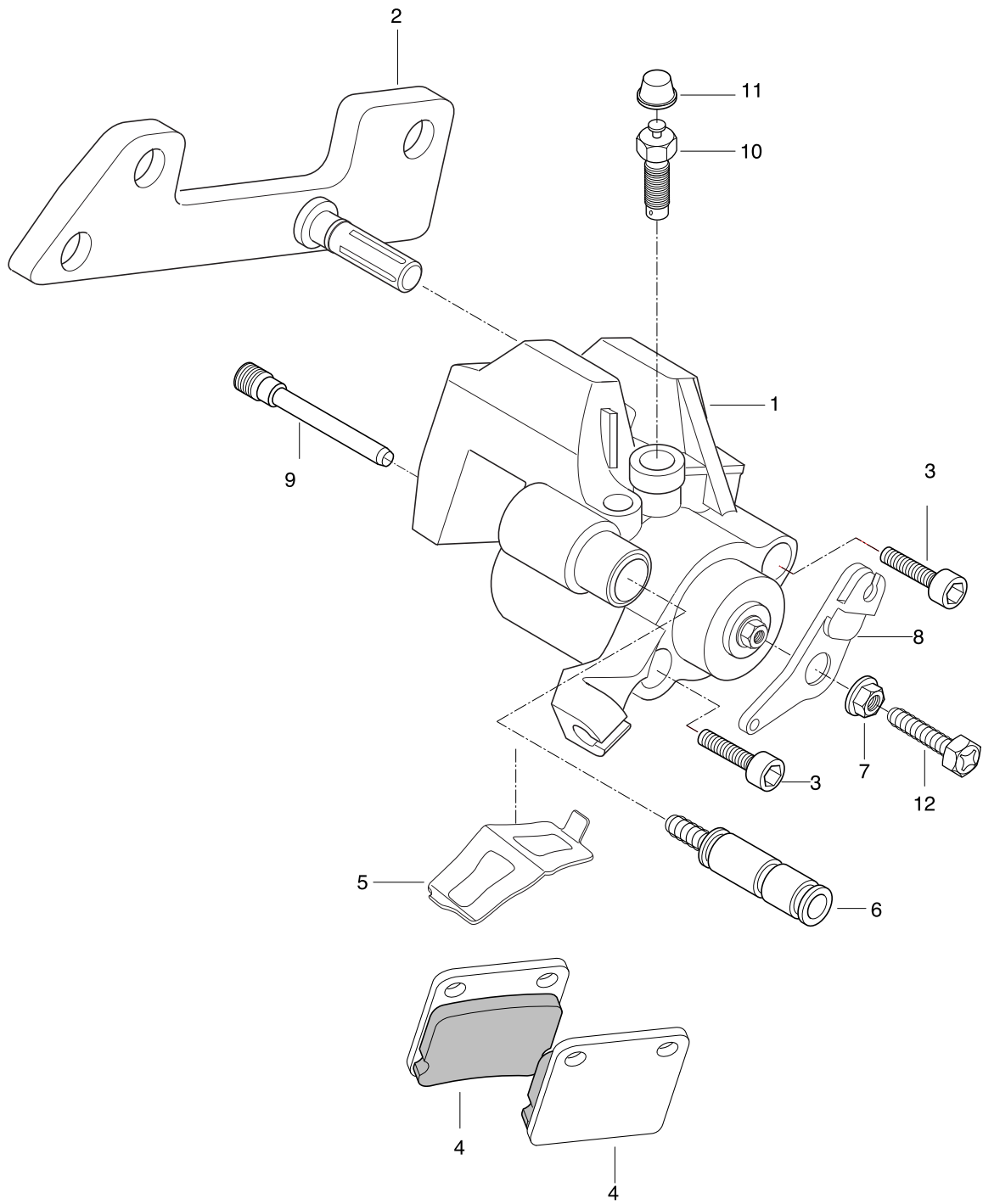


FIG 56. REAR CALIPER

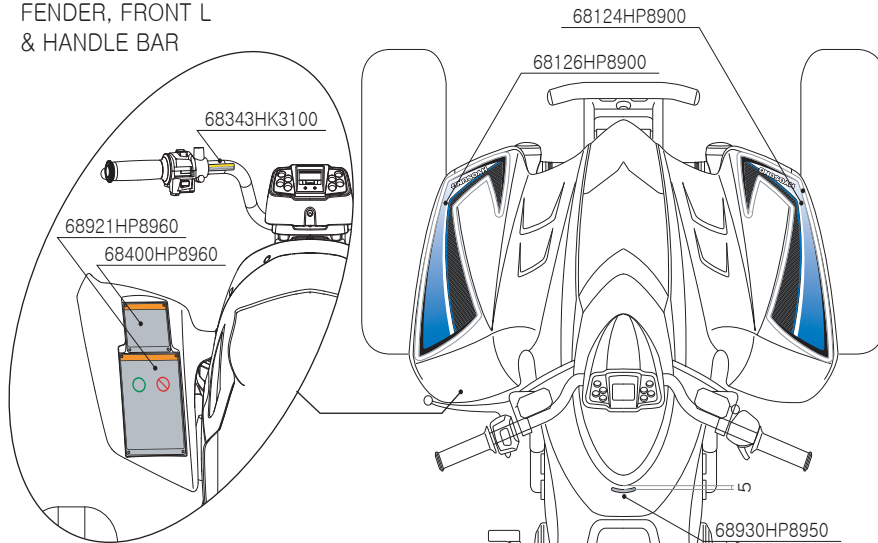
REF. NO.	PART NUMBER								PARTS NAME	Q'TY	REMARKS	REC.Q'TY (PCS)
	REU01	REU03	REU04	REU07	7EN01	7EN02	RF04	RS04				
1	69300HP8900	69300HP8900	69300HP8900	69300HP8900	69300HP8900	69300HP8900	69300HP8900	69300HP8900	CALIPER ASS'Y, rear	1		10
2									BRACKET CALIPER	1		
3	69330HP8900	69330HP8900	69330HP8900	69330HP8900	69330HP8900	69330HP8900	69330HP8900	69330HP8900	BOLTS, connet back cover	2		
4	69301HP8900	69301HP8900	69301HP8900	69301HP8900	69301HP8900	69301HP8900	69301HP8900	69301HP8900	PAD SET, caliper	1		50
5	69350HP8900	69350HP8900	69350HP8900	69350HP8900	69350HP8900	69350HP8900	69350HP8900	69350HP8900	SPRING PAD	1		
6	69340HP8900	69340HP8900	69340HP8900	69340HP8900	69340HP8900	69340HP8900	69340HP8900	69340HP8900	PIN BOLT	1		
7	69320HP8900	69320HP8900	69320HP8900	69320HP8900	69320HP8900	69320HP8900	69320HP8900	69320HP8900	NUT COMP	1		
8	69360HP8900	69360HP8900	69360HP8900	69360HP8900	69360HP8900	69360HP8900	69360HP8900	69360HP8900	CONNECT PART, tightwire	1		
9	69370HP8900	69370HP8900	69370HP8900	69370HP8900	69370HP8900	69370HP8900	69370HP8900	69370HP8900	PIN, hanger	2		
10	69381HP8900	69381HP8900	69381HP8900	69381HP8900	69381HP8900	69381HP8900	69381HP8900	69381HP8900	BOLT, shaft	1		
11	59122HP8900	59122HP8900	59122HP8900	59122HP8900	59122HP8900	59122HP8900	59122HP8900	59122HP8900	CAP	1		
12	69781HP8900	69781HP8900	69781HP8900	69781HP8900	69781HP8900	69781HP8900	69781HP8900	69781HP8900	BOLT, shaft	1		

SHIM, TAPPET

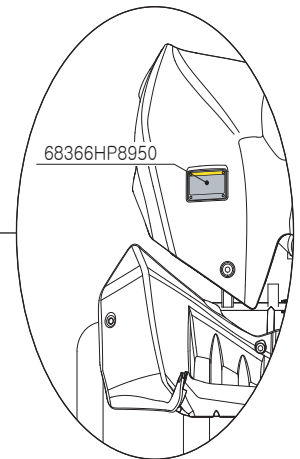
12881HP8900-0	TAPPET
12892HP8900-0-23C	SHIM, TAPPET
12892HP8900-0-23E	SHIM, TAPPET
12892HP8900-0-23I	SHIM, TAPPET
12892HP8900-0-23L	SHIM, TAPPET
12892HP8900-0-24C	SHIM, TAPPET
12892HP8900-0-24E	SHIM, TAPPET
12892HP8900-0-24I	SHIM, TAPPET
12892HP8900-0-24L	SHIM, TAPPET
12892HP8900-0-25C	SHIM, TAPPET
12892HP8900-0-25E	SHIM, TAPPET
12892HP8900-0-25I	SHIM, TAPPET
12892HP8900-0-26C	SHIM, TAPPET
12892HP8900-0-26E	SHIM, TAPPET
12892HP8900-0-26I	SHIM, TAPPET
12892HP8900-0-27C	SHIM, TAPPET
12892HP8900-0-27E	SHIM, TAPPET
12892HP8900-0-27I	SHIM, TAPPET
12892HP8900-0-27L	SHIM, TAPPET
12892HP8900-0-28C	SHIM, TAPPET
12892HP8900-0-28E	SHIM, TAPPET
12892HP8900-0-28I	SHIM, TAPPET
12892HP8900-0-29C	SHIM, TAPPET
12892HP8900-0-29E	SHIM, TAPPET
12892HP8900-0-29I	SHIM, TAPPET
12892HP8900-0-30C	SHIM, TAPPET
12892HP8900-0-30E	SHIM, TAPPET
12892HP8900-0-31C	SHIM, TAPPET
12892HP8900-0-31E	SHIM, TAPPET
12892HP8900-0-31I	SHIM, TAPPET
12892HP8900-0-32C	SHIM, TAPPET
12892HP8900-0-32E	SHIM, TAPPET
12892HP8900-0-32I	SHIM, TAPPET
12892HP8900-0-33C	SHIM, TAPPET
12892HP8900-0-33E	SHIM, TAPPET
12892HP8900-0-33I	SHIM, TAPPET
12892HP8900-0-34C	SHIM, TAPPET
12892HP8900-0-34E	SHIM, TAPPET
12892HP8900-0-34I	SHIM, TAPPET
12892HP8900-0-35C	SHIM, TAPPET

PART NUMBER FOR TE450(EUROPE) LEVEL

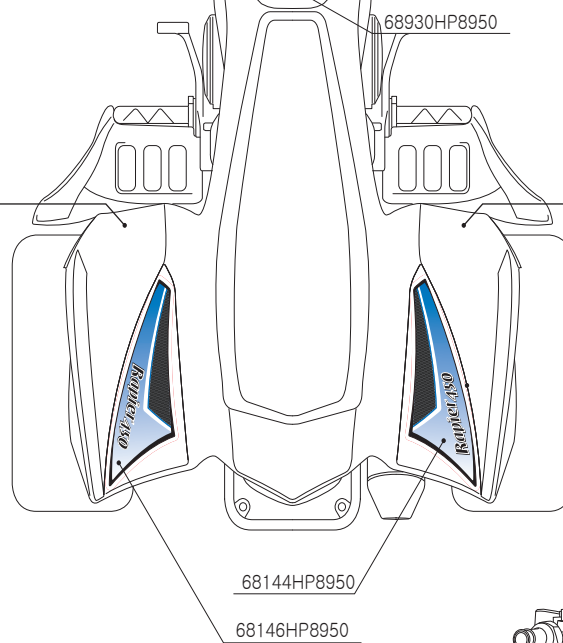
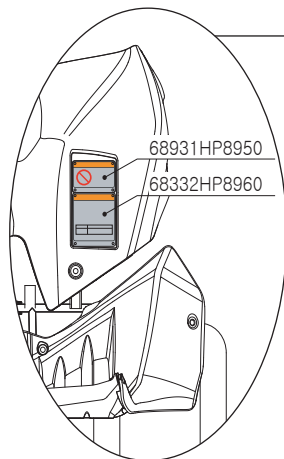
FENDER, FRONT L
& HANDLE BAR



FENDER, REAR R



FENDER, REAR L



COVER, ENGINE SPROCKET

