



# HYOSUNG

Made in Korea



## GT 650 R

Euro 3

2008-2009

## Reservedele



*SCANDINAVIAN MACHINERY IMPORT ApS*

Holtvej 8-10, Høruphav

6470 Sydals

Telefon: +45 73 15 11 00

Fax: +45 73 15 11 01

E-mail: [info@scanmi.dk](mailto:info@scanmi.dk)

[www.scanmi.dk](http://www.scanmi.dk)

CVR: 27 73 31 07

# HYOSUNG 2009

Part catalogue for GT650R



S & T MOTORS

# HYOSUNG 2009

## Part catalogue for GT650R

### REFERENCE

1. The detailed specifications of each model are referred by the persons who are in charge of overseas marketing team, Hyosung.

#### 2. Special demand

When you order any colored parts including Fuel tank, please add color code to the end of parts number and it will be helpful to register your parts order.

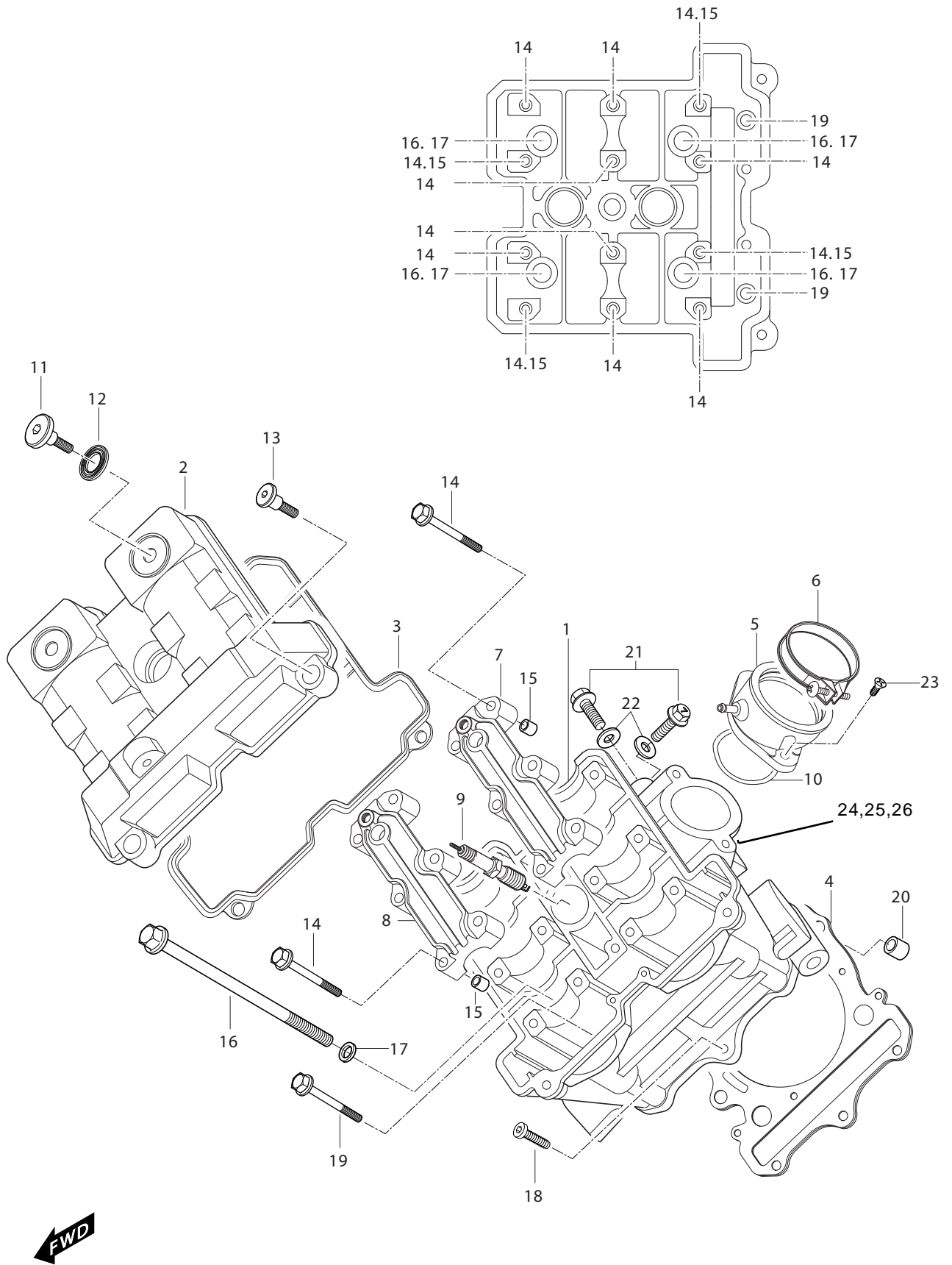
#### ※COLOR 2008

- . SBK : BLACK
- . 0DR : RED
- . 3NR : RED + BLACK
- . 3UO : ORANGE + BLACK

#### ※COLOR 2009

- .SBK : BLACK
- .0DR : RED
- .6NR : RED/BLACK
- .6NS : SILVER/BLACK
- .6NW : WHITE/BLACK

FIG 1-1

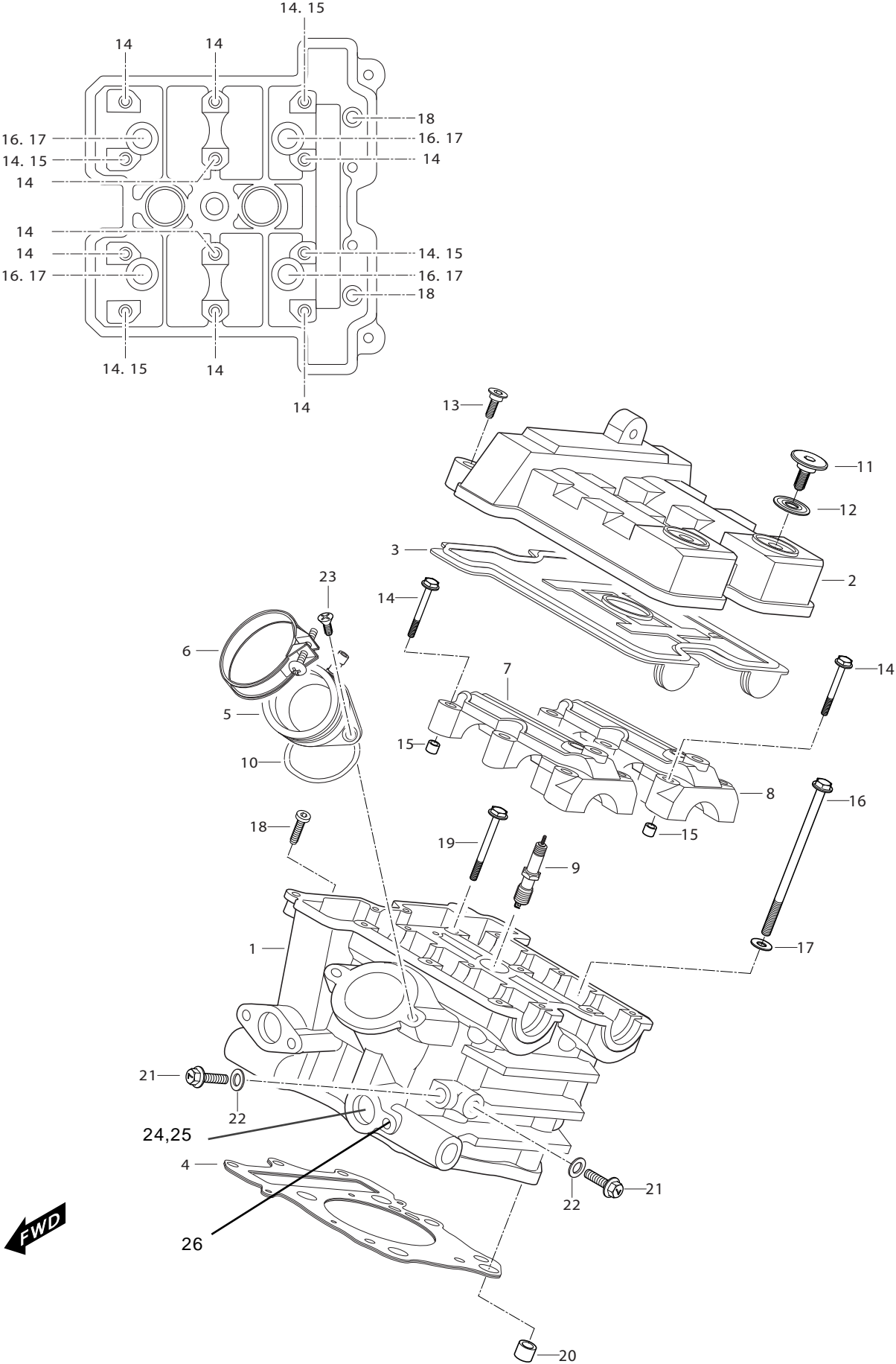




# FIG 1-1. CYLINDER HEAD/ (FRONT)

| REF.<br>NO. | GT650R - FI (2008)   |                |                | GT650RN - EI (2009)  |                |                | PART NAME      | Q'TY                           | REMARKS | REC.Q'TY<br>(PCS) |       |
|-------------|----------------------|----------------|----------------|----------------------|----------------|----------------|----------------|--------------------------------|---------|-------------------|-------|
|             | 7EU01/7G01/7S01/7F01 | 7US02          | 8US01          | 9EU01/9G01/9S01/9F01 | BRAZIL         | 9AT02          |                |                                |         |                   | 9US02 |
| 1           | 11110SN9102HPA       | 11110SN9102HPA | 11110SN9102HPA | 11110SN9102HPA       | 11110SN9102HPA | 11110SN9110HPA | 11110SN9110HPA | HEAD ASS'Y, cylinder front     | 1       |                   | 5     |
| 2           | 11171HN91000S1       | 11171HN91000S1 | 11171HN91000S1 | 11171HN91000S1       | 11171HN91000S1 | 11171HN91000S1 | 11171HN91000S1 | COVER, cylinder head front     | 1       |                   | 10    |
| 3           | 11173HN9100          | 11173HN9100    | 11173HN9100    | 11173HN9100          | 11173HN9100    | 11173HN9100    | 11173HN9100    | GASKET, cylinder head cover    | 1       |                   | 10    |
| 4           | 11141HN9101          | 11141HN9101    | 11141HN9101    | 11141HN9101          | 11141HN9101    | 11141HN9101    | 11141HN9101    | GASKET, cylinder head          | 1       |                   | 10    |
| 5           | 13110HP9300          | 13110HP9300    | 13110HP9300    | 13110HP9300          | 13110HP9300    | 13110HP9300    | 13110HP9300    | PIPE COMP, intake front        | 1       |                   | 5     |
| 6           | 09402-56208          | 09402-56208    | 09402-56208    | 09402-56208          | 09402-56208    | 09402-56208    | 09402-56208    | CLAMP, carburetor              | 1       |                   | 10    |
| 7           | 11131HN9100PCH       | 11131HN9100PCH | 11131HN9100PCH | 11131HN9100PCH       | 11131HN9100PCH | 11131HN9100PCH | 11131HN9100PCH | HOUSING, camshaft intake       | 1       | NOT SALE          |       |
| 8           | 11132HN9100PCH       | 11132HN9100PCH | 11132HN9100PCH | 11132HN9100PCH       | 11132HN9100PCH | 11132HN9100PCH | 11132HN9100PCH | HOUSING, camshaft exhaust      | 1       | NOT SALE          |       |
| 9           | 09482-00456          | 09482-00456    | 09482-00456    | 09482-00456          | 09482-00456    | 09482-00456    | 09482-00456    | PLUG, spark CR8E               | 1       |                   | 10    |
| 10          | 13131HN9100          | 13131HN9100    | 13131HN9100    | 13131HN9100          | 13131HN9100    | 13131HN9100    | 13131HN9100    | O-RING, intake pipe            | 1       |                   | 10    |
| 11          | 09109H07018          | 09109H07018    | 09109H07018    | 09109H07018          | 09109H07018    | 09109H07018    | 09109H07018    | BOLT, cylinder head cover NO.1 | 2       |                   |       |
| 12          | 09161H11008          | 09161H11008    | 09161H11008    | 09161H11008          | 09161H11008    | 09161H11008    | 09161H11008    | WASHER, cylinder head cover    | 2       |                   | 20    |
| 13          | 09106H07017          | 09106H07017    | 09106H07017    | 09106H07017          | 09106H07017    | 09106H07017    | 09106H07017    | BOLT, cylinder head cover NO.2 | 2       |                   | 20    |
| 14          | 09103H06002          | 09103H06002    | 09103H06002    | 09103H06002          | 09103H06002    | 09103H06002    | 09103H06002    | BOLT, camshaft housing         | 12      |                   | 120   |
| 15          | 09206-08001          | 09206-08001    | 09206-08001    | 09206-08001          | 09206-08001    | 09206-08001    | 09206-08001    | KNOCK PIN, camshaft housing    | 4       |                   |       |
| 16          | 09103H10001          | 09103H10001    | 09103H10001    | 09103H10001          | 09103H10001    | 09103H10001    | 09103H10001    | BOLT, cylinder head (M10)      | 4       |                   | 40    |
| 17          | 09160H10002          | 09160H10002    | 09160H10002    | 09160H10002          | 09160H10002    | 09160H10002    | 09160H10002    | WASHER, cylinder head bolt     | 4       |                   | 40    |
| 18          | 07120-06408          | 07120-06408    | 07120-06408    | 07120-06408          | 07120-06408    | 07120-06408    | 07120-06408    | BOLT, cylinder head NO.1 (M6)  | 1       |                   | 10    |
| 19          | 09103H06001          | 09103H06001    | 09103H06001    | 09103H06001          | 09103H06001    | 09103H06001    | 09103H06001    | BOLT, cylinder head NO.2 (M6)  | 2       |                   | 20    |
| 20          | 04213-13189          | 04213-13189    | 04213-13189    | 04213-13189          | 04213-13189    | 04213-13189    | 04213-13189    | PIN, cylinder knock            | 4       |                   | 60    |
| 21          | 01514-08128          | 01514-08128    | 01514-08128    | 01514-08128          | 01514-08128    | 01514-08128    | 01514-08128    | BOLT, oil gallery              | 2       |                   | 30    |
| 22          | 09168-08008          | 09168-08008    | 09168-08008    | 09168-08008          | 09168-08008    | 09168-08008    | 09168-08008    | GASKET, oil gallery bolt       | 2       |                   | 30    |
| 23          | 02122-06208          | 02122-06208    | 02122-06208    | 02122-06208          | 02122-06208    | 02122-06208    | 02122-06208    | SCREW, crank outer             | 2       |                   | 20    |
| 24          | 09280H19001          | 09280H19001    | 09280H19001    | 09280H19001          | 09280H19001    | 09280H19001    | 09280H19001    | O-RING, connector hose union   | 1       |                   | 20    |
| 25          | 17680HN9101          | 17680HN9101    | 17680HN9101    | 17680HN9101          | 17680HN9101    | 17680HN9101    | 17680HN9101    | UNION COMP, connector          | 1       |                   | 20    |
| 26          | 07110-06108          | 07110-06108    | 07110-06108    | 07110-06108          | 07110-06108    | 07110-06108    | 07110-06108    | BOLT                           | 1       |                   | 20    |

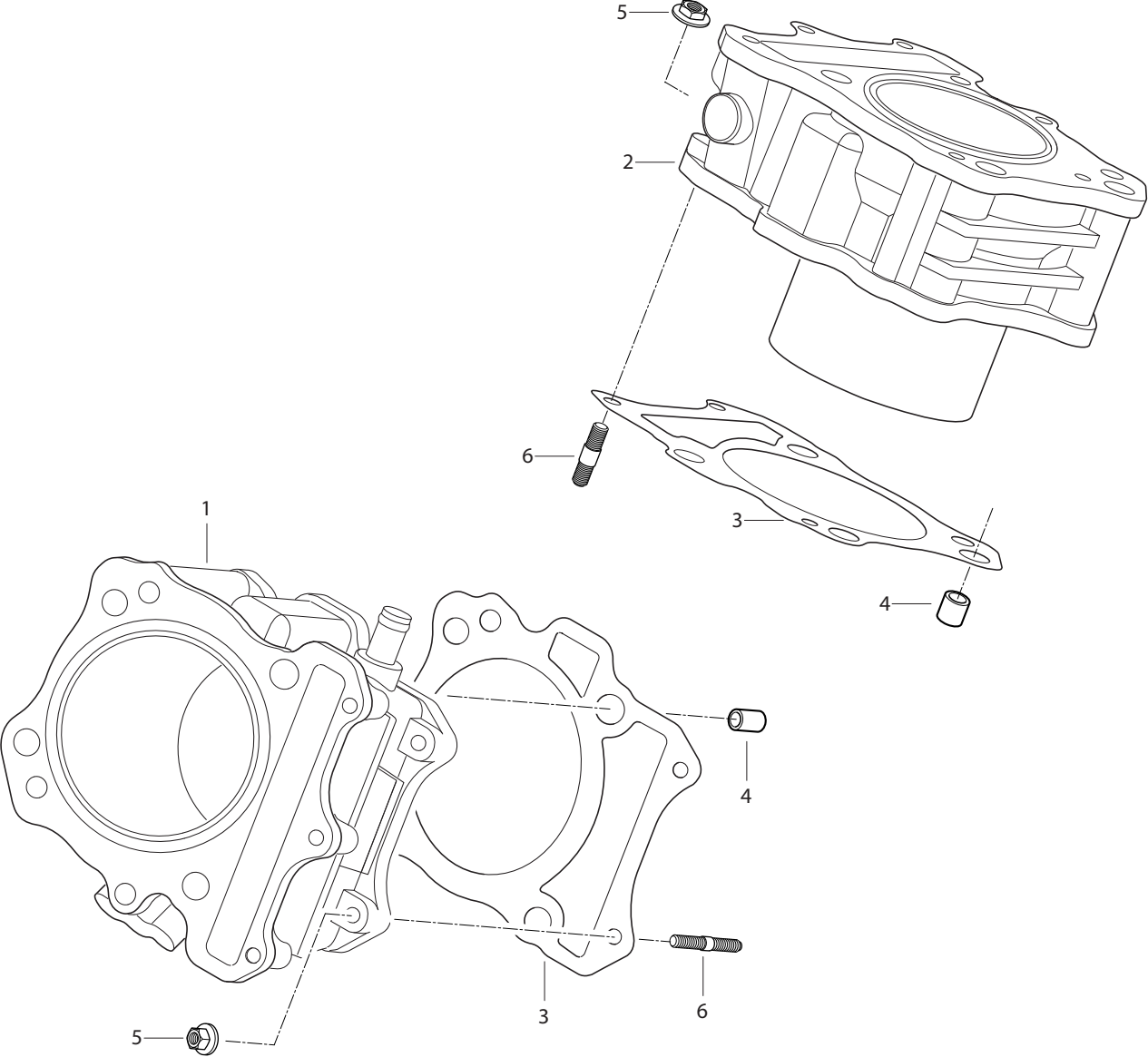
FIG 1-2



## FIG 1-2. CYLINDER HEAD/(REAR)

| REF.<br>NO. | GT650R - FI (2008)   |                |                | GT650RN - EI (2009)  |                |                | PART NAME      | Q'TY                           | REMARKS | REC.Q'TY<br>(PCS) |       |
|-------------|----------------------|----------------|----------------|----------------------|----------------|----------------|----------------|--------------------------------|---------|-------------------|-------|
|             | 7EU01/7G01/7S01/7F01 | 7US02          | 8US01          | 9EU01/9G01/9S01/9F01 | BRAZIL         | 9AT02          |                |                                |         |                   | 9US02 |
| 1           | 11120SN9120HPA       | 11120SN9120HPA | 11120SN9120HPA | 11120SN9120HPA       | 11120SN9120HPA | 11120SN9110HPA | 11120SN9110HPA | HEAD ASS'Y, cylinder rear      | 1       |                   | 5     |
| 2           | 11171HN91000S1       | 11171HN91000S1 | 11171HN91000S1 | 11171HN91000S1       | 11171HN91000S1 | 11171HN9100121 | 11171HN9100121 | COVER, cylinder head rear      | 1       |                   | 10    |
| 3           | 11173HN9100          | 11173HN9100    | 11173HN9100    | 11173HN9100          | 11173HN9100    | 11173HN9100    | 11173HN9100    | GASKET, cylinder head cover    | 1       |                   | 10    |
| 4           | 11141HN9101          | 11141HN9101    | 11141HN9101    | 11141HN9101          | 11141HN9101    | 11141HN9101    | 11141HN9101    | GASKET, cylinder head          | 1       |                   | 10    |
| 5           | 13120HP9300          | 13120HP9300    | 13120HP9300    | 13120HP9300          | 13120HP9300    | 13120HP9300    | 13120HP9300    | PIPE COMP, intake rear         | 1       |                   | 5     |
| 6           | 09402-56208          | 09402-56208    | 09402-56208    | 09402-56208          | 09402-56208    | 09402-56208    | 09402-56208    | CLAMP, carburetor              | 1       |                   | 10    |
| 7           | 11131HN9100PCH       | 11131HN9100PCH | 11131HN9100PCH | 11131HN9100PCH       | 11131HN9100PCH | 11131HN9100PCH | 11131HN9100PCH | HOUSING, camshaft intake       | 1       | NOT SALE          |       |
| 8           | 11132HN9100PCH       | 11132HN9100PCH | 11132HN9100PCH | 11132HN9100PCH       | 11132HN9100PCH | 11132HN9100PCH | 11132HN9100PCH | HOUSING, camshaft exhaust      | 1       | NOT SALE          |       |
| 9           | 09482-00456          | 09482-00456    | 09482-00456    | 09482-00456          | 09482-00456    | 09482-00456    | 09482-00456    | PLUG, spark CR8E               | 1       |                   | 10    |
| 10          | 13131HN9100          | 13131HN9100    | 13131HN9100    | 13131HN9100          | 13131HN9100    | 13131HN9100    | 13131HN9100    | O-RING, intake pipe            | 1       |                   | 10    |
| 11          | 09109H07018          | 09109H07018    | 09109H07018    | 09109H07018          | 09109H07018    | 09109H07018    | 09109H07018    | BOLT, cylinder head cover NO.1 | 2       |                   |       |
| 12          | 09161H11008          | 09161H11008    | 09161H11008    | 09161H11008          | 09161H11008    | 09161H11008    | 09161H11008    | WASHER, cylinder head cover    | 2       |                   | 20    |
| 13          | 09106H07017          | 09106H07017    | 09106H07017    | 09106H07017          | 09106H07017    | 09106H07017    | 09106H07017    | BOLT, cylinder head cover NO.2 | 2       |                   | 20    |
| 14          | 09103H06002          | 09103H06002    | 09103H06002    | 09103H06002          | 09103H06002    | 09103H06002    | 09103H06002    | BOLT, camshaft housing         | 12      |                   | 120   |
| 15          | 09206-08001          | 09206-08001    | 09206-08001    | 09206-08001          | 09206-08001    | 09206-08001    | 09206-08001    | KNOCK PIN, camshaft housing    | 4       |                   |       |
| 16          | 09103H10001          | 09103H10001    | 09103H10001    | 09103H10001          | 09103H10001    | 09103H10001    | 09103H10001    | BOLT, cylinder head (M10)      | 4       |                   | 40    |
| 17          | 09160H10002          | 09160H10002    | 09160H10002    | 09160H10002          | 09160H10002    | 09160H10002    | 09160H10002    | WASHER, cylinder head bolt     | 4       |                   | 40    |
| 18          | 07120-06408          | 07120-06408    | 07120-06408    | 07120-06408          | 07120-06408    | 07120-06408    | 07120-06408    | BOLT, cylinder head NO.1 (M6)  | 1       |                   | 10    |
| 19          | 09103H06001          | 09103H06001    | 09103H06001    | 09103H06001          | 09103H06001    | 09103H06001    | 09103H06001    | BOLT, cylinder head NO.2 (M6)  | 2       |                   | 20    |
| 20          | 04213-13189          | 04213-13189    | 04213-13189    | 04213-13189          | 04213-13189    | 04213-13189    | 04213-13189    | PIN, cylinder head knock       | 4       |                   | 60    |
| 21          | 01514-08128          | 01514-08128    | 01514-08128    | 01514-08128          | 01514-08128    | 01514-08128    | 01514-08128    | BOLT, oil gallery              | 2       |                   | 30    |
| 22          | 09168-08008          | 09168-08008    | 09168-08008    | 09168-08008          | 09168-08008    | 09168-08008    | 09168-08008    | GASKET, oil gallery bolt       | 2       |                   | 30    |
| 23          | 02122-06208          | 02122-06208    | 02122-06208    | 02122-06208          | 02122-06208    | 02122-06208    | 02122-06208    | SCREW, crank outer             | 2       |                   | 20    |
| 24          | 09280H19001          | 09280H19001    | 09280H19001    | 09280H19001          | 09280H19001    | 09280H19001    | 09280H19001    | O-RING, connector hose union   | 1       |                   | 20    |
| 25          | 17680HN9101          | 17680HN9101    | 17680HN9101    | 17680HN9101          | 17680HN9101    | 17680HN9101    | 17680HN9101    | UNION COMP, connector          | 1       |                   | 20    |
| 26          | 07110-06108          | 07110-06108    | 07110-06108    | 07110-06108          | 07110-06108    | 07110-06108    | 07110-06108    | BOLT                           | 1       |                   | 20    |

FIG 2

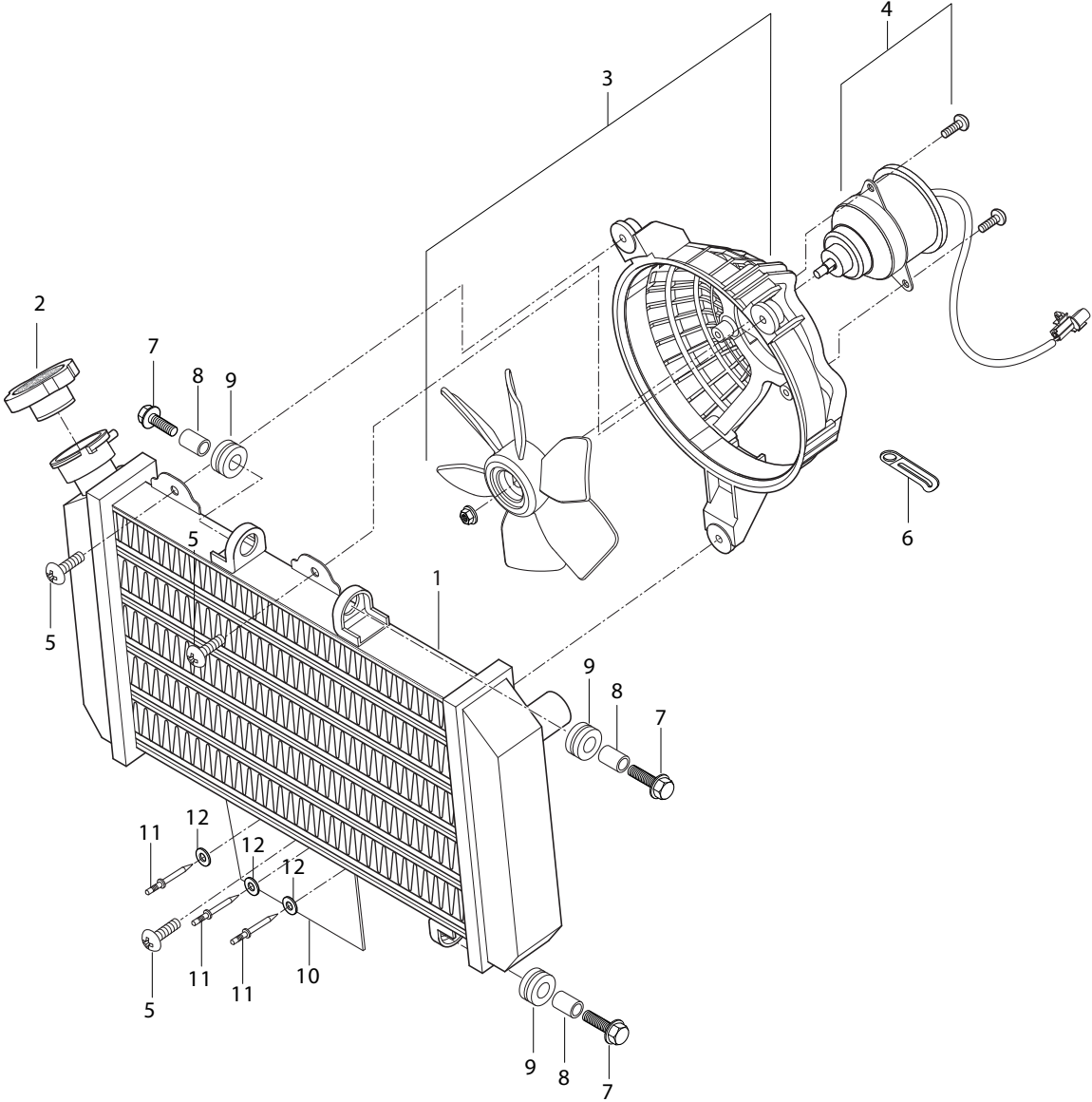


## FIG 2. CYLINDER /FRONT, REAR

| REF.<br>NO. | GT650R - FI (2008)   |                |                | GT650RN - EI (2009)  |                |                |                | PART NAME                | Q'TY | REMARKS | REC.Q'TY<br>(PCS) |
|-------------|----------------------|----------------|----------------|----------------------|----------------|----------------|----------------|--------------------------|------|---------|-------------------|
|             | 7EU01/7G01/7S01/7F01 | 7US02          | 8US01          | 9EU01/9G01/9S01/9F01 | BRAZIL         | 9AT02          | 9US02          |                          |      |         |                   |
| 1           | 11210HN9100HPA       | 11210HN9100HPA | 11210HN9100HPA | 11210HN9100HPA       | 11210HN9100HPA | 11210HN9110HPA | 11210HN9110HPA | CYLINDER COMP, front     | 1    |         | 5                 |
| 2           | 11220HN9100HPA       | 11220HN9100HPA | 11220HN9100HPA | 11220HN9100HPA       | 11220HN9100HPA | 11220HN9110HPA | 11220HN9110HPA | CYLINDER COMP, rear      | 1    |         | 5                 |
| 3           | 11241HN9101          | 11241HN9101    | 11241HN9101    | 11241HN9101          | 11241HN9101    | 11241HN9101    | 11241HN9101    | GASKET, cylinder         | 2    |         | 10                |
| 4           | 04213-13189          | 04213-13189    | 04213-13189    | 04213-13189          | 04213-13189    | 04213-13189    | 04213-13189    | PIN, cylinder head knock | 4    |         | 60                |
| 5           | 08316-16068          | 08316-16068    | 08316-16068    | 08316-16068          | 08316-16068    | 08316-16068    | 08316-16068    | NUT, cylinder (M6)       | 4    |         | 25                |
| 6           | 01421-06258          | 01421-06258    | 01421-06258    | 01421-06258          | 01421-06258    | 01421-06258    | 01421-06258    | BOLT, cylinder stud (M6) | 4    |         | 20                |



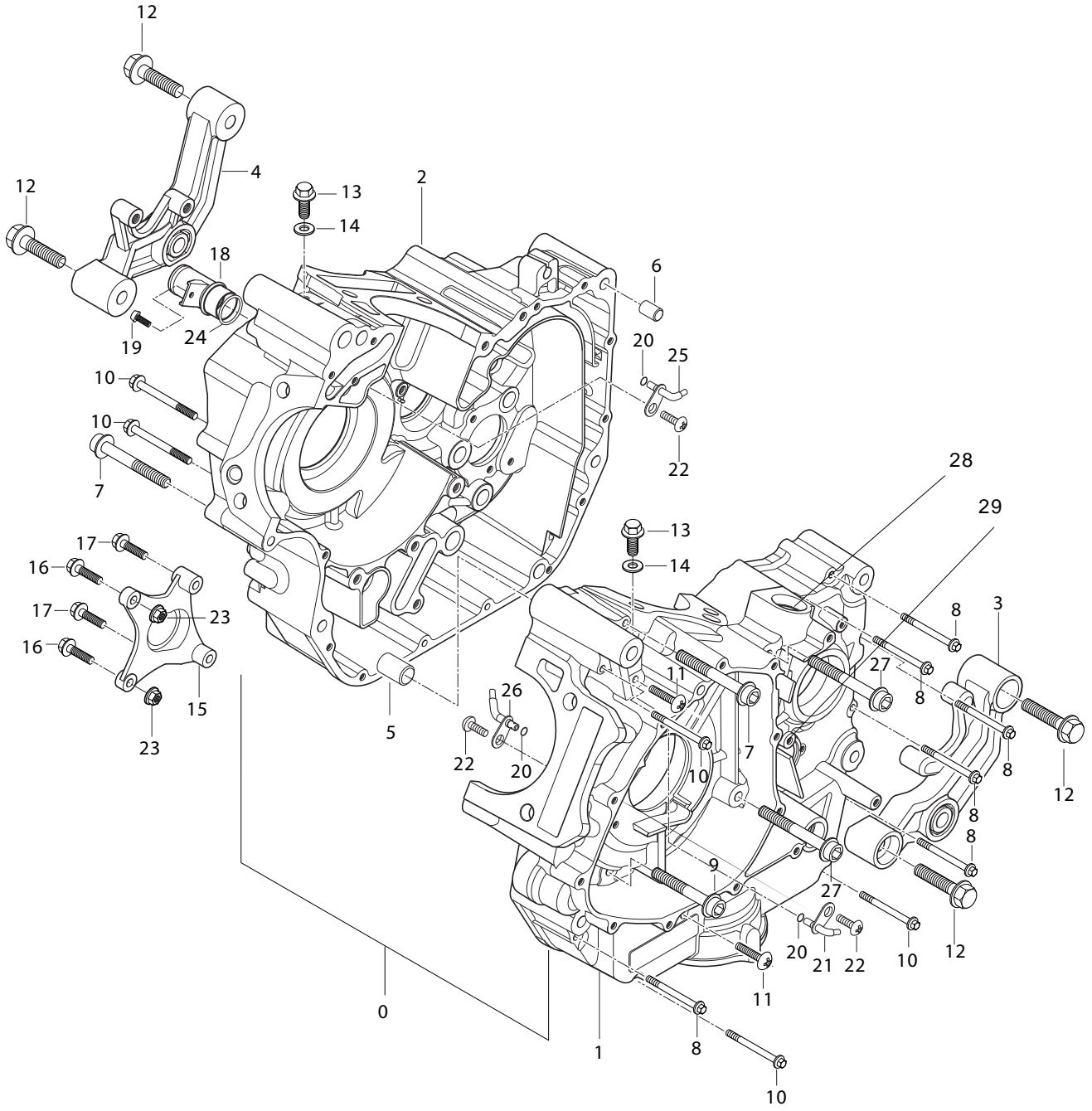
FIG 3



# FIG 3. RADIATOR

| REF.<br>NO. | GT650R - FI (2008)   |             |             | GT650RN - EI (2009)  |             |             |             | PART NAME                 | Q'TY | REMARKS | REC.Q'TY<br>(PCS) |
|-------------|----------------------|-------------|-------------|----------------------|-------------|-------------|-------------|---------------------------|------|---------|-------------------|
|             | 7EU01/7G01/7S01/7F01 | 7US02       | 8US01       | 9EU01/9G01/9S01/9F01 | BRAZIL      | 9AT02       | 9US02       |                           |      |         |                   |
| 1           | 17710HN9102          | 17710HN9102 | 17710HN9102 | 17710HN9102          | 17710HN9102 | 17710HN9102 | 17710HN9102 | RADIATOR COMP, water      | 1    |         | 5                 |
| 2           | 17720HN9100          | 17720HN9100 | 17720HN9100 | 17720HN9100          | 17720HN9100 | 17720HN9100 | 17720HN9100 | CAP COMP, radiator        | 1    |         | 5                 |
| 3           | 17800HN9102          | 17800HN9102 | 17800HN9102 | 17800HN9102          | 17800HN9102 | 17800HN9102 | 17800HN9102 | FAN ASS'Y, radiator       | 1    |         | 5                 |
| 4           | 17810HN9100          | 17810HN9100 | 17810HN9100 | 17810HN9100          | 17810HN9100 | 17810HN9100 | 17810HN9100 | MOTOR ASS'Y, radiator fan | 1    |         | 5                 |
| 5           | 02142-05165          | 02142-05165 | 02142-05165 | 02142-05165          | 02142-05165 | 02142-05165 | 02142-05165 | BOLT, radiator fan        | 3    |         |                   |
| 6           | 09404-06429          | 09404-06429 | 09404-06429 | 09404-06429          | 09404-06429 | 09404-06429 | 09404-06429 | CLAMP, radiator fan       | 1    |         |                   |
| 7           | 09116-06143          | 09116-06143 | 09116-06143 | 09116-06143          | 09116-06143 | 09116-06143 | 09116-06143 | BOLT, radiator            | 3    |         | 15                |
| 8           | 09180-06030          | 09180-06030 | 09180-06030 | 09180-06030          | 09180-06030 | 09180-06030 | 09180-06030 | SPACER, radiator          | 3    |         | 15                |
| 9           | 09320-10015          | 09320-10015 | 09320-10015 | 09320-10015          | 09320-10015 | 09320-10015 | 09320-10015 | CUSHION, radiator         | 3    |         | 15                |
| 10          | 17761HN9100          | 17761HN9100 | 17761HN9100 | 17761HN9100          | 17761HN9100 | 17761HN9100 | 17761HN9100 | MUD GUARD, radiator       | 1    |         | 5                 |
| 11          | 09229-03011          | 09229-03011 | 09229-03011 | 09229-03011          | 09229-03011 | 09229-03011 | 09229-03011 | RIVET, mud guard          | 3    |         | 35                |
| 12          | 68928-09F00          | 68928-09F00 | 68928-09F00 | 68928-09F00          | 68928-09F00 | 68928-09F00 | 68928-09F00 | WASHER, mud guard rivet   | 3    |         |                   |
| 13          | 68150HN9100          | 68150HN9100 | 68150HN9100 | 68150HN9100          | 68150HN9100 | 68150HN9100 | 68150HN9100 | PLATE, radiator           | 2    |         | 10                |
| 14          | 68170HN9100          | 68170HN9100 | 68170HN9100 | 68170HN9100          | 68170HN9100 | 68170HN9100 | 68170HN9100 | LABEL, radiator           | 1    |         | 5                 |

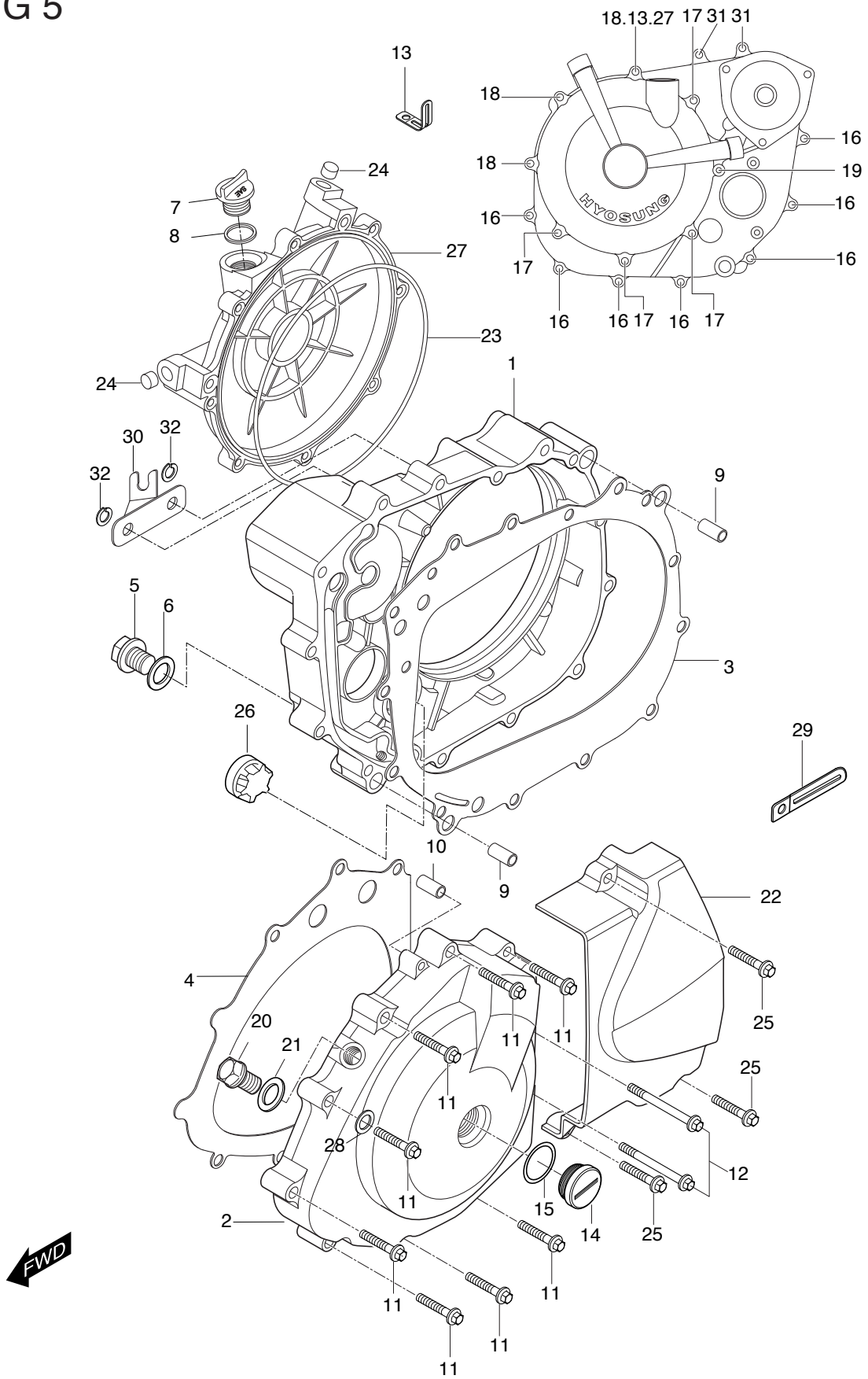
FIG 4



# FIG 4. CRANK CASE

| REF.<br>NO. | GT650R - FI (2008)   |                |                | GT650RN - EI (2009)  |                |                |                | PART NAME                            | Q'TY | REMARKS | REC.Q'TY<br>(PCS) |
|-------------|----------------------|----------------|----------------|----------------------|----------------|----------------|----------------|--------------------------------------|------|---------|-------------------|
|             | 7EU01/7G01/7S01/7F01 | 7US02          | 8US01          | 9EU01/9G01/9S01/9F01 | BRAZIL         | 9AT02          | 9US02          |                                      |      |         |                   |
| 0           | 11300HN9100HPA       | 11300HN9100HPA | 11300HN9100HPA | 11300HN9100HPA       | 11300HN9100HPA | 11300HN9100HPA | 11300HN9100HPA | CRANKCASE ASS'Y                      | 1    |         | 5                 |
| 1           | 11320HN9100HPA       | 11320HN9100HPA | 11320HN9100HPA | 11320HN9100HPA       | 11320HN9100HPA | 11320HN9110HPA | 11320HN9110HPA | CRANKCASE COMP, L                    | 1    |         | 5                 |
| 2           | 11310HN9100HPA       | 11310HN9100HPA | 11310HN9100HPA | 11310HN9100HPA       | 11310HN9100HPA | 11310HN9110HPA | 11310HN9110HPA | CRANKCASE COMP, R                    | 1    |         | 5                 |
| 3           | 41171HN9101121       | 41171HN9101121 | 41171HN9101121 | 41171HN9101121       | 41171HN9101121 | 41171HN9101121 | 41171HN9101121 | LINK, engine mounting L(Black)       | 1    |         | 5                 |
| 4           | 41161HN9101121       | 41161HN9101121 | 41161HN9101121 | 41161HN9101121       | 41161HN9101121 | 41161HN9101121 | 41161HN9101121 | LINK, engine mounting R(Black)       | 1    |         | 5                 |
| 5           | 09206H18001          | 09206H18001    | 09206H18001    | 09206H18001          | 09206H18001    | 09206H18001    | 09206H18001    | PIN, crank case knock                | 1    |         | 20                |
| 6           | 04213-13189          | 04213-13189    | 04213-13189    | 04213-13189          | 04213-13189    | 04213-13189    | 04213-13189    | PIN, crank case knock                | 2    |         | 60                |
| 7           | 07120-08608          | 07120-08608    | 07120-08608    | 07120-08608          | 07120-08608    | 07120-08608    | 07120-08608    | BOLT, crank case M8                  | 2    |         | 10                |
| 8           | 01547-06608          | 01547-06608    | 01547-06608    | 01547-06608          | 01547-06608    | 01547-06608    | 01547-06608    | BOLT, crank case M6                  | 6    |         | 40                |
| 9           | 07120-08708          | 07120-08708    | 07120-08708    | 07120-08708          | 07120-08708    | 07120-08708    | 07120-08708    | BOLT, crank case M8                  | 2    |         | 10                |
| 10          | 01547-06808          | 01547-06808    | 01547-06808    | 01547-06808          | 01547-06808    | 01547-06808    | 01547-06808    | BOLT, crankcase M6                   | 6    |         | 25                |
| 11          | 02112-06958          | 02112-06958    | 02112-06958    | 02112-06958          | 02112-06958    | 02112-06958    | 02112-06958    | SCREW, crankcase                     | 2    |         | 10                |
| 12          | 01517-10458          | 01517-10458    | 01517-10458    | 01517-10458          | 01517-10458    | 01517-10458    | 01517-10458    | BOLT, engine mounting link & cylhead | 4    |         | 25                |
| 13          | 01514-08128          | 01514-08128    | 01514-08128    | 01514-08128          | 01514-08128    | 01514-08128    | 01514-08128    | BOLT, oil gallery                    | 2    |         | 30                |
| 14          | 09168-08008          | 09168-08008    | 09168-08008    | 09168-08008          | 09168-08008    | 09168-08008    | 09168-08008    | GASKET, oil gallery bolt             | 2    |         | 30                |
| 15          | 31135HN91000S1       | 31135HN91000S1 | 31135HN91000S1 | 31135HN91000S1       | 31135HN91000S1 | 31135HN9100121 | 31135HN9100121 | BRACKET, starter motor               | 1    |         |                   |
| 16          | 01547-06258          | 01547-06258    | 01547-06258    | 01547-06258          | 01547-06258    | 01547-06258    | 01547-06258    | BOLT, starter motor bracket          | 2    |         | 20                |
| 17          | 01547-06308          | 01547-06308    | 01547-06308    | 01547-06308          | 01547-06308    | 01547-06308    | 01547-06308    | BOLT, starter motor                  | 2    |         | 30                |
| 18          | 17481HN9100          | 17481HN9100    | 17481HN9100    | 17481HN9100          | 17481HN9100    | 17481HN9100    | 17481HN9100    | UNION, water pump hose               | 1    |         | 5                 |
| 19          | 07110-06108          | 07110-06108    | 07110-06108    | 07110-06108          | 07110-06108    | 07110-06108    | 07110-06108    | BOLT, water hose union               | 1    |         |                   |
| 20          | 09280H04001          | 09280H04001    | 09280H04001    | 09280H04001          | 09280H04001    | 09280H04001    | 09280H04001    | O-RING, oil jet                      | 3    |         | 30                |
| 21          | 11440HN9100          | 11440HN9100    | 11440HN9100    | 11440HN9100          | 11440HN9100    | 11440HN9100    | 11440HN9100    | JET COMP, starter clutch oil         | 1    |         | 5                 |
| 22          | 02112-06108          | 02112-06108    | 02112-06108    | 02112-06108          | 02112-06108    | 02112-06108    | 02112-06108    | SCREW, oil jet                       | 3    |         | 15                |
| 23          | 08313-11068          | 08313-11068    | 08313-11068    | 08313-11068          | 08313-11068    | 08313-11068    | 08313-11068    | NUT, starter motor bracket           | 2    |         | 15                |
| 24          | 09280H21001          | 09280H21001    | 09280H21001    | 09280H21001          | 09280H21001    | 09280H21001    | 09280H21001    | O-RING, water pump union             | 1    |         | 5                 |
| 25          | 11430HN9100          | 11430HN9100    | 11430HN9100    | 11430HN9100          | 11430HN9100    | 11430HN9100    | 11430HN9100    | JET COMP, piston rear oil            | 1    |         | 5                 |
| 26          | 11420HN9100          | 11420HN9100    | 11420HN9100    | 11420HN9100          | 11420HN9100    | 11420HN9100    | 11420HN9100    | JET COMP, piston front oil           | 1    |         | 5                 |
| 27          | 09103H08001          | 09103H08001    | 09103H08001    | 09103H08001          | 09103H08001    | 09103H08001    | 09103H08001    | BOLT, crank case M8(L100)            | 2    |         | 10                |
| 28          | 09263H18001          | 09263H18001    | 09263H18001    | 09263H18001          | 09263H18001    | 09263H18001    | 09263H18001    | BG, clutch release cam No1           | 1    |         |                   |
| 29          | 09263H10009          | 09263H10009    | 09263H10009    | 09263H10009          | 09263H10009    | 09263H10009    | 09263H10009    | BG, clutch release cam No2           | 1    |         |                   |

FIG 5

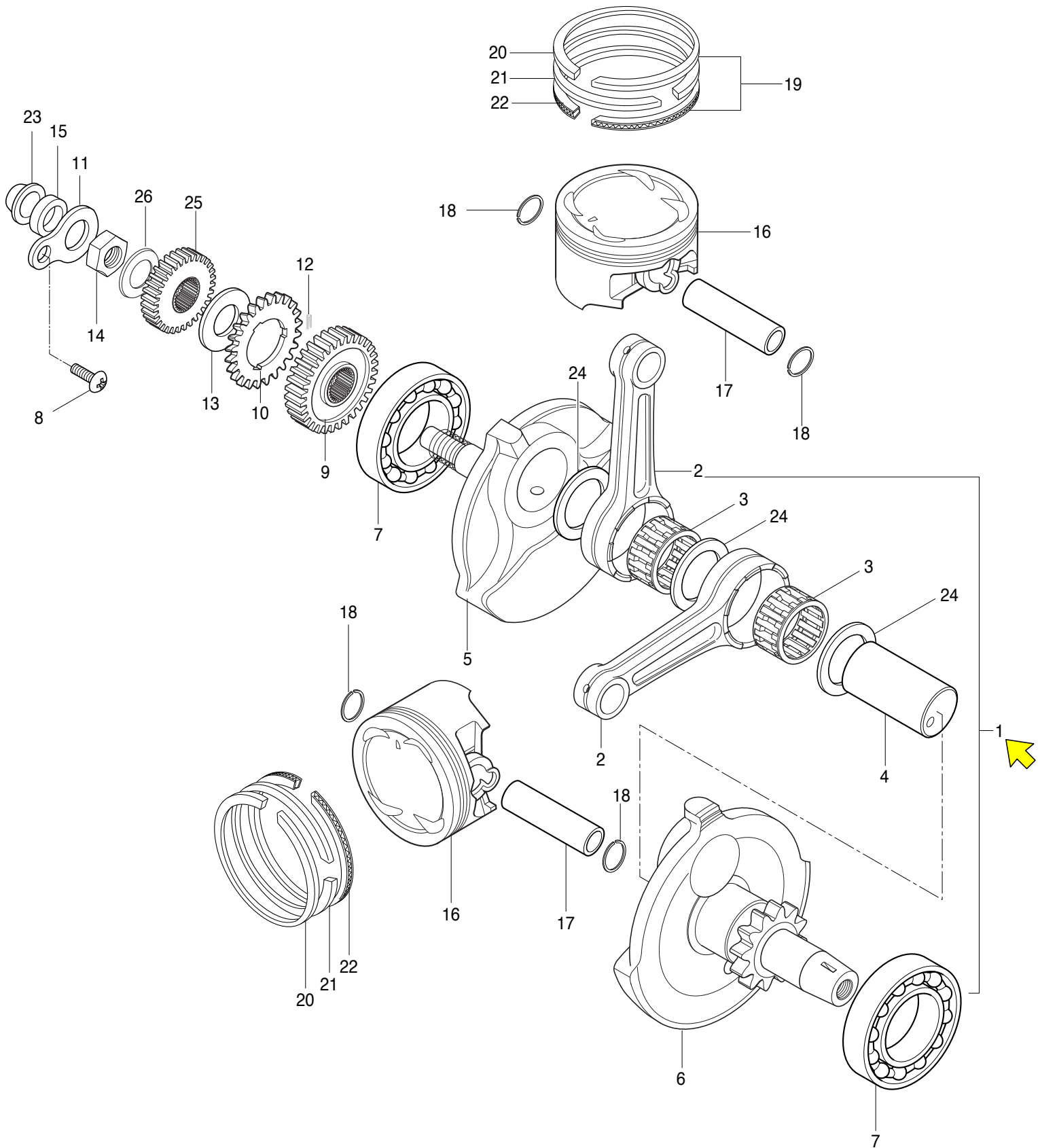




# FIG 5. CRANK CASE COVER

| REF.<br>NO. | GT650R - FI (2008)   |                |                | GT650RN - EI (2009)  |                |                | PART NAME      | Q'TY                                      | REMARKS | REC.Q'TY<br>(PCS) |       |
|-------------|----------------------|----------------|----------------|----------------------|----------------|----------------|----------------|---|---------|-------------------|-------|
|             | 7EU01/7G01/7S01/7F01 | 7US02          | 8US01          | 9EU01/9G01/9S01/9F01 | BRAZIL         | 9AT02          |                |   |         |                   | 9US02 |
| 1           | 11331SN9101HPA       | 11331SN9101HPA | 11331SN9101HPA | 11331SN9101HPA       | 11331SN9101HPA | 11331SN9110HPA | 11331SN9110HPA | COVER COMP, clutch (With oil lens & plug) | 1       |                   |       |
| 2           | 11351HN91020S1       | 11351HN91020S1 | 11351HN91020S1 | 11351HN91020S1       | 11351HN91020S1 | 11351HN9120121 | 11351HN9120121 | COVER , magneto                           | 1       |                   | 5     |
| 3           | 11481HN9101          | 11481HN9101    | 11481HN9101    | 11481HN9101          | 11481HN9101    | 11481HN9101    | 11481HN9101    | GASKET, clutch cover (NA)                 | 1       |                   | 5     |
| 4           | 11483HN9101          | 11483HN9101    | 11483HN9101    | 11483HN9101          | 11483HN9101    | 11483HN9101    | 11483HN9101    | GASKET, magneto cover                     | 1       |                   | 5     |
| 5           | 09247-14026          | 09247-14026    | 09247-14026    | 09247-14026          | 09247-14026    | 09247-14026    | 09247-14026    | PLUG, oil check                           | 1       |                   | 5     |
| 6           | 09168H14003          | 09168H14003    | 09168H14003    | 09168H14003          | 09168H14003    | 09168H14003    | 09168H14003    | GASKET, oil check plug                    | 1       |                   | 10    |
| 7           | 09259-2000903P       | 09259-2000903P | 09259-2000903P | 09259-2000903P       | 09259-2000903P | 09259-2000903P | 09259-2000903P | PLUG, engine oil filler                   | 1       |                   | 5     |
| 8           | 09280-17003          | 09280-17003    | 09280-17003    | 09280-17003          | 09280-17003    | 09280-17003    | 09280-17003    | O-RING, engine oil filler plug            | 1       |                   | 5     |
| 9           | 04213-13189          | 04213-13189    | 04213-13189    | 04213-13189          | 04213-13189    | 04213-13189    | 04213-13189    | PIN, clutch cover knock                   | 2       |                   | 60    |
| 10          | 04213-09129          | 04213-09129    | 04213-09129    | 04213-09129          | 04213-09129    | 04213-09129    | 04213-09129    | PIN, magneto cover knock                  | 1       |                   | 5     |
| 11          | 01547-06358          | 01547-06358    | 01547-06358    | 01547-06358          | 01547-06358    | 01547-06358    | 01547-06358    | BOLT, magneto cover                       | 8       |                   | 85    |
| 12          | 01547-06558          | 01547-06558    | 01547-06558    | 01547-06558          | 01547-06558    | 01547-06558    | 01547-06558    | BOLT, magneto cover                       | 2       |                   | 10    |
| 13          | 09404-06401          | 09404-06401    | 09404-06401    | 09404-06401          | 09404-06401    | 09404-06401    | 09404-06401    | CLAMP, clutch cover                       | 1       |                   |       |
| 14          | 09259-2601503P       | 09259-2601503P | 09259-2601503P | 09259-2601503P       | 09259-2601503P | 09259-2601503P | 09259-2601503P | PLUG, crankshaft hole                     | 1       |                   | 5     |
| 15          | 09280-22008          | 09280-22008    | 09280-22008    | 09280-22008          | 09280-22008    | 09280-22008    | 09280-22008    | O-RING, crankshaft hole plug              | 1       |                   | 5     |
| 16          | 01547-06358          | 01547-06358    | 01547-06358    | 01547-06358          | 01547-06358    | 01547-06358    | 01547-06358    | BOLT, clutch cover                        | 9       |                   | 85    |
| 17          | 01547-06258          | 01547-06258    | 01547-06258    | 01547-06258          | 01547-06258    | 01547-06258    | 01547-06258    | BOLT, clutch cover outer                  | 4       |                   | 20    |
| 18          | 01547-06708          | 01547-06708    | 01547-06708    | 01547-06708          | 01547-06708    | 01547-06708    | 01547-06708    | BOLT, clutch cover outer                  | 3       |                   | 15    |
| 19          | 01547-06508          | 01547-06508    | 01547-06508    | 01547-06508          | 01547-06508    | 01547-06508    | 01547-06508    | BOLT, clutch cover outer                  | 1       |                   | 5     |
| 20          | 09247H12102          | 09247H12102    | 09247H12102    | 09247H12102          | 09247H12102    | 09247H12102    | 09247H12102    | PLUG, TDC                                 | 1       |                   | 5     |
| 21          | 09168H12003          | 09168H12003    | 09168H12003    | 09168H12003          | 09168H12003    | 09168H12003    | 09168H12003    | GASKET, TDC plug                          | 1       |                   | 5     |
| 22          | 11361HN91000S1       | 11361HN91000S1 | 11361HN91000S1 | 11361HN91000S1       | 11361HN91000S1 | 11361HN9100121 | 11361HN9100121 | COVER, engine sprocket                    | 1       |                   | 5     |
| 23          | 11482HN9100          | 11482HN9100    | 11482HN9100    | 11482HN9100          | 11482HN9100    | 11482HN9100    | 11482HN9100    | O-RING, clutch outer cover                | 1       |                   | 5     |
| 24          | 09243-11005          | 09243-11005    | 09243-11005    | 09243-11005          | 09243-11005    | 09243-11005    | 09243-11005    | PLUG, oil gallery                         | 3       |                   | 15    |
| 25          | 01547-06258          | 01547-06258    | 01547-06258    | 01547-06258          | 01547-06258    | 01547-06258    | 01547-06258    | BOLT, engine sprocket cover               | 3       |                   | 20    |
| 26          | 11332HN9100          | 11332HN9100    | 11332HN9100    | 11332HN9100          | 11332HN9100    | 11332HN9100    | 11332HN9100    | LENS, oil level check                     | 1       |                   | 5     |
| 27          | 11341HN9101HPA       | 11341HN9101HPA | 11341HN9101HPA | 11341HN9101HPA       | 11341HN9101HPA | 11341HN9110HPA | 11341HN9110HPA | COV CLUTCH, outer                         | 1       |                   | 5     |
| 28          | 09168H06019          | 09168H06019    | 09168H06019    | 09168H06019          | 09168H06019    | 09168H06019    | 09168H06019    | GASKET, magneto cover bolt                | 2       |                   | 25    |
| 29          | 09404-06401          | 09404-06401    | 09404-06401    | 09404-06401          | 09404-06401    | 09404-06401    | 09404-06401    | CLAMP                                     | 1       |                   |       |
| 30          | 13353HP9401          | 13353HP9401    | 13353HP9401    | 13353HP9401          | 13353HP9401    | 13353HP9401    | 13353HP9401    | BRACKET, carburetor adjust                | 1       |                   |       |
| 31          | 01547-06408          | 01547-06408    | 01547-06408    | 01547-06408          | 01547-06408    | 01547-06408    | 01547-06408    | BOLT,magnet cover                         | 2       |                   |       |
| 32          | 08321-31088          | 08321-31088    | 08321-31088    | 08321-31088          | 08321-31088    | 08321-31088    | 08321-31088    | LOCK, washer                              | 2       |                   |       |

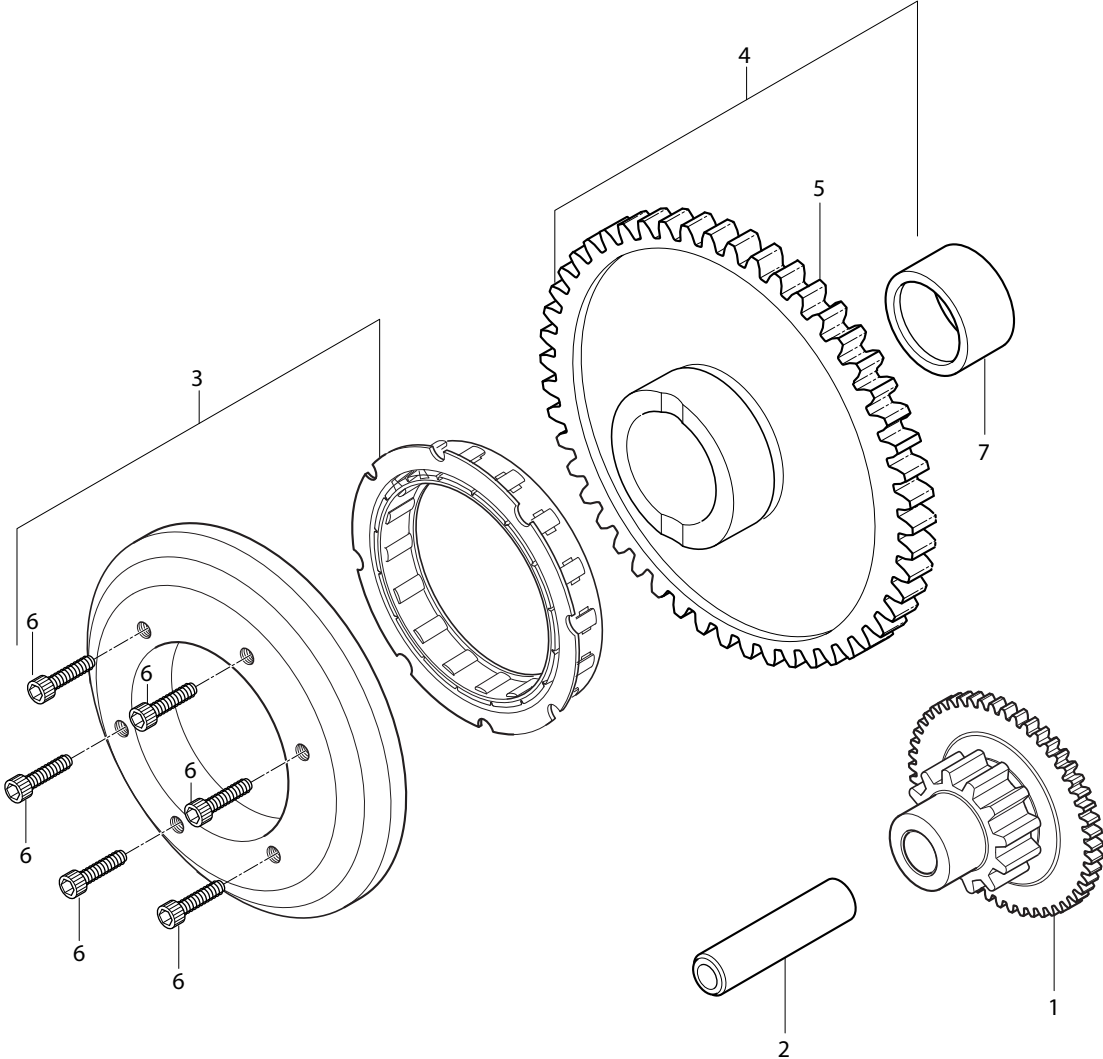
FIG 6



# FIG 6. CRANK SHAFT

| REF. NO. | GT650R - FI (2008)   |                |                | GT650RN - EI (2009)  |                |                | PART NAME      | Q'TY                                 | REMARKS | REC.Q'TY (PCS) |       |
|----------|----------------------|----------------|----------------|----------------------|----------------|----------------|----------------|--------------------------------------|---------|----------------|-------|
|          | 7EU01/7G01/7S01/7F01 | 7US02          | 8US01          | 9EU01/9G01/9S01/9F01 | BRAZIL         | 9AT02          |                |                                      |         |                | 9US02 |
| 1        | 12200HN9100HPA       | 12200HN9100HPA | 12200HN9100HPA | 12200HN9100HPA       | 12200HN9100HPA | 12200HN9100HPA | 12200HN9100HPA | CRANK SHAFT ASS'Y                    | 1       |                | 5     |
| 2        | 12161HN9101          | 12161HN9101    | 12161HN9101    | 12161HN9101          | 12161HN9101    | 12161HN9101    | 12161HN9101    | ROD, connecting                      | 2       |                | 10    |
| 3        | 09263H37001          | 09263H37001    | 09263H37001    | 09263H37001          | 09263H37001    | 09263H37001    | 09263H37001    | BEARING, crank pin                   | 2       |                | 10    |
| 4        | 12211HN9100HPA       | 12211HN9100HPA | 12211HN9100HPA | 12211HN9100HPA       | 12211HN9100HPA | 12211HN9100HPA | 12211HN9100HPA | PIN COMP, crank                      | 1       |                | 5     |
| 5        | 12221HN9102CSA       | 12221HN9102CSA | 12221HN9102CSA | 12221HN9102CSA       | 12221HN9102CSA | 12221HN9102CSA | 12221HN9102CSA | CRANK SHAFT, R                       | 1       |                | 5     |
| 6        | 12261HN9102CSA       | 12261HN9102CSA | 12261HN9102CSA | 12261HN9102CSA       | 12261HN9102CSA | 12261HN9102CSA | 12261HN9102CSA | CRANK SHAFT, L                       | 1       |                | 5     |
| 7        | 09262H35001          | 09262H35001    | 09262H35001    | 09262H35001          | 09262H35001    | 09262H35001    | 09262H35001    | BEARING, crank shaft                 | 2       |                | 10    |
| 8        | 02112-06126          | 02112-06126    | 02112-06126    | 02112-06126          | 02112-06126    | 02112-06126    | 02112-06126    | SCREW, crank shaft oil seal retainer | 1       |                | 5     |
| 9        | 21111HN9100          | 21111HN9100    | 21111HN9100    | 21111HN9100          | 21111HN9100    | 21111HN9100    | 21111HN9100    | GEAR, primary drive                  | 1       |                | 5     |
| 10       | 21112HN9100          | 21112HN9100    | 21112HN9100    | 21112HN9100          | 21112HN9100    | 21112HN9100    | 21112HN9100    | GEAR, primary drive NO.2             | 1       |                | 5     |
| 11       | 12281HN9100          | 12281HN9100    | 12281HN9100    | 12281HN9100          | 12281HN9100    | 12281HN9100    | 12281HN9100    | RETAINER, crank shaft oil seal       | 1       |                | 5     |
| 12       | 21114-35C00          | 21114-35C00    | 21114-35C00    | 21114-35C00          | 21114-35C00    | 21114-35C00    | 21114-35C00    | SPRING, primary drive gear           | 3       |                | 15    |
| 13       | 08211-22422          | 08211-22422    | 08211-22422    | 08211-22422          | 08211-22422    | 08211-22422    | 08211-22422    | WASHER, primary drive gear thrust    | 1       |                | 5     |
| 14       | 09140H18001          | 09140H18001    | 09140H18001    | 09140H18001          | 09140H18001    | 09140H18001    | 09140H18001    | NUT, primary drive gear              | 1       |                | 5     |
| 15       | 09282-12001          | 09282-12001    | 09282-12001    | 09282-12001          | 09282-12001    | 09282-12001    | 09282-12001    | SEAL, crank shaft oil RH             | 1       |                | 5     |
| 16       | 12111HN9101          | 12111HN9101    | 12111HN9101    | 12111HN9101          | 12111HN9101    | 12111HN9101    | 12111HN9101    | PISTON                               | 2       |                | 10    |
| 17       | 12151HN9101          | 12151HN9101    | 12151HN9101    | 12151HN9101          | 12151HN9101    | 12151HN9101    | 12151HN9101    | PIN, piston                          | 2       |                | 10    |
| 18       | 09381H20001          | 09381H20001    | 09381H20001    | 09381H20001          | 09381H20001    | 09381H20001    | 09381H20001    | CIRCLIP, piston pin                  | 4       |                | 20    |
| 19       | 12140HN9100          | 12140HN9100    | 12140HN9100    | 12140HN9100          | 12140HN9100    | 12140HN9100    | 12140HN9100    | RINGSET, piston                      | 2       |                | 30    |
| 20       | 12141HN9100          | 12141HN9100    | 12141HN9100    | 12141HN9100          | 12141HN9100    | 12141HN9100    | 12141HN9100    | RING, piston 1st                     | 2       |                |       |
| 21       | 12142HN9100          | 12142HN9100    | 12142HN9100    | 12142HN9100          | 12142HN9100    | 12142HN9100    | 12142HN9100    | RING, piston 2nd                     | 2       |                |       |
| 22       | 12144HN9100          | 12144HN9100    | 12144HN9100    | 12144HN9100          | 12144HN9100    | 12144HN9100    | 12144HN9100    | RING, piston oil                     | 2       |                |       |
| 23       | 12291HN9100          | 12291HN9100    | 12291HN9100    | 12291HN9100          | 12291HN9100    | 12291HN9100    | 12291HN9100    | JET, crank shaft RH                  | 1       |                | 5     |
| 24       | 09160H37001          | 09160H37001    | 09160H37001    | 09160H37001          | 09160H37001    | 09160H37001    | 09160H37001    | WASHER, connrod thrust               | 3       |                | 15    |
| 25       | 17511HN9103          | 17511HN9103    | 17511HN9103    | 17511HN9103          | 17511HN9103    | 17511HN9103    | 17511HN9103    | GEAR, water pump drive               | 1       |                | 5     |
| 26       | 09164H18001          | 09164H18001    | 09164H18001    | 09164H18001          | 09164H18001    | 09164H18001    | 09164H18001    | WASHER, water pump drive gear lock   | 1       |                | 5     |
| 27       | 12212HN9100          | 12212HN9100    | 12212HN9100    | 12212HN9100          | 12212HN9100    | 12212HN9100    | 12212HN9100    | PLUG, crank pim                      | 2       |                |       |

FIG.7

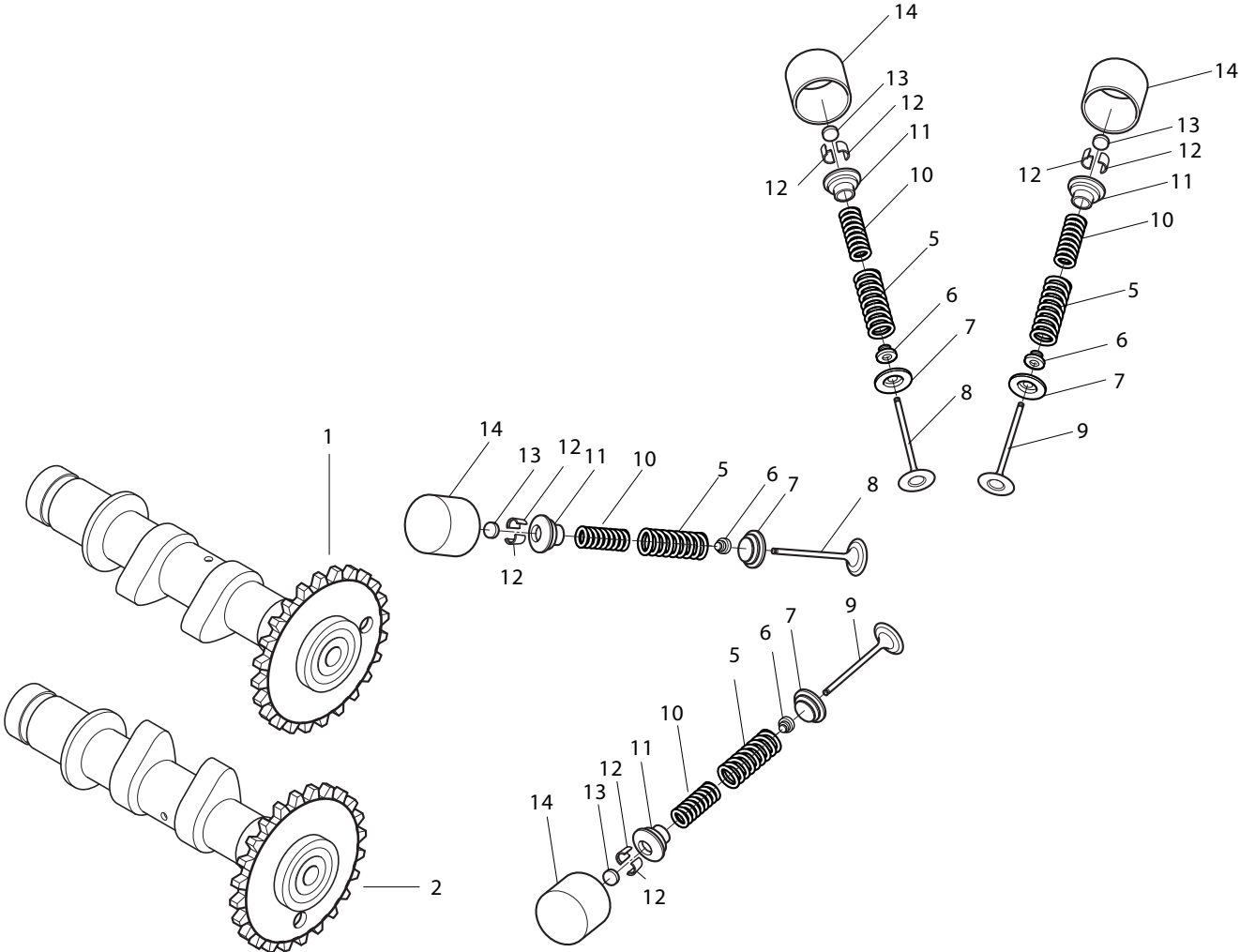
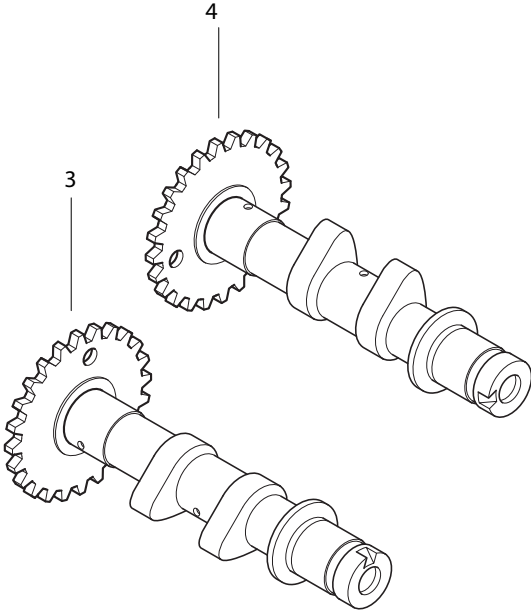


## FIG 7. STARTER CLUTCH

| REF.<br>NO. | GT650R - FI (2008)   |             |             | GT650RN - EI (2009)  |             |             |             | PART NAME                 | Q'TY | REMARKS  | REC.Q'TY<br>(PCS) |
|-------------|----------------------|-------------|-------------|----------------------|-------------|-------------|-------------|---------------------------|------|----------|-------------------|
|             | 7EU01/7G01/7S01/7F01 | 7US02       | 8US01       | 9EU01/9G01/9S01/9F01 | BRAZIL      | 9AT02       | 9US02       |                           |      |          |                   |
| 1           | 12611HN9100          | 12611HN9100 | 12611HN9100 | 12611HN9100          | 12611HN9100 | 12611HN9100 | 12611HN9100 | GEAR, starter idle        | 1    |          | 5                 |
| 2           | 09206-13003          | 09206-13003 | 09206-13003 | 09206-13003          | 09206-13003 | 09206-13003 | 09206-13003 | PIN,starter idle gear     | 1    |          | 5                 |
| 3           | 12614HN9101          | 12614HN9101 | 12614HN9101 | 12614HN9101          | 12614HN9101 | 12614HN9101 | 12614HN9101 | CLUTCH, starter one way   | 1    |          | 5                 |
| 4           | 12620HN9102          | 12620HN9102 | 12620HN9102 | 12620HN9102          | 12620HN9102 | 12620HN9102 | 12620HN9102 | GEAR COMP, starter clutch | 1    |          | 5                 |
| 5           | 12620HN9101          | 12620HN9101 | 12620HN9101 | 12620HN9101          | 12620HN9101 | 12620HN9101 | 12620HN9101 | GEAR, starter clutch      | 1    | NOT SALE |                   |
| 6           | 07110-08168          | 07110-08168 | 07110-08168 | 07110-08168          | 07110-08168 | 07110-08168 | 07110-08168 | BOLT, starter clutch      | 6    |          | 30                |
| 7           | 09304H27001          | 09304H27001 | 09304H27001 | 09304H27001          | 09304H27001 | 09304H27001 | 09304H27001 | BUSH, starter clutch gear | 1    | NOT SALE |                   |



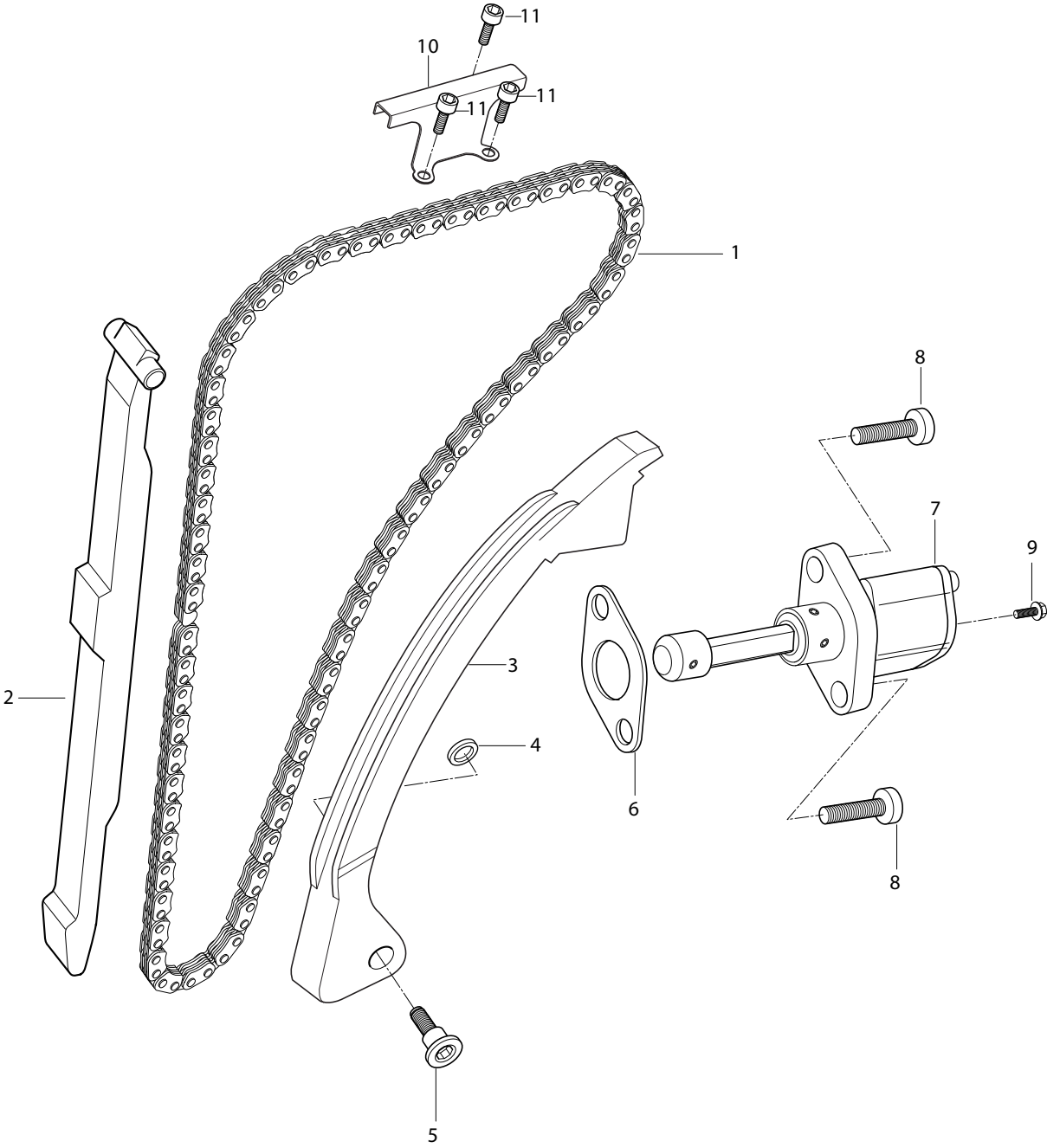
FIG 8



## FIG 8. CAMSHAFT / VALVE

| REF. NO. | GT650R - FI (2008)   |                |                | GT650RN - EI (2009)  |                |                |                | PART NAME                     | Q'TY | REMARKS | REC.Q'TY (PCS) |
|----------|----------------------|----------------|----------------|----------------------|----------------|----------------|----------------|-------------------------------|------|---------|----------------|
|          | 7EU01/7G01/7S01/7F01 | 7US02          | 8US01          | 9EU01/9G01/9S01/9F01 | BRAZIL         | 9AT02          | 9US02          |                               |      |         |                |
| 1        | 12710HN9100HPA       | 12710HN9100HPA | 12710HN9100HPA | 12710HN9100HPA       | 12710HN9100HPA | 12710HN9100HPA | 12710HN9100HPA | CAMSHAFT ASS'Y, front intake  | 1    |         | 10             |
| 2        | 12730HN9100HPA       | 12730HN9100HPA | 12730HN9100HPA | 12730HN9100HPA       | 12730HN9100HPA | 12730HN9100HPA | 12730HN9100HPA | CAMSHAFT ASS'Y, front exhaust | 1    |         | 10             |
| 3        | 12720HN9100HPA       | 12720HN9100HPA | 12720HN9100HPA | 12720HN9100HPA       | 12720HN9100HPA | 12720HN9100HPA | 12720HN9100HPA | CAMSHAFT ASS'Y, rear intake   | 1    |         | 10             |
| 4        | 12740HN9100HPA       | 12740HN9100HPA | 12740HN9100HPA | 12740HN9100HPA       | 12740HN9100HPA | 12740HN9100HPA | 12740HN9100HPA | CAMSHAFT ASS'Y, rear exhaust  | 1    |         | 10             |
| 5        | 12922HN9100          | 12922HN9100    | 12922HN9100    | 12922HN9100          | 12922HN9100    | 12922HN9100    | 12922HN9100    | SPRING, valve outer           | 8    |         | 40             |
| 6        | 09289H04002          | 09289H04002    | 09289H04002    | 09289H04002          | 09289H04002    | 09289H04002    | 09289H04002    | SEAL, valve stem oil          | 8    |         | 40             |
| 7        | 12933HN9100          | 12933HN9100    | 12933HN9100    | 12933HN9100          | 12933HN9100    | 12933HN9100    | 12933HN9100    | SEAT, valve spring            | 8    |         | 40             |
| 8        | 12911HN9101          | 12911HN9101    | 12911HN9101    | 12911HN9101          | 12911HN9101    | 12911HN9101    | 12911HN9101    | VALVE, intake                 | 4    |         | 20             |
| 9        | 12912HN9101          | 12912HN9101    | 12912HN9101    | 12912HN9101          | 12912HN9101    | 12912HN9101    | 12912HN9101    | VALVE, exhaust                | 4    |         | 20             |
| 10       | 12921HN9101          | 12921HN9101    | 12921HN9101    | 12921HN9101          | 12921HN9101    | 12921HN9101    | 12921HN9101    | SPRING, valve inner           | 8    |         | 40             |
| 11       | 12931HN9100          | 12931HN9100    | 12931HN9100    | 12931HN9100          | 12931HN9100    | 12931HN9100    | 12931HN9100    | RETAINER, valve spring        | 8    |         | 40             |
| 12       | 12932HJ8200          | 12932HJ8200    | 12932HJ8200    | 12932HJ8200          | 12932HJ8200    | 12932HJ8200    | 12932HJ8200    | COTTER, valve                 | 16   |         | 80             |
| 13       | 12892-05C00170       | 12892-05C00170 | 12892-05C00170 | 12892-05C00170       | 12892-05C00170 | 12892-05C00170 | 12892-05C00170 | SHIM, tappet (size 120-220)   | 8    |         | 40             |
| 14       | 12881HN9100          | 12881HN9100    | 12881HN9100    | 12881HN9100          | 12881HN9100    | 12881HN9100    | 12881HN9100    | TAPPET                        | 8    |         | 40             |

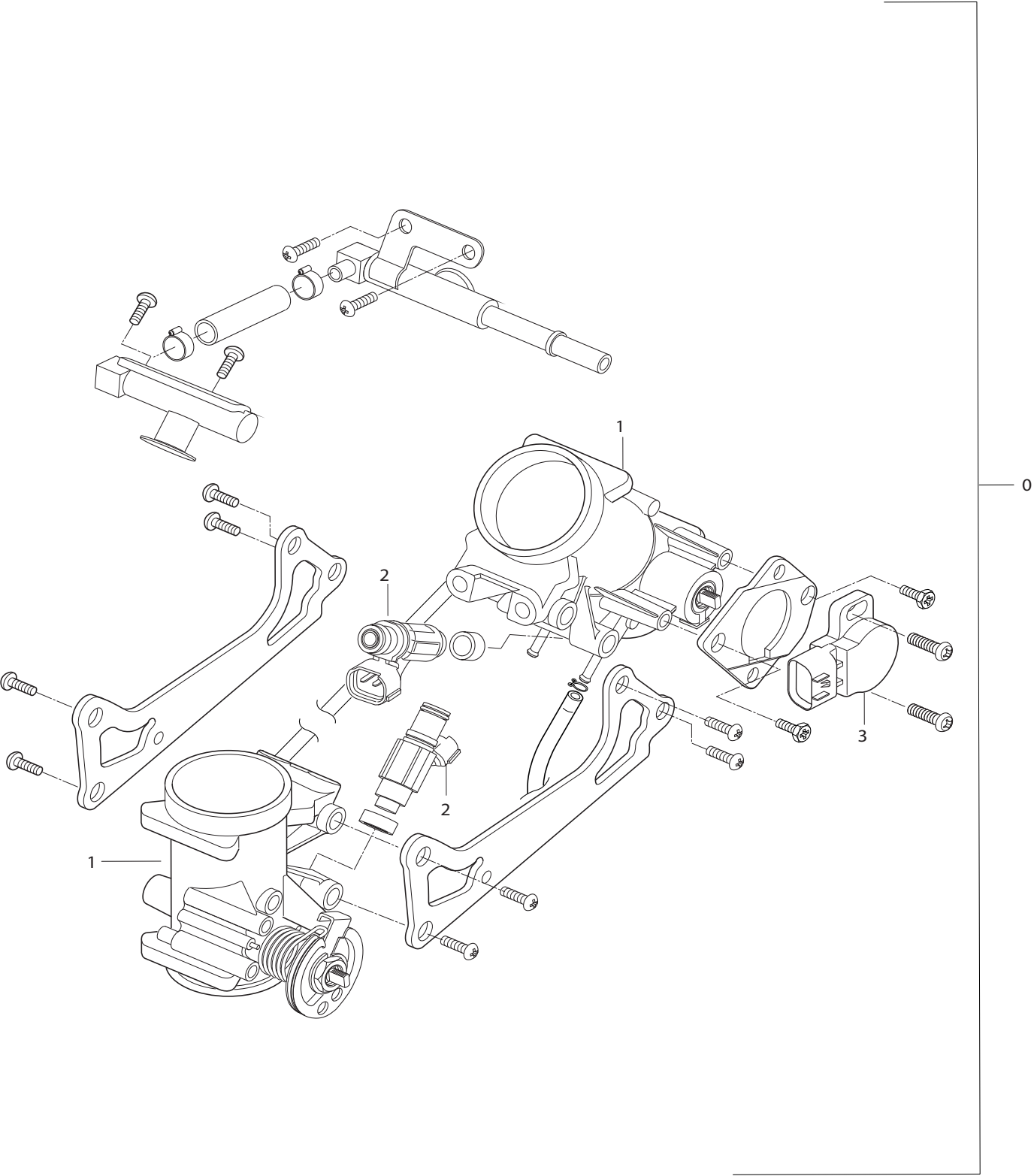
FIG 9



## FIG 9. CAM CHAIN

| REF.<br>NO. | GT650R - FI (2008)   |             |             | GT650RN - EI (2009)  |             |             |             | PART NAME                       | Q'TY | REMARKS | REC.Q'TY<br>(PCS) |
|-------------|----------------------|-------------|-------------|----------------------|-------------|-------------|-------------|---------------------------------|------|---------|-------------------|
|             | 7EU01/7G01/7S01/7F01 | 7US02       | 8US01       | 9EU01/9G01/9S01/9F01 | BRAZIL      | 9AT02       | 9US02       |                                 |      |         |                   |
| 1           | 12760HN9100          | 12760HN9100 | 12760HN9100 | 12760HN9100          | 12760HN9100 | 12760HN9100 | 12760HN9100 | CHAIN COMP, camshaft drive      | 2    |         | 10                |
| 2           | 12771HN9100          | 12771HN9100 | 12771HN9100 | 12771HN9100          | 12771HN9100 | 12771HN9100 | 12771HN9100 | GUIDE, camchain NO.1            | 2    |         | 10                |
| 3           | 12811HN9101          | 12811HN9101 | 12811HN9101 | 12811HN9101          | 12811HN9101 | 12811HN9101 | 12811HN9101 | TENSIONER, camchain             | 2    |         | 10                |
| 4           | 08211-06181          | 08211-06181 | 08211-06181 | 08211-06181          | 08211-06181 | 08211-06181 | 08211-06181 | WASHER, camchain tensioner bolt | 2    |         | 10                |
| 5           | 12812HN9101          | 12812HN9101 | 12812HN9101 | 12812HN9101          | 12812HN9101 | 12812HN9101 | 12812HN9101 | BOLT, camchain tensioner        | 1    |         | 5                 |
| 6           | 12837HP8900          | 12837HP8900 | 12837HP8900 | 12837HP8900          | 12837HP8900 | 12837HP8900 | 12837HP8900 | GASKET, tensioner adjuster      | 2    |         | 10                |
| 7           | 12830HN9120          | 12830HN9120 | 12830HN9120 | 12830HN9120          | 12830HN9120 | 12830HN9120 | 12830HN9120 | ADJUSTER ASS'Y, tensioner       | 2    |         | 10                |
| 8           | 07110-06208          | 07110-06208 | 07110-06208 | 07110-06208          | 07110-06208 | 07110-06208 | 07110-06208 | BOLT, tensioner adjuster        | 4    |         | 30                |
| 9           | 12839-38200          | 12839-38200 | 12839-38200 | 12839-38200          | 12839-38200 | 12839-38200 | 12839-38200 | PLUG, adjuster                  | 2    |         | 10                |
| 10          | 12782HN9100          | 12782HN9100 | 12782HN9100 | 12782HN9100          | 12782HN9100 | 12782HN9100 | 12782HN9100 | GUIDE, camchain No.2            | 2    |         | 10                |
| 11          | 07110-06108          | 07110-06108 | 07110-06108 | 07110-06108          | 07110-06108 | 07110-06108 | 07110-06108 | BOLT, camchain guide No.2       | 6    |         |                   |

FIG 10



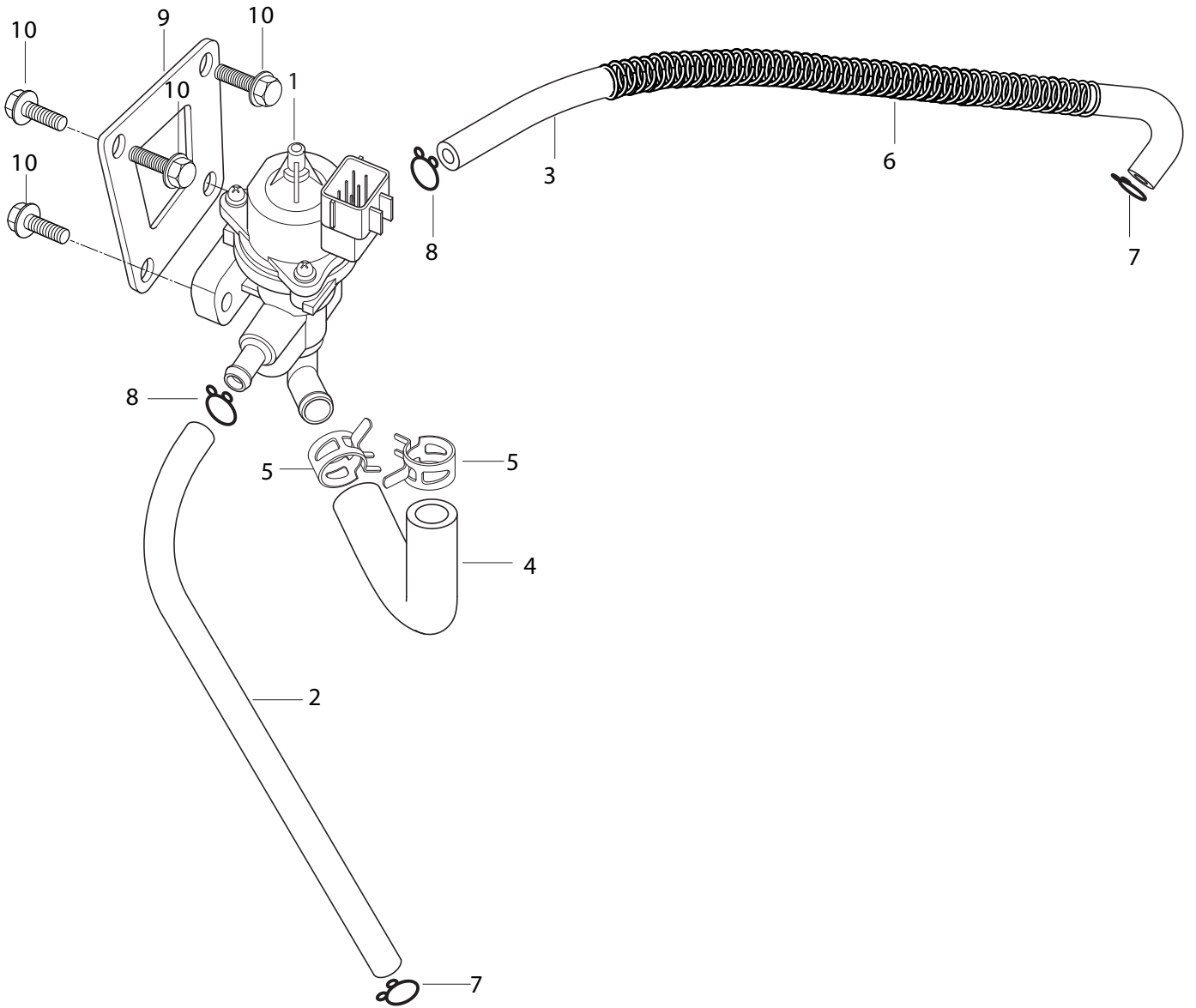
FWD



## FIG 10. THROTTLE BODY ASS'Y

| REF.<br>NO. | GT650R - FI (2008)   |             |             | GT650RN - EI (2009)  |             |             |             | PART NAME                       | Q'TY | REMARKS | REC.Q'TY<br>(PCS) |
|-------------|----------------------|-------------|-------------|----------------------|-------------|-------------|-------------|---------------------------------|------|---------|-------------------|
|             | 7EU01/7G01/7S01/7F01 | 7US02       | 8US01       | 9EU01/9G01/9S01/9F01 | BRAZIL      | 9AT02       | 9US02       |                                 |      |         |                   |
| 0           | 13400HP9300          | 13400HP9300 | 13400HP9300 | 13400H89300          | 13400H89300 | 13400HP9310 | 13400H89300 | BODY ASS'Y, throttle            | 1    |         | 10                |
| 1           | 13410HP9300          | 13410HP9300 | 13410HP9300 | 13410HP9300          | 13410HP9300 | 13410HP9300 | 13410HP9300 | BODY COMP, throttle             | 2    |         |                   |
| 2           | 15710HP9300          | 15710HP9300 | 15710HP9300 | 15710HP9300          | 15710HP9300 | 15710HP9300 | 15710HP9300 | INJECTOR                        | 2    |         | 10                |
| 3           | 13580HP9301          | 13580HP9301 | 13580HP9301 | 13580HP9301          | 13580HP9301 | 13580HP9301 | 13580HP9301 | SENSOR, ihrottle position (tps) | 1    |         | 10                |
|             |                      |             |             | 15810HP9301          | 15810HP9301 | 15810H99700 | 15810HP9301 | HOSE,FUEL INJECT                | 1    |         |                   |

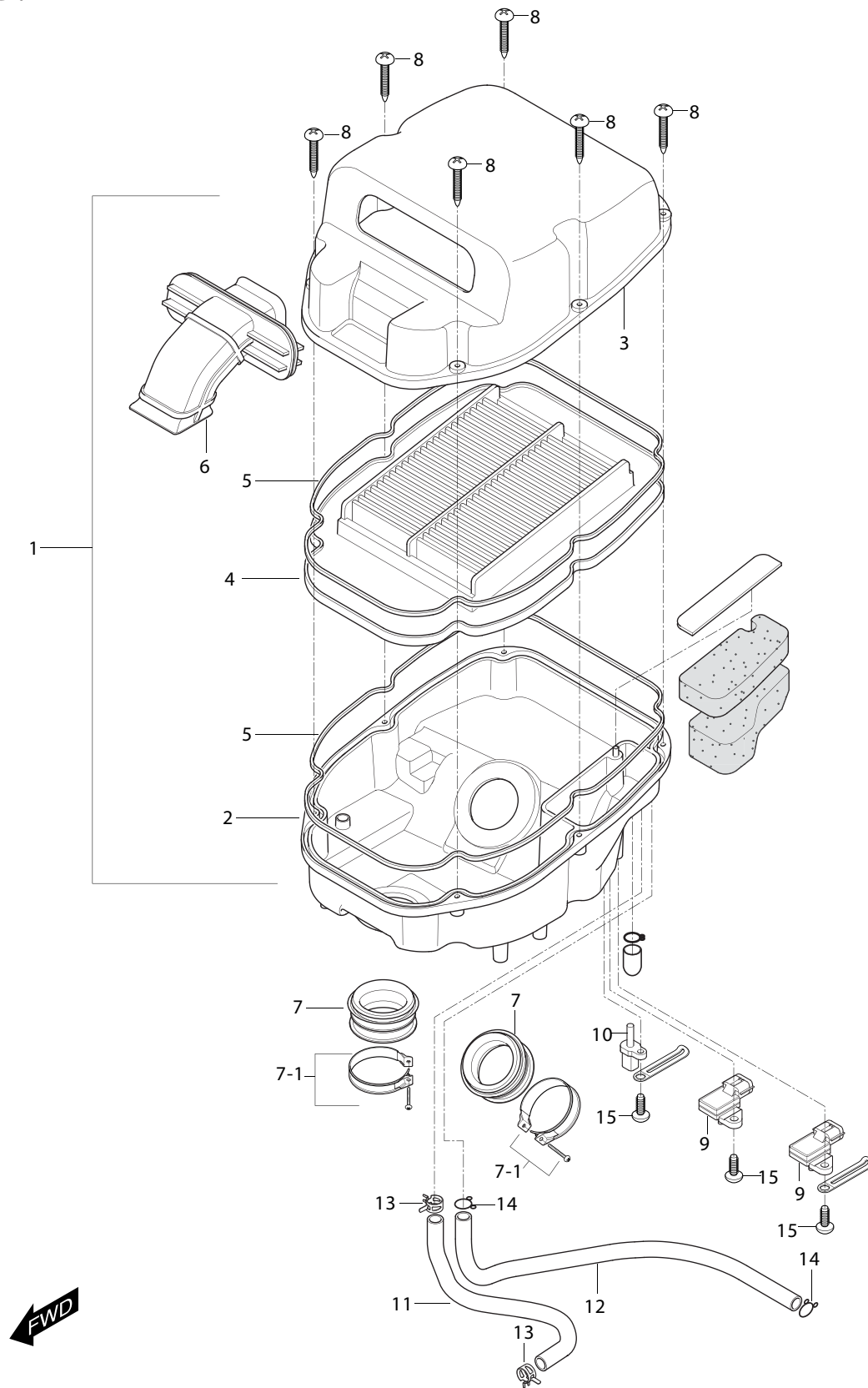
FIG 11



# FIG 11. ISC

| REF.<br>NO. | GT650R - FI (2008)   |             |             | GT650RN - EI (2009)  |             |             |             | PART NAME                   | Q'TY | REMARKS | REC.Q'TY<br>(PCS) |
|-------------|----------------------|-------------|-------------|----------------------|-------------|-------------|-------------|-----------------------------|------|---------|-------------------|
|             | 7EU01/7G01/7S01/7F01 | 7US02       | 8US01       | 9EU01/9G01/9S01/9F01 | BRAZIL      | 9AT02       | 9US02       |                             |      |         |                   |
| 1           | 37940HP9300          | 37940HP9300 | 37940HP9300 | 37940HR8410          | 37940HR8410 | 37940HR8410 | 37940HR8410 | IDLE SPEED CONTROL SENSOR   | 1    |         | 10                |
| 2           | 18741HR9800          | 18741HR9800 | 18741HR9800 | 18731H89800          | 18731H89800 | 18731H89800 | 18731H89800 | HOSE, isc No.1              | 1    |         | 10                |
| 3           | 18741HP9300          | 18741HP9300 | 18741HP9300 | 18731H89300          | 18731H89300 | 18731H89300 | 18731H89300 | HOSE, isc No.2              | 1    |         | 10                |
| 4           | 18751HP9300          | 18751HP9300 | 18751HP9300 | 18751H89300          | 18751H89300 | 18751H89300 | 18751H89300 | HOSE, isc air cleaner       | 1    |         | 10                |
| 5           | 09401H16401          | 09401H16401 | 09401H16401 | 09401H16401          | 09401H16401 | 09401H16401 | 09401H16401 | CLAMP, isc air cleaner hose | 2    |         |                   |
| 6           | 09440-13019          | 09440-13019 | 09440-13019 | 09440-13019          | 09440-13019 | 09440-13019 | 09440-13019 | SPRING, isc No.2 hose       | 1    |         | 10                |
| 7           | 09401-10401          | 09401-10401 | 09401-10401 | 09401-10401          | 09401-10401 | 09401-10401 | 09401-10401 | CLIP, isc hose              | 2    |         | 10                |
| 8           | 09401H11401          | 09401H11401 | 09401H11401 | 09401H11401          | 09401H11401 | 09401H11401 | 09401H11401 | CLIP, isc                   | 2    |         | 10                |
| 9           | 13791HP9300          | 13791HP9300 | 13791HP9300 | 13791HP9300          | 13791HP9300 | 13791HP9300 | 13791HP9300 | BRACKET, isc                | 1    |         | 5                 |
| 10          | 01517-06005          | 01517-06005 | 01517-06005 | 01517-06005          | 01517-06005 | 01517-06005 | 01517-06005 | BOLT, isc bracket           | 4    |         | 10                |

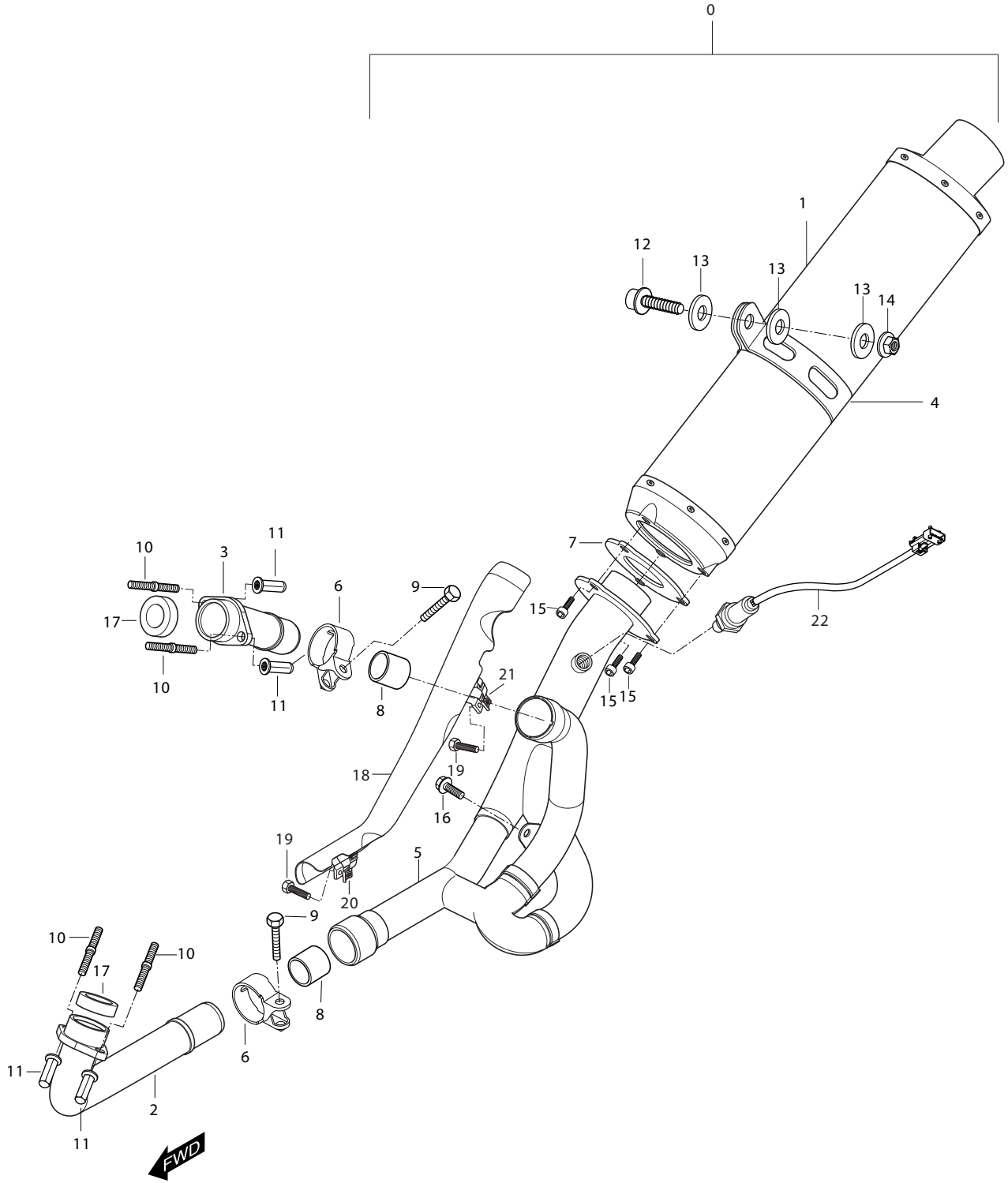
FIG.12



## FIG 12. AIR CLEANER&CHAMBER

| REF. NO. | GT650R - FI (2008)   |             |             | GT650RN - EI (2009)  |             |             |             | PART NAME                            | Q'TY | REMARKS  | REC.Q'TY (PCS) |
|----------|----------------------|-------------|-------------|----------------------|-------------|-------------|-------------|--------------------------------------|------|----------|----------------|
|          | 7EU01/7G01/7S01/7F01 | 7US02       | 8US01       | 9EU01/9G01/9S01/9F01 | BRAZIL      | 9AT02       | 9US02       |                                      |      |          |                |
| 1        | 13700HP9300          | 13700HP9300 | 13700H79760 | 13700H89302          | 13700H89302 | 13700H89302 | 13700H89302 | CLEANER ASS'Y, air                   | 1    |          | 5              |
| 2        | 13720HP9300          | 13720HP9300 | 13720HP9300 | 13720HP9300          | 13720HP9300 | 13720HP9300 | 13720HP9300 | CASE COMP, air cleaner               | 1    | NOT SALE |                |
| 3        | 13780HP9300          | 13780HP9300 | 13780HP9300 | 13780HP9300          | 13780HP9300 | 13780HP9300 | 13780HP9300 | CAP, air cleaner                     | 1    | NOT SALE |                |
| 4        | 13780HP9300          | 13780HP9300 | 13780HP9300 | 13780HP9300          | 13780HP9300 | 13780HP9300 | 13780HP9300 | FILTER COMP, air cleaner             | 1    |          | 20             |
| 5        | 13746HP9300          | 13746HP9300 | 13746HP9300 | 13746HP9300          | 13746HP9300 | 13746HP9300 | 13746HP9300 | GASKET, air cleaner                  | 2    |          | 10             |
| 6        | 13891HP9300          | 13891HP9300 | 13891HP9300 | 13891HP9300          | 13891HP9300 | 13891HP9300 | 13891HP9300 | INLET, tube                          | 1    | NOT SALE | 10             |
| 7        | 13881HP9300          | 13881HP9300 | 13881HP9300 | 13881HP9300          | 13881HP9300 | 13881HP9300 | 13881HP9300 | OUTLET, tube                         | 2    | NOT SALE |                |
| 8        | 09402-54207          | 09402-54207 | 09402-54207 | 09402-54207          | 09402-54207 | 09402-54207 | 09402-54207 | CLAMP, outlet tube                   | 2    |          |                |
| 9        | 03241-05256          | 03241-05256 | 03241-05256 | 03241-05256          | 03241-05256 | 03241-05256 | 03241-05256 | SCREW                                | 6    |          |                |
| 10       | 37920HP9300          | 37920HP9300 | 37920HP9300 | 37920HP9300          | 37920HP9300 | 37920HP9300 | 37920HP9300 | INTAKE, air pressure sensor(iaps)    | 2    |          | 10             |
| 11       | 37930HP9300          | 37930HP9300 | 37930HP9300 | 37930H89300          | 37930H89300 | 37930H89300 | 37930H89300 | INTAKE, air temperatvre sensor(iaps) | 1    |          | 10             |
| 12       | 16821HP9800          | 16821HP9800 | 16821HP9800 | 16821HP9800          | 16821HP9800 | 16821HP9800 | 16821HP9800 | HOSE, breather oil retrvm No.1       | 1    |          | 10             |
| 13       | 16831HN9101          | 16831HN9101 | 16831HN9101 | 16831HN9101          | 16831HN9101 | 16831HN9101 | 16831HN9101 | HOSE, breather oil retrvm No.2       | 1    |          | 10             |
| 14       | 09401H16401          | 09401H16401 | 09401H16401 | 09401H16401          | 09401H16401 | 09401H16401 | 09401H16401 | CLAMP, breather oil retrvm No.1      | 2    |          | 5              |
| 15       | 09401H14401          | 09401H14401 | 09401H14401 | 09401H14401          | 09401H14401 | 09401H14401 | 09401H14401 | CLAMP, breather oil retrvm           | 2    |          | 5              |
| 16       | 03241-05125          | 03241-05125 | 03241-05125 | 03241-05125          | 03241-05125 | 03241-05125 | 03241-05125 | SCREW                                | 3    |          |                |

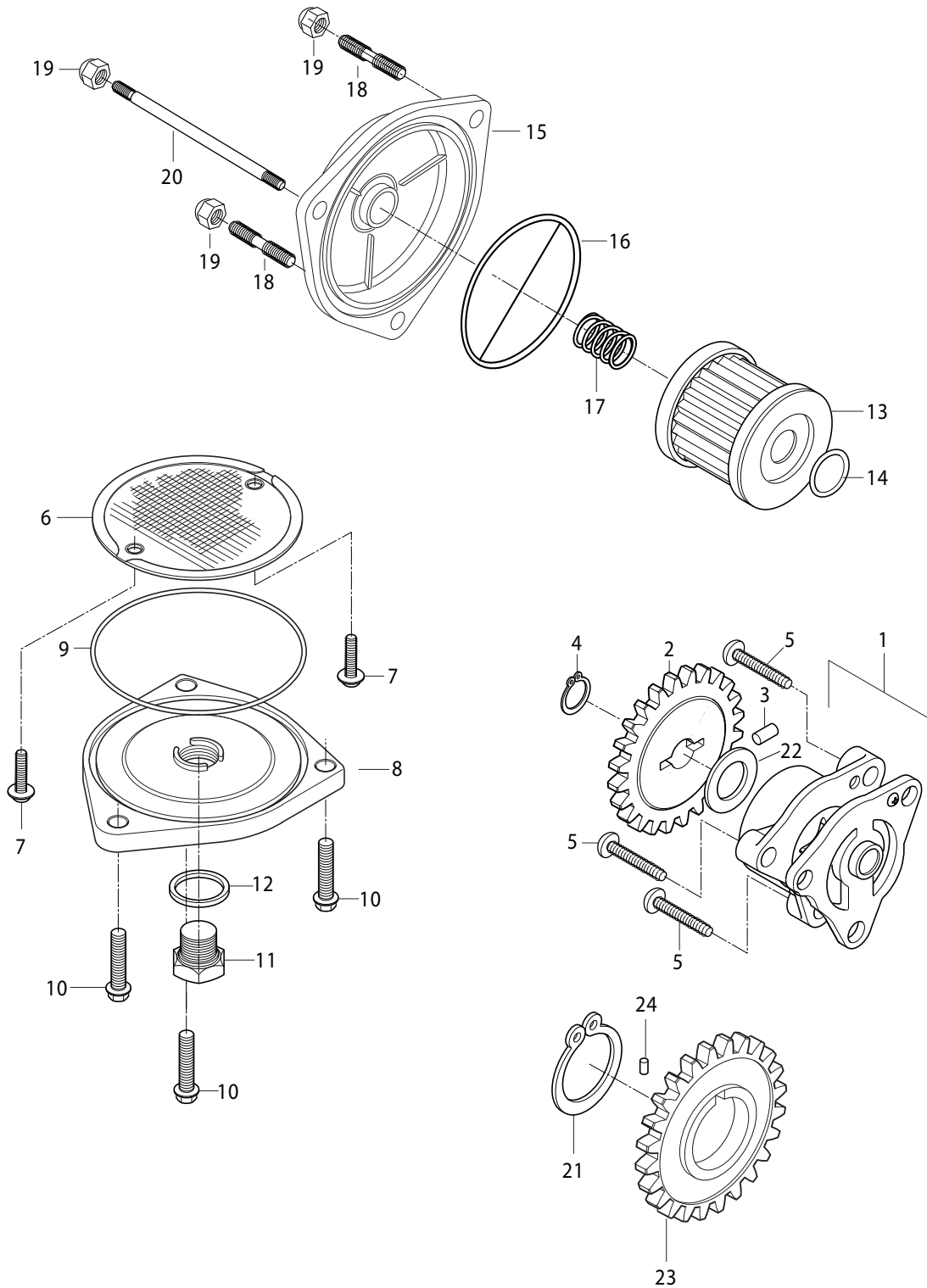
FIG 13



# FIG 13. MUFFLER

| REF.<br>NO. | GT650R - FI (2008)   |                |                | GT650RN - EI (2009)  |                |                |                | PART NAME                         | Q'TY | REMARKS | REC.Q'TY<br>(PCS) |
|-------------|----------------------|----------------|----------------|----------------------|----------------|----------------|----------------|-----------------------------------|------|---------|-------------------|
|             | 7EU01/7G01/7S01/7F01 | 7US02          | 8US01          | 9EU01/9G01/9S01/9F01 | BRAZIL         | 9AT02          | 9US02          |                                   |      |         |                   |
| 0           | 14305HP9300PLH       | 14305HR9700PLH | 14305HR9700PLH | 14305H89300PLH       | 14305H89300PLH | 14305H89300PLH | 14305HR9700PLH | MUFFLER, ASS'Y                    | 1    |         | 5                 |
| 1           | 14310HP9300          | 14310HN9105    | 14310HN9105    | 14310H89300          | 14310H89300    | 14310H89300    | 14310HN9105    | BODY COMP, muffler                | 1    |         | 5                 |
| 2           | 14160HN91020BF       | 14160HN91020BF | 14160HN91020BF | 14160HN91020BF       | 14160HN91020BF | 14160HN91030BF | 14160HN91020BF | PIPE COMP, exhaust front          | 1    |         | 5                 |
| 3           | 14150HN91020BF       | 14150HN91020BF | 14150HN91020BF | 14150HN91020BF       | 14150HN91020BF | 14150HN91030BF | 14150HN91020BF | PIPE COMP, exhaust rear           | 1    |         | 5                 |
| 4           | 14411HN91040BF       | 14411HN91040BF | 14411HN91040BF | 14411HN91040BF       | 14411HN91040BF | 14411HN91040BF | 14411HN91040BF | BRACKET, muffler support          | 1    |         | 5                 |
| 5           | 14170HP93010BF       | 14170HP93010BF | 14170HP93010BF | 14170H893000BF       | 14170H893000BF | 14170H893000BF | 14170HP93010BF | PIPE COMP, muffler joint          | 1    |         | 5                 |
| 6           | 14770HN91010BF       | 14770HN91010BF | 14770HN91010BF | 14770HN91010BF       | 14770HN91010BF | 14770HN91010BF | 14770HN91010BF | CONNECTOR COMP, exhaust pipe      | 1    |         | 5                 |
| 7           | 14314HN9101          | 14314HN9101    | 14314HN9101    | 14314HN9101          | 14314HN9101    | 14314HN9101    | 14314HN9101    | GASKET, connector flange          | 1    |         | 5                 |
| 8           | 14773HN9101          | 14773HN9101    | 14773HN9101    | 14773HN9101          | 14773HN9101    | 14773HN9101    | 14773HN9101    | GASKET, connector exhaust pipe    | 2    |         | 10                |
| 9           | 01517-08358          | 01517-08358    | 01517-08358    | 01517-08358          | 01517-08358    | 01517-08358    | 01517-08358    | BOLT, exhaust pipe connector comp | 1    |         | 5                 |
| 10          | 01421-08258          | 01421-08258    | 01421-08258    | 01421-08258          | 01421-08258    | 01421-08258    | 01421-08258    | BOLT, exhaust pipe stud           | 2    |         | 10                |
| 11          | 09143H08001          | 09143H08001    | 09143H08001    | 09143H08001          | 09143H08001    | 09143H08001    | 09143H08001    | NUT, exhaust pipe                 | 2    |         |                   |
| 12          | 01517-10458          | 01517-10458    | 01517-10458    | 01517-10458          | 01517-10458    | 01517-10458    | 01517-10458    | BOLT, muffler support             | 4    |         |                   |
| 13          | 09160-10102          | 09160-10102    | 09160-10102    | 09160-10102          | 09160-10102    | 09160-10102    | 09160-10102    | WASHER, muffler support           | 4    |         | 20                |
| 14          | 08316-26108          | 08316-26108    | 08316-26108    | 08316-26108          | 08316-26108    | 08316-26108    | 08316-26108    | NUT, muffler support              | 1    |         | 25                |
| 15          | 07120-08207          | 07120-08207    | 07120-08207    | 07120-08207          | 07120-08207    | 07120-08207    | 07120-08207    | BOLT, connector flange            | 3    |         | 15                |
| 16          | 01137-08168          | 01137-08168    | 01137-08168    | 01137-08168          | 01137-08168    | 01137-08168    | 01137-08168    | BOLT, muffler chamber bracket     | 1    |         | 5                 |
| 17          | 14181HN9101          | 14181HN9101    | 14181HN9101    | 14181HN9101          | 14181HN9101    | 14181HN9101    | 14181HN9101    | GASKET, exhaust                   | 3    |         | 15                |
| 18          | 14186HN91000BF       | 14186HN91000BF | 14186HN91000BF | 14186HN91000BF       | 14186HN91000BF | 14186HN91000BF | 14186HN91000BF | COVER COMP, muffler               | 1    |         | 10                |
| 19          | 09110-06308          | 09110-06308    | 09110-06308    | 09110-06308          | 09110-06308    | 09110-06308    | 09110-06308    | BOLT, exhaust pipe cover          | 2    |         | 5                 |
| 20          | 14776HN9100          | 14776HN9100    | 14776HN9100    | 14776HN9100          | 14776HN9100    | 14776HN9100    | 14776HN9100    | CLAMP OUTER, muffler cover No.1   | 1    |         | 5                 |
| 21          | 14778HN9100          | 14778HN9100    | 14778HN9100    | 14778HN9100          | 14778HN9100    | 14778HN9100    | 14778HN9100    | CLAMP OUTER, muffler cover No.2   | 1    |         | 5                 |
| 22          | 37950HP9300          | 37950HP9300    | 37950HP9300    | 37950HP9300          | 37950HP9300    | 37950HP9300    | 37950HP9300    | SENSOR ASS'Y, oxygen              | 1    |         | 10                |

FIG 14

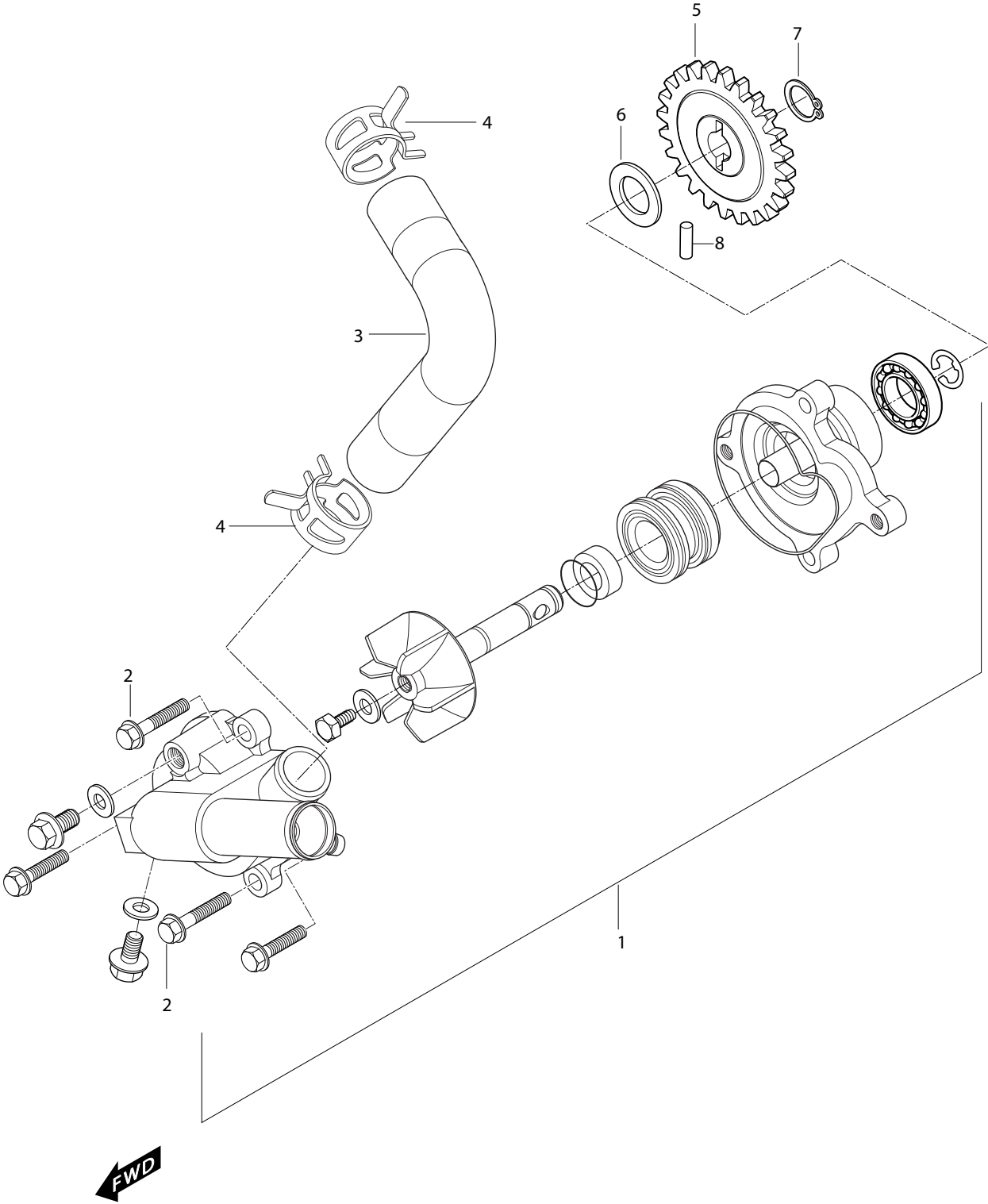




# FIG 14. OIL PUMP

| REF.<br>NO. | GT650R - FI (2008)   |                |                | GT650RN - EI (2009)  |                |                |                | PART NAME                     | Q'TY | REMARKS | REC.Q'TY<br>(PCS) |
|-------------|----------------------|----------------|----------------|----------------------|----------------|----------------|----------------|-------------------------------|------|---------|-------------------|
|             | 7EU01/7G01/7S01/7F01 | 7US02          | 8US01          | 9EU01/9G01/9S01/9F01 | BRAZIL         | 9AT02          | 9US02          |                               |      |         |                   |
| 1           | 16400HN9101          | 16400HN9101    | 16400HN9101    | 16400HN9101          | 16400HN9101    | 16400HN9101    | 16400HN9101    | PUMP ASS`Y, oil               | 1    |         | 5                 |
| 2           | 16331HN9101          | 16331HN9101    | 16331HN9101    | 16331HN9101          | 16331HN9101    | 16331HN9101    | 16331HN9101    | GEAR, oil pump driven         | 1    |         | 5                 |
| 3           | 09261H04001          | 09261H04001    | 09261H04001    | 09261H04001          | 09261H04001    | 09261H04001    | 09261H04001    | PIN, oil pump driven gear     | 1    |         | 5                 |
| 4           | 08331-31109          | 08331-31109    | 08331-31109    | 08331-31109          | 08331-31109    | 08331-31109    | 08331-31109    | CIRCLIP, oil pump driven gear | 1    |         | 5                 |
| 5           | 02112-06258          | 02112-06258    | 02112-06258    | 02112-06258          | 02112-06258    | 02112-06258    | 02112-06258    | SCREW, oil pump               | 3    |         | 15                |
| 6           | 16520HN9100          | 16520HN9100    | 16520HN9100    | 16520HN9100          | 16520HN9100    | 16520HN9100    | 16520HN9100    | STRAINER COMP, engine oil     | 1    |         | 5                 |
| 7           | 02112-95126          | 02112-95126    | 02112-95126    | 02112-95126          | 02112-95126    | 02112-95126    | 02112-95126    | SCREW, engine oil strainer    | 2    |         |                   |
| 8           | 16523HN9100          | 16523HN9100    | 16523HN9100    | 16523HN9100          | 16523HN9100    | 16523HN9100    | 16523HN9100    | CAP, oil strainer             | 1    |         | 5                 |
| 9           | 09280H82001          | 09280H82001    | 09280H82001    | 09280H82001          | 09280H82001    | 09280H82001    | 09280H82001    | O-RING, oil strainer cap      | 1    |         | 5                 |
| 10          | 01547-06208          | 01547-06208    | 01547-06208    | 01547-06208          | 01547-06208    | 01547-06208    | 01547-06208    | BOLT, oil strainer cap        | 3    |         | 35                |
| 11~1        | 09247-14019          | 09247-14019    | 09247-14019    | 09247-14019          | 09247-14019    | 09247-14019    | 09247-14019    | PLUG, oil drain               | 1    |         | 5                 |
| 12          | 09168H14003          | 09168H14003    | 09168H14003    | 09168H14003          | 09168H14003    | 09168H14003    | 09168H14003    | GASKET, drain plug            | 1    |         | 10                |
| 13          | 16510HN9101          | 16510HN9101    | 16510HN9101    | 16510HN9101          | 16510HN9101    | 16510HN9101    | 16510HN9101    | FILTER COMP, engine oil       | 1    |         | 5                 |
| 14          | 09280H16001          | 09280H16001    | 09280H16001    | 09280H16001          | 09280H16001    | 09280H16001    | 09280H16001    | O-RING, oil filter            | 1    |         | 5                 |
| 15          | 16512HN91010S1       | 16512HN91010S1 | 16512HN91010S1 | 16512HN91010S1       | 16512HN91010S1 | 16512HN9101121 | 16512HN9101121 | CAP, oil filter               | 1    |         | 5                 |
| 16          | 09280H69001          | 09280H69001    | 09280H69001    | 09280H69001          | 09280H69001    | 09280H69001    | 09280H69001    | O-RING, oil filter cap        | 1    |         | 5                 |
| 17          | 09440H18001          | 09440H18001    | 09440H18001    | 09440H18001          | 09440H18001    | 09440H18001    | 09440H18001    | SPRING, oil filter cap        | 1    |         | 5                 |
| 18          | 01421-06128          | 01421-06128    | 01421-06128    | 01421-06128          | 01421-06128    | 01421-06128    | 01421-06128    | BOLT, oil filter cap stud     | 2    |         | 10                |
| 19          | 08313-11068          | 08313-11068    | 08313-11068    | 08313-11068          | 08313-11068    | 08313-11068    | 08313-11068    | NUT, oil filter cap           | 3    |         | 15                |
| 20          | 01421-06758          | 01421-06758    | 01421-06758    | 01421-06758          | 01421-06758    | 01421-06758    | 01421-06758    | BOLT, oil filter cap stud     | 1    |         | 5                 |
| 21          | 08331-31389          | 08331-31389    | 08331-31389    | 08331-31389          | 08331-31389    | 08331-31389    | 08331-31389    | CIRCLIP, oil pump drive gear  | 1    |         | 10                |
| 22          | 08221-10185          | 08221-10185    | 08221-10185    | 08221-10185          | 08221-10185    | 08221-10185    | 08221-10185    | SHIM, oil pump driven gear    | 1    |         | 10                |
| 23          | 16321HN9103          | 16321HN9103    | 16321HN9103    | 16321HN9103          | 16321HN9103    | 16321HN9103    | 16321HN9103    | GEAR, oil pump drive          | 1    |         | 5                 |
| 24          | 09261H06001          | 09261H06001    | 09261H06001    | 09261H06001          | 09261H06001    | 09261H06001    | 09261H06001    | PIN, oil pump drive gear      | 1    |         | 5                 |

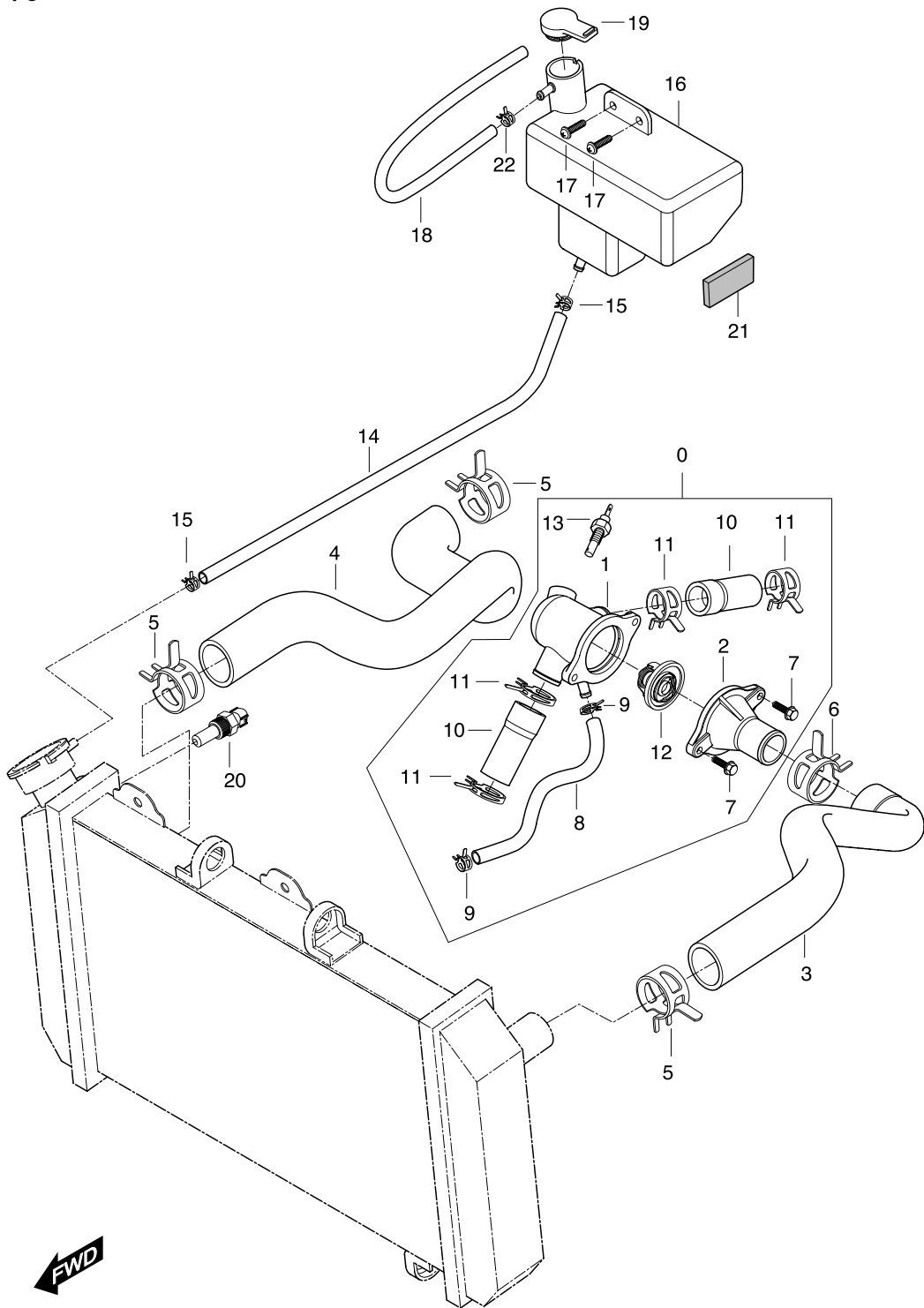
FIG.15



## FIG 15. WATER PUMP

| REF.<br>NO. | GT650R - FI (2008)   |             |             | GT650RN - EI (2009)  |             |             |             | PART NAME                       | Q'TY | REMARKS | REC.Q'TY<br>(PCS) |
|-------------|----------------------|-------------|-------------|----------------------|-------------|-------------|-------------|---------------------------------|------|---------|-------------------|
|             | 7EU01/7G01/7S01/7F01 | 7US02       | 8US01       | 9EU01/9G01/9S01/9F01 | BRAZIL      | 9AT02       | 9US02       |                                 |      |         |                   |
| 1           | 17400HN9102          | 17400HN9102 | 17400HN9102 | 17400HN9102          | 17400HN9102 | 17400HN9102 | 17400HN9102 | PUMP ASS'Y, water               | 1    |         | 5                 |
| 1-1         | 17410HN9100          | 17410HN9100 | 17410HN9100 | 17410HN9100          | 17410HN9100 | 17410HN9100 | 17410HN9100 | CASE COMP,WATER PUMP            |      |         |                   |
| 1-2         | 17433HN9100          | 17433HN9100 | 17433HN9100 | 17433HN9100          | 17433HN9100 | 17433HN9100 | 17433HN9100 | O-RING,WATER PUMP               |      |         |                   |
| 2           | 01547-06308          | 01547-06308 | 01547-06308 | 01547-06308          | 01547-06308 | 01547-06308 | 01547-06308 | BOLT, water pump                | 2    |         | 30                |
| 3           | 17491HN9100          | 17491HN9100 | 17491HN9100 | 17491HN9100          | 17491HN9100 | 17491HN9100 | 17491HN9100 | HOSE, water pump outlet         | 1    |         | 5                 |
| 4           | 09401H26402          | 09401H26402 | 09401H26402 | 09401H26402          | 09401H26402 | 09401H26402 | 09401H26402 | CLAMP, water pump hose          | 2    |         | 20                |
| 5           | 17521HN9105          | 17521HN9105 | 17521HN9105 | 17521HN9105          | 17521HN9105 | 17521HN9105 | 17521HN9105 | GEAR, water pump driven         | 1    |         | 5                 |
| 6           | 08221-10185          | 08221-10185 | 08221-10185 | 08221-10185          | 08221-10185 | 08221-10185 | 08221-10185 | SHIM, water pump driven gear    | 1    |         | 10                |
| 7           | 08331-31109          | 08331-31109 | 08331-31109 | 08331-31109          | 08331-31109 | 08331-31109 | 08331-31109 | CIRCLIP, water pump driven gear | 1    |         | 10                |
| 8           | 09261H04001          | 09261H04001 | 09261H04001 | 09261H04001          | 09261H04001 | 09261H04001 | 09261H04001 | PIN, water pump driven gear     | 1    |         | 10                |

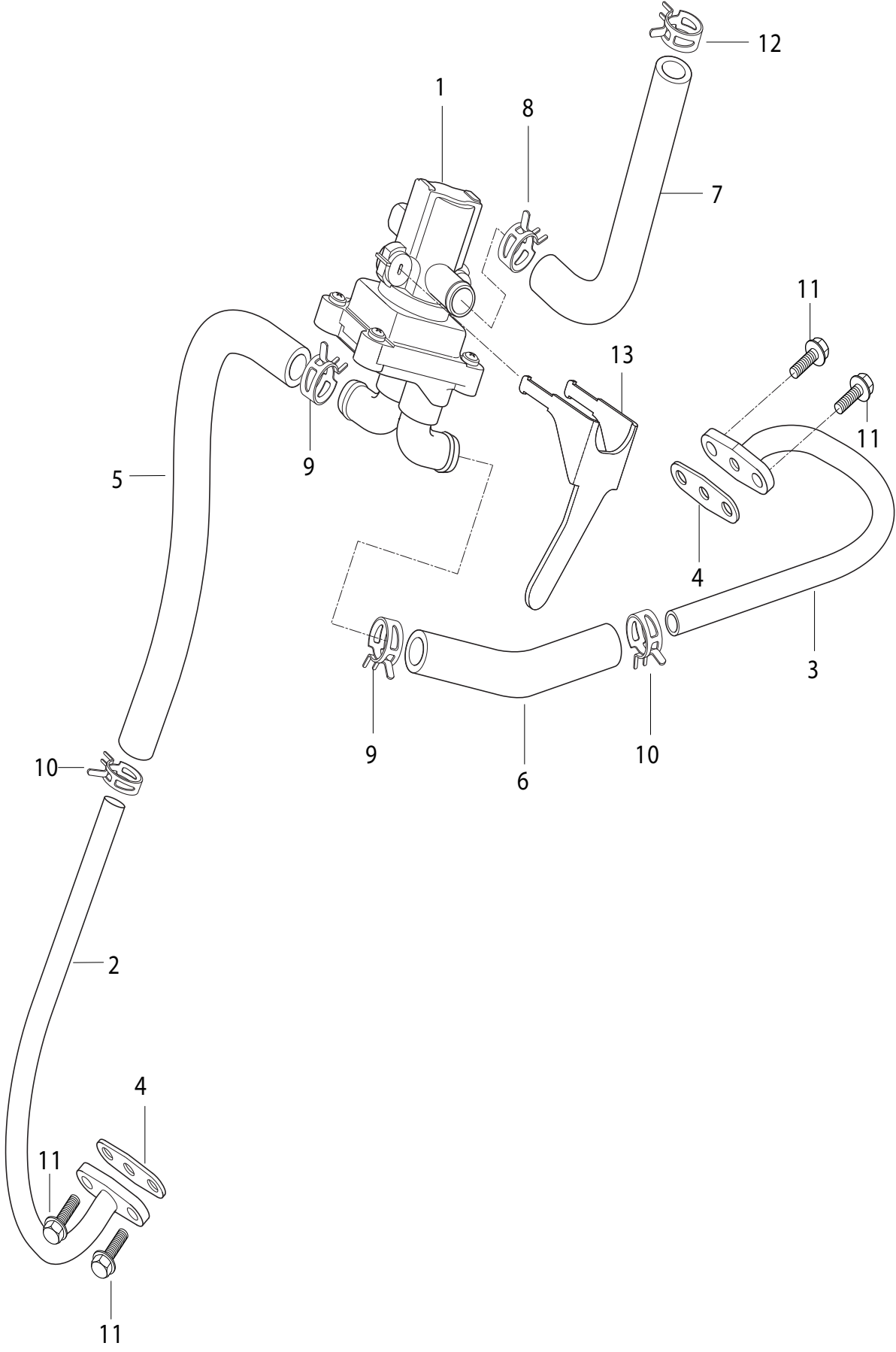
FIG 16



# FIG 16. RADIATOR HOSE

| REF.<br>NO. | GT650R - FI (2008)   |                |                | GT650RN - EI (2009)  |                |                |                | PART NAME                                  | Q'TY | REMARKS | REC.Q'TY<br>(PCS) |
|-------------|----------------------|----------------|----------------|----------------------|----------------|----------------|----------------|--|------|---------|-------------------|
|             | 7EU01/7G01/7S01/7F01 | 7US02          | 8US01          | 9EU01/9G01/9S01/9F01 | BRAZIL         | 9AT02          | 9US02          |  |      |         |                   |
| 0           | 17610HP9300HPA       | 17610HP9300HPA | 17610HP9300HPA | 17610HP9300HPA       | 17610HP9300HPA | 17610HP9310HPA | 17610HP9300HPA | THERMOSTAT COMP                            | 1    |         | 5                 |
| 1           | 17621HP93000S1       | 17621HP93000S1 | 17621HP93000S1 | 17621HP93000S1       | 17621HP93000S1 | 17621HP93000S1 | 17621HP93000S1 | CONNECTOR COMP, thermostat inlet           | 1    |         | 5                 |
| 2           | 17631HN91000S1       | 17631HN91000S1 | 17631HN91000S1 | 17631HN91000S1       | 17631HN91000S1 | 17631HN91000S1 | 17631HN91000S1 | CAP, thermostat connector                  | 1    |         |                   |
| 3           | 17741HN9101          | 17741HN9101    | 17741HN9101    | 17741HN9101          | 17741HN9101    | 17741HN9101    | 17741HN9101    | HOSE, radiator inlet                       | 1    |         | 5                 |
| 4           | 17751HN9101          | 17751HN9101    | 17751HN9101    | 17751HN9101          | 17751HN9101    | 17751HN9101    | 17751HN9101    | HOSE, radiator outlet                      | 1    |         | 5                 |
| 5           | 09401H26402          | 09401H26402    | 09401H26402    | 09401H26402          | 09401H26402    | 09401H26402    | 09401H26402    | CLAMP, radiator inlet hose radiator side   | 3    |         | 20                |
| 6           | 09401H31402          | 09401H31402    | 09401H31402    | 09401H31402          | 09401H31402    | 09401H31402    | 09401H31402    | CLAMP, radiator inlet hose thermostat side | 1    |         | 5                 |
| 7           | 01547-06208          | 01547-06208    | 01547-06208    | 01547-06208          | 01547-06208    | 01547-06208    | 01547-06208    | BOLT, thermostat connector                 | 2    |         | 20                |
| 8           | 17641HN9100          | 17641HN9100    | 17641HN9100    | 17641HN9100          | 17641HN9100    | 17641HN9100    | 17641HN9100    | HOSE, thermostat bypass                    | 1    |         | 5                 |
| 9           | 09401H13401          | 09401H13401    | 09401H13401    | 09401H13401          | 09401H13401    | 09401H13401    | 09401H13401    | CLAMP, thermostat bypass hose              | 2    |         | 10                |
| 10          | 17661HN9100          | 17661HN9100    | 17661HN9100    | 17661HN9100          | 17661HN9100    | 17661HN9100    | 17661HN9100    | HOSE, connector inlet                      | 2    |         | 10                |
| 11          | 09401H24402          | 09401H24402    | 09401H24402    | 09401H24402          | 09401H24402    | 09401H24402    | 09401H24402    | CLAMP, connector inlet hose                | 4    |         | 10                |
| 12          | 17610HN9100          | 17610HN9100    | 17610HN9100    | 17610HN9100          | 17610HN9100    | 17610HN9100    | 17610HN9100    | THERMOSTAT COMP                            | 1    |         | 5                 |
| 13          | 17650HP9300          | 17650HP9300    | 17650HP9300    | 17650HP9300          | 17650HP9300    | 17650HP9300    | 17650HP9300    | GAUGE UNIT, water temperature              | 1    |         | 5                 |
| 14          | 17981HN9100          | 17981HN9100    | 17981HN9100    | 17981HN9100          | 17981HN9100    | 17981HN9100    | 17981HN9100    | HOSE, reserver tank inlet                  | 1    |         | 5                 |
| 15          | 09401H11403          | 09401H11403    | 09401H11403    | 09401H11403          | 09401H11403    | 09401H11403    | 09401H11403    | CLAMP, reserver tank                       | 2    |         | 10                |
| 16          | 17911HN9104          | 17911HN9104    | 17911HN9104    | 17911HN9104          | 17911HN9104    | 17911HN9104    | 17911HN9104    | TANK COMP, reserver                        | 1    |         | 5                 |
| 17          | 09136-06017          | 09136-06017    | 09136-06017    | 09136-06017          | 09136-06017    | 09136-06017    | 09136-06017    | SCREW, reserver tank                       | 2    |         | 15                |
| 18          | 17982HN9100          | 17982HN9100    | 17982HN9100    | 17982HN9100          | 17982HN9100    | 17982HN9100    | 17982HN9100    | HOSE, reserver tank overflow               | 1    |         | 5                 |
| 19          | 17921HN9100          | 17921HN9100    | 17921HN9100    | 17921HN9100          | 17921HN9100    | 17921HN9100    | 17921HN9100    | CAP, reserver tank                         | 1    |         | 5                 |
| 20          | 17860HN9100          | 17860HN9100    | 17860HN9100    | 17860HN9100          | 17860HN9100    | 17860HN9100    | 17860HN9100    | SWITCH ASS'Y, thermo                       | 1    |         | 5                 |
| 21          | 17912HN9100          | 17912HN9100    | 17912HN9100    | 17912HN9100          | 17912HN9100    | 17912HN9100    | 17912HN9100    | CUSHION, reserver tank                     | 1    |         | 5                 |
| 22          | 09401-09101          | 09401-09101    | 09401-09101    | 09401-09101          | 09401-09101    | 09401-09101    | 09401-09101    | CLAMP, reserver tank overflow              | 1    |         | 5                 |

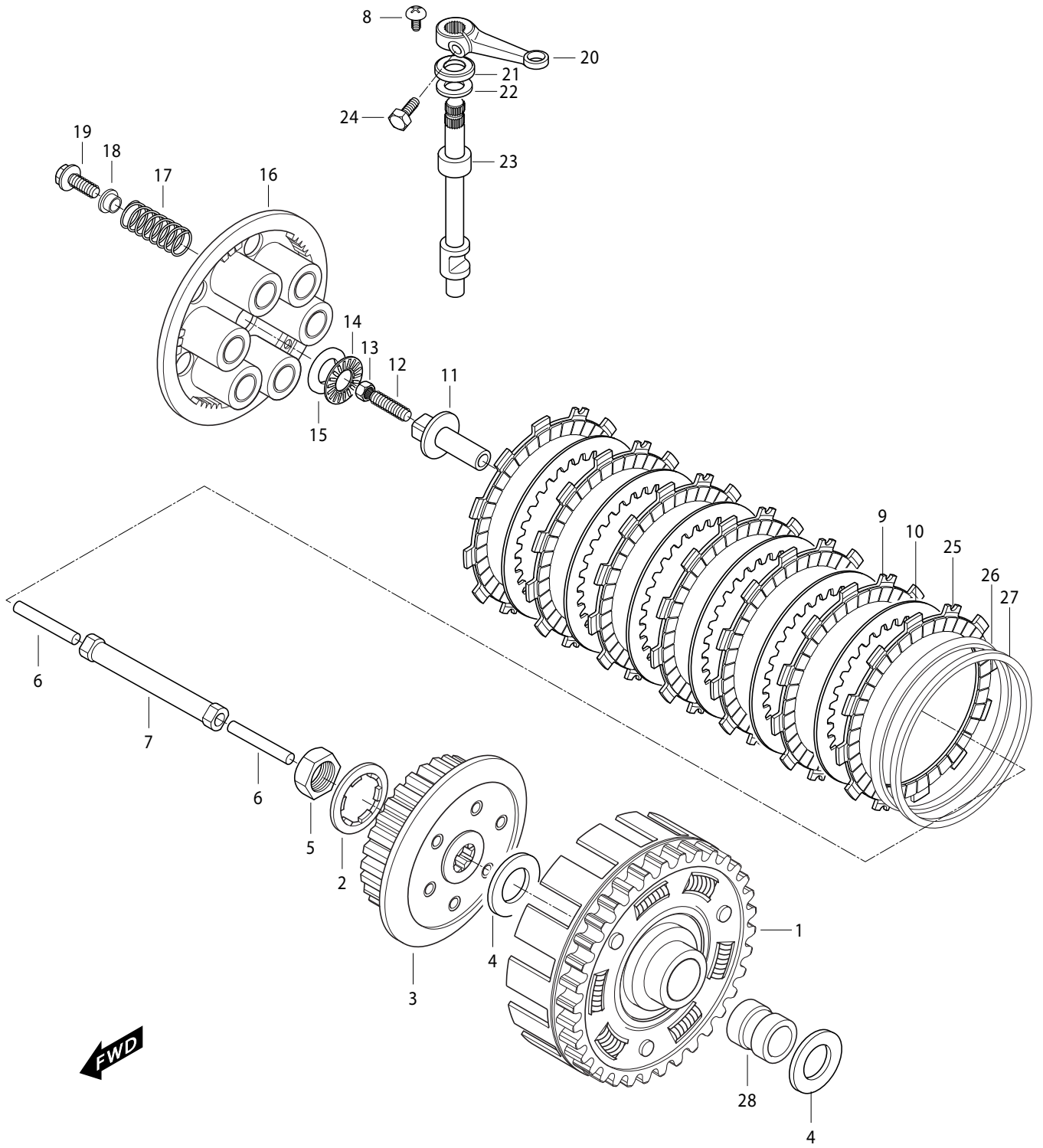
FIG.17



## FIG 17. 2ND AIR

| REF. NO. | GT650R - FI (2008)   |             |             | GT650RN - EI (2009)  |             |             |             | PART NAME                   | Q'TY | REMARKS | REC.Q'TY (PCS) |
|----------|----------------------|-------------|-------------|----------------------|-------------|-------------|-------------|-----------------------------|------|---------|----------------|
|          | 7EU01/7G01/7S01/7F01 | 7US02       | 8US01       | 9EU01/9G01/9S01/9F01 | BRAZIL      | 9AT02       | 9US02       |                             |      |         |                |
| 1        | 18500HP9300          | 18500HP9300 | 18500HP9300 | 18500H99700          | 18500H99700 | 18500H99700 | 18500H99700 | VALVE ASS'Y, 2ND air        | 1    |         | 5              |
| 2        | 18610HN9101          | 18610HN9101 | 18610HN9101 | 18610HN9101          | 18610HN9101 | 18610HN9101 | 18610HN9101 | PIPE COMP, 2ND air front    | 1    |         | 5              |
| 3        | 18620HN9101          | 18620HN9101 | 18620HN9101 | 18620HN9101          | 18620HN9101 | 18620HN9101 | 18620HN9101 | PIPE COMP, 2ND air rear     | 1    |         | 5              |
| 4        | 18615HN9101          | 18615HN9101 | 18615HN9101 | 18615HN9101          | 18615HN9101 | 18615HN9101 | 18615HN9101 | GASKET, 2ND air pipe        | 2    |         | 10             |
| 5        | 18631HP9300          | 18631HP9300 | 18631HP9300 | 18631HP9300          | 18631HP9300 | 18631HP9300 | 18631HP9300 | HOSE, 2ND air pipe front    | 1    |         | 5              |
| 6        | 18641HP9300          | 18641HP9300 | 18641HP9300 | 18641HP9300          | 18641HP9300 | 18641HP9300 | 18641HP9300 | HOSE, 2ND air pipe rear     | 1    |         | 5              |
| 7        | 18651HP9300          | 18651HP9300 | 18651HP9300 | 18651HP9300          | 18651HP9300 | 18651HP9300 | 18651HP9300 | HOSE, 2ND air cleaner       | 1    |         | 5              |
| 8        | 09401H16401          | 09401H16401 | 09401H16401 | 09401H16401          | 09401H16401 | 09401H16401 | 09401H16401 | CLAMP, 2ND air cleaner hose | 1    |         | 5              |
| 9        | 09401H16401          | 09401H16401 | 09401H16401 | 09401H16401          | 09401H16401 | 09401H16401 | 09401H16401 | CLAMP, 2ND air pipe hose    | 2    |         | 10             |
| 10       | 09401H15401          | 09401H15401 | 09401H15401 | 09401H15401          | 09401H15401 | 09401H15401 | 09401H15401 | CLAMP, 2ND air pipe         | 2    |         | 10             |
| 11       | 09128-06005          | 09128-06005 | 09128-06005 | 09128-06005          | 09128-06005 | 09128-06005 | 09128-06005 | BOLT, 2ND air pipe          | 4    |         | 10             |
| 12       | 09401H12401          | 09401H12401 | 09401H12401 | 09401H12401          | 09401H12401 | 09401H12401 | 09401H12401 | CLAMP, 2ND air cleaner      | 1    |         | 10             |
| 13       | 18590HP9300          | 18590HP9300 | 18590HP9300 | 18590HP9300          | 18590HP9300 | 18590HP9300 | 18590HP9300 | BRACKET, 2ND air valve      | 1    |         | 3              |

FIG 18

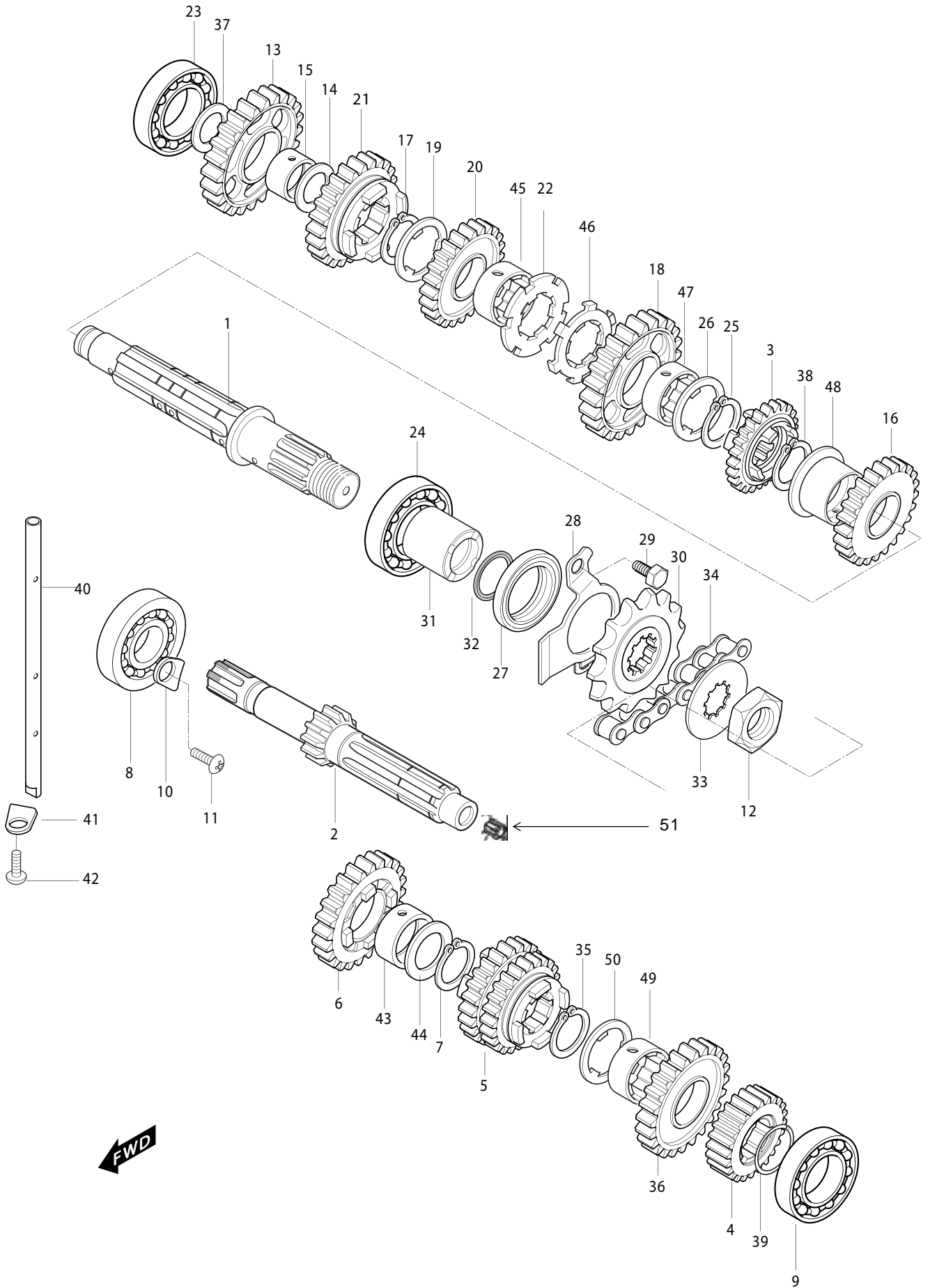




# FIG 18. CLUTCH ASSY

| REF.<br>NO. | GT650R - FI (2008)   |                |                | GT650RN - EI (2009)  |                |                |                | PART NAME                                 | Q'TY | REMARKS | REC.Q'TY<br>(PCS) |
|-------------|----------------------|----------------|----------------|----------------------|----------------|----------------|----------------|---|------|---------|-------------------|
|             | 7EU01/7G01/7S01/7F01 | 7US02          | 8US01          | 9EU01/9G01/9S01/9F01 | BRAZIL         | 9AT02          | 9US02          |   |      |         |                   |
| 1           | 21210HN9101HPA       | 21210HN9101HPA | 21210HN9101HPA | 21210HN9101HPA       | 21210HN9101HPA | 21210HN9101HPA | 21210HN9101HPA | GEAR COMP, primary driven                 | 1    |         | 5                 |
| 2           | 09167H20001          | 09167H20001    | 09167H20001    | 09167H20001          | 09167H20001    | 09167H20001    | 09167H20001    | WASHER, clutch sleeve hub thrust          | 1    |         | 5                 |
| 3           | 21411HN9102          | 21411HN9102    | 21411HN9102    | 21411HN9102          | 21411HN9102    | 21411HN9102    | 21411HN9102    | HUB, clutch sleeve                        | 1    |         | 5                 |
| 4           | 09160H20003          | 09160H20003    | 09160H20003    | 09160H20003          | 09160H20003    | 09160H20003    | 09160H20003    | WASHER, primary driven gear thrust        | 1    |         | 10                |
| 5           | 09140H20001          | 09140H20001    | 09140H20001    | 09140H20001          | 09140H20001    | 09140H20001    | 09140H20001    | NUT, clutch sleeve hub                    | 1    |         | 5                 |
| 6           | 23114HN9100          | 23114HN9100    | 23114HN9100    | 23114HN9100          | 23114HN9100    | 23114HN9100    | 23114HN9100    | ROD, clutch push                          | 1    |         | 5                 |
| 6-1         | 23115HN9100          | 23115HN9100    | 23115HN9100    | 23115HN9100          | 23115HN9100    | 23115HN9100    | 23115HN9100    | ROD,CLUTCH PUSH NO.2                      | 1    |         | 5                 |
| 7           | 23110HN9102          | 23110HN9102    | 23110HN9102    | 23110HN9102          | 23110HN9102    | 23110HN9102    | 23110HN9102    | ROD COMP, clutch push M                   | 1    |         | 5                 |
| 8           | 09136-06017          | 09136-06017    | 09136-06017    | 09136-06017          | 09136-06017    | 09136-06017    | 09136-06017    | STOPPER, clutch release camshaft oil seal | 1    |         | 15                |
| 9           | 21441HN9100          | 21441HN9100    | 21441HN9100    | 21441HN9100          | 21441HN9100    | 21441HN9100    | 21441HN9100    | PLATE, clutch drive                       | 6    |         | 30                |
| 10          | 21451HN9100          | 21451HN9100    | 21451HN9100    | 21451HN9100          | 21451HN9100    | 21451HN9100    | 21451HN9100    | PLATE, clutch driven                      | 6    |         | 30                |
| 11          | 23121-38201          | 23121-38201    | 23121-38201    | 23121-38201          | 23121-38201    | 23121-38201    | 23121-38201    | PIECE, clutch push                        | 1    |         | 5                 |
| 12          | 09134-06010          | 09134-06010    | 09134-06010    | 09134-06010          | 09134-06010    | 09134-06010    | 09134-06010    | SCREW, clutch release adjuster            | 1    |         | 5                 |
| 13          | 08310-22068          | 08310-22068    | 08310-22068    | 08310-22068          | 08310-22068    | 08310-22068    | 08310-22068    | NUT, clutch release adjust                | 1    |         | 5                 |
| 14          | 09263H15001          | 09263H15001    | 09263H15001    | 09263H15001          | 09263H15001    | 09263H15001    | 09263H15001    | BEARING, clutch release thrust            | 1    |         | 5                 |
| 15          | 09160-15015          | 09160-15015    | 09160-15015    | 09160-15015          | 09160-15015    | 09160-15015    | 09160-15015    | WASHER, clutch release thrust             | 1    |         | 5                 |
| 16          | 21462HN9101          | 21462HN9101    | 21462HN9101    | 21462HN9101          | 21462HN9101    | 21462HN9101    | 21462HN9101    | DISK, clutch pressure                     | 1    |         | 5                 |
| 17          | 09440H20003          | 09440H20003    | 09440H20003    | 09440H20003          | 09440H20003    | 09440H20003    | 09440H20003    | SPRING, clutch                            | 6    |         | 30                |
| 18          | 21471HN9102          | 21471HN9102    | 21471HN9102    | 21471HN9102          | 21471HN9102    | 21471HN9102    | 21471HN9102    | RETAINER, clutch spring                   | 6    |         | 30                |
| 19          | 09100H06009          | 09100H06009    | 09100H06009    | 09100H06009          | 09100H06009    | 09100H06009    | 09100H06009    | BOLT, clutch spring                       | 6    |         | 30                |
| 20          | 23271HN9100          | 23271HN9100    | 23271HN9100    | 23271HN9100          | 23271HN9100    | 23271HN9100    | 23271HN9100    | ARM, clutch release                       | 1    |         | 5                 |
| 21          | 09282H12002          | 09282H12002    | 09282H12002    | 09282H12002          | 09282H12002    | 09282H12002    | 09282H12002    | OIL SEAL, clutch release camshaft         | 1    |         | 5                 |
| 22          | 08211-12281          | 08211-12281    | 08211-12281    | 08211-12281          | 08211-12281    | 08211-12281    | 08211-12281    | THRUST WASHER, clutch release cam shaft   | 1    |         | 5                 |
| 23          | 23122HN9100          | 23122HN9100    | 23122HN9100    | 23122HN9100          | 23122HN9100    | 23122HN9100    | 23122HN9100    | SHAFT, clutch release cam                 | 1    |         | 5                 |
| 24          | 01107-06208          | 01107-06208    | 01107-06208    | 01107-06208          | 01107-06208    | 01107-06208    | 01107-06208    | BOLT, clutch release arm                  | 1    |         | 5                 |
| 25          | 21442HN9100          | 21442HN9100    | 21442HN9100    | 21442HN9100          | 21442HN9100    | 21442HN9100    | 21442HN9100    | PLATE, clutch drive No.2                  | 1    |         | 5                 |
| 26          | 21443HN9100          | 21443HN9100    | 21443HN9100    | 21443HN9100          | 21443HN9100    | 21443HN9100    | 21443HN9100    | WASHER, clutch wave                       | 1    |         | 5                 |
| 27          | 21444HN9101          | 21444HN9101    | 21444HN9101    | 21444HN9101          | 21444HN9101    | 21444HN9101    | 21444HN9101    | SEAT, clutch wave washer                  | 1    |         | 5                 |
| 28          | 21251HN9102          | 21251HN9102    | 21251HN9102    | 21251HN9102          | 21251HN9102    | 21251HN9102    | 21251HN9102    | SPACER, primary driven gear               | 1    |         | 5                 |

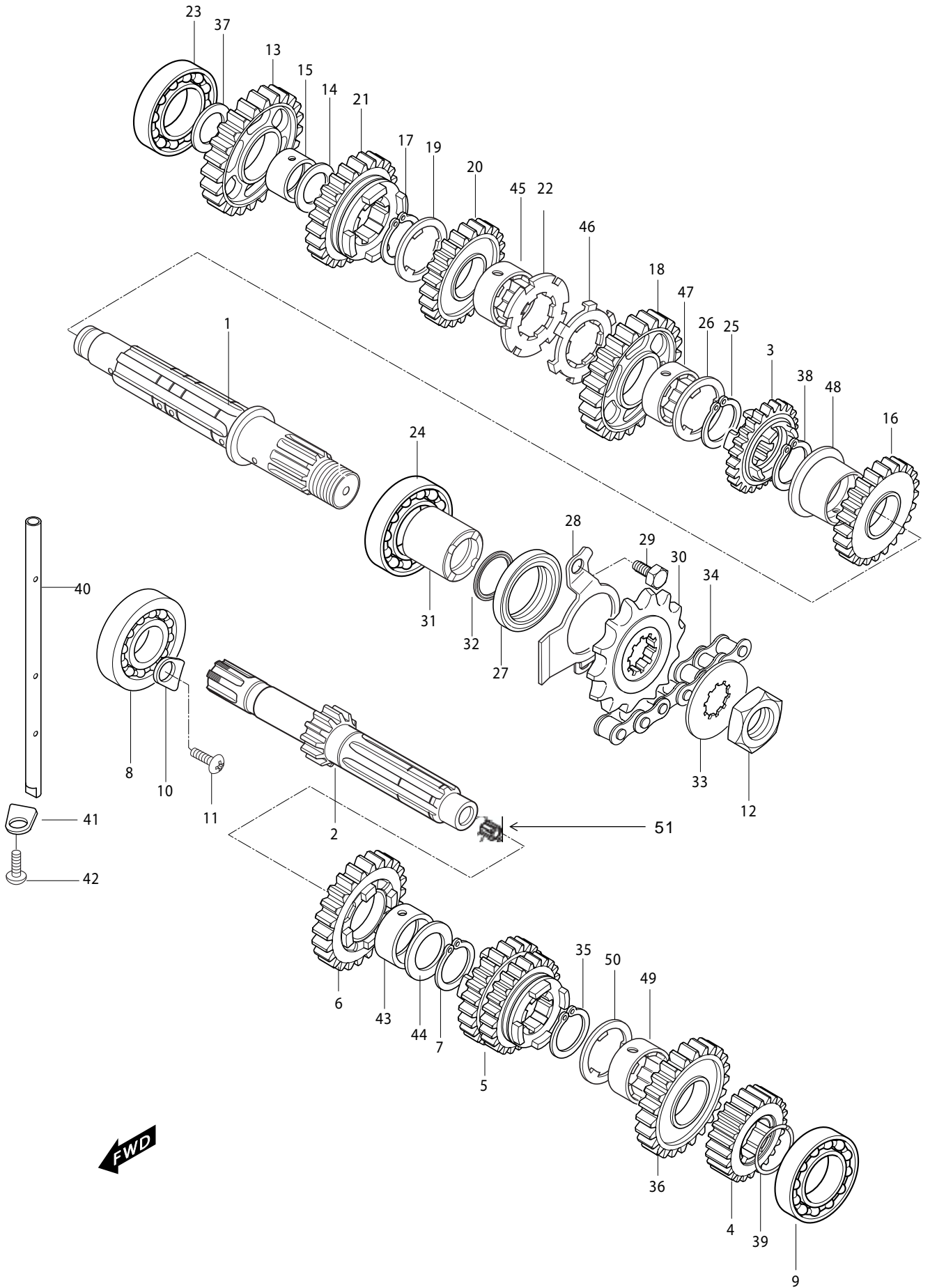
FIG.19



# FIG 19. TRANSMISSION

| REF.<br>NO. | GT650R - FI (2008)   |                |                | GT650RN - EI (2009)  |                |                |                | PART NAME                             | Q'TY | REMARKS | REC.Q'TY<br>(PCS) |
|-------------|----------------------|----------------|----------------|----------------------|----------------|----------------|----------------|---------------------------------------|------|---------|-------------------|
|             | 7EU01/7G01/7S01/7F01 | 7US02          | 8US01          | 9EU01/9G01/9S01/9F01 | BRAZIL         | 9AT02          | 9US02          |                                       |      |         |                   |
| 0           | 24200HN9100HPA       | 24200HN9100HPA | 24200HN9100HPA | 24200HN9100HPA       | 24200HN9100HPA | 24200HN9100HPA | 24200HN9100HPA | MISSION GEAR SET                      | 1    |         | 5                 |
| *           | 24121HN9104HPA       | 24121HN9104HPA | 24121HN9104HPA | 24121HN9104HPA       | 24121HN9104HPA | 24121HN9104HPA | 24121HN9104HPA | SHAFT, counter ASS'Y                  | 1    |         | 5                 |
| *           | 24131HN9100HPA       | 24131HN9100HPA | 24131HN9100HPA | 24131HN9100HPA       | 24131HN9100HPA | 24131HN9100HPA | 24131HN9100HPA | SHAFT, drive ASS'Y                    | 1    |         | 5                 |
| 1           | 24130HN9100HPA       | 24130HN9100HPA | 24130HN9100HPA | 24130HN9100HPA       | 24130HN9100HPA | 24130HN9100HPA | 24130HN9100HPA | SHAFT COMP, drive                     | 1    |         | 5                 |
| 2           | 24121HN9104          | 24121HN9104    | 24121HN9104    | 24121HN9104          | 24121HN9104    | 24121HN9104    | 24121HN9104    | SHAFT COMP, counter                   | 1    |         | 5                 |
| 3           | 24361HN9101          | 24361HN9101    | 24361HN9101    | 24361HN9101          | 24361HN9101    | 24361HN9101    | 24361HN9101    | GEAR, 6th driven                      | 1    |         | 5                 |
| 4           | 24221HN9102          | 24221HN9102    | 24221HN9102    | 24221HN9102          | 24221HN9102    | 24221HN9102    | 24221HN9102    | GEAR, 2nd drive                       | 1    |         | 5                 |
| 5           | 24231HN9101          | 24231HN9101    | 24231HN9101    | 24231HN9101          | 24231HN9101    | 24231HN9101    | 24231HN9101    | GEAR, 3rd & 4th drive                 | 1    |         | 5                 |
| 6           | 24251HN9101          | 24251HN9101    | 24251HN9101    | 24251HN9101          | 24251HN9101    | 24251HN9101    | 24251HN9101    | GEAR, 5th drive                       | 1    |         | 5                 |
| 7           | 09380H25001          | 09380H25001    | 09380H25001    | 09380H25001          | 09380H25001    | 09380H25001    | 09380H25001    | CIRCLIP, 5th drive gear               | 1    |         | 25                |
| 8           | 08113-63040          | 08113-63040    | 08113-63040    | 08113-63040          | 08113-63040    | 08113-63040    | 08113-63040    | BEARING, counter shaft R(#6304)       | 1    |         | 5                 |
| 9           | 08123-63050          | 08123-63050    | 08123-63050    | 08123-63050          | 08123-63050    | 08123-63050    | 08123-63050    | BEARING, counter shaft L(#6305)       | 1    |         | 5                 |
| 10          | 24741HN9100          | 24741HN9100    | 24741HN9100    | 24741HN9100          | 24741HN9100    | 24741HN9100    | 24741HN9100    | RETAINER, counter shaft bearing       | 1    |         | 20                |
| 11          | 02112-06128          | 02112-06128    | 02112-06128    | 02112-06128          | 02112-06128    | 02112-06128    | 02112-06128    | SCREW, counter shaft bearing retainer | 1    |         | 10                |
| 12          | 09159H20001          | 09159H20001    | 09159H20001    | 09159H20001          | 09159H20001    | 09159H20001    | 09159H20001    | NUT, engine sprocket                  | 1    |         | 5                 |
| 13          | 24311HN9100          | 24311HN9100    | 24311HN9100    | 24311HN9100          | 24311HN9100    | 24311HN9100    | 24311HN9100    | GEAR, 1st driven                      | 1    |         | 5                 |
| 14          | 09181H20001          | 09181H20001    | 09181H20001    | 09181H20001          | 09181H20001    | 09181H20001    | 09181H20001    | SHIM, 1st driven gear                 | 1    |         | 5                 |
| 15          | 24312HN9100          | 24312HN9100    | 24312HN9100    | 24312HN9100          | 24312HN9100    | 24312HN9100    | 24312HN9100    | BUSH, 1st driven gear                 | 1    |         | 5                 |
| 16          | 24321HN9101          | 24321HN9101    | 24321HN9101    | 24321HN9101          | 24321HN9101    | 24321HN9101    | 24321HN9101    | GEAR, 2nd driven                      | 1    |         | 5                 |
| 17          | 09380H25001          | 09380H25001    | 09380H25001    | 09380H25001          | 09380H25001    | 09380H25001    | 09380H25001    | CIRCLIP, 4th driven gear              | 1    |         | 25                |
| 18          | 24331HN9101          | 24331HN9101    | 24331HN9101    | 24331HN9101          | 24331HN9101    | 24331HN9101    | 24331HN9101    | GEAR, 3rd driven                      | 1    |         | 5                 |
| 19          | 09167H25001          | 09167H25001    | 09167H25001    | 09167H25001          | 09167H25001    | 09167H25001    | 09167H25001    | THRUST WASHER, 4th driven gear        | 1    |         | 15                |
| 20          | 24341HN9100          | 24341HN9100    | 24341HN9100    | 24341HN9100          | 24341HN9100    | 24341HN9100    | 24341HN9100    | GEAR, 4th driven                      | 1    |         | 5                 |
| 21          | 24351HN9101          | 24351HN9101    | 24351HN9101    | 24351HN9101          | 24351HN9101    | 24351HN9101    | 24351HN9101    | GEAR, 5th driven                      | 1    |         | 5                 |
| 22          | 09167H25002          | 09167H25002    | 09167H25002    | 09167H25002          | 09167H25002    | 09167H25002    | 09167H25002    | WASHER, 3rd & 4th driven gear thrust  | 1    |         | 5                 |
| 23          | 08113-62030          | 08113-62030    | 08113-62030    | 08113-62030          | 08113-62030    | 08113-62030    | 08113-62030    | BEARING, drive shaft R                | 1    |         | 5                 |
| 24          | 08123-63050          | 08123-63050    | 08123-63050    | 08123-63050          | 08123-63050    | 08123-63050    | 08123-63050    | BEARING, drive shaft L                | 1    |         | 5                 |
| 25          | 09380H25001          | 09380H25001    | 09380H25001    | 09380H25001          | 09380H25001    | 09380H25001    | 09380H25001    | CIRCLIP, 3rd driven gear              | 1    |         | 25                |
| 26          | 09167H25001          | 09167H25001    | 09167H25001    | 09167H25001          | 09167H25001    | 09167H25001    | 09167H25001    | THRUST WASHER, 3rd driven gear        | 1    |         | 15                |
| 27          | 09282H36002          | 09282H36002    | 09282H36002    | 09282H36002          | 09282H36002    | 09282H36002    | 09282H36002    | OIL SEAL, drive shaft                 | 1    |         | 5                 |
| 28          | 24751HN9100          | 24751HN9100    | 24751HN9100    | 24751HN9100          | 24751HN9100    | 24751HN9100    | 24751HN9100    | RETAINER, drive shaft oil seal        | 1    |         | 5                 |
| 29          | 01107-06106          | 01107-06106    | 01107-06106    | 01107-06106          | 01107-06106    | 01107-06106    | 01107-06106    | BOLT, drive shaft oil seal retainer   | 1    |         | 10                |
| 30          | 27510HN9100          | 27510HN9100    | 27510HN9100    | 27510HN9100          | 27510HN9100    | 27510HN9100    | 27510HN9100    | SPROCKET COMP, engine 15T(#525)       | 1    |         | 5                 |
| 31          | 27531HN9100          | 27531HN9100    | 27531HN9100    | 27531HN9100          | 27531HN9100    | 27531HN9100    | 27531HN9100    | SPACER, engine sprocket               | 1    |         | 5                 |
| 32          | 09280H24001          | 09280H24001    | 09280H24001    | 09280H24001          | 09280H24001    | 09280H24001    | 09280H24001    | O-RING, engine sprocket               | 1    |         | 5                 |
| 33          | 09167H25004          | 09167H25004    | 09167H25004    | 09167H25004          | 09167H25004    | 09167H25004    | 09167H25004    | LOCK WASHER, engine sprocket          | 1    |         | 15                |
| 34          | 27600HN9100          | 27600HN9100    | 27600HN9100    | 27600HN9100          | 27600HN9100    | 27600HN9100    | 27600HN9100    | CHAIN ASS'Y, drive 108L(#525)         | 1    |         | 5                 |
| 35          | 09380H25001          | 09380H25001    | 09380H25001    | 09380H25001          | 09380H25001    | 09380H25001    | 09380H25001    | CIRCLIP, 6th driven gear              | 1    |         | 25                |
| 36          | 24261HN9101          | 24261HN9101    | 24261HN9101    | 24261HN9101          | 24261HN9101    | 24261HN9101    | 24261HN9101    | GEAR, 6th drive                       | 1    |         | 5                 |
| 37          | 09181H17001          | 09181H17001    | 09181H17001    | 09181H17001          | 09181H17001    | 09181H17001    | 09181H17001    | SHIM, drive shaft                     | 1    |         | 5                 |
| 38          | 09380H25001          | 09380H25001    | 09380H25001    | 09380H25001          | 09380H25001    | 09380H25001    | 09380H25001    | CIRCLIP, 2nd drive gear               | 1    |         | 25                |
| 39          | 09380H22001          | 09380H22001    | 09380H22001    | 09380H22001          | 09380H22001    | 09380H22001    | 09380H22001    | CIRCLIP, 2nd drive gear               | 1    |         | 5                 |
| 40          | 24761HN9102          | 24761HN9102    | 24761HN9102    | 24761HN9102          | 24761HN9102    | 24761HN9102    | 24761HN9102    | PIPE, transmission oil                | 1    |         | 5                 |
| 41          | 24741HN9100          | 24741HN9100    | 24741HN9100    | 24741HN9100          | 24741HN9100    | 24741HN9100    | 24741HN9100    | RETAINER, transmission oil pipe       | 1    |         | 20                |

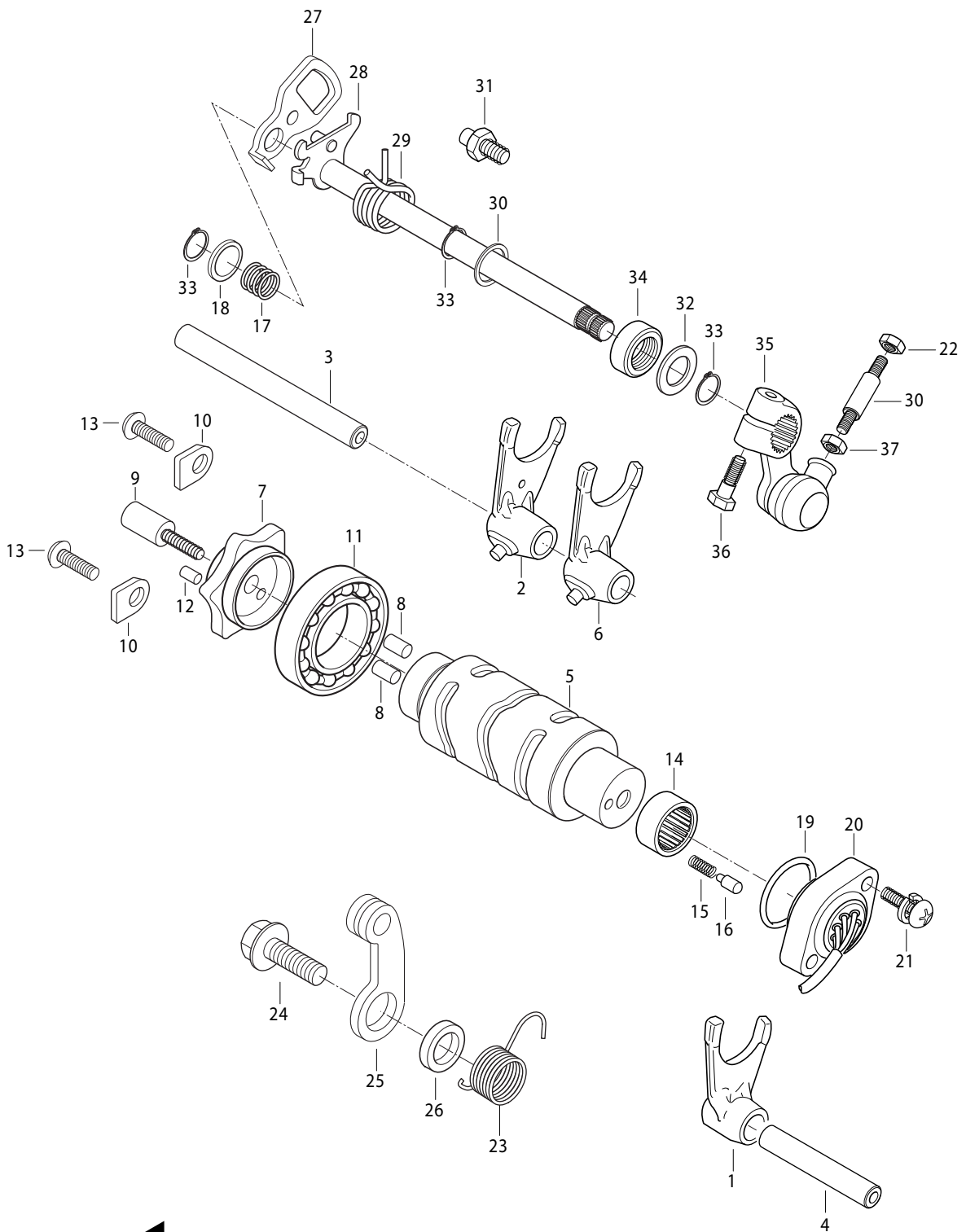
FIG.19



# FIG 19-1. TRANSMISSION

| REF. NO. | GT650R - FI (2008)   |             |             | GT650RN - EI (2009)  |             |             |             | PART NAME                             | Q'TY | REMARKS | REC.Q'TY (PCS) |
|----------|----------------------|-------------|-------------|----------------------|-------------|-------------|-------------|---------------------------------------|------|---------|----------------|
|          | 7EU01/7G01/7S01/7F01 | 7US02       | 8US01       | 9EU01/9G01/9S01/9F01 | BRAZIL      | 9AT02       | 9US02       |                                       |      |         |                |
| 42       | 02112-06128          | 02112-06128 | 02112-06128 | 02112-06128          | 02112-06128 | 02112-06128 | 02112-06128 | SCREW, transmission oil pipe retainer | 1    |         | 10             |
| 43       | 24252HN9100          | 24252HN9100 | 24252HN9100 | 24252HN9100          | 24252HN9100 | 24252HN9100 | 24252HN9100 | BUSH, 5th drive gear                  | 1    |         | 5              |
| 44       | 09181H25001          | 09181H25001 | 09181H25001 | 09181H25001          | 09181H25001 | 09181H25001 | 09181H25001 | SHIM, 5th drive gear                  | 1    |         | 5              |
| 45       | 24332HN9100          | 24332HN9100 | 24332HN9100 | 24332HN9100          | 24332HN9100 | 24332HN9100 | 24332HN9100 | BUSH, 4th drive gear                  | 1    |         | 5              |
| 46       | 09167H25003          | 09167H25003 | 09167H25003 | 09167H25003          | 09167H25003 | 09167H25003 | 09167H25003 | WASHER, thrust washer lock            | 1    |         | 5              |
| 47       | 24332HN9100          | 24332HN9100 | 24332HN9100 | 24332HN9100          | 24332HN9100 | 24332HN9100 | 24332HN9100 | BUSH, 3rd driven gear                 | 1    |         | 5              |
| 48       | 24322HN9100          | 24322HN9100 | 24322HN9100 | 24322HN9100          | 24322HN9100 | 24322HN9100 | 24322HN9100 | BUSH, 2nd driven gear                 | 1    |         | 5              |
| 49       | 24262HN9100          | 24262HN9100 | 24262HN9100 | 24262HN9100          | 24262HN9100 | 24262HN9100 | 24262HN9100 | BUSH, 6th drive gear                  | 1    |         | 5              |
| 50       | 09167H25001          | 09167H25001 | 09167H25001 | 09167H25001          | 09167H25001 | 09167H25001 | 09167H25001 | WASHER, 6th drive gear                | 1    |         | 5              |
| 51       | 24125-38201          | 24125-38201 | 24125-38201 | 24125-38201          | 24125-38201 | 24125-38201 | 24125-38201 | BUSH                                  | 2    |         | 5              |

FIG 20

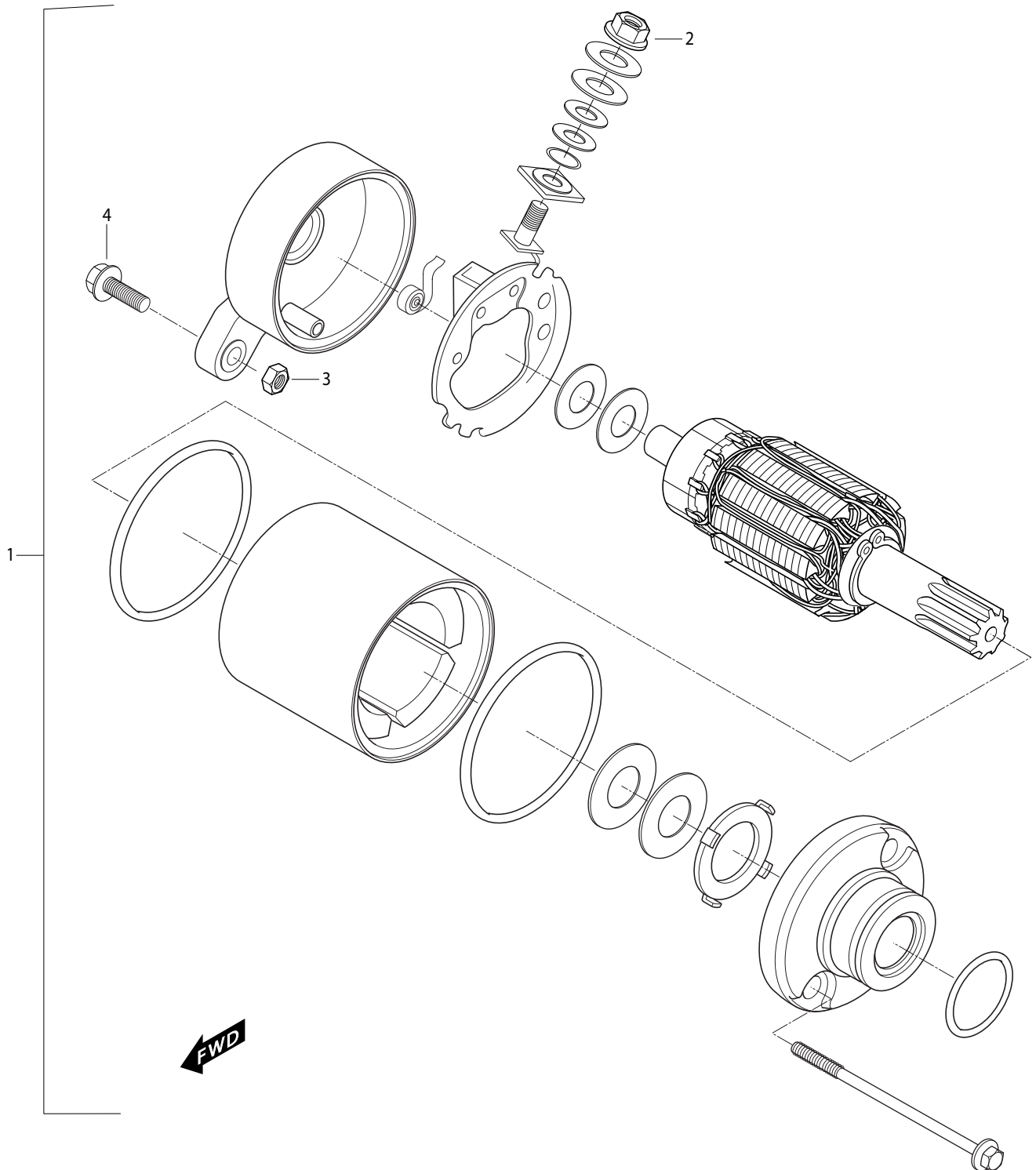


FWD

# FIG 20. GEAR SHIFTING

| REF.<br>NO. | GT650R - FI (2008)   |             |             | GT650RN - EI (2009)  |             |             |             | PART NAME                              | Q'TY | REMARKS | REC.Q'TY<br>(PCS) |
|-------------|----------------------|-------------|-------------|----------------------|-------------|-------------|-------------|--|------|---------|-------------------|
|             | 7EU01/7G01/7S01/7F01 | 7US02       | 8US01       | 9EU01/9G01/9S01/9F01 | BRAZIL      | 9AT02       | 9US02       |  |      |         |                   |
| 1           | 25231HN9100          | 25231HN9100 | 25231HN9100 | 25231HN9100          | 25231HN9100 | 25231HN9100 | 25231HN9100 | FORK, gear shift No.3                  | 1    |         | 5                 |
| 2           | 25211HN9100          | 25211HN9100 | 25211HN9100 | 25211HN9100          | 25211HN9100 | 25211HN9100 | 25211HN9100 | FORK, gear shift No.1                  | 1    |         | 5                 |
| 3           | 25411HN9100          | 25411HN9100 | 25411HN9100 | 25411HN9100          | 25411HN9100 | 25411HN9100 | 25411HN9100 | SHAFT, gear shift fork No.1            | 1    |         | 5                 |
| 4           | 25421HN9100          | 25421HN9100 | 25421HN9100 | 25421HN9100          | 25421HN9100 | 25421HN9100 | 25421HN9100 | SHAFT, gear shift fork No.2            | 1    |         | 5                 |
| 5           | 25310HN9102          | 25310HN9102 | 25310HN9102 | 25310HN9102          | 25310HN9102 | 25310HN9102 | 25310HN9102 | CAM COMP, gear shift                   | 1    |         | 5                 |
| 6           | 25221HN9100          | 25221HN9100 | 25221HN9100 | 25221HN9100          | 25221HN9100 | 25221HN9100 | 25221HN9100 | FORK, gear shift No.2                  | 1    |         | 5                 |
| 7           | 25380HN9104          | 25380HN9104 | 25380HN9104 | 25380HN9104          | 25380HN9104 | 25380HN9104 | 25380HN9104 | PLATE COMP, gear shift cam             | 1    |         | 5                 |
| 8           | 04221-04089          | 04221-04089 | 04221-04089 | 04221-04089          | 04221-04089 | 04221-04089 | 04221-04089 | PIN, gear shift cam plate              | 2    |         | 10                |
| 9           | 25321HN9100          | 25321HN9100 | 25321HN9100 | 25321HN9100          | 25321HN9100 | 25321HN9100 | 25321HN9100 | BOLT, gear shift cam plate             | 1    |         | 5                 |
| 10          | 24741HN9100          | 24741HN9100 | 24741HN9100 | 24741HN9100          | 24741HN9100 | 24741HN9100 | 24741HN9100 | RETAINER, gear shift cam bearing R     | 2    |         | 10                |
| 11          | 09262H25002          | 09262H25002 | 09262H25002 | 09262H25002          | 09262H25002 | 09262H25002 | 09262H25002 | BEARING, gear shift cam R              | 2    |         | 5                 |
| 12          | 09261-04002          | 09261-04002 | 09261-04002 | 09261-04002          | 09261-04002 | 09261-04002 | 09261-04002 | PIN, gear shift cam plate              | 6    |         | 10                |
| 13          | 02122-06128          | 02122-06128 | 02122-06128 | 02122-06128          | 02122-06128 | 02122-06128 | 02122-06128 | SCREW, gear shift cam bearing retainer | 2    |         | 10                |
| 14          | 09263H25001          | 09263H25001 | 09263H25001 | 09263H25001          | 09263H25001 | 09263H25001 | 09263H25001 | BEARING, gear shift cam L              | 1    |         | 5                 |
| 15          | 09440-04010          | 09440-04010 | 09440-04010 | 09440-04010          | 09440-04010 | 09440-04010 | 09440-04010 | SPRING, gear shift switch contact      | 1    |         | 5                 |
| 16          | 09209-05011          | 09209-05011 | 09209-05011 | 09209-05011          | 09209-05011 | 09209-05011 | 09209-05011 | CONTACT, gear shift switch             | 1    |         | 5                 |
| 17          | 09440H17001          | 09440H17001 | 09440H17001 | 09440H17001          | 09440H17001 | 09440H17001 | 09440H17001 | SPRING, gear shift cam drive plate     | 1    |         | 5                 |
| 18          | 09181H14001          | 09181H14001 | 09181H14001 | 09181H14001          | 09181H14001 | 09181H14001 | 09181H14001 | SHIM, gear shift shaft thrust          | 2    |         | 10                |
| 19          | 09280-26003          | 09280-26003 | 09280-26003 | 09280-26003          | 09280-26003 | 09280-26003 | 09280-26003 | O-RING, gear shift switch              | 1    |         | 5                 |
| 20          | 37720HR8600          | 37720HR8600 | 37720HR8600 | 37720HR8600          | 37720HR8600 | 37720HR8600 | 37720HR8600 | SWITCH ASS'Y, gear shift               | 1    |         | 5                 |
| 21          | 02112-95208          | 02112-95208 | 02112-95208 | 02112-95208          | 02112-95208 | 02112-95208 | 02112-95208 | SCREW, gear shift switch               | 2    |         | 10                |
| 22          | 09140-06011          | 09140-06011 | 09140-06011 | 09140-06011          | 09140-06011 | 09140-06011 | 09140-06011 | NUT, gear shift link rod L (M6)        | 2    |         | 10                |
| 23          | 09448H17002          | 09448H17002 | 09448H17002 | 09448H17002          | 09448H17002 | 09448H17002 | 09448H17002 | SPRING, gear shift cam stopper         | 1    |         | 5                 |
| 24          | 09111-06019          | 09111-06019 | 09111-06019 | 09111-06019          | 09111-06019 | 09111-06019 | 09111-06019 | BOLT, gear shift cam stopper           | 1    |         | 5                 |
| 25          | 25350HN9100          | 25350HN9100 | 25350HN9100 | 25350HN9100          | 25350HN9100 | 25350HN9100 | 25350HN9100 | STOPPER COMP, gear shift cam           | 1    |         | 5                 |
| 26          | 08211-06121          | 08211-06121 | 08211-06121 | 08211-06121          | 08211-06121 | 08211-06121 | 08211-06121 | WASHER, gear shift shaft thrust        | 1    |         | 5                 |
| 27          | 25521HN9100          | 25521HN9100 | 25521HN9100 | 25521HN9100          | 25521HN9100 | 25521HN9100 | 25521HN9100 | PLATE, gear shift cam drive            | 1    |         | 5                 |
| 28          | 25510HN9101          | 25510HN9101 | 25510HN9101 | 25510HN9101          | 25510HN9101 | 25510HN9101 | 25510HN9101 | SHAFT COMP, gear shift                 | 1    |         | 5                 |
| 29          | 09444H20011          | 09444H20011 | 09444H20011 | 09444H20011          | 09444H20011 | 09444H20011 | 09444H20011 | SPRING, gear shift shaft return        | 1    |         | 5                 |
| 30          | 25525HP9200          | 25525HP9200 | 25525HP9200 | 25525HP9200          | 25525HP9200 | 25525HP9200 | 25525HP9200 | ROD, gear shift link(L=240)            | 1    |         | 5                 |
| *           | 25525HP9250          | 25525HP9250 | 25525HP9250 | 25525HP9250          | 25525HP9250 | 25525HP9250 | 25525HP9250 | ROD, gear shift link(L=258)            | 1    |         |                   |
| 31          | 25671-01000          | 25671-01000 | 25671-01000 | 25671-01000          | 25671-01000 | 25671-01000 | 25671-01000 | STOPPER, gear shift arm                | 1    |         | 5                 |
| 32          | 09160H14003          | 09160H14003 | 09160H14003 | 09160H14003          | 09160H14003 | 09160H14003 | 09160H14003 | WASHER, gear shift shaft thrust        | 1    |         | 5                 |
| 33          | 08331-31149          | 08331-31149 | 08331-31149 | 08331-31149          | 08331-31149 | 08331-31149 | 08331-31149 | CIRCLIP, gear shift shaft              | 3    |         | 15                |
| 34          | 09283H14002          | 09283H14002 | 09283H14002 | 09283H14002          | 09283H14002 | 09283H14002 | 09283H14002 | SEAL, gear shift shaft oil             | 1    |         | 5                 |
| 35          | 25520-32C00          | 25520-32C00 | 25520-32C00 | 25520-32C00          | 25520-32C00 | 25520-32C00 | 25520-32C00 | ARM COMP, gear shift link              | 1    |         | 5                 |
| 36          | 01107-06208          | 01107-06208 | 01107-06208 | 01107-06208          | 01107-06208 | 01107-06208 | 01107-06208 | BOLT, gear shift link arm (M6X10)      | 1    |         | 5                 |
| 37          | 08310-11068          | 08310-11068 | 08310-11068 | 08310-11068          | 08310-11068 | 08310-11068 | 08310-11068 | NUT, gear shift link rod R (M6)        | 1    |         | 5                 |

FIG 21

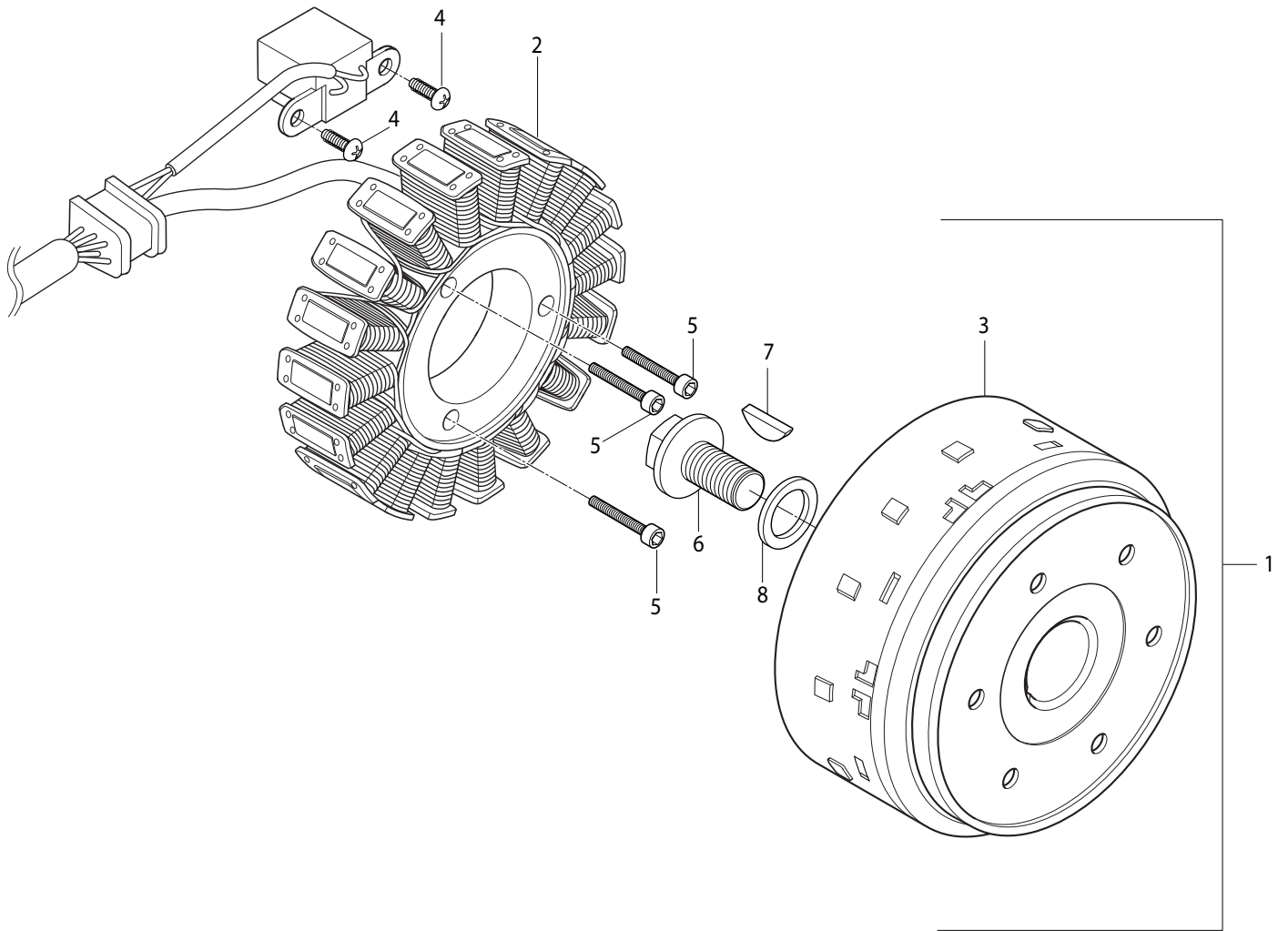




## FIG 21. STARTING MOTOR

| REF.<br>NO. | GT650R - FI (2008)   |             |             | GT650RN - EI (2009)  |             |             |             | PART NAME                   | Q'TY | REMARKS | REC.Q'TY<br>(PCS) |
|-------------|----------------------|-------------|-------------|----------------------|-------------|-------------|-------------|-----------------------------|------|---------|-------------------|
|             | 7EU01/7G01/7S01/7F01 | 7US02       | 8US01       | 9EU01/9G01/9S01/9F01 | BRAZIL      | 9AT02       | 9US02       |                             |      |         |                   |
| 1           | 31100HN9100          | 31100HN9100 | 31100HN9100 | 31100HN9100          | 31100HN9100 | 31100HN9100 | 31100HN9100 | MOTOR ASS'Y, starting       | 1    |         | 5                 |
| 2           | 08316-16068          | 08316-16068 | 08316-16068 | 08316-16068          | 08316-16068 | 08316-16068 | 08316-16068 | NUT, starter motor terminal | 1    |         | 10                |
| 3           | 08319-21068          | 08319-21068 | 08319-21068 | 08319-21068          | 08319-21068 | 08319-21068 | 08319-21068 | NUT, start motor bracket    | 2    |         | 10                |
| 4           | 01547-06308          | 01547-06308 | 01547-06308 | 01547-06308          | 01547-06308 | 01547-06308 | 01547-06308 | BOLT, start motor bracket   | 2    |         | 10                |

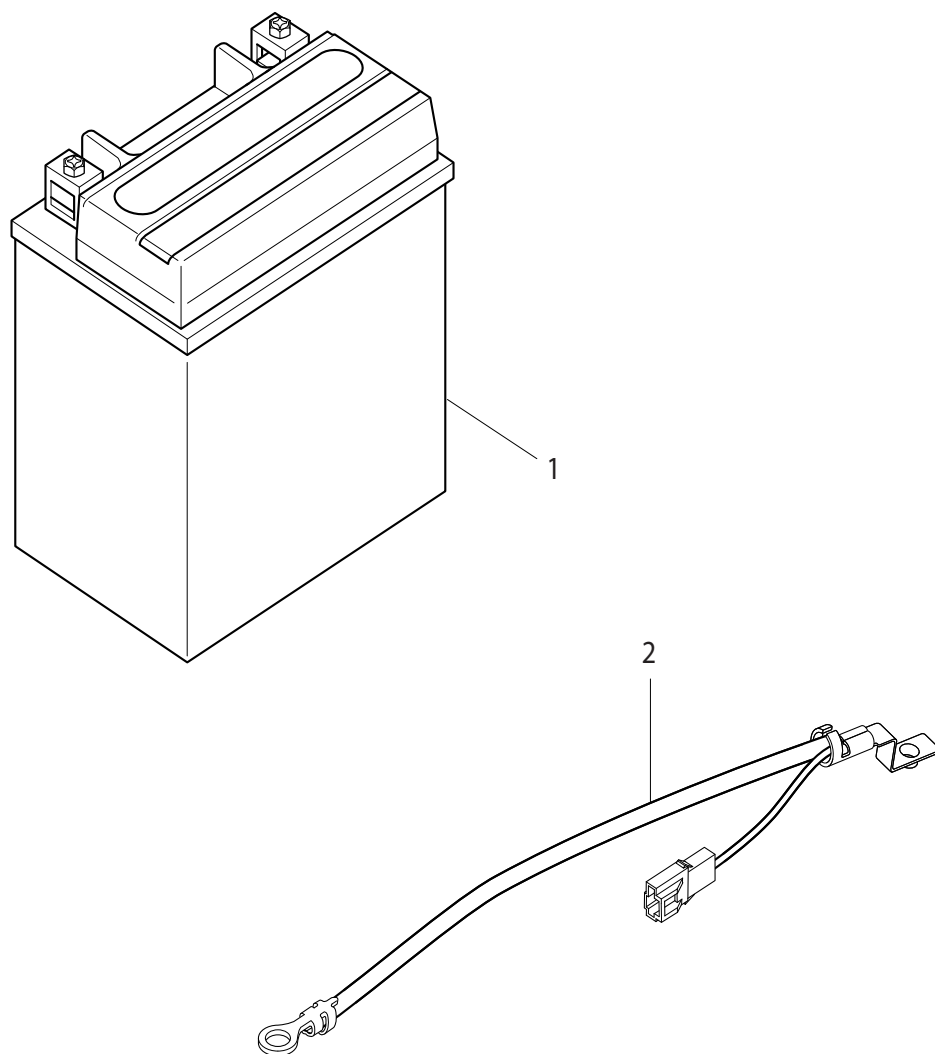
FIG 22



## FIG 22. MAGNETO ASSY

| REF.<br>NO. | GT650R - FI (2008)   |             |             | GT650RN - EI (2009)  |             |             |             | PART NAME                    | Q'TY | REMARKS | REC.Q'TY<br>(PCS) |
|-------------|----------------------|-------------|-------------|----------------------|-------------|-------------|-------------|------------------------------|------|---------|-------------------|
|             | 7EU01/7G01/7S01/7F01 | 7US02       | 8US01       | 9EU01/9G01/9S01/9F01 | BRAZIL      | 9AT02       | 9US02       |                              |      |         |                   |
| 1           | 32100HP9330          | 32100HP9330 | 32100HP9330 | 32100HP9330          | 32100HP9330 | 32100HP9330 | 32100HP9330 | MAGNETO ASS'Y                | 1    |         | 5                 |
| 2           | 32101HP9300          | 32101HP9300 | 32101HP9300 | 32101HP9300          | 32101HP9300 | 32101HP9300 | 32101HP9300 | STATOR ASS'Y                 | 1    |         | 5                 |
| 3           | 32102HP9330          | 32102HP9330 | 32102HP9330 | 32102HP9330          | 32102HP9330 | 32102HP9330 | 32102HP9330 | ROTOR, fly wheel             | 1    |         | 5                 |
| 4           | 02142-05128          | 02142-05128 | 02142-05128 | 02142-05128          | 02142-05128 | 02142-05128 | 02142-05128 | SCREW, pick-up coil(M5X12)   | 2    |         | 10                |
| 5           | 07110-06308          | 07110-06308 | 07110-06308 | 07110-06308          | 07110-06308 | 07110-06308 | 07110-06308 | SCREW, magneto stator(M5X30) | 3    |         | 10                |
| 6           | 09103H12001          | 09103H12001 | 09103H12001 | 09103H12001          | 09103H12001 | 09103H12001 | 09103H12001 | BOLT, magneto                | 1    |         | 5                 |
| 7           | 09420H04001          | 09420H04001 | 09420H04001 | 09420H04001          | 09420H04001 | 09420H04001 | 09420H04001 | KEY, magneto                 | 1    |         | 5                 |
| 8           | 09160H12003          | 09160H12003 | 09160H12003 | 09160H12003          | 09160H12003 | 09160H12003 | 09160H12003 | WASHER, magneto              | 1    |         | 5                 |

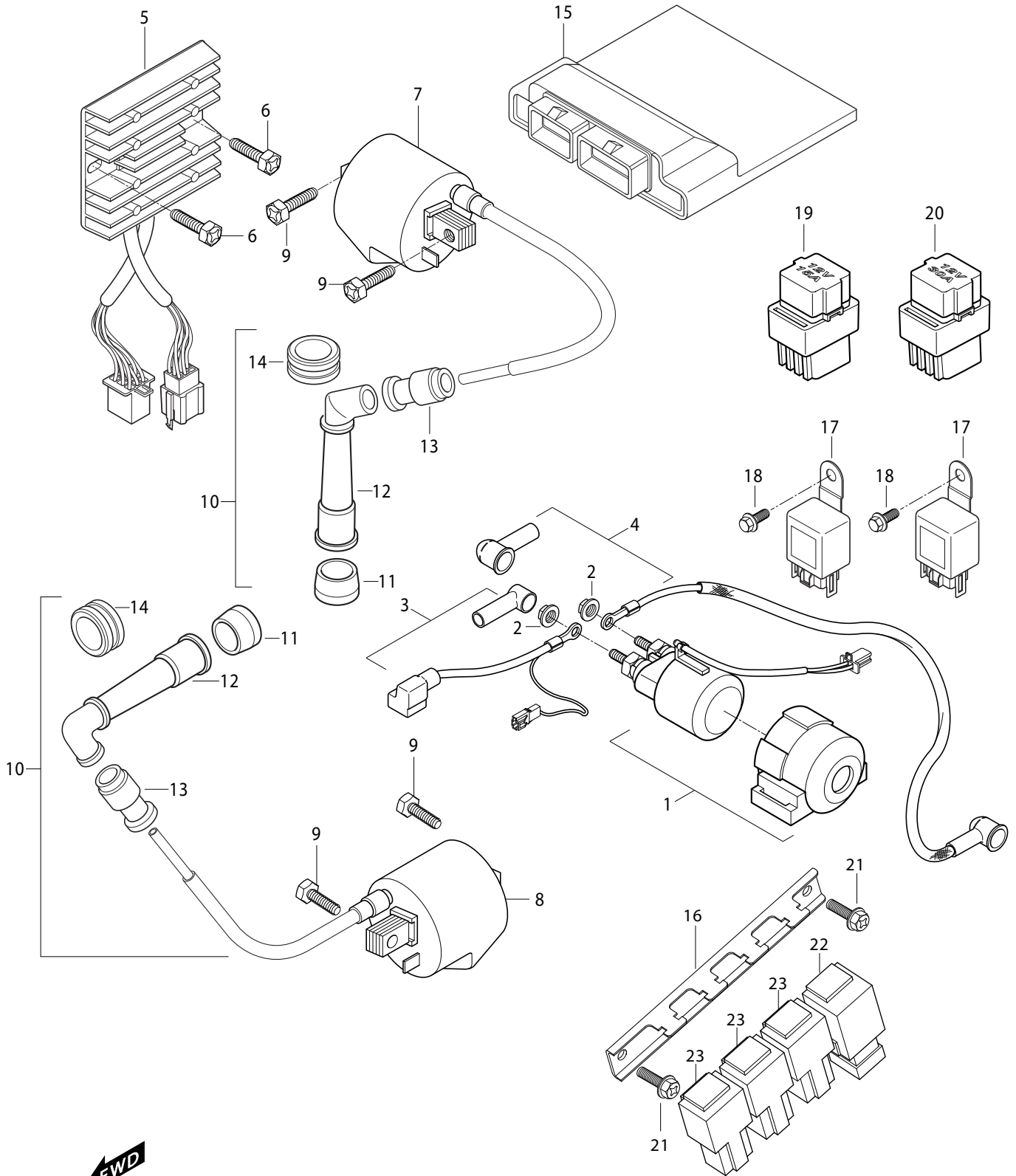
FIG 23



## FIG 23. BATTERY

| REF.<br>NO. | GT650R - FI (2008)   |             |             | GT650RN - EI (2009)  |             |             |             | PART NAME                         | Q'TY | REMARKS | REC.Q'TY<br>(PCS) |
|-------------|----------------------|-------------|-------------|----------------------|-------------|-------------|-------------|-----------------------------------|------|---------|-------------------|
|             | 7EU01/7G01/7S01/7F01 | 7US02       | 8US01       | 9EU01/9G01/9S01/9F01 | BRAZIL      | 9AT02       | 9US02       |                                   |      |         |                   |
| 1           | 33610HM8100          | 33610HM8100 | 33610HM8100 | 33610HM8110          | 33610HM8110 | 33610HM8110 | 33610HM8110 | BATTERY ASS'Y(12V 12Ah. STX14-BS) | 1    |         | 5                 |
| 2           | 33860HN9100          | 33860HN9100 | 33860HN9100 | 33860HN9100          | 33860HN9100 | 33860HN9100 | 33860HN9100 | LEAD WIRE, battery minus(-)       | 1    |         | 5                 |

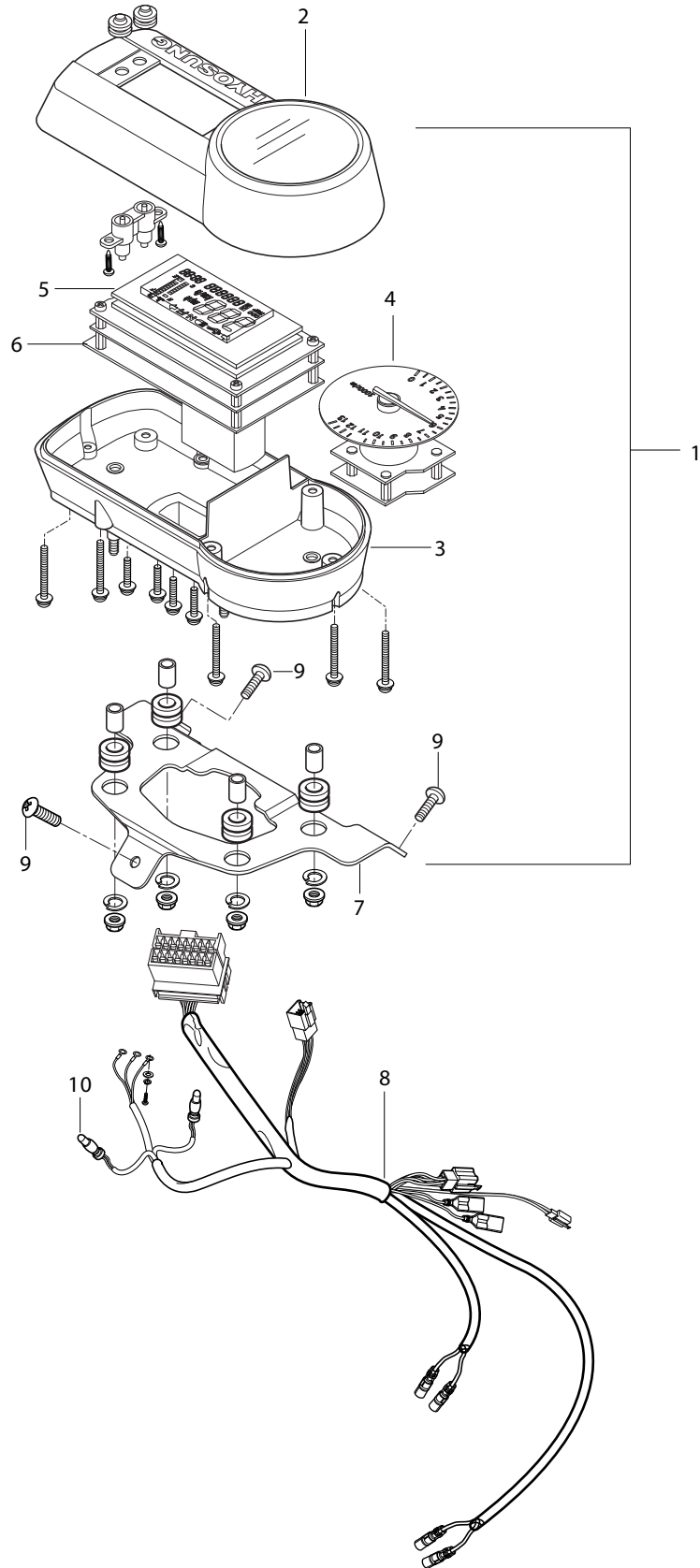
FIG 24



# FIG 24. ELECTRICAL

| REF.<br>NO. | GT650R - FI (2008)   |             |             | GT650RN - EI (2009)  |             |             |             | PART NAME                         | Q'TY | REMARKS | REC.Q'TY<br>(PCS) |
|-------------|----------------------|-------------|-------------|----------------------|-------------|-------------|-------------|-----------------------------------|------|---------|-------------------|
|             | 7EU01/7G01/7S01/7F01 | 7US02       | 8US01       | 9EU01/9G01/9S01/9F01 | BRAZIL      | 9AT02       | 9US02       |                                   |      |         |                   |
| 1           | 31800HG5100          | 31800HG5100 | 31800HG5100 | 31800HG5100          | 31800HG5100 | 31800HG5100 | 31800HG5100 | RELAY ASS'Y, starting motor       | 1    |         | 5                 |
| 2           | 08316-26066          | 08316-26066 | 08316-26066 | 08316-26066          | 08316-26066 | 08316-26066 | 08316-26066 | NUT, starter motor relay terminal | 2    |         | 40                |
| 3           | 33840HM8101          | 33840HM8101 | 33840HM8101 | 33840HM8101          | 33840HM8101 | 33840HM8101 | 33840HM8101 | LEAD WIRE, battery plus           | 1    |         | 5                 |
| 4           | 33850HG5800          | 33850HG5800 | 33850HG5800 | 33850H99700          | 33850H99700 | 33850H99700 | 33850H99700 | LEAD WIRE, starter motor          | 1    |         | 5                 |
| 5           | 32800HP9300          | 32800HP9300 | 32800HP9300 | 32800HP9300          | 32800HP9300 | 32800HP9300 | 32800HP9300 | RECTIFIER regulator ass'y         | 1    |         | 5                 |
| 6           | 01517-06166          | 01517-06166 | 01517-06166 | 01517-06166          | 01517-06166 | 01517-06166 | 01517-06166 | BOLT, rectifier                   | 2    |         | 10                |
| 7           | 33410HP9300          | 33410HP9300 | 33410HP9300 | 33410HP9300          | 33410HP9300 | 33410HP9300 | 33410HP9300 | COIL ASS'Y, ignition front        | 1    |         | 5                 |
| 8           | 33430HP9300          | 33430HP9300 | 33430HP9300 | 33430HP9300          | 33430HP9300 | 33430HP9300 | 33430HP9300 | COIL ASS'Y, ignition rear         | 1    |         | 5                 |
| 9           | 09128-06035          | 09128-06035 | 09128-06035 | 09128-06035          | 09128-06035 | 09128-06035 | 09128-06035 | BOLT, ignition coil               | 4    |         | 30                |
| 10          | 33500HN9100          | 33500HN9100 | 33500HN9100 | 33500HN9100          | 33500HN9100 | 33500HN9100 | 33500HN9100 | CAP ASS'Y spark plug              | 2    |         | 10                |
| 11          | 33541-23E01          | 33541-23E01 | 33541-23E01 | 33541-23E01          | 33541-23E01 | 33541-23E01 | 33541-23E01 | SEAL, spark plug                  | 2    |         | 5                 |
| 12          | 33510-05C01          | 33510-05C01 | 33510-05C01 | 33510-05C01          | 33510-05C01 | 33510-05C01 | 33510-05C01 | CAP, spark plug                   | 2    |         | 5                 |
| 13          | 33542-98000          | 33542-98000 | 33542-98000 | 33542-98000          | 33542-98000 | 33542-98000 | 33542-98000 | SEAL, high tention cord           | 2    |         | 5                 |
| 14          | 33545HN9100          | 33545HN9100 | 33545HN9100 | 33545HN9100          | 33545HN9100 | 33545HN9100 | 33545HN9100 | BUSH, spark plug cap              | 2    |         |                   |
| 15          | 32900HP9300          | 32900HP9300 | 32900HP9300 | 32900H89300          | 32900H99790 | 32900H89300 | 32900H89300 | ENGINE CONTROL UNIT               | 1    |         | 5                 |
| 16          | 38742HP7600          | 38742HP7600 | 38742HP7600 | 38742HP7600          | 38742HP7600 | 38742HP7600 | 38742HP7600 | BRACKET, relay                    | 1    |         |                   |
| 17          | 38740HM5401          | 38740HM5401 | 38740HM5401 | 38740HM5401          | 38740HM5401 | 38740HM5401 | 38740HM5401 | RELAY ASS'Y.                      | 2    |         | 15                |
| 18          | 01517-06166          | 01517-06166 | 01517-06166 | 01517-06166          | 01517-06166 | 01517-06166 | 01517-06166 | BOLT, relay                       | 2    |         | 10                |
| 19          | 36740-35C00          | 36740-35C00 | 36740-35C00 | 36740-35C00          | 36740-35C00 | 36740-35C00 | 36740-35C00 | BOX ASS'Y, fuse (15A)             | 1    |         |                   |
| 20          | 36740HN9100          | 36740HN9100 | 36740HN9100 | 36740HN9100          | 36740HN9100 | 36740HN9100 | 36740HN9100 | BOX ASS'Y, fuse (30A)             | 1    |         |                   |
| 21          | 01517-06166          | 01517-06166 | 01517-06166 | 01517-06166          | 01517-06166 | 01517-06166 | 01517-06166 | BOLT, relay bracket               | 2    |         | 5                 |
| 22          | 38610HR9700          | 38610HR9700 | 38610HR9700 | 38610HR9700          | 38610HR9700 | 38610HR9700 | 38610HR9700 | RELAY ASS'Y, turnsignal           | 1    |         | 10                |
| 23          | 38740HP7600          | 38740HP7600 | 38740HP7600 | 38740HP7600          | 38740HP7600 | 38740HP7600 | 38740HP7600 | RELAY ASS'Y, 12V 30A              | 3    |         |                   |

FIG 25



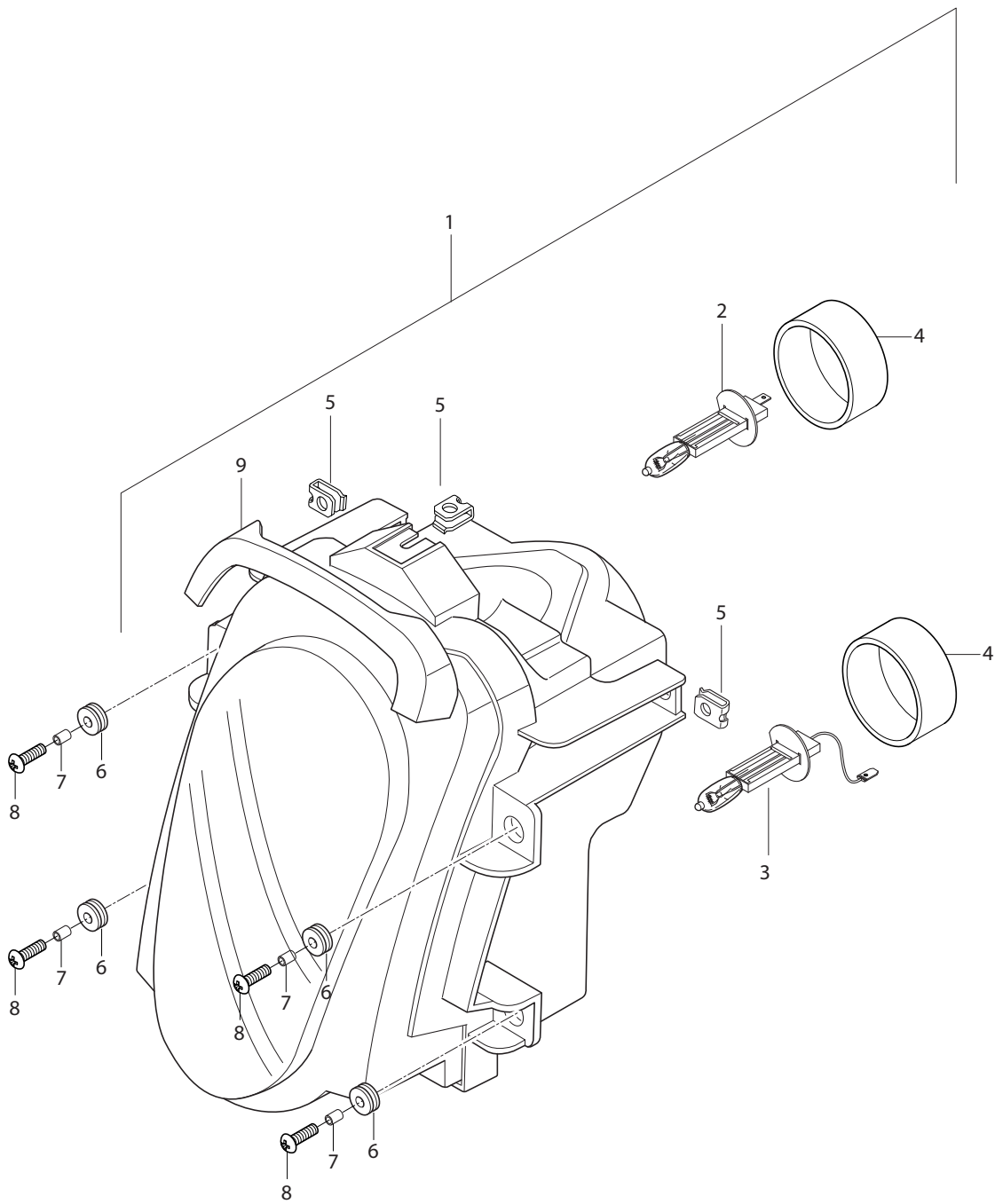
**FWD**



## FIG 25. SPEEDOMETER ASSY

| REF.<br>NO. | GT650R - FI (2008)   |             |             | GT650RN - EI (2009)  |             |             |             | PART NAME                       | Q'TY | REMARKS  | REC.Q'TY<br>(PCS) |
|-------------|----------------------|-------------|-------------|----------------------|-------------|-------------|-------------|---------------------------------|------|----------|-------------------|
|             | 7EU01/7G01/7S01/7F01 | 7US02       | 8US01       | 9EU01/9G01/9S01/9F01 | BRAZIL      | 9AT02       | 9US02       |                                 |      |          |                   |
| 1           | 34100HR9700          | 34100HR9700 | 34100HR9700 | 34100HR9700          | 34100HR9700 | 34100HR9700 | 34100HR9700 | SPEEDOMETER ASS'Y               | 1    |          | 5                 |
| 2           | 34150HP9200          | 34150HP9200 | 34150HP9200 | 34150HP9200          | 34150HP9200 | 34150HP9200 | 34150HP9200 | WINDOWS, case                   | 1    | NOT SALE |                   |
| 3           | 34160HP9200          | 34160HP9200 | 34160HP9200 | 34160HP9200          | 34160HP9200 | 34160HP9200 | 34160HP9200 | CASE SUB, housing               | 1    | NOT SALE |                   |
| 4           | 34121HR9700          | 34121HR9700 | 34121HR9700 | 34121HR9700          | 34121HR9700 | 34121HR9700 | 34121HR9700 | TACHOMETER ASS'Y, movement      | 1    | NOT SALE |                   |
| 5           | 34111HR9700          | 34111HR9700 | 34111HR9700 | 34111HR9700          | 34111HR9700 | 34111HR9700 | 34111HR9700 | PCB +DISPLAY ASS'Y, speedometer | 1    |          | 5                 |
| 6           | 34600HR9700          | 34600HR9700 | 34600HR9700 | 34600HR9700          | 34600HR9700 | 34600HR9700 | 34600HR9700 | PCB ASS'Y, speedometer          | 1    | NOT SALE |                   |
| 7           | 34950HP9200          | 34950HP9200 | 34950HP9200 | 34950HP9200          | 34950HP9200 | 34950HP9200 | 34950HP9200 | BRACKET, speedometer            | 1    |          |                   |
| 8           | 34170HR9700          | 34170HR9700 | 34170HR9700 | 34170HR9700          | 34170HR9700 | 34170HR9700 | 34170HR9700 | WIRING ASS'Y, speedometer       | 1    |          |                   |
| 9           | 01517-06208          | 01517-06208 | 01517-06208 | 01517-06208          | 01517-06208 | 01517-06208 | 01517-06208 | BOLT, speedometer bracket       | 3    |          |                   |
| 10          | 09471-12072          | 09471-12072 | 09471-12072 | 09471-12072          | 09471-12072 | 09471-12072 | 09471-12072 | BULB(12V 1.7W T6.5)             | 2    |          | 10                |

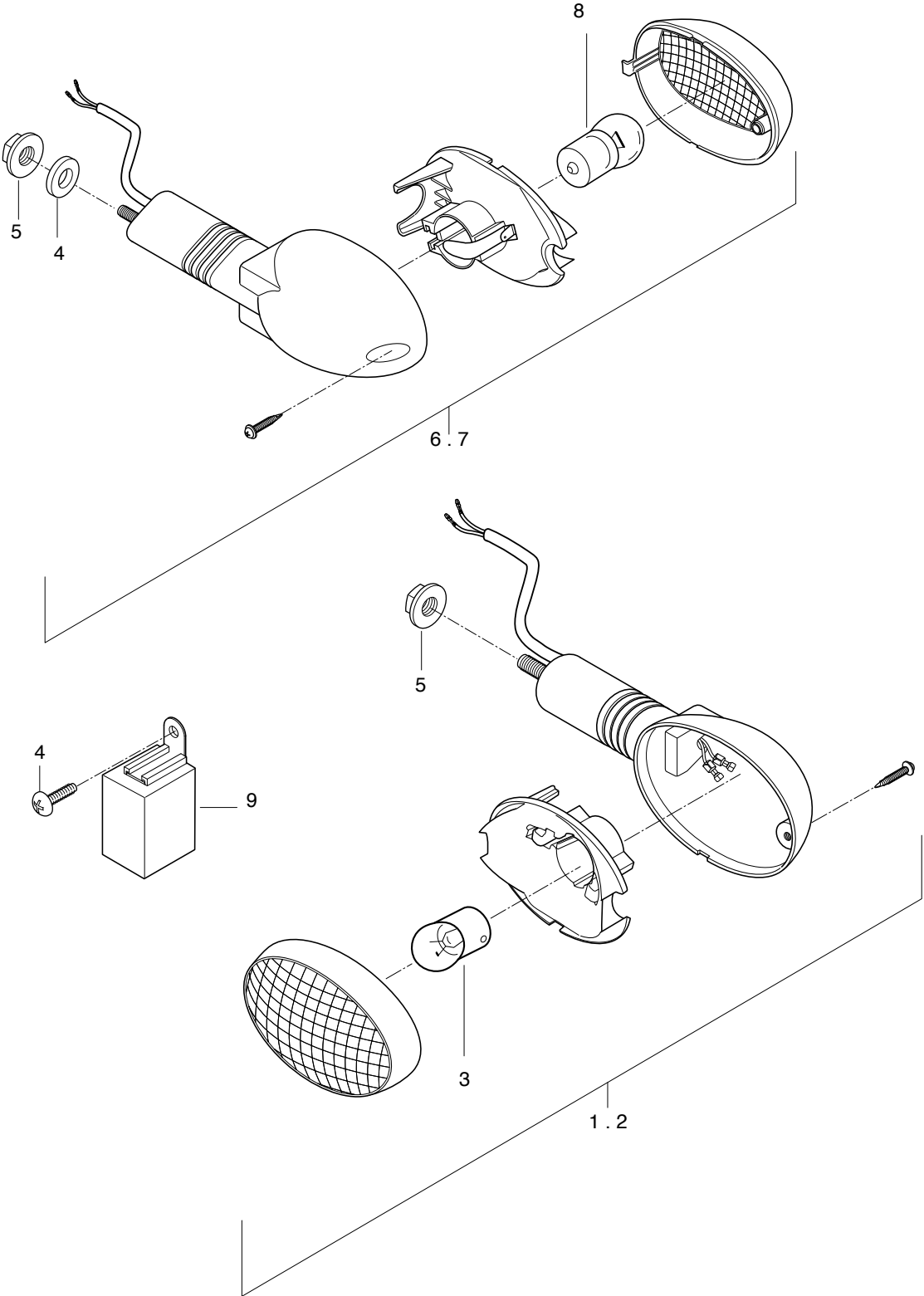
FIG.26



## FIG 26. HEAD LAMP

| REF.<br>NO. | GT650R - FI (2008)   |             |             | GT650RN - EI (2009)  |             |             |             | PART NAME                       | Q'TY | REMARKS | REC.Q'TY<br>(PCS) |
|-------------|----------------------|-------------|-------------|----------------------|-------------|-------------|-------------|---------------------------------|------|---------|-------------------|
|             | 7EU01/7G01/7S01/7F01 | 7US02       | 8US01       | 9EU01/9G01/9S01/9F01 | BRAZIL      | 9AT02       | 9US02       |                                 |      |         |                   |
| 1           | 35100HP9251          | 35100HP9261 | 35100HP9261 | 35100HP9251          | 35100HP9251 | 35100HP9251 | 35100HP9261 | HEAD LAMP ASS'Y                 | 1    |         | 5                 |
| 2           | 09471H12250          | 09471H12250 | 09471H12250 | 09471H12250          | 09471H12250 | 09471H12250 | 09471H12250 | BULB, head lamp hi(12v H1:55w)  | 1    |         | 10                |
| 3           | 09471H12230          | 09471H12230 | 09471H12230 | 09471H12230          | 09471H12230 | 09471H12230 | 09471H12230 | BULB, head lamp hi(12v H3:55w)  | 1    |         | 10                |
| 4           | 35173HP9200          | 35173HP9200 | 35173HP9200 | 35173HP9200          | 35173HP9200 | 35173HP9200 | 35173HP9200 | DUST COVER                      | 2    |         |                   |
| 5           | 09148-05039          | 09148-05039 | 09148-05039 | 09148-05039          | 09148-05039 | 09148-05039 | 09148-05039 | NUT, head lamp speedometer      | 3    |         | 15                |
| 6           | 09320-09016          | 09320-09016 | 09320-09016 | 09320-09016          | 09320-09016 | 09320-09016 | 09320-09016 | CUSHION, head lamp & brace comp | 4    |         |                   |
| 7           | 09180-06011          | 09180-06011 | 09180-06011 | 09180-06011          | 09180-06011 | 09180-06011 | 09180-06011 | SPACER, head lamp & brace comp  | 4    |         | 10                |
| 8           | 09136-06113          | 09136-06113 | 09136-06113 | 09136-06113          | 09136-06113 | 09136-06113 | 09136-06113 | BOLT, head lamp & brace comp    | 4    |         |                   |
| 9           | 35192HP9200          | 35192HP9200 | 35192HP9200 | 35192HP9200          | 35192HP9200 | 35192HP9200 | 35192HP9200 | CUSHION, Head Lamp              | 1    |         | 5                 |
| 10          | 35193HP9200          | 35193HP9200 | 35193HP9200 | 35193HP9200          | 35193HP9200 | 35193HP9200 | 35193HP9200 | TAPE, Cushion Head Lamp R       | 1    |         | 5                 |
| 11          | 35194HP9200          | 35194HP9200 | 35194HP9200 | 35194HP9200          | 35194HP9200 | 35194HP9200 | 35194HP9200 | TAPE, Cushion Head Lamp L       | 1    |         | 5                 |

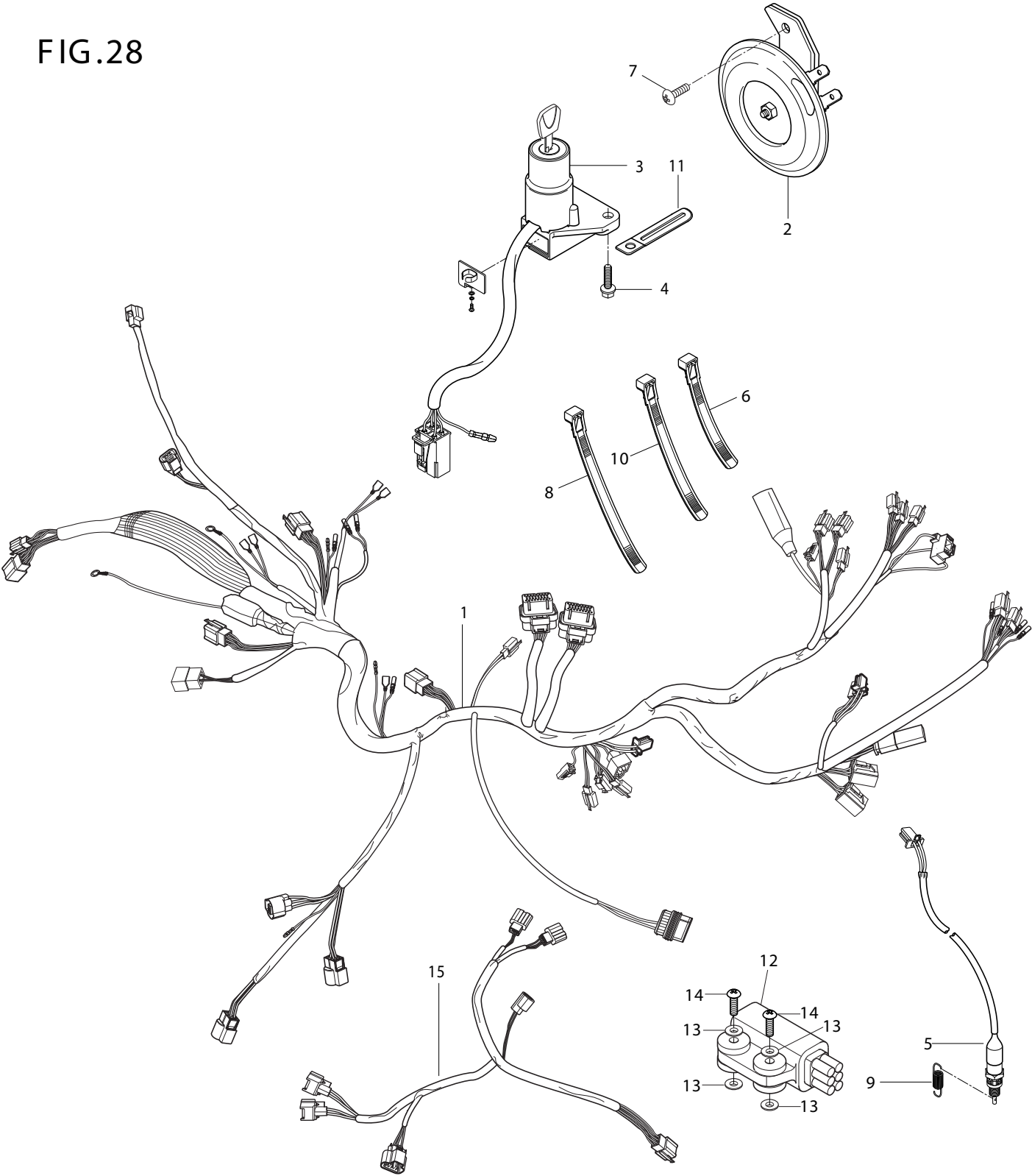
FIG.27



## FIG 27. FRONT TURN SIGNAL LAMP

| REF. NO. | GT650R - FI (2008)   |             |             | GT650RN - EI (2009)  |             |             |             | PART NAME                          | Q'TY | REMARKS | REC.Q'TY (PCS) |
|----------|----------------------|-------------|-------------|----------------------|-------------|-------------|-------------|------------------------------------|------|---------|----------------|
|          | 7EU01/7G01/7S01/7F01 | 7US02       | 8US01       | 9EU01/9G01/9S01/9F01 | BRAZIL      | 9AT02       | 9US02       |                                    |      |         |                |
| 1        | 35601HR7900          | 35601HR7900 | 35601HR7900 | 35601HR7900          | 35601HR7900 | 35601HR7900 | 35601HP9250 | LAMP ASS'Y, FT turnsignal R        | 1    |         | 5              |
| 2        | 35602HR7900          | 35602HR7900 | 35602HR7900 | 35602HR7900          | 35602HR7900 | 35602HR7900 | 35602HP9250 | LAMP ASS'Y, FT turnsignal L        | 1    |         | 5              |
| 3        | 09471H12112          | 09471H12112 | 09471H12112 | 09471H12112          | 09471H12112 | 09471H12112 | 09471H12112 | BULB, FT turnsignal lamp(12V,10W)  | 2    |         | 10             |
| 4        | 09160-06019          | 09160-06019 | 09160-06019 | 09160-06019          | 09160-06019 | 09160-06019 | 09160-06019 | BOLT, turnsignal relat             | 1    |         | 10             |
| 5        | 08316-26066          | 08316-26066 | 08316-26066 | 08316-26066          | 08316-26066 | 08316-26066 | 08316-26066 | NUT, FT turnsignal lamp            | 4    |         | 10             |
| 6        | 35603HR8600          | 35603HR8600 | 35603HR8600 | 35603H99700          | 35603H99700 | 35603H99700 | 35603H997B0 | LAMP ASS'Y, RR turnsignal R        | 1    |         | 5              |
| 7        | 35604HR8600          | 35604HR8600 | 35604HR8600 | 35604H99700          | 35604H99700 | 35604H99700 | 35604H997B0 | LAMP ASS'Y, RR turnsignal L        | 1    |         | 5              |
| 8        | 09471H12113          | 09471H12113 | 09471H12113 | 09471H12113          | 09471H12113 | 09471H12113 | 09471H12113 | BULB, RR turnsignal lamp(12V, 10W) | 2    |         | 10             |
| 9        | 38610HL7300          | 38610HL7300 | 38610HL7300 | 38610HL7300          | 38610HL7300 | 38610HL7300 | 38610HL7300 | RELAY ASS'Y, turn signal           | 1    |         | 5              |

FIG.28

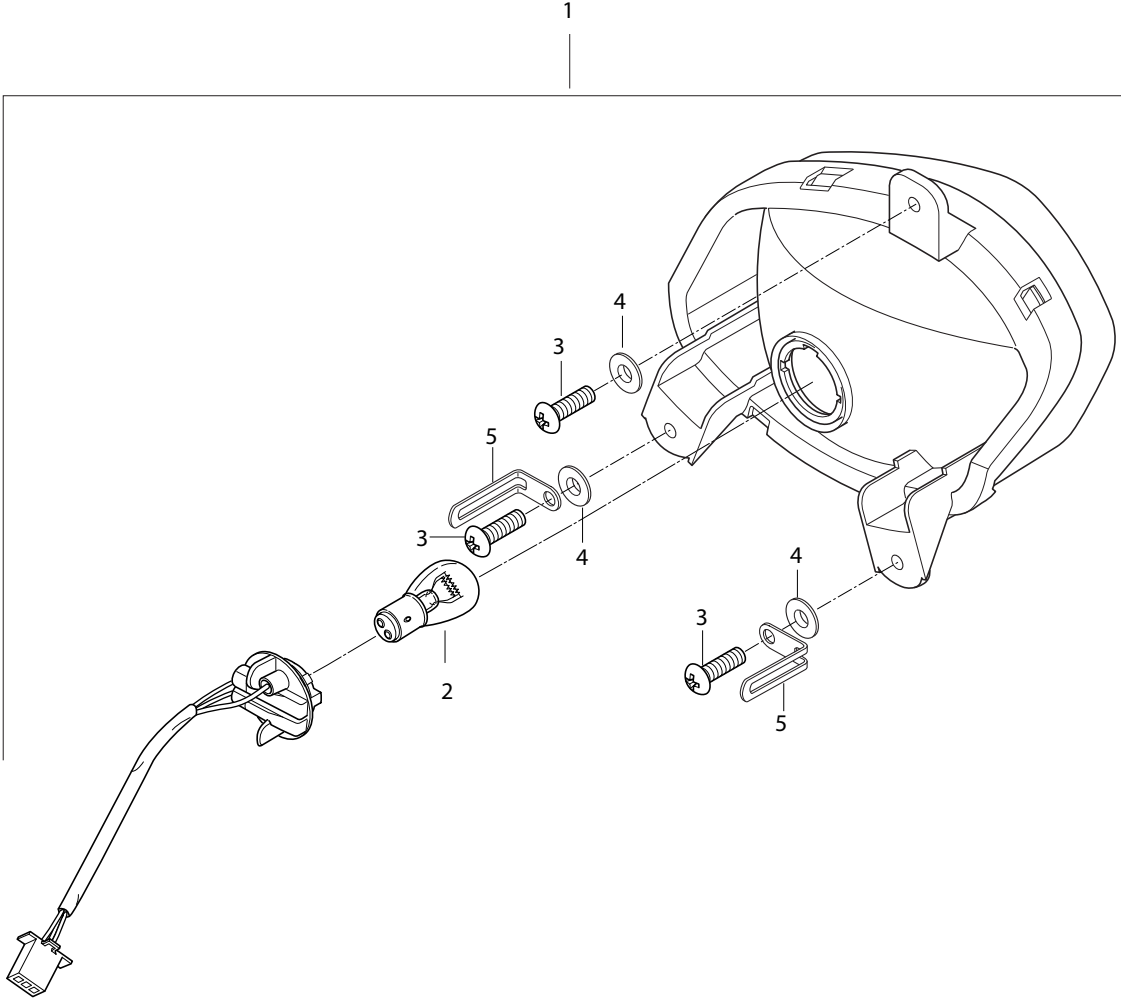


FWD

# FIG 28. WIRING HARNESS

| REF. NO. | GT650R - FI (2008)   |             |             | GT650RN - EI (2009)  |             |             |             | PART NAME                | Q'TY | REMARKS | REC.Q'TY (PCS) |
|----------|----------------------|-------------|-------------|----------------------|-------------|-------------|-------------|--------------------------|------|---------|----------------|
|          | 7EU01/7G01/7S01/7F01 | 7US02       | 8US01       | 9EU01/9G01/9S01/9F01 | BRAZIL      | 9AT02       | 9US02       |                          |      |         |                |
| 1        | 36610HR9700          | 36610HR9700 | 36610HR9700 | 36610H99700          | 36610H99700 | 36610H99700 | 36610H99700 | HARNES, wiring           | 1    |         | 5              |
| 2        | 38500HM8101          | 38500HM8101 | 38500HM8101 | 38500HM8101          | 38500HM8101 | 38500HM8101 | 38500HM8101 | HORN ASS'Y               | 1    |         | 5              |
| 3        | 37100HP9200          | 37100HP9200 | 37100HP9200 | 37100HP9200          | 37100HP9200 | 37100HP9200 | 37100HP9200 | LOCK ASSY, steering      | 1    |         | 5              |
| 4        | 01517-06308          | 01517-06308 | 01517-06308 | 01517-06308          | 01517-06308 | 01517-06308 | 01517-06308 | BOLT, steering lock      | 2    |         | 10             |
| 5        | 37740HN9100          | 37740HN9100 | 37740HN9100 | 37740HN9100          | 37740HN9100 | 37740HN9100 | 37740HN9100 | SWITCH ASS'Y, rear stop  | 1    |         | 5              |
| 6        | 09407-14403          | 09407-14403 | 09407-14403 | 09407-14403          | 09407-14403 | 09407-14403 | 09407-14403 | CLAMP, wiring harness    | 7    |         | 5              |
| 7        | 09106H06150          | 09106H06150 | 09106H06150 | 09106H06150          | 09106H06150 | 09106H06150 | 09106H06150 | SCREW, horn              | 1    |         | 5              |
| 8        | 09407-22402          | 09407-22402 | 09407-22402 | 09407-22402          | 09407-22402 | 09407-22402 | 09407-22402 | CLAMP, wiring harness    | 1    |         | 10             |
| 9        | 09443-06012          | 09443-06012 | 09443-06012 | 09443-06012          | 09443-06012 | 09443-06012 | 09443-06012 | SPRING                   | 1    |         | 10             |
| 10       | 09407-254A1          | 09407-254A1 | 09407-254A1 | 09407-254A1          | 09407-254A1 | 09407-254A1 | 09407-254A1 | CLAMP, wiring harness    | 1    |         | 5              |
| 11       | 09404-06404          | 09404-06404 | 09404-06404 | 09404-06404          | 09404-06404 | 09404-06404 | 09404-06404 | CLAMP, steering leadwire | 1    |         | 5              |
| 12       | 37890HP9300          | 37890HP9300 | 37890HP9300 | 37890HP9300          | 37890HP9300 | 37890HP9300 | 37890HP9300 | SENSOR, tip over         | 1    |         | 5              |
| 13       | 09160H04005          | 09160H04005 | 09160H04005 | 09160H04005          | 09160H04005 | 09160H04005 | 09160H04005 | WASHER, tip over sensor  | 4    |         | 20             |
| 14       | 09125H04025          | 09125H04025 | 09125H04025 | 09125H04025          | 09125H04025 | 09125H04025 | 09125H04025 | SCREW, tip over sensor   | 2    |         | 10             |
| 15       | 17660HR9700          | 17660HR9700 | 17660HR9700 | 17660H89700          | 17660H89700 | 17660H89700 | 17660H89700 | LEADWIRE, sensor part    | 1    |         | 10             |

FIG 29 (2008)

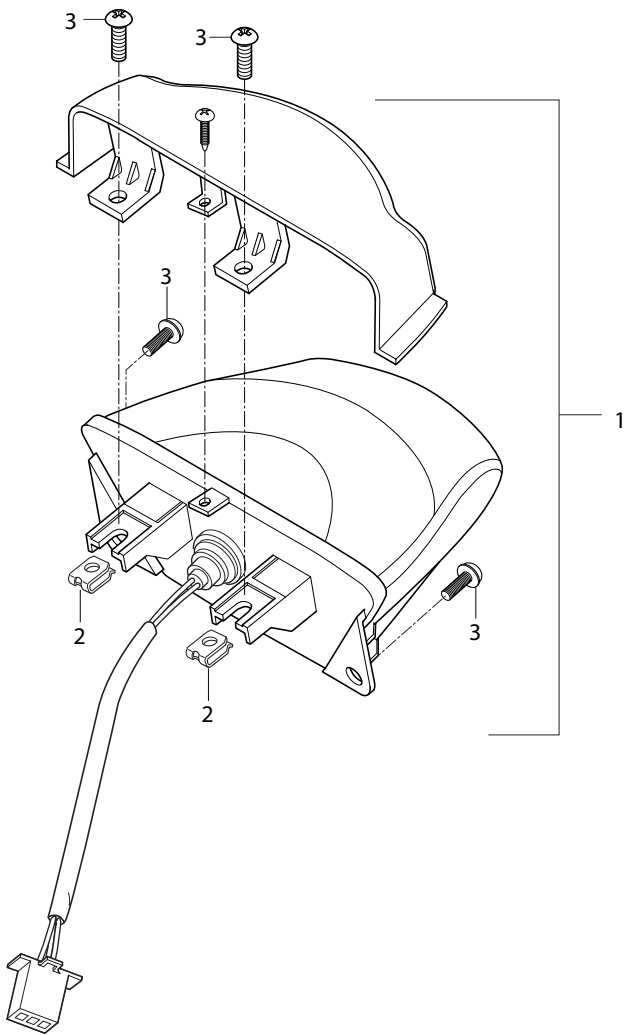




## FIG 29. REAR COMBINATION(2008)

| REF.<br>NO. | GT650R - FI (2008)   |             |             | GT650RN - EI (2009)  |        |       |       | PART NAME                     | Q'TY | REMARKS | REC.Q'TY<br>(PCS) |
|-------------|----------------------|-------------|-------------|----------------------|--------|-------|-------|-------------------------------|------|---------|-------------------|
|             | 7EU01/7G01/7S01/7F01 | 7US02       | 8US01       | 9EU01/9G01/9S01/9F01 | BRAZIL | 9AT02 | 9US02 |                               |      |         |                   |
| 1           | 35710HM8152          | 35710HM8152 | 35710HM8152 |                      |        |       |       | LAMP ASS'Y, tail & stop       | 1    |         | 5                 |
| 2           | 09471-12046          | 09471-12046 | 09471-12046 |                      |        |       |       | BULB, tail & stop(12V P21/5W) | 1    |         | 10                |
| 3           | 03241-05166          | 03241-05166 | 03241-05166 |                      |        |       |       | SCREW, tail & stop            | 3    |         | 15                |
| 4           | 09160-05017          | 09160-05017 | 09160-05017 |                      |        |       |       | WASHER, tail & stop           | 3    |         | 15                |
| 5           | 09404-06401          | 09404-06401 | 09404-06401 |                      |        |       |       | CLAMP, tail & stop            | 2    |         | 10                |

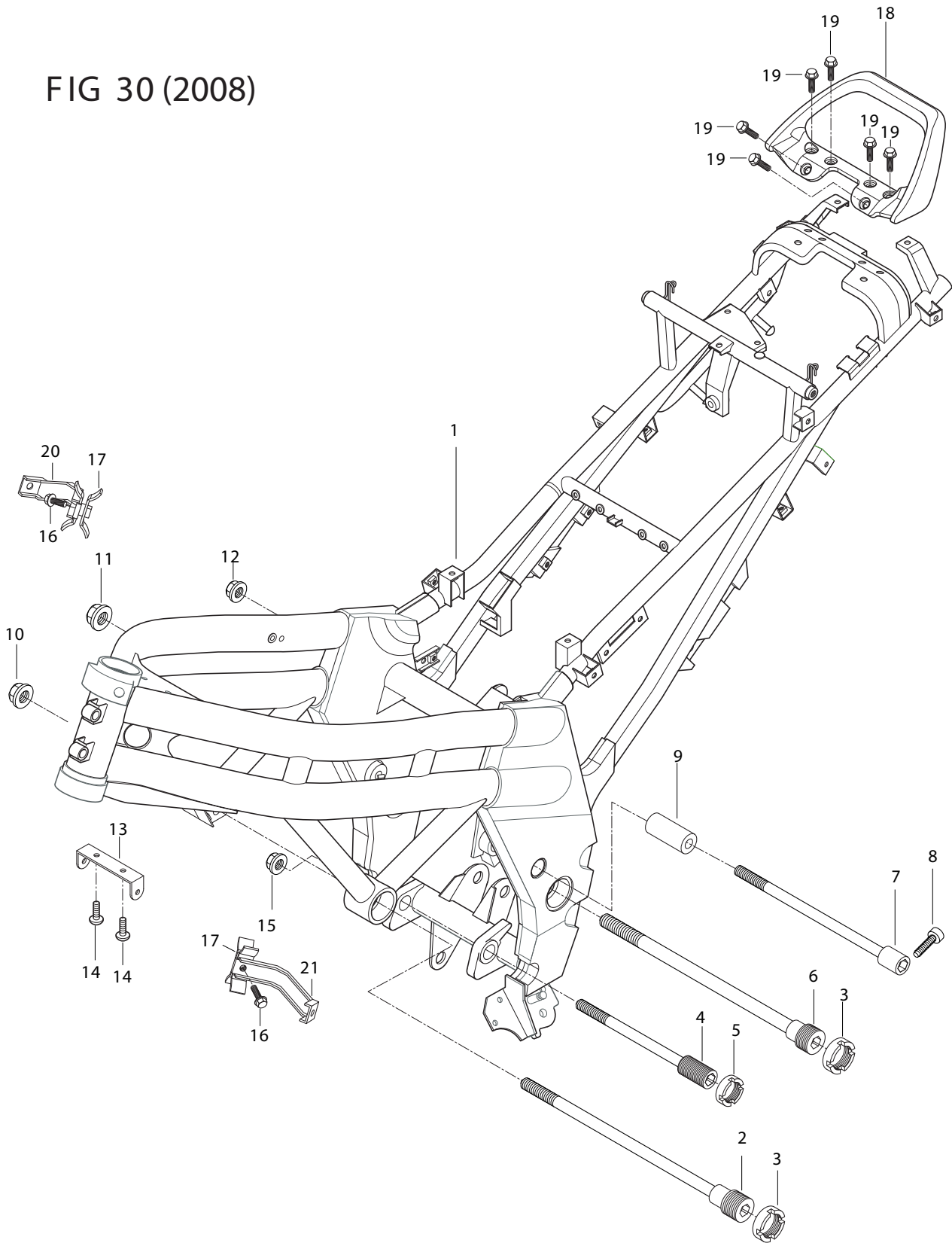
FIG 29 (2009)



## FIG 29. REAR COMBINATION (2009)

| REF.<br>NO. | GT650R - FI (2008)   |       |       | GT650RN - EI (2009)  |             |             |             | PART NAME               | Q'TY | REMARKS | REC.Q'TY<br>(PCS) |
|-------------|----------------------|-------|-------|----------------------|-------------|-------------|-------------|-------------------------|------|---------|-------------------|
|             | 7EU01/7G01/7S01/7F01 | 7US02 | 8US01 | 9EU01/9G01/9S01/9F01 | BRAZIL      | 9AT02       | 9US02       |                         |      |         |                   |
| 1           |                      |       |       | 35710H99700          | 35710H99700 | 35710H99700 | 35710H99700 | LAMP ASS'Y, tail & stop | 1    |         | 5                 |
| 2           |                      |       |       | 09148-06020          | 09148-06020 | 09148-06020 | 09148-06020 | NUT, tail & stop        | 2    |         | 10                |
| 3           |                      |       |       | 02142-06125          | 02142-06125 | 02142-06125 | 02142-06125 | BOLT, tail & stop       | 4    |         | 15                |

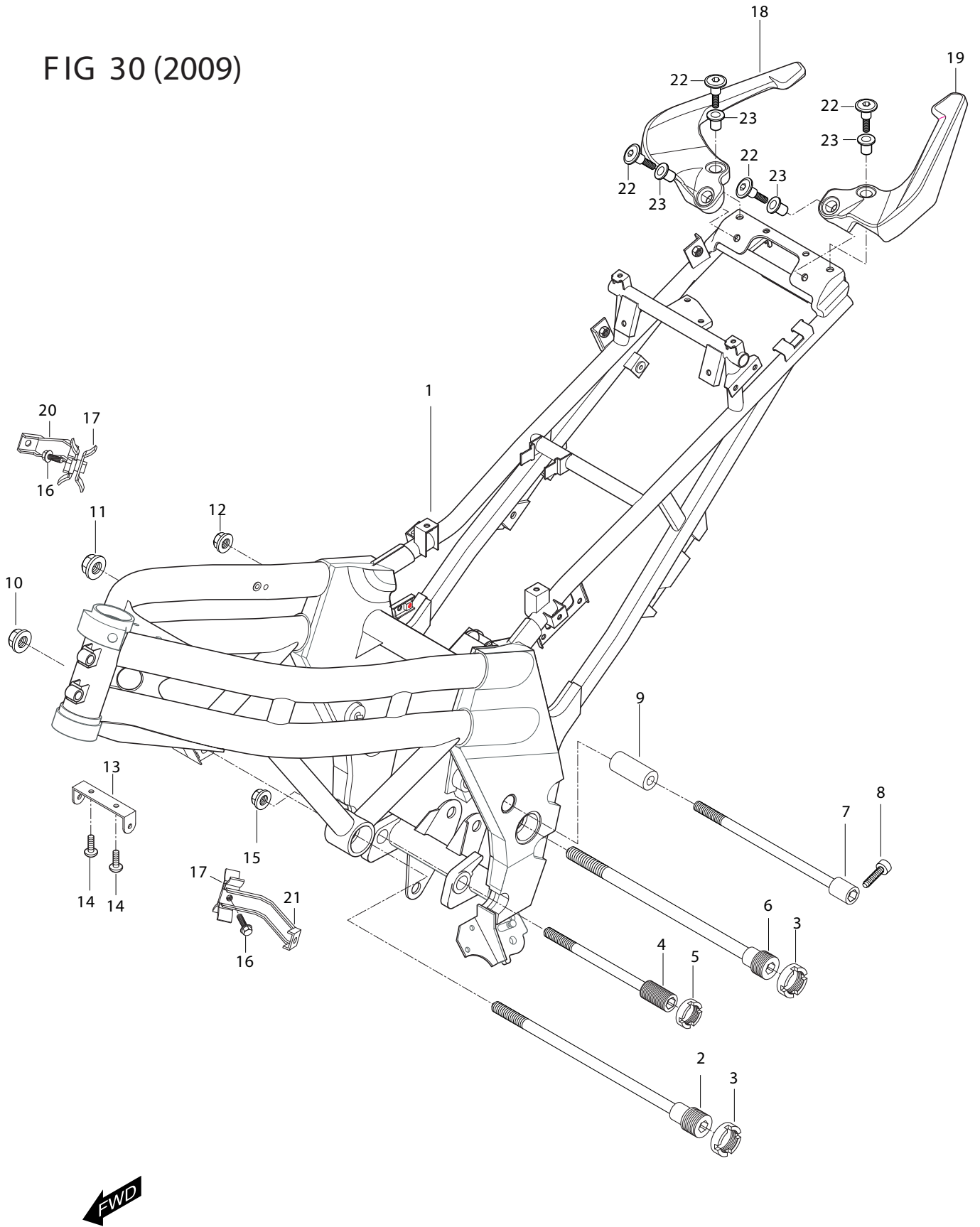
FIG 30 (2008)



## FIG 30. FRAME(2008)

| REF.<br>NO. | GT650R - FI (2008)   |                |                | GT650RN - EI (2009)  |        |       |       | PART NAME                                 | Q'TY | REMARKS | REC.Q'TY<br>(PCS) |
|-------------|----------------------|----------------|----------------|----------------------|--------|-------|-------|---|------|---------|-------------------|
|             | 7EU01/7G01/7S01/7F01 | 7US02          | 8US01          | 9EU01/9G01/9S01/9F01 | BRAZIL | 9AT02 | 9US02 |   |      |         |                   |
| 1           | 41100HR9700PAM       | 41100HR9760PAM | 41100HR9760PAM |                      |        |       |       | FRAME COMP(GT650R)                        | 1    |         | 3                 |
| 2           | 41165HN9101          | 41165HN9101    | 41165HN9101    |                      |        |       |       | SHAFT, engine mounting link               | 1    |         | 5                 |
| 3           | 09141H26001          | 09141H26001    | 09141H26001    |                      |        |       |       | LOCK NUT, engine mounting link & shaft    | 1    |         | 10                |
| 4           | 41191HN9101          | 41191HN9101    | 41191HN9101    |                      |        |       |       | SHAFT, engine mounting RR lower           | 2    |         | 5                 |
| 5           | 09141H20001          | 09141H20001    | 09141H20001    |                      |        |       |       | LOCK NUT, engine mounting RR lower        | 1    |         | 5                 |
| 6           | 61211HN9101          | 61211HN9101    | 61211HN9101    |                      |        |       |       | SHAFT, RR swinggarm pivot                 | 1    |         | 5                 |
| 7           | 41181HN9101          | 41181HN9101    | 41181HN9101    |                      |        |       |       | SHAFT, engine mounting RR upper           | 1    |         | 5                 |
| 8           | 07110-08258          | 07110-08258    | 07110-08258    |                      |        |       |       | BOLT, frame & engine mounting adjuster    | 1    |         | 55                |
| 9           | 41185HN9100          | 41185HN9100    | 41185HN9100    |                      |        |       |       | SPACER, frame & engine mounting adjuster  | 1    |         | 5                 |
| 10          | 08319-31128          | 08319-31128    | 08319-31128    |                      |        |       |       | NUT, engine mounting link shaft           | 1    |         | 10                |
| 11          | 08319-31108          | 08319-31108    | 08319-31108    |                      |        |       |       | NUT, frame & engine RR upper              | 1    |         | 20                |
| 12          | 09148H14008          | 09148H14008    | 09148H14008    |                      |        |       |       | NUT, RR swingarm pivot                    | 1    |         | 10                |
| 13          | 41772HN9101          | 41772HN9101    | 41772HN9101    |                      |        |       |       | BRKT, radiator upper                      | 1    |         | 5                 |
| 14          | 02142-06126          | 02142-06126    | 02142-06126    |                      |        |       |       | SCREW, radiator upper brkt                | 1    |         | 15                |
| 15          | 08319-31108          | 08319-31108    | 08319-31108    |                      |        |       |       | NUT, frame & engine RR lower              | 2    |         | 20                |
| 16          | 01137-06206          | 01137-06206    | 01137-06206    |                      |        |       |       | BOLT, frame & body side cowling R/L       | 1    |         | 5                 |
| 17          | 94417HP9200          | 94417HP9200    | 94417HP9200    |                      |        |       |       | PLATE COMP, frame & body side cowling R/L | 1    |         | 5                 |
| 18          | 47510HP9200          | 47510HP9200    | 47510HP9200    |                      |        |       |       | RIDER, pillion                            | 1    |         | 10                |
| 19          | 09106H08230          | 09106H08230    | 09106H08230    |                      |        |       |       | BOLT, pillion rider                       | 2    |         | 10                |
| 20          | 94478HP9203          | 94478HP9203    | 94478HP9203    |                      |        |       |       | BRACKET COMP, frame & body side cowling R | 1    |         | 5                 |
| 21          | 94479HP9203          | 94479HP9203    | 94479HP9203    |                      |        |       |       | BRACKET COMP, frame & body side cowling L | 1    |         | 5                 |

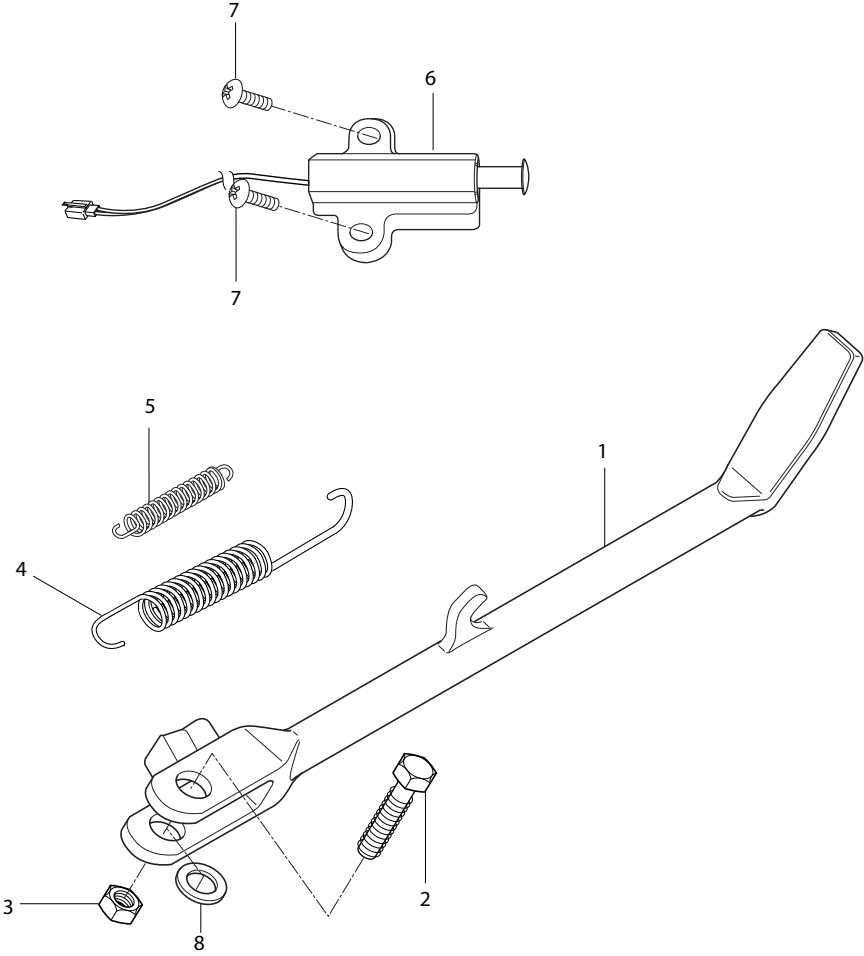
FIG 30 (2009)



## FIG 30. FRAME (2009)

| REF.<br>NO. | GT650R - FI (2008)   |       |       | GT650RN - EI (2009)  |                |                |                | PART NAME                                 | Q'TY | REMARKS | REC.Q'TY<br>(PCS) |
|-------------|----------------------|-------|-------|----------------------|----------------|----------------|----------------|---|------|---------|-------------------|
|             | 7EU01/7G01/7S01/7F01 | 7US02 | 8US01 | 9EU01/9G01/9S01/9F01 | BRAZIL         | 9AT02          | 9US02          |   |      |         |                   |
| 1           |                      |       |       | 41100H99700          | 41100H99700PAM | 41100H99700PAM | 41100H99700PAM | FRAME COMP(GT650RN)                       | 1    |         | 3                 |
| 2           |                      |       |       | 41165HN9101          | 41165HN9101    | 41165HN9101    | 41165HN9101    | SHAFT, engine mounting link               | 1    |         | 5                 |
| 3           |                      |       |       | 09141H26001          | 09141H26001    | 09141H26001    | 09141H26001    | LOCK NUT, engine mounting link & shaft    | 1    |         | 10                |
| 4           |                      |       |       | 41191HN9101          | 41191HN9101    | 41191HN9101    | 41191HN9101    | SHAFT, engine mounting RR lower           | 2    |         | 5                 |
| 5           |                      |       |       | 09141H20001          | 09141H20001    | 09141H20001    | 09141H20001    | LOCK NUT, engine mounting RR lower        | 1    |         | 5                 |
| 6           |                      |       |       | 61211HN9101          | 61211HN9101    | 61211HN9101    | 61211HN9101    | SHAFT, RR swinggarm pivot                 | 1    |         | 5                 |
| 7           |                      |       |       | 41181HN9101          | 41181HN9101    | 41181HN9101    | 41181HN9101    | SHAFT, engine mounting RR upper           | 1    |         | 5                 |
| 8           |                      |       |       | 07110-08258          | 07110-08258    | 07110-08258    | 07110-08258    | BOLT, frame & engine mounting adjuster    | 1    |         | 55                |
| 9           |                      |       |       | 41185HN9100          | 41185HN9100    | 41185HN9100    | 41185HN9100    | SPACER, frame & engine mounting adjuster  | 1    |         | 5                 |
| 10          |                      |       |       | 08319-31128          | 08319-31128    | 08319-31128    | 08319-31128    | NUT, engine mounting link shaft           | 1    |         | 10                |
| 11          |                      |       |       | 08319-31108          | 08319-31108    | 08319-31108    | 08319-31108    | NUT, frame & engine RR upper              | 1    |         | 20                |
| 12          |                      |       |       | 09148H14008          | 09148H14008    | 09148H14008    | 09148H14008    | NUT, RR swinggarm pivot                   | 1    |         | 10                |
| 13          |                      |       |       | 41772HN9101          | 41772HN9101    | 41772HN9101    | 41772HN9101    | BRKT, radiator upper                      | 1    |         | 5                 |
| 14          |                      |       |       | 02142-06126          | 02142-06126    | 02142-06126    | 02142-06126    | SCREW, radiator upper brkt                | 1    |         | 15                |
| 15          |                      |       |       | 08319-31108          | 08319-31108    | 08319-31108    | 08319-31108    | NUT, frame & engine RR lower              | 2    |         | 20                |
| 16          |                      |       |       | 01137-06206          | 01137-06206    | 01137-06206    | 01137-06206    | BOLT, frame & body side cowling R/L       | 1    |         | 5                 |
| 17          |                      |       |       | 94417HP9200          | 94417HP9200    | 94417HP9200    | 94417HP9200    | PLATE COMP, frame & body side cowling R/L | 2    |         | 5                 |
| 18          |                      |       |       | 47511H99701          | 47511H99701    | 47511H99701    | 47511H99701    | GRIP, pillion rider R                     | 2    |         | 10                |
| 19          |                      |       |       | 47521H99701          | 47521H99701    | 47521H99701    | 47521H99701    | GRIP, pillion rider L                     | 1    |         | 10                |
| 20          |                      |       |       | 94478HP9203          | 94478HP9203    | 94478HP9203    | 94478HP9203    | BRACKET COMP, frame & body side cowling R | 1    |         | 5                 |
| 21          |                      |       |       | 94479HP9203          | 94479HP9203    | 94479HP9203    | 94479HP9203    | BRACKET COMP, frame & body side cowling L | 1    |         | 5                 |
| 22          |                      |       |       | 09106H08308          | 09106H08308    | 09106H08308    | 09106H08308    | BOLT, pillion rider                       | 1    |         |                   |
| 23          |                      |       |       | 09169H10003          | 09169H10003    | 09169H10003    | 09169H10003    | SPACER, pillion grip                      | 4    |         |                   |

FIG 31



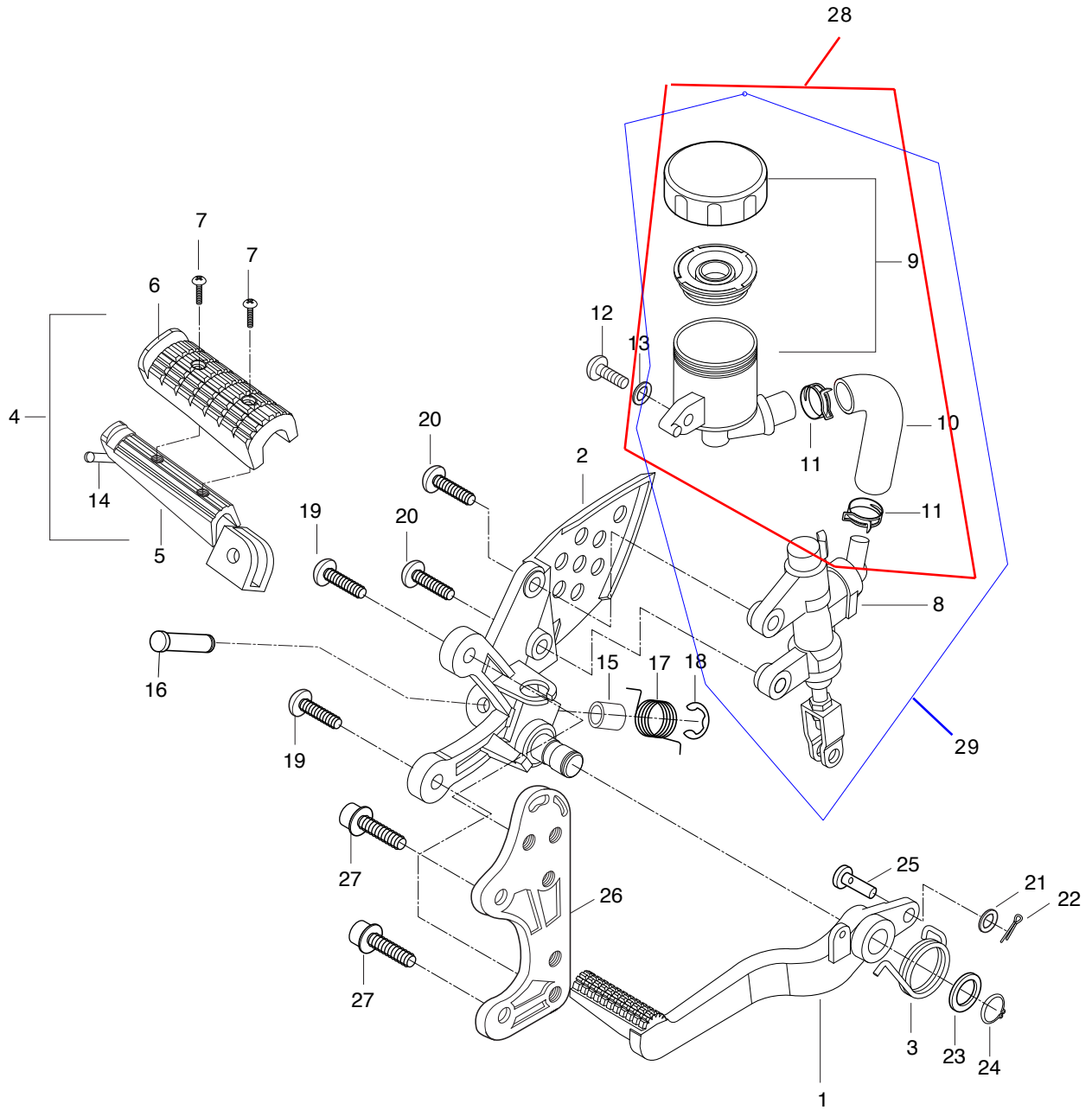
**FWD**



# FIG 31. PROP STAND

| REF.<br>NO. | GT650R - FI (2008)   |                |                | GT650RN - EI (2009)  |                |                |                | PART NAME                      | Q'TY | REMARKS | REC.Q'TY<br>(PCS) |
|-------------|----------------------|----------------|----------------|----------------------|----------------|----------------|----------------|--------------------------------|------|---------|-------------------|
|             | 7EU01/7G01/7S01/7F01 | 7US02          | 8US01          | 9EU01/9G01/9S01/9F01 | BRAZIL         | 9AT02          | 9US02          |                                |      |         |                   |
| 1           | 42310HN9150120       | 42310HN9150120 | 42310HN9150120 | 42310HN9150120       | 42310HN9150120 | 42310HN9150120 | 42310HN9150120 | STAND COMP, prop               | 1    |         | 5                 |
| 2           | 09100-10031          | 09100-10031    | 09100-10031    | 09100-10031          | 09100-10031    | 09100-10031    | 09100-10031    | BOLT, prop stand               | 1    |         | 5                 |
| 3           | 08310-22106          | 08310-22106    | 08310-22106    | 08310-22106          | 08310-22106    | 08310-22106    | 08310-22106    | NUT, prop stand                | 1    |         | 5                 |
| 4           | 09443-15047          | 09443-15047    | 09443-15047    | 09443-15047          | 09443-15047    | 09443-15047    | 09443-15047    | SPRING, prop stand outter      | 1    |         | 5                 |
| 5           | 09443-06001          | 09443-06001    | 09443-06001    | 09443-06001          | 09443-06001    | 09443-06001    | 09443-06001    | SPRING, prop stand inner       | 1    |         | 5                 |
| 6           | 37840HN9102          | 37840HN9102    | 37840HN9102    | 37840HN9102          | 37840HN9102    | 37840HN9102    | 37840HN9102    | SWITCH ASS'Y, side stand       | 1    |         | 5                 |
| 7           | 01517-06205          | 01517-06205    | 01517-06205    | 01517-06205          | 01517-06205    | 01517-06205    | 01517-06205    | BOLT, side stand switch(M6X20) | 2    |         | 5                 |
| 8           | 08221-12225          | 08221-12225    | 08221-12225    | 08221-12225          | 08221-12225    | 08221-12225    | 08221-12225    | SHIM, prop stand               | 1    |         | 10                |

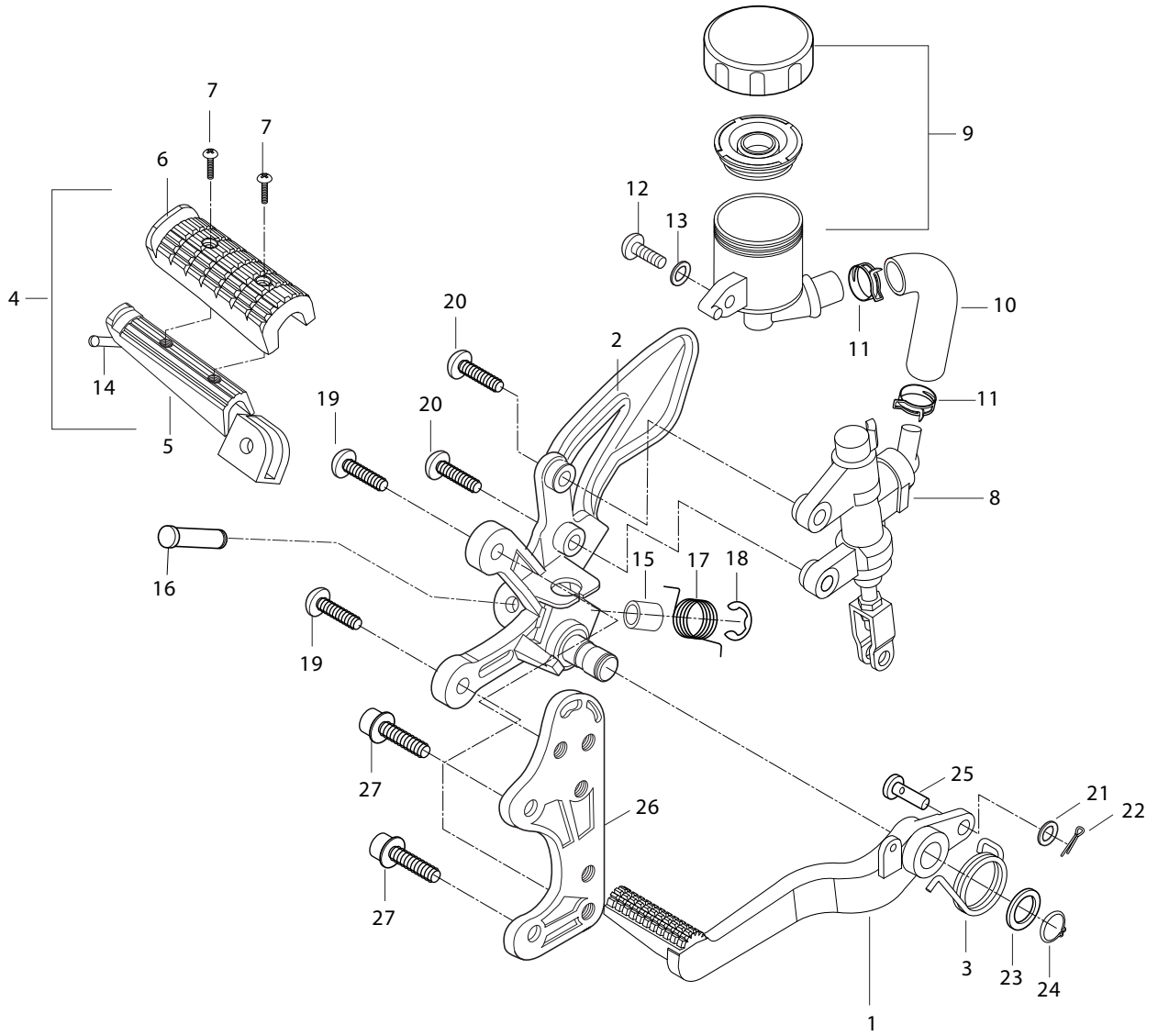
FIG 32 (2008)



## FIG 32. REAR BRAKE(2008)

| REF.<br>NO. | GT650R - FI (2008)   |                |                | GT650RN - EI (2009)  |        |       | PART NAME                        | Q'TY | REMARKS | REC.Q'TY<br>(PCS) |
|-------------|----------------------|----------------|----------------|----------------------|--------|-------|----------------------------------|------|---------|-------------------|
|             | 7EU01/7G01/7S01/7F01 | 7US02          | 8US01          | 9EU01/9G01/9S01/9F01 | BRAZIL | 9AT02 |                                  |      |         |                   |
| 1           | 43110HM810003P       | 43110HM810003P | 43110HM810003P |                      |        |       | PEDAL COMP, brake                | 1    |         | 5                 |
| 2           | 43530HM810603P       | 43530HM810603P | 43530HM810603P |                      |        |       | BRACKET COMP, front footrest R   | 1    |         | 5                 |
| 3           | 09448H30002          | 09448H30002    | 09448H30002    |                      |        |       | SPRING, brake pedal return       | 1    |         | 5                 |
| 4           | 43560HM8100          | 43560HM8100    | 43560HM8100    |                      |        |       | FOOTREST ASS'Y, front R          | 1    |         | 5                 |
| 5           | 43561HM8100          | 43561HM8100    | 43561HM8100    |                      |        |       | FOOTREST, bar front R            | 1    |         | 5                 |
| 6           | 43530H30A40          | 43530H30A40    | 43530H30A40    |                      |        |       | RUBBER COMP, front footrest R    | 1    |         | 5                 |
| 7           | 02112-05126          | 02112-05126    | 02112-05126    |                      |        |       | SCREW, front footrest            | 2    |         | 10                |
| 8           | 69600HM8101          | 69600HM8101    | 69600HM8101    |                      |        |       | CYLINDER ASS'Y rear master       | 1    |         | 5                 |
| 9           | 69740HN9100          | 69740HN9100    | 69740HN9100    |                      |        |       | TANK ASS'Y reser vior            | 1    |         | 5                 |
| 10          | 69700HM8101          | 69700HM8101    | 69700HM8101    |                      |        |       | HOSE ASS'Y reser vior            | 1    |         | 5                 |
| 11          | 09400H13001          | 09400H13001    | 09400H13001    |                      |        |       | CLMAP, reserver tank hose        | 2    |         | 5                 |
| 12          | 01517-06168          | 01517-06168    | 01517-06168    |                      |        |       | BOLT, reser vior tank            | 1    |         | 5                 |
| 13          | 09160-06019          | 09160-06019    | 09160-06019    |                      |        |       | WASHER, reser vior tank          | 1    |         | 5                 |
| 14          | 43533H30A40          | 43533H30A40    | 43533H30A40    |                      |        |       | BOLT, front footrest bar         | 1    |         | 5                 |
| 15          | 09180H08008          | 09180H08008    | 09180H08008    |                      |        |       | SPACER, front footrest           | 1    |         | 10                |
| 16          | 43579HM8101          | 43579HM8101    | 43579HM8101    |                      |        |       | PIN, front footrest              | 1    |         | 10                |
| 17          | 09448H14007          | 09448H14007    | 09448H14007    |                      |        |       | SPRING, front footrest           | 1    |         | 10                |
| 18          | 08332-11079          | 08332-11079    | 08332-11079    |                      |        |       | E-RING, front footrest           | 1    |         | 10                |
| 19          | 09106H08230          | 09106H08230    | 09106H08230    |                      |        |       | BOLT, front footrest bracket     | 2    |         | 15                |
| 20          | 09106H08230          | 09106H08230    | 09106H08230    |                      |        |       | BOLT, master cylinder            | 2    |         | 40                |
| 21          | 08322-21068          | 08322-21068    | 08322-21068    |                      |        |       | WASHER, rear master cylinder     | 1    |         | 5                 |
| 22          | 04111-20208          | 04111-20208    | 04111-20208    |                      |        |       | COTTER PIN, rear master cylinder | 1    |         | 10                |
| 23          | 09160H15002          | 09160H15002    | 09160H15002    |                      |        |       | WASHER, brake pedal              | 1    |         | 10                |
| 24          | 08331-31159          | 08331-31159    | 08331-31159    |                      |        |       | CIRCLIP, brake pedal             | 1    |         | 10                |
| 25          | 09200H06040          | 09200H06040    | 09200H06040    |                      |        |       | PIN, rear master cylinder        | 1    |         | 5                 |
| 26          | 43550HP9200          | 43550HP9200    | 43550HP9200    |                      |        |       | BRKT, front footrest back step R | 2    |         | 5                 |
| 27          | 07120-08258          | 07120-08258    | 07120-08258    |                      |        |       | BOLT, front footrest back step   | 2    |         | 40                |
| 28          | 69800HN9100          | 69800HN9100    | 69800HN9100    |                      |        |       | TANK SET reserver                | 1    |         | 5                 |
| 29          | 69609HN9100          | 69609HN9100    | 69609HN9100    |                      |        |       | CYLINDER SET, rear master        | 1    |         | 5                 |

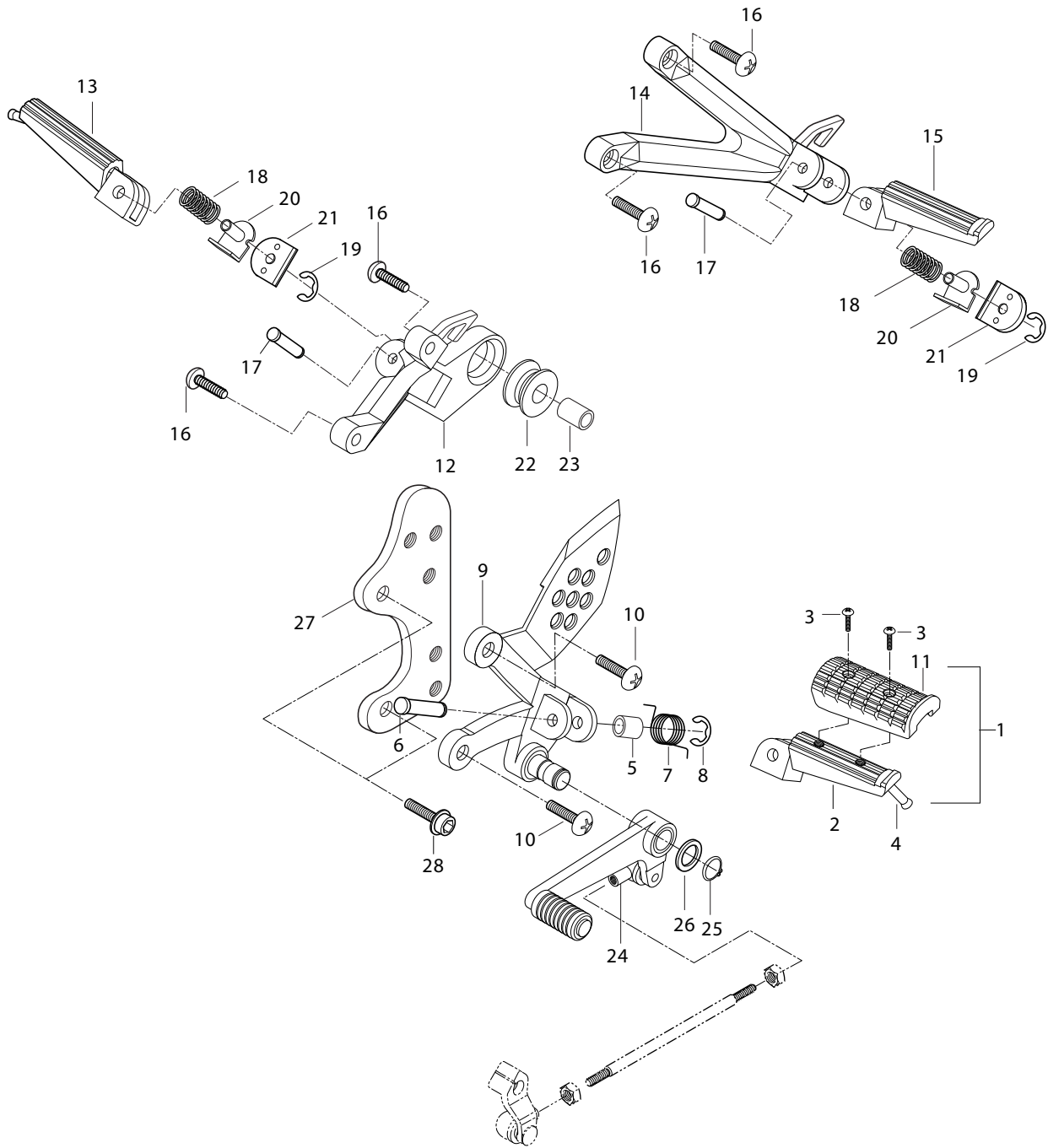
FIG 32 (2009)



## FIG 32. REAR BRAKE(2009)

| REF.<br>NO. | GT650R - FI (2008)   |       |       | GT650RN - EI (2009)  |             |             |             | PART NAME                        | Q'TY | REMARKS | REC.Q'TY<br>(PCS) |
|-------------|----------------------|-------|-------|----------------------|-------------|-------------|-------------|----------------------------------|------|---------|-------------------|
|             | 7EU01/7G01/7S01/7F01 | 7US02 | 8US01 | 9EU01/9G01/9S01/9F01 | BRAZIL      | 9AT02       | 9US02       |                                  |      |         |                   |
| 1           |                      |       |       | 43110HM8101          | 43110HM8101 | 43110HM8101 | 43110HM8101 | PEDAL COMP, brake                | 1    |         | 5                 |
| 2           |                      |       |       | 43530H99700          | 43530H99700 | 43530H99700 | 43530H99700 | BRACKET COMP, front footrest R   | 1    |         | 5                 |
| 3           |                      |       |       | 09448H30002          | 09448H30002 | 09448H30002 | 09448H30002 | SPRING, brake pedal return       | 1    |         | 5                 |
| 4           |                      |       |       | 43560HM8100          | 43560HM8100 | 43560HM8100 | 43560HM8100 | FOOTREST ASS'Y, front R          | 1    |         | 5                 |
| 5           |                      |       |       | 43561HM8100          | 43561HM8100 | 43561HM8100 | 43561HM8100 | FOOTREST, bar front R            | 1    |         | 5                 |
| 6           |                      |       |       | 43530H30A40          | 43530H30A40 | 43530H30A40 | 43530H30A40 | RUBBER COMP, front footrest R    | 1    |         | 5                 |
| 7           |                      |       |       | 02112-05126          | 02112-05126 | 02112-05126 | 02112-05126 | SCREW, front footrest            | 2    |         | 10                |
| 8           |                      |       |       | 69600HM8101          | 69600HM8101 | 69600HM8101 | 69600HM8101 | CYLINDER ASS'Y rear master       | 1    |         | 5                 |
| 9           |                      |       |       | 69740HN9100          | 69740HN9100 | 69740HN9100 | 69740HN9100 | TANK ASS'Y reser vior            | 1    |         | 5                 |
| 10          |                      |       |       | 69700HM8101          | 69700HM8101 | 69700HM8101 | 69700HM8101 | HOSE ASS'Y reser vior            | 1    |         | 5                 |
| 11          |                      |       |       | 09400H13001          | 09400H13001 | 09400H13001 | 09400H13001 | CLMAP, reserver tank hose        | 2    |         | 5                 |
| 12          |                      |       |       | 01517-06168          | 01517-06168 | 01517-06168 | 01517-06168 | BOLT, reser vior tank            | 1    |         | 5                 |
| 13          |                      |       |       | 09160-06019          | 09160-06019 | 09160-06019 | 09160-06019 | WASHER, reser vior tank          | 1    |         | 5                 |
| 14          |                      |       |       | 43533H30A40          | 43533H30A40 | 43533H30A40 | 43533H30A40 | BOLT, front footrest bar         | 1    |         | 5                 |
| 15          |                      |       |       | 09180H08008          | 09180H08008 | 09180H08008 | 09180H08008 | SPACER, front footrest           | 1    |         | 10                |
| 16          |                      |       |       | 43579HM8101          | 43579HM8101 | 43579HM8101 | 43579HM8101 | PIN, front footrest              | 1    |         | 10                |
| 17          |                      |       |       | 09448H14007          | 09448H14007 | 09448H14007 | 09448H14007 | SPRING, front footrest           | 1    |         | 10                |
| 18          |                      |       |       | 08332-11079          | 08332-11079 | 08332-11079 | 08332-11079 | E-RING, front footrest           | 1    |         | 10                |
| 19          |                      |       |       | 09106H08230          | 09106H08230 | 09106H08230 | 09106H08230 | BOLT, front footrest bracket     | 2    |         | 15                |
| 20          |                      |       |       | 09106H08230          | 09106H08230 | 09106H08230 | 09106H08230 | BOLT, master cylinder            | 2    |         | 40                |
| 21          |                      |       |       | 08322-21068          | 08322-21068 | 08322-21068 | 08322-21068 | WASHER, rear master cylinder     | 1    |         | 5                 |
| 22          |                      |       |       | 04111-20208          | 04111-20208 | 04111-20208 | 04111-20208 | COTTER PIN, rear master cylinder | 1    |         | 10                |
| 23          |                      |       |       | 09160H15002          | 09160H15002 | 09160H15002 | 09160H15002 | WASHER, brake pedal              | 1    |         | 10                |
| 24          |                      |       |       | 08331-31159          | 08331-31159 | 08331-31159 | 08331-31159 | CIRCLIP, brake pedal             | 1    |         | 10                |
| 25          |                      |       |       | 09200H06040          | 09200H06040 | 09200H06040 | 09200H06040 | PIN, rear master cylinder        | 1    |         | 5                 |
| 26          |                      |       |       | 43550HP9201          | 43550HP9201 | 43550HP9201 | 43550HP9201 | BRKT, front footrest back step R | 2    |         | 5                 |
| 27          |                      |       |       | 07120-08258          | 07120-08258 | 07120-08258 | 07120-08258 | BOLT, front footrest back step   | 1    |         | 40                |

FIG 33 (2008)



FWD

## FIG 33. FOOTREST(2008)

| REF.<br>NO. | GT650R - FI (2008)   |                |                | GT650RN - EI (2009)  |        |       |       | PART NAME                        | Q'TY | REMARKS | REC.Q'TY<br>(PCS) |
|-------------|----------------------|----------------|----------------|----------------------|--------|-------|-------|----------------------------------|------|---------|-------------------|
|             | 7EU01/7G01/7S01/7F01 | 7US02          | 8US01          | 9EU01/9G01/9S01/9F01 | BRAZIL | 9AT02 | 9US02 |                                  |      |         |                   |
| 1           | 43570HM8100          | 43570HM8100    | 43570HM8100    |                      |        |       |       | FOOTREST ASSY, front L           | 1    |         | 5                 |
| 2           | 43571HM8100          | 43571HM8100    | 43571HM8100    |                      |        |       |       | FOOTREST BAR, front L            | 1    |         |                   |
| 3           | 02112-05126          | 02112-05126    | 02112-05126    |                      |        |       |       | SCREW, front footrest            | 2    |         |                   |
| 4           | 43533H30A40          | 43533H30A40    | 43533H30A40    |                      |        |       |       | BOLT, front footrest bar         | 1    |         |                   |
| 5           | 09180H08008          | 09180H08008    | 09180H08008    |                      |        |       |       | SPACER, front footrest           | 1    |         | 10                |
| 6           | 43579HM8101          | 43579HM8101    | 43579HM8101    |                      |        |       |       | PIN, front footrest bar          | 1    |         | 10                |
| 7           | 09448H14007          | 09448H14007    | 09448H14007    |                      |        |       |       | SPRING, front footrest           | 1    |         | 10                |
| 8           | 08332-11079          | 08332-11079    | 08332-11079    |                      |        |       |       | E-RING, front footrest           | 1    |         | 10                |
| 9           | 43540HM8103          | 43540HM8103    | 43540HM8103    |                      |        |       |       | BRACKET COMP, front footrest L   | 1    |         | 5                 |
| 10          | 09106H08230          | 09106H08230    | 09106H08230    |                      |        |       |       | BOLT, front footrest bracket     | 2    |         | 40                |
| 11          | 43532H30A40          | 43532H30A40    | 43532H30A40    |                      |        |       |       | RUBBER, front footrest           | 1    |         |                   |
| 12          | 43621HM8103          | 43621HM8103    | 43621HM8103    |                      |        |       |       | BRACKET, pillion footrest R      | 1    |         |                   |
| 13          | 43661HM8101          | 43661HM8101    | 43661HM8101    |                      |        |       |       | FOOTREST BAR, pillion R          | 1    |         | 5                 |
| 14          | 43721HM810403P       | 43721HM810403P | 43721HM810403P |                      |        |       |       | BRACKET, pillion footrest L      | 1    |         | 5                 |
| 15          | 43671HM8101          | 43671HM8101    | 43671HM8101    |                      |        |       |       | FOOTREST BAR, pillion L          | 1    |         | 5                 |
| 16          | 09106H08230          | 09106H08230    | 09106H08230    |                      |        |       |       | BOLT, pillion footrest bracket   | 4    |         | 5                 |
| 17          | 43679HM8101          | 43679HM8101    | 43679HM8101    |                      |        |       |       | PIN, pillion footrest            | 2    |         | 40                |
| 18          | 09448H08008          | 09448H08008    | 09448H08008    |                      |        |       |       | SPRING, pillion footrest         | 2    |         | 10                |
| 19          | 08332-11048          | 08332-11048    | 08332-11048    |                      |        |       |       | E-RING, pillion footrest         | 2    |         | 10                |
| 20          | 43631HM8101          | 43631HM8101    | 43631HM8101    |                      |        |       |       | PLATE, pillion stopper No.1      | 2    |         | 10                |
| 21          | 43641HM8101          | 43641HM8101    | 43641HM8101    |                      |        |       |       | PLATE, pillion stopper No.2      | 2    |         | 10                |
| 22          | 09320-14015          | 09320-14015    | 09320-14015    |                      |        |       |       | CUSHION, muffler support         | 1    |         | 10                |
| 23          | 09180-10044          | 09180-10044    | 09180-10044    |                      |        |       |       | SPACER, muffler support          | 1    |         | 5                 |
| 24          | 25611HM8100          | 25611HM8100    | 25611HM8100    |                      |        |       |       | LEVER COMP, gear shift cam       | 1    |         | 5                 |
| 25          | 08331-31159          | 08331-31159    | 08331-31159    |                      |        |       |       | CIRCLIP, gear shift lever        | 1    |         |                   |
| 26          | 09160H15002          | 09160H15002    | 09160H15002    |                      |        |       |       | WASHER, gear shift leve          | 1    |         | 10                |
| 27          | 43560HP9200          | 43560HP9200    | 43560HP9200    |                      |        |       |       | BRKT, front footrest back step L | 2    |         | 10                |
| 28          | 07120-08258          | 07120-08258    | 07120-08258    |                      |        |       |       | BOLT, front footrest back step   | 1    |         |                   |

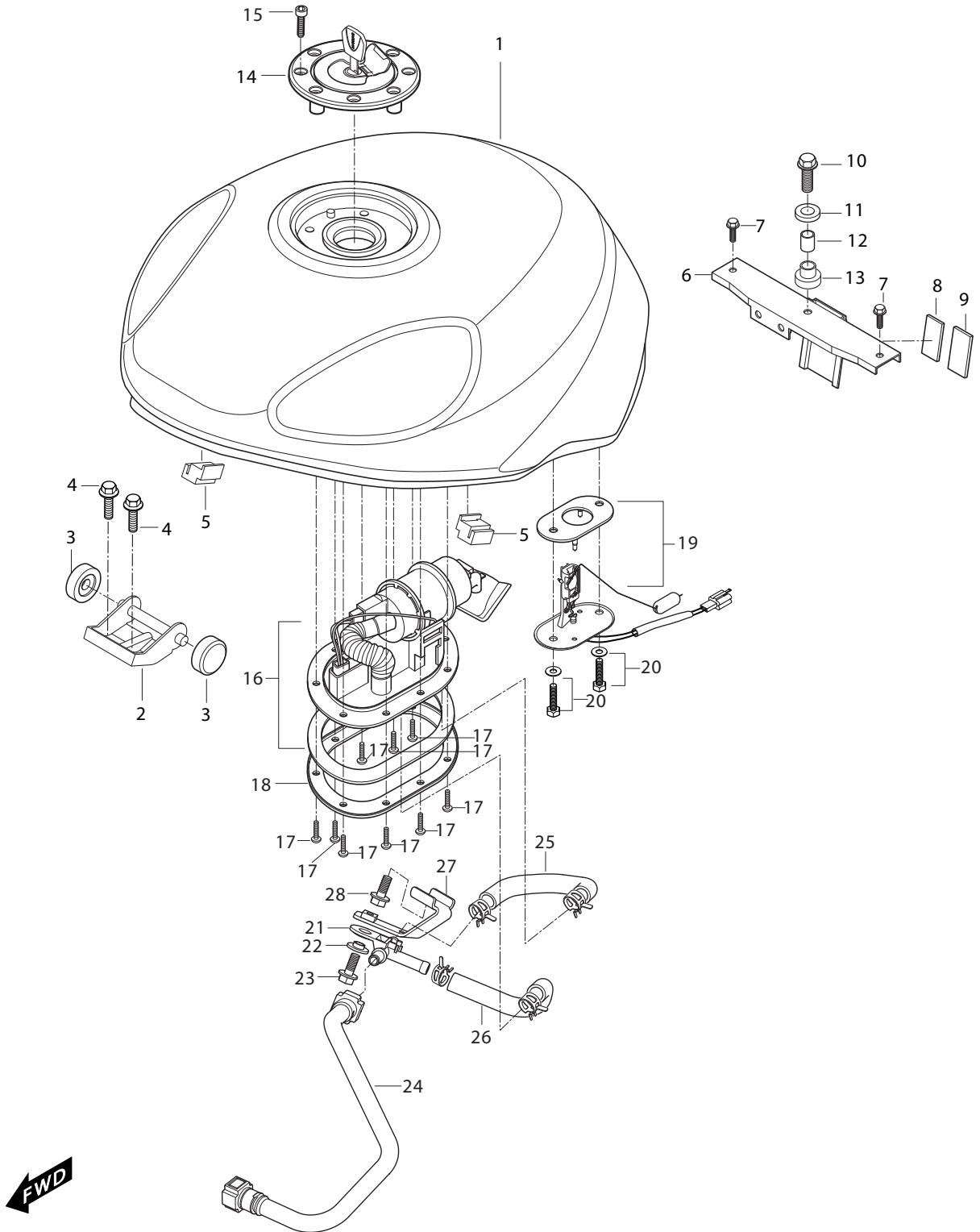




## FIG 33. FOOTREST(2009)

| REF.<br>NO. | GT650R - FI (2008)   |       |       | GT650RN - EI (2009)  |             |             |             | PART NAME                        | Q'TY | REMARKS | REC.Q'TY<br>(PCS) |
|-------------|----------------------|-------|-------|----------------------|-------------|-------------|-------------|----------------------------------|------|---------|-------------------|
|             | 7EU01/7G01/7S01/7F01 | 7US02 | 8US01 | 9EU01/9G01/9S01/9F01 | BRAZIL      | 9AT02       | 9US02       |                                  |      |         |                   |
| 1           |                      |       |       | 43570HM8100          | 43570HM8100 | 43570HM8100 | 43570HM8100 | FOOTREST ASSY, front L           | 1    |         | 5                 |
| 2           |                      |       |       | 43571HM8100          | 43571HM8100 | 43571HM8100 | 43571HM8100 | FOOTREST BAR, front L            | 1    |         |                   |
| 3           |                      |       |       | 02112-05126          | 02112-05126 | 02112-05126 | 02112-05126 | SCREW, front footrest            | 2    |         |                   |
| 4           |                      |       |       | 43533H30A40          | 43533H30A40 | 43533H30A40 | 43533H30A40 | BOLT, front footrest bar         | 1    |         |                   |
| 5           |                      |       |       | 09180H08008          | 09180H08008 | 09180H08008 | 09180H08008 | SPACER, front footrest           | 1    |         | 10                |
| 6           |                      |       |       | 43579HM8101          | 43579HM8101 | 43579HM8101 | 43579HM8101 | PIN, front footrest bar          | 1    |         | 10                |
| 7           |                      |       |       | 09448H14007          | 09448H14007 | 09448H14007 | 09448H14007 | SPRING, front footrest           | 1    |         | 10                |
| 8           |                      |       |       | 08332-11079          | 08332-11079 | 08332-11079 | 08332-11079 | E-RING, front footrest           | 1    |         | 10                |
| 9           |                      |       |       | 43540H99700          | 43540H99700 | 43540H99700 | 43540H99700 | BRACKET COMP, front footrest L   | 1    |         | 5                 |
| 10          |                      |       |       | 09106H08230          | 09106H08230 | 09106H08230 | 09106H08230 | BOLT, front footrest bracket     | 2    |         | 40                |
| 11          |                      |       |       | 43532H30A40          | 43532H30A40 | 43532H30A40 | 43532H30A40 | RUBBER, front footrest           | 1    |         |                   |
| 12          |                      |       |       | 43621H99700          | 43621H99700 | 43621H99700 | 43621H99700 | BRACKET, pillion footrest R      | 1    |         |                   |
| 13          |                      |       |       | 43661HM8101          | 43661HM8101 | 43661HM8101 | 43661HM8101 | FOOTREST BAR, pillion R          | 1    |         | 5                 |
| 14          |                      |       |       | 43721H99700          | 43721H99700 | 43721H99700 | 43721H99700 | BRACKET, pillion footrest L      | 1    |         | 5                 |
| 15          |                      |       |       | 43671HM8101          | 43671HM8101 | 43671HM8101 | 43671HM8101 | FOOTREST BAR, pillion L          | 1    |         | 5                 |
| 16          |                      |       |       | 09106H08230          | 09106H08230 | 09106H08230 | 09106H08230 | BOLT, pillion footrest bracket   | 4    |         | 5                 |
| 17          |                      |       |       | 43679HM8101          | 43679HM8101 | 43679HM8101 | 43679HM8101 | PIN, pillion footrest            | 2    |         | 40                |
| 18          |                      |       |       | 09448H08008          | 09448H08008 | 09448H08008 | 09448H08008 | SPRING, pillion footrest         | 2    |         | 10                |
| 19          |                      |       |       | 08332-11048          | 08332-11048 | 08332-11048 | 08332-11048 | E-RING, pillion footrest         | 2    |         | 10                |
| 20          |                      |       |       | 43631HM8101          | 43631HM8101 | 43631HM8101 | 43631HM8101 | PLATE, pillion stopper No.1      | 2    |         | 10                |
| 21          |                      |       |       | 43641HM8101          | 43641HM8101 | 43641HM8101 | 43641HM8101 | PLATE, pillion stopper No.2      | 2    |         | 10                |
| 22          |                      |       |       | 09320-14015          | 09320-14015 | 09320-14015 | 09320-14015 | CUSHION, muffler support         | 1    |         | 10                |
| 23          |                      |       |       | 09180-10044          | 09180-10044 | 09180-10044 | 09180-10044 | SPACER, muffler support          | 1    |         | 5                 |
| 24          |                      |       |       | 25600HN9101          | 25600HN9101 | 25600HN9101 | 25600HN9101 | LEVER COMP, gear shift cam       | 1    |         | 5                 |
| 25          |                      |       |       | 08331-31159          | 08331-31159 | 08331-31159 | 08331-31159 | CIRCLIP, gear shift lever        | 1    |         |                   |
| 26          |                      |       |       | 09160H15002          | 09160H15002 | 09160H15002 | 09160H15002 | WASHER, gear shift leve          | 1    |         | 10                |
| 27          |                      |       |       | 43560HP9201          | 43560HP9201 | 43560HP9201 | 43560HP9201 | BRKT, front footrest back step L | 2    |         | 10                |
| 28          |                      |       |       | 07120-08258          | 07120-08258 | 07120-08258 | 07120-08258 | BOLT, front footrest back step   | 1    |         |                   |

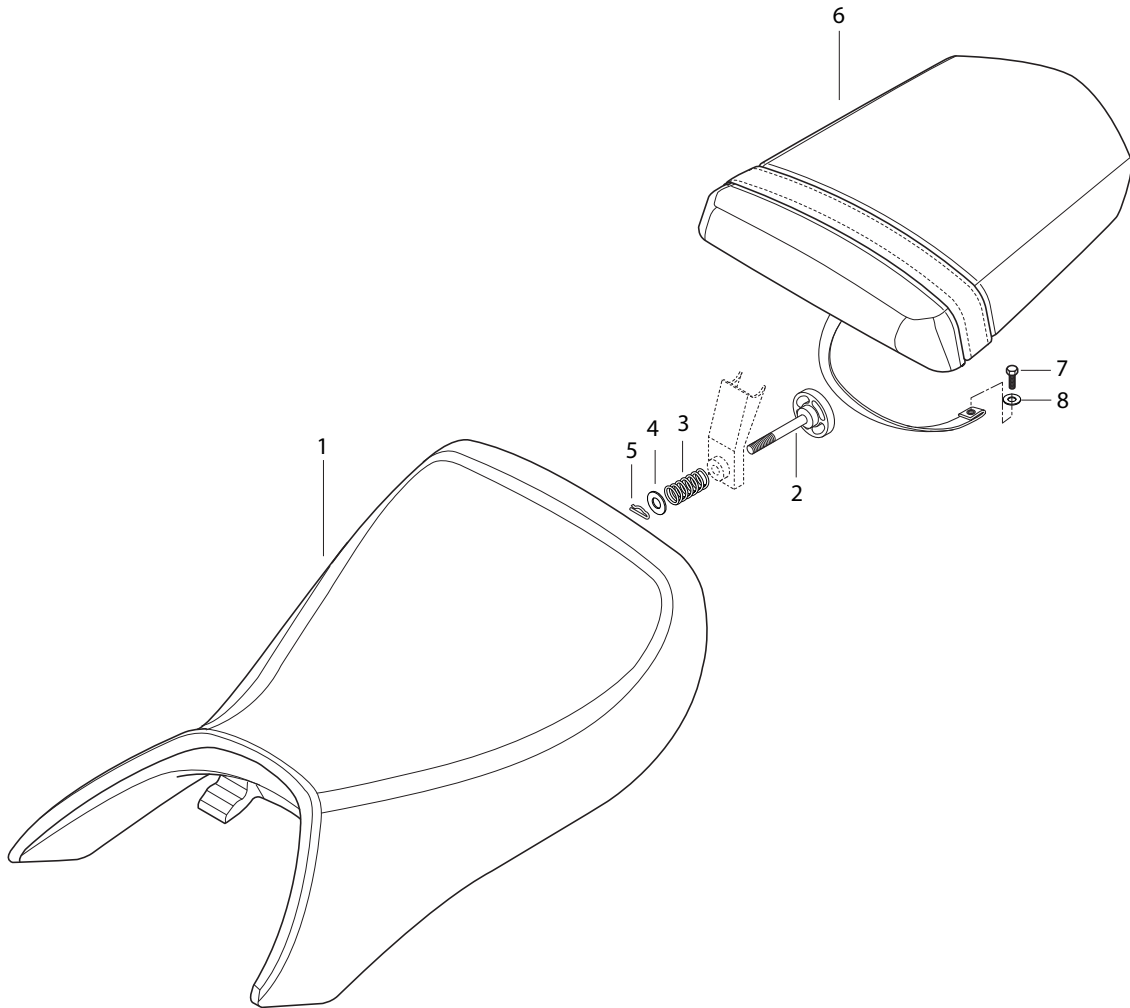
FIG 34



# FIG 34. FUEL TANK

| REF. NO. | GT650R - FI (2008)   |                |                | GT650RN - EI (2009)  |                |                |                | PART NAME                            | Q'TY | REMARKS       | REC.Q'TY (PCS) |
|----------|----------------------|----------------|----------------|----------------------|----------------|----------------|----------------|--------------------------------------|------|---------------|----------------|
|          | 7EU01/7G01/7S01/7F01 | 7US02          | 8US01          | 9EU01/9G01/9S01/9F01 | BRAZIL         | 9AT02          | 9US02          |                                      |      |               |                |
| 1        | 44110HPW300CDR       | 44110HPW300CDR | 44110HPW300CDR |                      |                |                |                | TANK COMP, fuel (RED/BLACK)          | 1    | WATER DECALED |                |
| 1        | 44110HPW300CLO       | 44110HPW300CLO | 44110HPW300CLO |                      |                |                |                | TANK COMP, fuel (ORANGE/BLACK 3UO)   | 1    | WATER DECALED | 5              |
| 1        | 44110HPW500CLO       | 44110HPW500CLO | 44110HPW500CLO |                      |                |                |                | TANK COMP, fuel (ORANGE/BLACK 5UO)   | 1    | WATER DECALED |                |
| 1        |                      |                |                | 44110HPW600CDR       | 44110SP9300CDR | 44110HPW600CDR | 44110HPW600CDR | TANK COMP, fuel (RED/BLACK)          | 1    | WATER DECALED | 10             |
| 1        |                      |                |                | 44110HPW600CDS       | 44110SP9300CDS | 44110HPW600CDS | 44110HPW600CDS | TANK COMP, fuel (SILVER/BLACK)       | 1    | WATER DECALED | 10             |
| 1        |                      |                |                | 44110HPW600CWP       | 44110SP9300CWP | 44110HPW600CWP | 44110HPW600CWP | TANK COMP, fuel (WHITE/BLACK)        | 1    | WATER DECALED | 10             |
| 1        | 44110HP9300CBK       | 44110HP9300CBK | 44110HP9300CBK | 44110HP9300CBK       | 44110SP9300CBK | 44110HP9300CBK | 44110HP9300CBK | TANK COMP, fuel (CBK, CDR)           | 1    |               | 5              |
| 1        | 44110HP9300CDR       | 44110HP9300CDR | 44110HP9300CDR | 44110HP9300CDR       | 44110SP9300CDR | 44110HP9300CDR | 44110HP9300CDR | TANK COMP, fuel (CBK, CDR)           | 1    |               | 5              |
| 2        | 44520HM8100          | 44520HM8100    | 44520HM8100    | 44520HM8100          | 44520HM8100    | 44520HM8100    | 44520HM8100    | BRKT COMP, fuel tank front           | 1    |               |                |
| 3        | 09329-10007          | 09329-10007    | 09329-10007    | 09329-10007          | 09329-10007    | 09329-10007    | 09329-10007    | CUSHION, fuel tank front             | 2    |               |                |
| 4        | 01517-06166          | 01517-06166    | 01517-06166    | 01517-06166          | 01517-06166    | 01517-06166    | 01517-06166    | BOLT, fuel tank front brkt           | 2    |               |                |
| 5        | 09329H28001          | 09329H28001    | 09329H28001    | 09329H28001          | 09329H28001    | 09329H28001    | 09329H28001    | CUSHION, fuel tank side              | 2    |               | 5              |
| 6        | 44530HM8100          | 44530HM8100    | 44530HM8100    | 44530H99700          | 44530H99700    | 44530H99700    | 44530H99700    | BRKT COMP, fuel tank RR              | 1    |               | 50             |
| 7        | 01517-06166          | 01517-06166    | 01517-06166    | 01517-06166          | 01517-06166    | 01517-06166    | 01517-06166    | BOLT, fuel tank RR brkt              | 2    |               |                |
| 8        | 44613HE7100          | 44613HE7100    | 44613HE7100    | 44613HE7100          | 44613HE7100    | 44613HE7100    | 44613HE7100    | CUSHION, fuel tank RR brkt & battery | 1    |               | 5              |
| 9        | 44218HF4500          | 44218HF4500    | 44218HF4500    | 44218HF4500          | 44218HF4500    | 44218HF4500    | 44218HF4500    | CUSHION, fuel tank RR brkt & battery | 1    |               |                |
| 10       | 09116H08078          | 09116H08078    | 09116H08078    | 09116H08078          | 09116H08078    | 09116H08078    | 09116H08078    | BOLT, fuel tank RR                   | 1    |               |                |
| 11       | 09320H14013          | 09320H14013    | 09320H14013    | 09320H14013          | 09320H14013    | 09320H14013    | 09320H14013    | CUSHION, fuel tank RR up             | 1    |               |                |
| 12       | 09180H08007          | 09180H08007    | 09180H08007    | 09180H08007          | 09180H08007    | 09180H08007    | 09180H08007    | SPACER, fuel tank RR cushion         | 1    |               |                |
| 13       | 09320H10020          | 09320H10020    | 09320H10020    | 09320H10020          | 09320H10020    | 09320H10020    | 09320H10020    | CUSHION, fuel tank RR lower          | 1    |               |                |
| 14       | 44200H35C30          | 44200H35C30    | 44200H35C30    | 44200H35C30          | 44200H35C30    | 44200H35C30    | 44200H35C30    | CAP ASSY, fuel tank filler           | 1    |               |                |
| 15       | 09106-05017          | 09106-05017    | 09106-05017    | 09106-05017          | 09106-05017    | 09106-05017    | 09106-05017    | BOLT, fuel tank filler               | 4    |               |                |
| 16       | 15100HR9700          | 15100HR9700    | 15100HR9700    | 15100HR8600          | 15100HR8600    | 15100HR8600    | 15100HR8600    | PUMP ASS'Y, fuel module              | 1    |               |                |
| 17       | 09125H04016          | 09125H04016    | 09125H04016    | 09125H04016          | 09125H04016    | 09125H04016    | 09125H04016    | SCREW, fuel pump module              | 10   |               |                |
| 18       | 15115HP9300          | 15115HP9300    | 15115HP9300    | 15115HP9300          | 15115HP9300    | 15115HP9300    | 15115HP9300    | PLATE, fuel pump module              | 1    |               |                |
| 19       | 34810HP9300          | 34810HP9300    | 34810HP9300    | 34810HP9300          | 34810HP9300    | 34810HP9300    | 34810HP9300    | GAUGE ASS'Y, fuel sender             | 1    |               |                |
| 20       | 09128-06035          | 09128-06035    | 09128-06035    | 09128-06035          | 09128-06035    | 09128-06035    | 09128-06035    | BOLT, fuel sender                    | 2    |               |                |
| 20       | 09128-06035          | 09128-06035    | 09128-06035    | 09128-06035          | 09128-06035    | 09128-06035    | 09128-06035    | BOLT, fuel sender                    | 2    |               |                |
| 21       | 15911HP9300          | 15911HP9300    | 15911HP9300    | 15911HP9300          | 15911HP9300    | 15911HP9300    | 15911HP9300    | JOINT, fuel hose                     | 1    |               |                |
| 22       | 09169H06078          | 09169H06078    | 09169H06078    | 09169H06078          | 09169H06078    | 09169H06078    | 09169H06078    | WASHER, fuel hose joint              | 1    |               |                |
| 23       | 01517-06125          | 01517-06125    | 01517-06125    | 01517-06125          | 01517-06125    | 01517-06125    | 01517-06125    | BOLT, joint                          | 1    |               |                |
| 24       | 15810HP9300          | 15810HP9300    | 15810HP9300    | 15810HP9301          | 15810HP9301    | 15810H99700    | 15810HP9301    | HOSE COMP, fuel injector             | 1    |               | 5              |
| 25       | 15813HP9300          | 15813HP9300    | 15813HP9300    | 15813HP9300          | 15813HP9300    | 15813HP9300    | 15813HP9300    | HOSE, regulator & joint              | 1    |               | 5              |
| 26       | 15812HP9300          | 15812HP9300    | 15812HP9300    | 15812HP9300          | 15812HP9300    | 15812HP9300    | 15812HP9300    | HOSE, fuel pump & joint              | 1    |               |                |
| 27       | 44410HP9300          | 44410HP9300    | 44410HP9300    | 44410HP9300          | 44410HP9300    | 44410HP9300    | 44410HP9300    | BRKT COMP, joint lower               | 1    |               | 5              |
| 28       | 01517-06125          | 01517-06125    | 01517-06125    | 01517-06125          | 01517-06125    | 01517-06125    | 01517-06125    | BOLT, joint lower brkt               | 1    |               |                |
| 29       | 68319H05350PL        | 68319H05350PL  | 68319H05350PL  | 68319H05350PL        | 68319H05350PL  | 68319H05350PL  | 68319H05350PL  | LABEL, caution NO.1 (7EU01)          | 1    |               | 5              |
| 29       | 68319H05370PL        | 68319H05370PL  | 68319H05370PL  | 68319H05370PL        | 68319H05370PL  | 68319H05370PL  | 68319H05370PL  | LABEL, caution NO.1 (7G01)           | 1    |               | 5              |
| 29       | 68319H05380PL        | 68319H05380PL  | 68319H05380PL  | 68319H05380PL        | 68319H05380PL  | 68319H05380PL  | 68319H05380PL  | LABEL, caution NO.1 (7S01)           | 1    |               | 5              |
| 29       | 68319H05390PL        | 68319H05390PL  | 68319H05390PL  | 68319H05390PL        | 68319H05390PL  | 68319H05390PL  | 68319H05390PL  | LABEL, caution NO.1 (7F01)           | 1    |               | 5              |

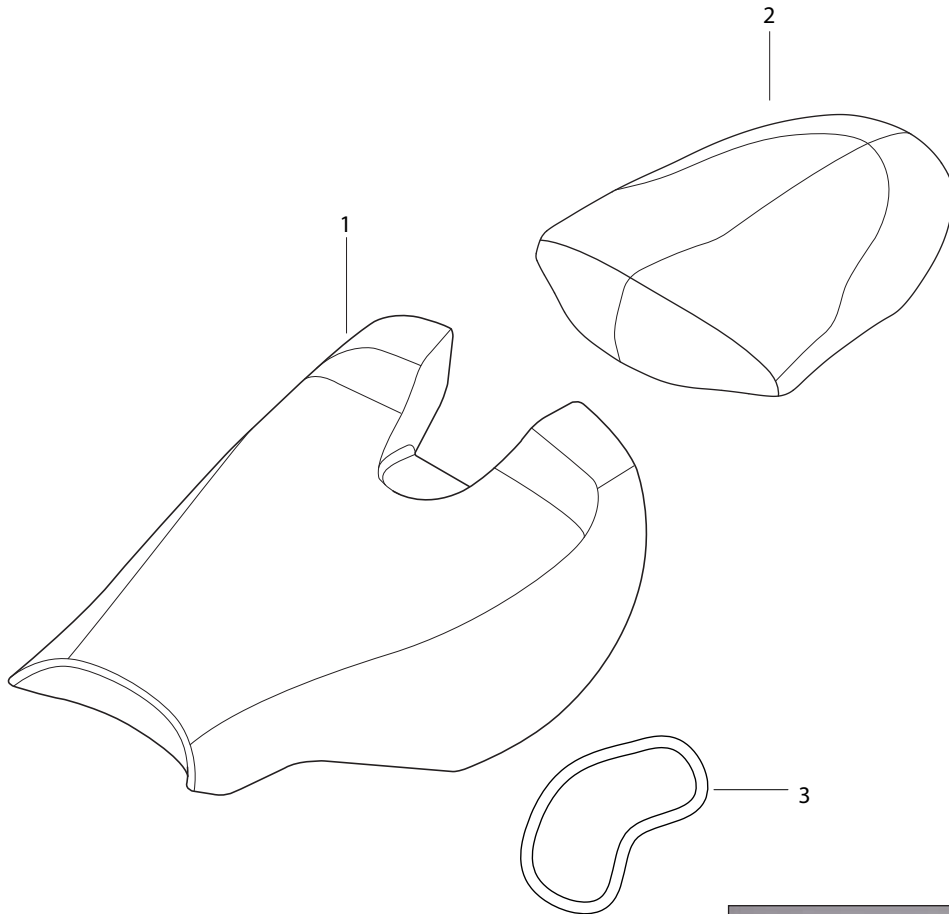
FIG 35 (2008)



## FIG 35. SEAT(2008)

| REF.<br>NO. | GT650R - FI (2008)   |                |                | GT650RN - EI (2009)  |        |       |       | PART NAME               | Q'TY | REMARKS | REC.Q'TY<br>(PCS) |
|-------------|----------------------|----------------|----------------|----------------------|--------|-------|-------|-------------------------|------|---------|-------------------|
|             | 7EU01/7G01/7S01/7F01 | 7US02          | 8US01          | 9EU01/9G01/9S01/9F01 | BRAZIL | 9AT02 | 9US02 |                         |      |         |                   |
| 1           | 45110HN9100HAS       | 45110HN9100HAS | 45110HN9100HAS |                      |        |       |       | SEAT SET, front         | 1    |         | 5                 |
| 2           | 45120HM8101          | 45120HM8101    | 45120HM8101    |                      |        |       |       | KNOB COMP, seat front   | 1    |         | 5                 |
| 3           | 09440-11016          | 09440-11016    | 09440-11016    |                      |        |       |       | SPRING, seat front knob | 1    |         | 5                 |
| 4           | 08322-11088          | 08322-11088    | 08322-11088    |                      |        |       |       | WASHER, seat front knob | 1    |         | 15                |
| 5           | 04111-20208          | 04111-20208    | 04111-20208    |                      |        |       |       | PIN, seat front knob    | 1    |         | 10                |
| 6           | 45200HP9200          | 45200HP9200    | 45200HP9200    |                      |        |       |       | SEAT SET, rear          | 1    |         | 5                 |
| 7           | 01517-06206          | 01517-06206    | 01517-06206    |                      |        |       |       | BOLT, rear seat         | 1    |         |                   |
| 8           | 09160-06057          | 09160-06057    | 09160-06057    |                      |        |       |       | WASHER, rear seat       | 1    |         | 5                 |

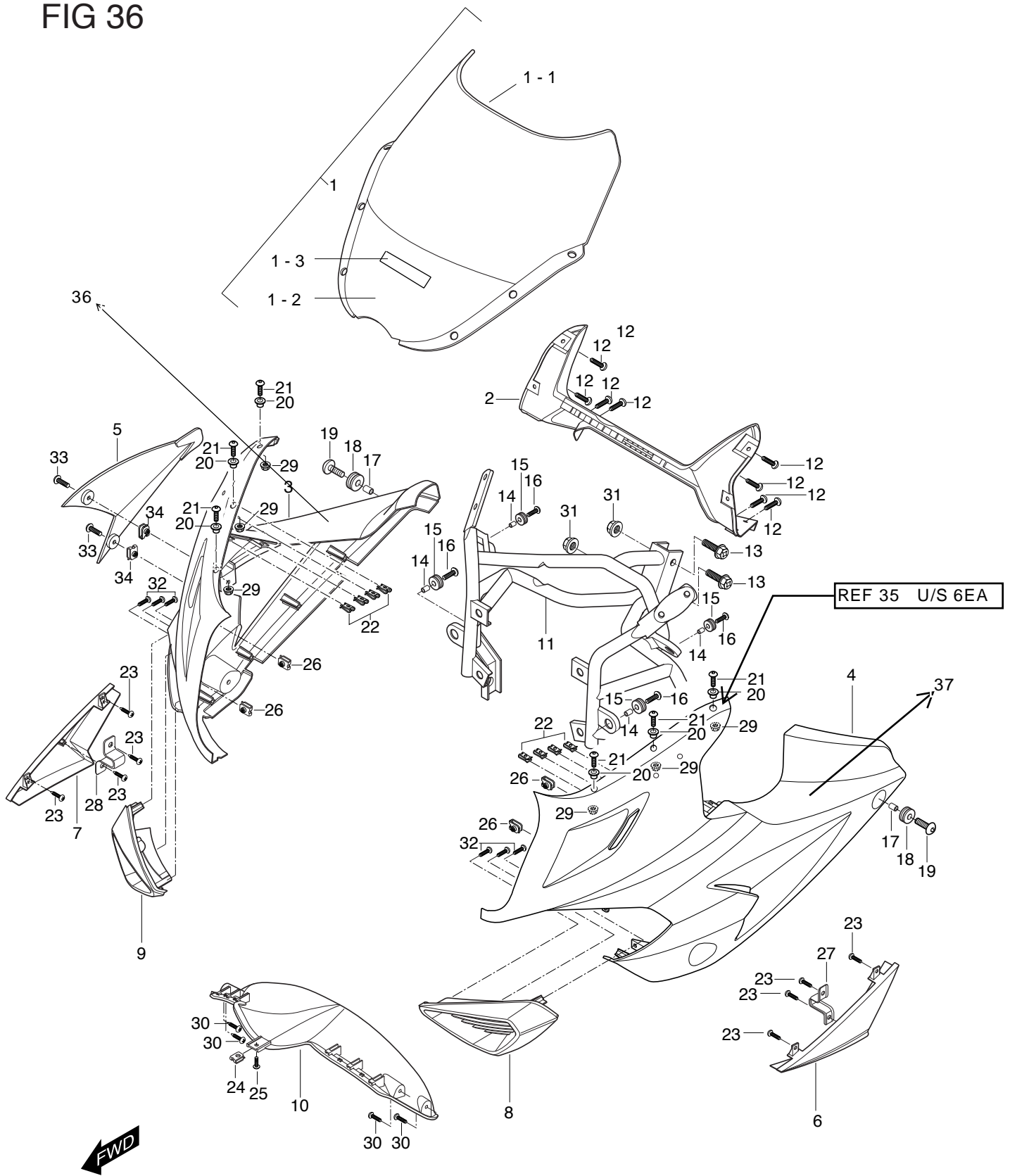
FIG 35 (2009)



## FIG 35. SEAT(2009)

| REF.<br>NO. | GT650R - FI (2008)   |       |       | GT650RN - EI (2009)  |             |             |             | PART NAME       | Q'TY | REMARKS | REC.Q'TY<br>(PCS) |
|-------------|----------------------|-------|-------|----------------------|-------------|-------------|-------------|-----------------|------|---------|-------------------|
|             | 7EU01/7G01/7S01/7F01 | 7US02 | 8US01 | 9EU01/9G01/9S01/9F01 | BRAZIL      | 9AT02       | 9US02       |                 |      |         |                   |
| 1           |                      |       |       | 45110H99700          | 45110H99700 | 45110H99700 | 45110H99700 | SEAT SET, front | 1    |         | 5                 |
| 2           |                      |       |       | 45200H99700          | 45200H99700 | 45200H99700 | 45200H99700 | SEAT SET, rear  | 1    |         | 5                 |
| 3           |                      |       |       | 09280-63003          | 09280-63003 | 09280-63003 | 09280-63003 | BAND, tool      | 1    |         | 5                 |

FIG 36





# FIG 36. COW'G BODY

| REF.<br>NO. | GT650R - FI (2008)   |                |                | GT650RN - EI (2009)  |                |                |                | PART NAME                                    | Q'TY | REMARKS | REC.Q'TY<br>(PCS) |
|-------------|----------------------|----------------|----------------|----------------------|----------------|----------------|----------------|--|------|---------|-------------------|
|             | 7EU01/7G01/7S01/7F01 | 7US02          | 8US01          | 9EU01/9G01/9S01/9F01 | BRAZIL         | 9AT02          | 9US02          |  |      |         |                   |
| 1           | 94611SP9252HPA       | 94611SP9252HPA | 94611SP9252HPA | 94611SP9252HPA       | 94611SP9252HPA | 94611SP9252HPA | 94611SP9252HPA | WINDSCREEN ASS'Y(COLOR :LIQUID)              | 1    |         | 5                 |
|             | 94601HP9250HPA       | 94601HP9250HPA | 94601HP9250HPA | 94601HP9250HPA       | 94601HP9250HPA | 94601HP9250HPA | 94601HP9250HPA | WIND SCREEN ASS'Y(COLOR : TONED)             | 1    |         |                   |
| 1-1         | 94611HP9252          | 94611HP9252    | 94611HP9252    | 94611HP9252          | 94611HP9252    | 94611HP9252    | 94611HP9252    | WINDSCREEN                                   | 1    |         |                   |
| 1-2         | 68500HP9200          | 68500HP9200    | 68500HP9200    | 68500HP9200          | 68500HP9200    | 68500HP9200    | 68500HP9200    | TAPE,WINDSCREEN                              | 1    |         |                   |
| 1-3         | 68120HL730003P       | 68120HL730003P | 68120HL730003P | 68120HL730003P       | 68120HL730003P | 68120HL730003P | 68120HL730003P | EMBLEM,LEG SHIELD FRONT                      | 1    |         |                   |
| 2           | 94641HP9200          | 94641HP9200    | 94641HP9200    | 94641HP9200          | 94641HP9200    | 94641HP9200    | 94641HP9200    | PANEL, meter                                 | 1    |         | 5                 |
| 3           | 94411HP92020BK       | 94411HP92020BK | 94411HP92020BK | 94411HP92020BK       | 94411HP92020BK | 94411HP92020BK | 94411HP92020BK | COW'G, body side R (BLACK)                   | 1    |         | 5                 |
| 3           | 94411HP92020DR       | 94411HP92020DR | 94411HP92020DR | 94411HP92020DR       | 94411HP92020DR | 94411HP92020DR | 94411HP92020DR | COW'G, body side R (RED,RED/RED BLACK)       | 1    |         | 5                 |
| 3           | 94411HP92020LO       | 94411HP92020LO | 94411HP92020LO | 94411HP92020LO       | 94411HP92020LO | 94411HP92020LO | 94411HP92020LO | COW'G, body side R (ORANGE/BLACK)            | 1    |         | 5                 |
| 3           | 94411HP92020DS       | 94411HP92020DS | 94411HP92020DS | 94411HP92020DS       | 94411HP92020DS | 94411HP92020DS | 94411HP92020DS | COW'G, body side R (SILVER/BLACK)            | 1    |         | 5                 |
| 3           |                      |                |                | 94411HP92020WP       | 94411HP92020WP | 94411HP92020WP | 94411HP92020WP | COW'G, body side R (WHITE/BLACK)             | 1    |         | 5                 |
| 4           | 94421HP92020BK       | 94421HP92020BK | 94421HP92020BK | 94421HP92020BK       | 94421HP92020BK | 94421HP92020BK | 94421HP92020BK | COW'G, body side L (BLACK)                   | 1    |         | 5                 |
| 4           | 94421HP92020DR       | 94421HP92020DR | 94421HP92020DR | 94421HP92020DR       | 94421HP92020DR | 94421HP92020DR | 94421HP92020DR | COW'G, body side L (RED,RED/RED BLACK)       | 1    |         | 5                 |
| 4           | 94421HP92020LO       | 94421HP92020LO | 94421HP92020LO | 94421HP92020LO       | 94421HP92020LO | 94421HP92020LO | 94421HP92020LO | COW'G, body side L (ORANGE/BLACK)            | 1    |         | 5                 |
| 4           | 94421HP92020DS       | 94421HP92020DS | 94421HP92020DS | 94421HP92020DS       | 94421HP92020DS | 94421HP92020DS | 94421HP92020DS | COW'G, body side L (SILVER/BLACK)            | 1    |         | 5                 |
| 4           |                      |                |                | 94421HP92020WP       | 94421HP92020WP | 94421HP92020WP | 94421HP92020WP | COW'G, body side L (WHITE/BLACK)             | 1    |         | 5                 |
| 5           | 94431HP92000BK       | 94431HP92000BK | 94431HP92000BK | 94431HP92000BK       | 94431HP92000BK | 94431HP92000BK | 94431HP92000BK | COW'G, body side R inner(BLACK)              | 1    |         | 5                 |
| 5           | 94431HP92000DR       | 94431HP92000DR | 94431HP92000DR | 94431HP92000DR       | 94431HP92000DR | 94431HP92000DR | 94431HP92000DR | COW'G, body side R inner(RED,RED/RED BLACK)  | 1    |         | 5                 |
| 5           | 94431HP92000LO       | 94431HP92000LO | 94431HP92000LO | 94431HP92000LO       | 94431HP92000LO | 94431HP92000LO | 94431HP92000LO | COW'G, body side R inner(ORANGE/BLACK)       | 1    |         | 5                 |
| 5           | 94431HP92000DS       | 94431HP92000DS | 94431HP92000DS | 94431HP92000DS       | 94431HP92000DS | 94431HP92000DS | 94431HP92000DS | COW'G, body side R inner(SILVER/BLACK)       | 1    |         | 5                 |
| 5           |                      |                |                | 94431HP92000WP       | 94431HP92000WP | 94431HP92000WP | 94431HP92000WP | COW'G, body side R inner(WHITE/BLACK)        | 1    |         | 5                 |
| 8           | 94671HP9200121       | 94671HP9200121 | 94671HP9200121 | 94671HP9200121       | 94671HP9200121 | 94671HP9200121 | 94671HP9200121 | COW'G, air duct L                            | 1    |         | 5                 |
| 9           | 94661HP9200121       | 94661HP9200121 | 94661HP9200121 | 94661HP9200121       | 94661HP9200121 | 94661HP9200121 | 94661HP9200121 | COW'G, air duct R                            | 1    |         | 5                 |
| 10          | 94441HP92000BK       | 94441HP92000BK | 94441HP92000BK | 94441HP92000BK       | 94441HP92000BK | 94441HP92000BK | 94441HP92000BK | COW'G, body center lower(BLACK)              | 1    |         | 5                 |
| 10          | 94441HP92000DR       | 94441HP92000DR | 94441HP92000DR | 94441HP92000DR       | 94441HP92000DR | 94441HP92000DR | 94441HP92000DR | COW'G, body center lower(RED,RED/RED BLACK)  | 1    |         | 5                 |
| 10          | 94441HP92000LO       | 94441HP92000LO | 94441HP92000LO | 94441HP92000LO       | 94441HP92000LO | 94441HP92000LO | 94441HP92000LO | COW'G, body center lower(ORANGE/BLACK)       | 1    |         | 5                 |
| 10          | 94441HP92000DS       | 94441HP92000DS | 94441HP92000DS | 94441HP92000DS       | 94441HP92000DS | 94441HP92000DS | 94441HP92000DS | COW'G, body center lower(SILVER/BLACK)       | 1    |         | 5                 |
| 10          |                      |                |                | 94441HP92000WP       | 94441HP92000WP | 94441HP92000WP | 94441HP92000WP | COW'G, body center lower(WHITE/BLACK)        | 1    |         | 5                 |
| 11          | 94510HP9202          | 94510HP9202    | 94510HP9202    | 94510HP9202          | 94510HP9202    | 94510HP9202    | 94510HP9202    | BRACE, cowling                               | 1    |         |                   |
| 12          | 03241-05125          | 03241-05125    | 03241-05125    | 03241-05125          | 03241-05125    | 03241-05125    | 03241-05125    | BOLT, meter panel & body side cow R/L        | 8    |         |                   |
| 13          | 09103H08254          | 09103H08254    | 09103H08254    | 09103H08254          | 09103H08254    | 09103H08254    | 09103H08254    | BOLT, brace comp & frame head pipe           | 2    |         |                   |
| 14          | 09180H06208          | 09180H06208    | 09180H06208    | 09180H06208          | 09180H06208    | 09180H06208    | 09180H06208    | SPACER, body side cow R/L & brace comp       | 4    |         |                   |
| 15          | 09320-09034          | 09320-09034    | 09320-09034    | 09320-09034          | 09320-09034    | 09320-09034    | 09320-09034    | CUSHION, body side cow R/L & brace comp      | 4    |         |                   |
| 16          | 09136-06113          | 09136-06113    | 09136-06113    | 09136-06113          | 09136-06113    | 09136-06113    | 09136-06113    | BOLT, body side COW'G R/L & brace comp       | 4    |         |                   |
| 17          | 09180H06208          | 09180H06208    | 09180H06208    | 09180H06208          | 09180H06208    | 09180H06208    | 09180H06208    | SPACER, body side COW'G R/L & frame          | 2    |         |                   |
| 18          | 09320-09034          | 09320-09034    | 09320-09034    | 09320-09034          | 09320-09034    | 09320-09034    | 09320-09034    | CUSHION, body side COW'G R/L & frame         | 2    |         |                   |
| 19          | 09136-06113          | 09136-06113    | 09136-06113    | 09136-06113          | 09136-06113    | 09136-06113    | 09136-06113    | BOLT, body side COW'G R/L & frame            | 2    |         |                   |
| 20          | 09320-07012          | 09320-07012    | 09320-07012    | 09320-07012          | 09320-07012    | 09320-07012    | 09320-07012    | CUSHION, windscreen & body side COW'G up     | 6    |         |                   |
| 21          | 09106H05150          | 09106H05150    | 09106H05150    | 09106H05150          | 09106H05150    | 09106H05150    | 09106H05150    | BOLT, windscreen & body side COW'G up        | 6    |         |                   |
| 22          | 09148-05004          | 09148-05004    | 09148-05004    | 09148-05004          | 09148-05004    | 09148-05004    | 09148-05004    | NUT, body side COW'G R/L & meter panel       | 8    |         | 20                |
| 23          | 03241-05106          | 03241-05106    | 03241-05106    | 03241-05106          | 03241-05106    | 03241-05106    | 03241-05106    | SCREW, side COW'G & lower COW'G              | 8    |         | 20                |
| 24          | 09148-05004          | 09148-05004    | 09148-05004    | 09148-05004          | 09148-05004    | 09148-05004    | 09148-05004    | NUT, lower COW'G ctr & body side COW'G R/L   | 1    |         | 10                |
| 25          | 03241-05125          | 03241-05125    | 03241-05125    | 03241-05125          | 03241-05125    | 03241-05125    | 03241-05125    | SCREW, lower COW'G ctr & body side COW'G R/L | 1    |         | 3                 |
| 26          | 09148-06020          | 09148-06020    | 09148-06020    | 09148-06020          | 09148-06020    | 09148-06020    | 09148-06020    | NUT, body side COW'G R/L & brace comp        | 4    |         | 3                 |



## FIG 36. COW'G BODY

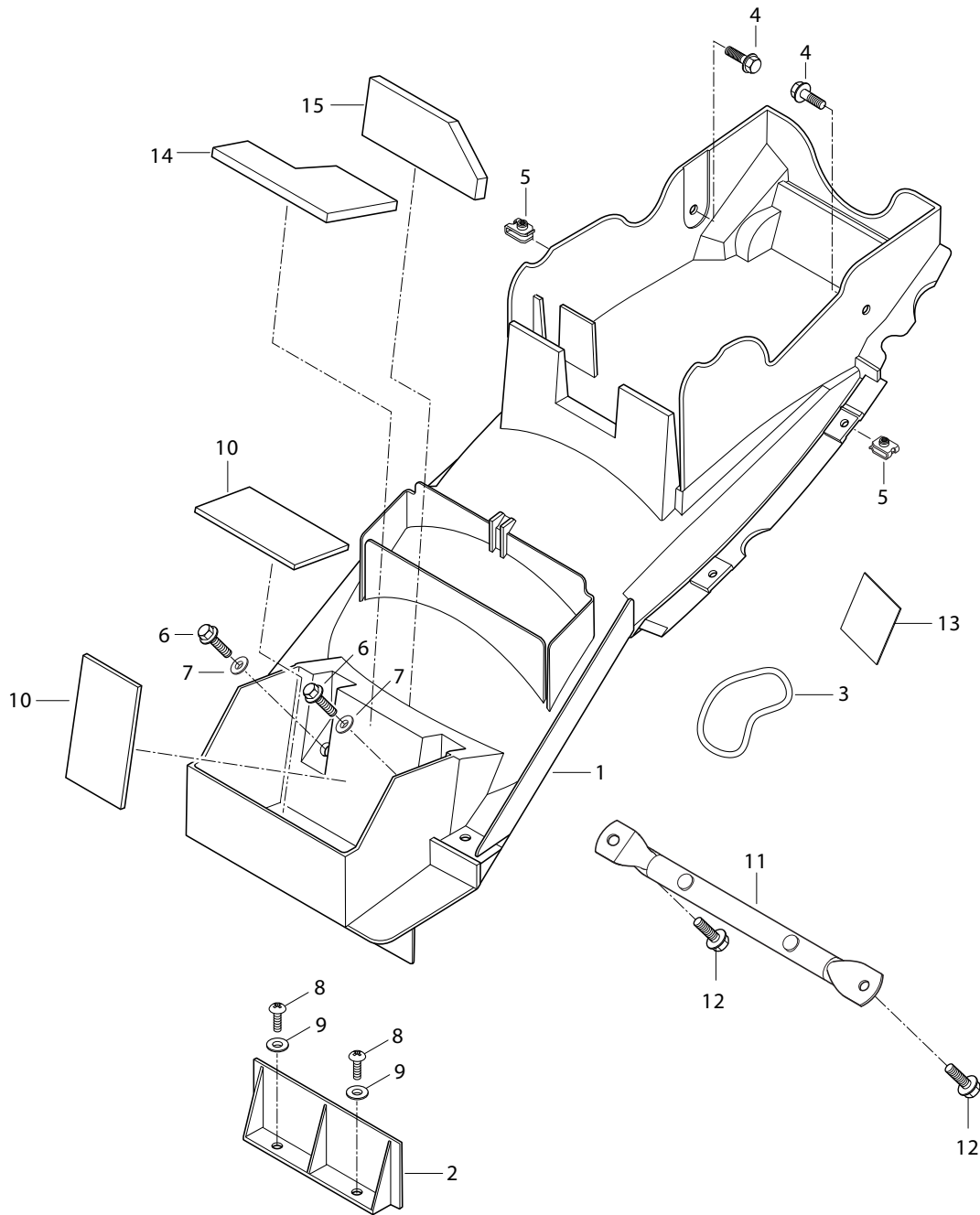
| REF.<br>NO. | GT650R - FI (2008)   |             |             | GT650RN - EI (2009)  |             |             |             | PART NAME                                   | Q'TY | REMARKS | REC.Q'TY<br>(PCS) |
|-------------|----------------------|-------------|-------------|----------------------|-------------|-------------|-------------|---|------|---------|-------------------|
|             | 7EU01/7G01/7S01/7F01 | 7US02       | 8US01       | 9EU01/9G01/9S01/9F01 | BRAZIL      | 9AT02       | 9US02       |   |      |         |                   |
| 27          | 94425HP9200          | 94425HP9200 | 94425HP9200 | 94425HP9200          | 94425HP9200 | 94425HP9200 | 94425HP9200 | PLATE, body side COW'G & lower COW'G No.2 L | 1    |         | 15                |
| 28          | 94425HP9200          | 94425HP9200 | 94425HP9200 | 94425HP9200          | 94425HP9200 | 94425HP9200 | 94425HP9200 | PLATE, body side COW'G & lower COW'G No.2 R | 1    |         |                   |
| 29          | 08316-26055          | 08316-26055 | 08316-26055 | 08316-26055          | 08316-26055 | 08316-26055 | 08316-26055 | NUT, windscreen & body side COW'G up        | 6    |         |                   |
| 30          | 03211-05166          | 03211-05166 | 03211-05166 | 03211-05166          | 03211-05166 | 03211-05166 | 03211-05166 | SCREW, lower COW'G & body side COW'G R/L    | 4    |         |                   |
| 31          | 08313-11088          | 08313-11088 | 08313-11088 | 08313-11088          | 08313-11088 | 08313-11088 | 08313-11088 | NUT, brace comp & frame head pipe           | 2    |         |                   |
| 32          | 03241-04128          | 03241-04128 | 03241-04128 | 03241-04128          | 03241-04128 | 03241-04128 | 03241-04128 | SCREW, body side cwling & air doct COW'G    | 6    |         |                   |
| 33          | 09106H06150          | 09106H06150 | 09106H06150 | 09106H06150          | 09106H06150 | 09106H06150 | 09106H06150 | BOLT  | 2    |         | 60                |
| 34          | 09148-06020          | 09148-06020 | 09148-06020 | 09148-06020          | 09148-06020 | 09148-06020 | 09148-06020 | NUT   | 2    |         |                   |
| 35          | 09169-05018          | 09169-05018 | 09169-05018 | 09169-05018          | 09169-05018 | 09169-05018 | 09169-05018 | WASHER, Windscreen                          | 6    |         |                   |
| 36          | 94454HP9400          | 94454HP9400 | 94454HP9400 | 94454HP9400          | 94454HP9400 | 94454HP9400 | 94454HP9400 | CUSHION, Upper Cowling R                    | 1    |         |                   |
| 37          | 94455HP9400          | 94455HP9400 | 94455HP9400 | 94455HP9400          | 94455HP9400 | 94455HP9400 | 94455HP9400 | CUSHION, Upper Cowling L                    | 1    |         |                   |



# FIG 37. COW'G BODY

| REF.<br>NO. | GT650R - FI (2008)   |                |                | GT650RN - EI (2009)  |                |                |                | PART NAME                                  | Q'TY | REMARKS       | REC.Q'TY<br>(PCS) |
|-------------|----------------------|----------------|----------------|----------------------|----------------|----------------|----------------|--|------|---------------|-------------------|
|             | 7EU01/7G01/7S01/7F01 | 7US02          | 8US01          | 9EU01/9G01/9S01/9F01 | BRAZIL         | 9AT02          | 9US02          |  |      |               |                   |
| 0           | 94409HP9450          | 94409HP9450    | 94409HP9450    | 94409HP9450          | 94409HP9450    | 94409HP9450    | 94409HP9450    | UNDER COW'G SET(color:0BK,0DR:WITH EMBLUM) | 1    |               |                   |
| 1           | 94432HP9402CBK       | 94432HP9402CBK | 94432HP9402CBK | 94432HP9402CBK       | 94432HP9402CBK | 94432HP9402CBK | 94432HP9402CBK | COW'G, under RH (BLACK:WITHOUT EMBLEM)     | 1    |               | 5                 |
| 1           | 94432HP9402CDR       | 94432HP9402CDR | 94432HP9402CDR | 94432HP9402CDR       | 94432HP9402CDR | 94432HP9402CDR | 94432HP9402CDR | COW'G, under RH (RED:WITHOUT EMBLEM)       | 1    |               |                   |
| 1           | 94432HPW300CBK       | 94432H797600BK | 94432H797600BK |                      |                |                |                | COW'G, under RH (RED/BLACK)                | 1    |               | 5                 |
| 1           | 94432HPW510CBK       | 94432HPW510CBK | 94432HPW510CBK |                      |                |                |                | COW'G, under RH (RED/BLACK, 5UO)           | 1    | WATER DECALED | 5                 |
| 1           | 94432HPW310CBK       | 94432HPW310CBK | 94432HPW310CBK |                      |                |                |                | COW'G, under RH (ORANGE/BLACK)             | 1    | WATER DECALED | 5                 |
| 1           |                      |                |                | 94432HPW600CBK       | 94432HPW600CBK | 94432HPW600CBK | 94432HPW600CBK | COW'G, under RH (RED/BLACK)                | 1    | WATER DECALED | 5                 |
| 1           |                      |                |                | 94432HPW610CBK       | 94432HPW610CBK | 94432HPW610CBK | 94432HPW610CBK | COW'G, under RH (SILVER/BLACK)             | 1    | WATER DECALED | 5                 |
| 1           |                      |                |                | 94432HPW611CBK       | 94432HPW611CBK | 94432HPW611CBK | 94432HPW611CBK | COW'G, under RH (WHITE/BLACK)              | 1    | WATER DECALED | 5                 |
| 2           | 94433HP9400CBK       | 94433HP9400CBK | 94433HP9400CBK | 94433HP9400CBK       | 94433HP9400CBK | 94433HP9400CBK | 94433HP9400CBK | COW'G, under LH (BLACK:WITHOUT EMBLEM)     | 1    |               | 5                 |
| 2           | 94433HP9400CDR       | 94433HP9400CDR | 94433HP9400CDR | 94433HP9400CDR       | 94433HP9400CDR | 94433HP9400CDR | 94433HP9400CDR | COW'G, under LH (RED:WITHOUT EMBLEM)       | 1    |               |                   |
| 2           | 94433HPW300CBK       | 94433H797600BK | 94433H797600BK |                      |                |                |                | COW'G, under LH (RED/BLACK)                | 1    |               | 5                 |
| 2           | 94433HPW510CBK       | 94433HPW510CBK | 94433HPW510CBK |                      |                |                |                | COW'G, under LH (RED/BLACK,5UO)            | 1    | WATER DECALED | 5                 |
| 2           | 94433HPW310CBK       | 94433HPW310CBK | 94433HPW310CBK |                      |                |                |                | COW'G, under LH (ORANGE/BLACK)             | 1    | WATER DECALED | 5                 |
| 2           |                      |                |                | 94433HPW600CBK       | 94433HPW600CBK | 94433HPW600CBK | 94433HPW600CBK | COW'G, under LH (RED/BLACK)                | 1    | WATER DECALED |                   |
| 2           |                      |                |                | 94433HPW610CBK       | 94433HPW610CBK | 94433HPW610CBK | 94433HPW610CBK | COW'G, under LH (SILVER/BLACK)             | 1    | WATER DECALED |                   |
| 2           |                      |                |                | 94433HPW611CBK       | 94433HPW611CBK | 94433HPW611CBK | 94433HPW611CBK | COW'G, under LH (WHITE/BLACK)              | 1    | WATER DECALED |                   |
| 3           | 94431HP94000BK       | 94431HP94000BK | 94431HP94000BK | 94431HP94000BK       | 94431HP94000BK | 94431HP94000BK | 94431HP94000BK | COW'G, under center (0BK,NR,NS,NW)         | 1    |               | 5                 |
| 3           | 94431HP94000DR       | 94431HP94000DR | 94431HP94000DR | 94431HP94000DR       | 94431HP94000DR | 94431HP94000DR | 94431HP94000DR | COW'G, under center (0DR)                  | 1    |               | 5                 |
| 4           | 94434HP9402          | 94434HP9402    | 94434HP9402    | 94434HP9402          | 94434HP9402    | 94434HP9402    | 94434HP9402    | PLATE, under COW'G RH                      | 1    |               | 5                 |
| 5           | 94435HP9401          | 94435HP9401    | 94435HP9401    | 94435HP9401          | 94435HP9401    | 94435HP9401    | 94435HP9401    | PLATE, under COW'G LH                      | 1    |               | 5                 |
| 6           | 94436HP9401          | 94436HP9401    | 94436HP9401    | 94436HP9401          | 94436HP9401    | 94436HP9401    | 94436HP9401    | PLATE, under center COW'G                  | 1    |               | 5                 |
| 7           | 94478HP9400          | 94478HP9400    | 94478HP9400    | 94478HP9400          | 94478HP9400    | 94478HP9400    | 94478HP9400    | PLATE COMP,under COW'G upper RH            | 1    |               | 5                 |
| 8           | 94479HP9400          | 94479HP9400    | 94479HP9400    | 94479HP9400          | 94479HP9400    | 94479HP9400    | 94479HP9400    | PLATE COMP,under COW'G upper LH            | 1    |               | 5                 |
| 9           | 01134-06306          | 01134-06306    | 01134-06306    | 01134-06306          | 01134-06306    | 01134-06306    | 01134-06306    | BOLT, body under COW'G & frame             | 2    |               | 10                |
| 10          | 09106H05150          | 09106H05150    | 09106H05150    | 09106H05150          | 09106H05150    | 09106H05150    | 09106H05150    | BOLT, body under COW'G R/L                 | 11   |               | 30                |
| 10-1        | 09136-06113          | 09136-06113    | 09136-06113    | 09136-06113          | 09136-06113    | 09136-06113    | 09136-06113    | BOLT                                       | 2    |               | 5                 |
| 10-2        | 09106H06150          | 09106H06150    | 09106H06150    | 09106H06150          | 09106H06150    | 09106H06150    | 09106H06150    | BOLT                                       | 4    |               | 5                 |
| 11          | 09148-05004          | 09148-05004    | 09148-05004    | 09148-05004          | 09148-05004    | 09148-05004    | 09148-05004    | NUT, under COW'G                           | 9    |               | 20                |
| 12          | 94425HP9401          | 94425HP9401    | 94425HP9401    | 94425HP9401          | 94425HP9401    | 94425HP9401    | 94425HP9401    | PLATE, body COW'G side lower               | 2    |               | 3                 |
| 13          | 94426HP9401          | 94426HP9401    | 94426HP9401    | 94426HP9401          | 94426HP9401    | 94426HP9401    | 94426HP9401    | PLATE, body COW'G side                     | 4    |               | 3                 |
| 14          | 94439HP9400120       | 94439HP9400120 | 94439HP9400120 | 94439HP9400120       | 94439HP9400120 | 94439HP9400120 | 94439HP9400120 | GRILL, under center COW'G                  | 1    |               | 5                 |
| 15          | 94417HP9201          | 94417HP9201    | 94417HP9201    | 94417HP9201          | 94417HP9201    | 94417HP9201    | 94417HP9201    | PLATE COMP, frame & body COW'G No.2        | 2    |               | 10                |
| 16          | 03151-05125          | 03151-05125    | 03151-05125    | 03151-05125          | 03151-05125    | 03151-05125    | 03151-05125    | SCREW, side COW'G & lower cowl             | 7    |               | 20                |
| 16-1        | 03241-05125          | 03241-05125    | 03241-05125    | 03241-05125          | 03241-05125    | 03241-05125    | 03241-05125    | SCREW                                      | 9    |               | 20                |
| 17          | 68130HP9450015       | 68130HP9450015 | 68130HP9450015 | 68130HP9450015       | 68130HP9450015 | 68130HP9450015 | 68130HP9450015 | TAPE, "GT650 R" RH(color:0DR)              | 2    |               | 3                 |
| 17          | 68130HP945003P       | 68130HP945003P | 68130HP945003P | 68130HP945003P       | 68130HP945003P | 68130HP945003P | 68130HP945003P | TAPE, "GT650 R" RH(color:0BK)              | 2    |               | 3                 |
| 18          | 94453HP9400          | 94453HP9400    | 94453HP9400    | 94453HP9400          | 94453HP9400    | 94453HP9400    | 94453HP9400    | CUSHION, Under Cow'g Side L                | 2    |               |                   |
| 19          | 94456HP9400          | 94456HP9400    | 94456HP9400    | 94456HP9400          | 94456HP9400    | 94456HP9400    | 94456HP9400    | CUSHION, Under Cent Cow'g R                | 1    |               |                   |
| 20          | 94457HP9400          | 94457HP9400    | 94457HP9400    | 94457HP9400          | 94457HP9400    | 94457HP9400    | 94457HP9400    | CUSHION, Under Cent Cow'g L                | 1    |               |                   |
| 21          | 94458HP9400          | 94458HP9400    | 94458HP9400    | 94458HP9400          | 94458HP9400    | 94458HP9400    | 94458HP9400    | CUSHION, Under Cowling R                   | 1    |               |                   |
| 22          | 94459HP9400          | 94459HP9400    | 94459HP9400    | 94459HP9400          | 94459HP9400    | 94459HP9400    | 94459HP9400    | CUSHION, Under Cowling L                   | 1    |               |                   |

FIG 38 (2008)

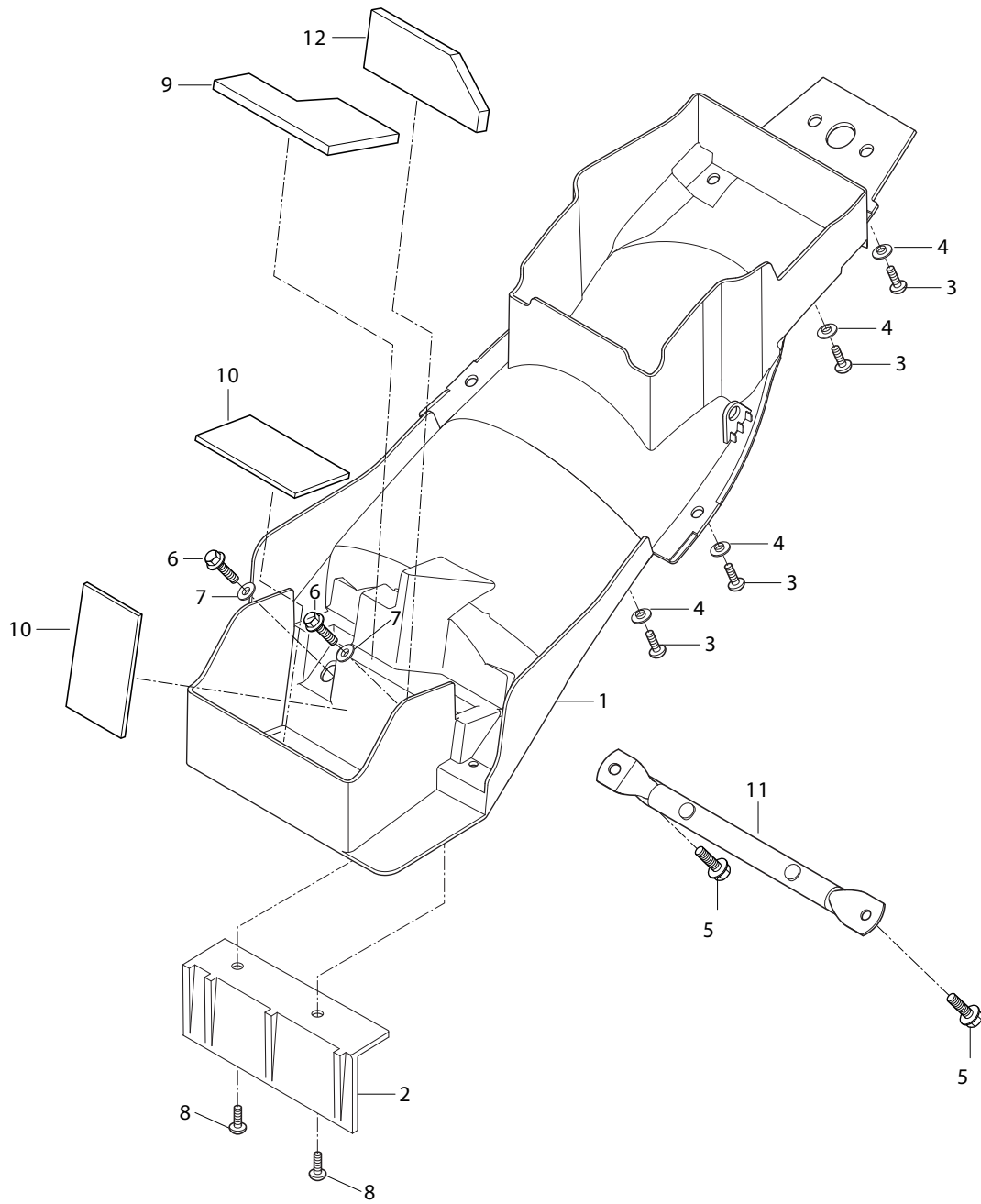


**FWD**

## FIG 38. REAR FENDER(2008)

| REF.<br>NO. | GT650R - FI (2008)   |                |                | GT650RN - EI (2009)  |        |       | PART NAME                              | Q'TY | REMARKS | REC.Q'TY<br>(PCS) |
|-------------|----------------------|----------------|----------------|----------------------|--------|-------|--|------|---------|-------------------|
|             | 7EU01/7G01/7S01/7F01 | 7US02          | 8US01          | 9EU01/9G01/9S01/9F01 | BRAZIL | 9AT02 |  |      |         |                   |
| 1           | 63112HM810512A       | 63112HM810512A | 63112HM810512A |                      |        |       | FENDER, rear front                     | 1    |         | 5                 |
| 2           | 63113HM810112A       | 63113HM810112A | 63113HM810112A |                      |        |       | FENDER, rear lower                     | 1    |         | 5                 |
| 3           | 09280-63003          | 09280-63003    | 09280-63003    |                      |        |       | BAND, tool                             | 1    |         | 5                 |
| 4           | 09111H06066          | 09111H06066    | 09111H06066    |                      |        |       | BOLT, rr fender ft up                  | 2    |         | 5                 |
| 5           | 09148-05039          | 09148-05039    | 09148-05039    |                      |        |       | NUT, rr fender ft                      | 2    |         | 20                |
| 6           | 01517-06166          | 01517-06166    | 01517-06166    |                      |        |       | BOLT, rr fender ft & frame side tube   | 2    |         | 20                |
| 7           | 09169-06032          | 09169-06032    | 09169-06032    |                      |        |       | WASHER, rr fender ft & frame side tube | 2    |         | 20                |
| 8           | 02142-06166          | 02142-06166    | 02142-06166    |                      |        |       | SCREW, rr fender lower                 | 2    |         | 20                |
| 9           | 09169-06032          | 09169-06032    | 09169-06032    |                      |        |       | WASHER, rr fender lower                | 2    |         | 20                |
| 10          | 41589HG5900          | 41589HG5900    | 41589HG5900    |                      |        |       | CUSHION, rr fender ft & battery        | 1    |         | 40                |
| 11          | 41589HR9700          | 41589HR9700    | 41589HR9700    |                      |        |       | CUSHION, rr fender ft & battery NO2    | 1    |         | 10                |
| 12          | 63120HM810003P       | 63120HM810003P | 63120HM810003P |                      |        |       | TUBE COMP, RR fender FT & frm side     | 1    |         | 5                 |
| 13          | 63120HN9150120       | 63120HN9150120 | 63120HN9150120 |                      |        |       | TUBE COMP, RR fender FT & frm side     | 1    |         | 5                 |
| 14          | 01517-08168          | 01517-08168    | 01517-08168    |                      |        |       | BOLT, frm side tube                    | 2    |         | 5                 |
| 15          | 63115HN9101          | 63115HN9101    | 63115HN9101    |                      |        |       | TAPE, RR fender FT                     | 1    |         | 5                 |
| 16          | 68350HM8150PL        | 68350HM8150PL  | 68350HM8150PL  |                      |        |       | LABEL, caution NO.1 (7EU01)            | 1    |         | 5                 |
| 16          | 68350HM8160PL        | 68350HM8160PL  | 68350HM8160PL  |                      |        |       | LABEL, caution NO.1 (7G01)             | 1    |         | 5                 |
| 16          | 68350HM8180PL        | 68350HM8180PL  | 68350HM8180PL  |                      |        |       | LABEL, caution NO.1 (7S01)             | 1    |         | 5                 |
| 16          | 68350HM8190PL        | 68350HM8190PL  | 68350HM8190PL  |                      |        |       | LABEL, caution NO.1 (7F01)             | 1    |         | 5                 |
| 17          | 02142-04088          | 02142-04088    | 02142-04088    |                      |        |       | BOLT, RR Fender FT                     | 2    |         |                   |

FIG 38 (2009)

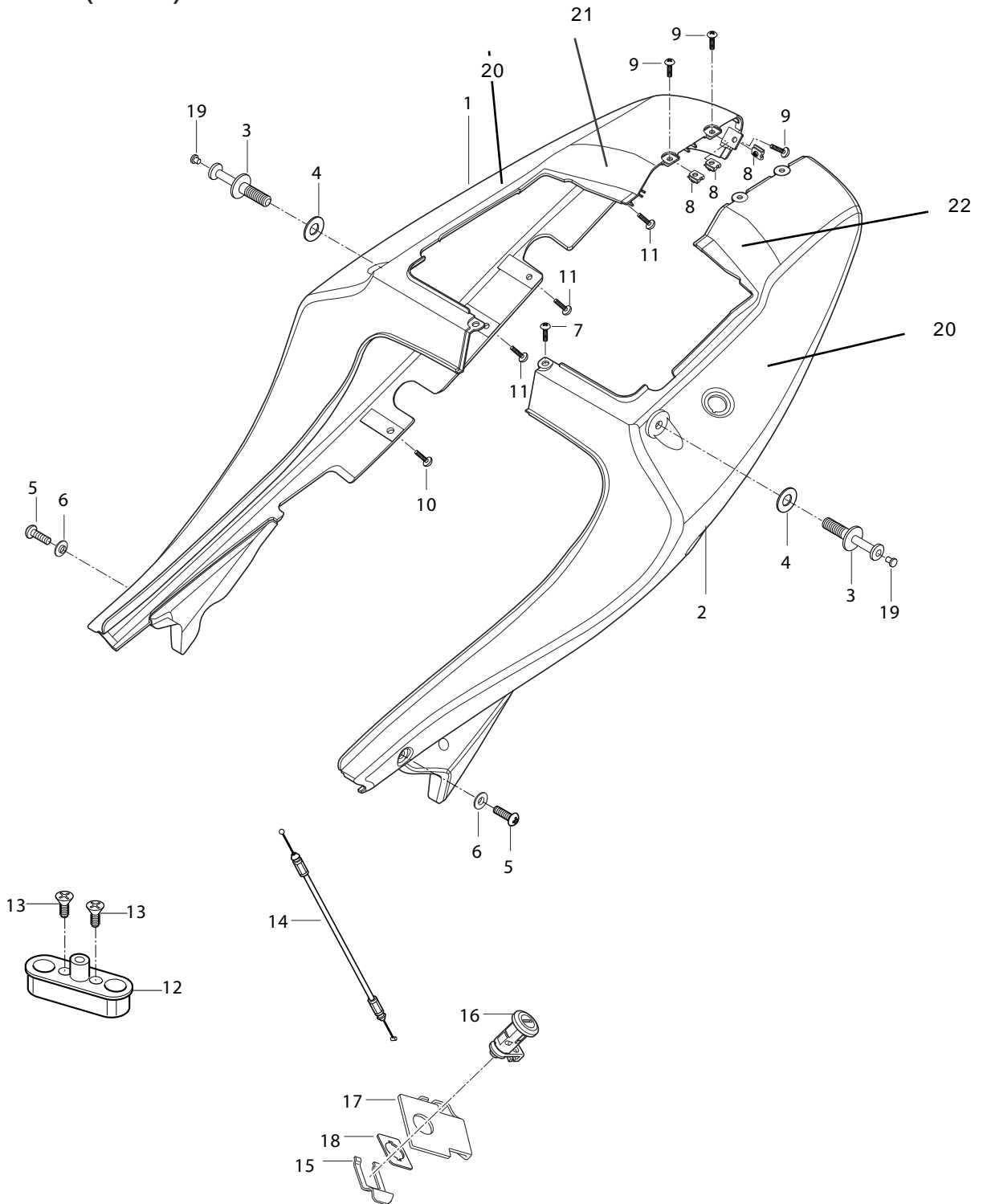




## FIG 38. REAR FENDER(2009)

| REF.<br>NO. | GT650R - FI (2008)   |       |       | GT650RN - EI (2009)  |             |             |             | PART NAME  | Q'TY | REMARKS | REC.Q'TY<br>(PCS) |
|-------------|----------------------|-------|-------|----------------------|-------------|-------------|-------------|--|------|---------|-------------------|
|             | 7EU01/7G01/7S01/7F01 | 7US02 | 8US01 | 9EU01/9G01/9S01/9F01 | BRAZIL      | 9AT02       | 9US02       |  |      |         |                   |
| 1           |                      |       |       | 63112H99700          | 63112H99700 | 63112H99700 | 63112H99700 | FENDER, rear front                               | 1    |         | 5                 |
| 2           |                      |       |       | 63114H99700          | 63114H99700 | 63114H99700 | 63114H99700 | FENDER, rear front lower                         | 1    |         | 5                 |
| 3           |                      |       |       | 09106H06150          | 09106H06150 | 09106H06150 | 09106H06150 | SCREW, side cover lower & RR fender front lower  | 4    |         | 5                 |
| 4           |                      |       |       | 09169H06078          | 09169H06078 | 09169H06078 | 09169H06078 | WASHER, side cover lower & RR fender front lower | 4    |         | 5                 |
| 5           |                      |       |       | 01517-08168          | 01517-08168 | 01517-08168 | 01517-08168 | BOLT, frm side tube                              | 2    |         | 20                |
| 6           |                      |       |       | 01517-06166          | 01517-06166 | 01517-06166 | 01517-06166 | BOLT, rr fender ft & frame side tube             | 2    |         | 20                |
| 7           |                      |       |       | 09169-06032          | 09169-06032 | 09169-06032 | 09169-06032 | WASHER, rr fender ft & frame side tube           | 2    |         | 20                |
| 8           |                      |       |       | 02142-06125          | 02142-06125 | 02142-06125 | 02142-06125 | SCREW, rr fender lower front lower               | 2    |         | 20                |
| 9           |                      |       |       | 63161HP9300          | 63161HP9300 | 63161HP9300 | 63161HP9300 | CUSHION, ecu lower                               | 1    |         | 20                |
| 10          |                      |       |       | 41589HG5900          | 41589HG5900 | 41589HG5900 | 41589HG5900 | CUSHION, rr fender ft & battery                  | 2    |         | 40                |
| 11          |                      |       |       | 63120HM8102          | 63120HM8102 | 63120HM8102 | 63120HM8102 | TUBE COMP, RR fender FT & frm side               | 1    |         | 10                |
| 12          |                      |       |       | 63162HP930           | 63162HP930  | 63162HP930  | 63162HP930  | CUSHION, ecu rear                                | 1    |         | 5                 |

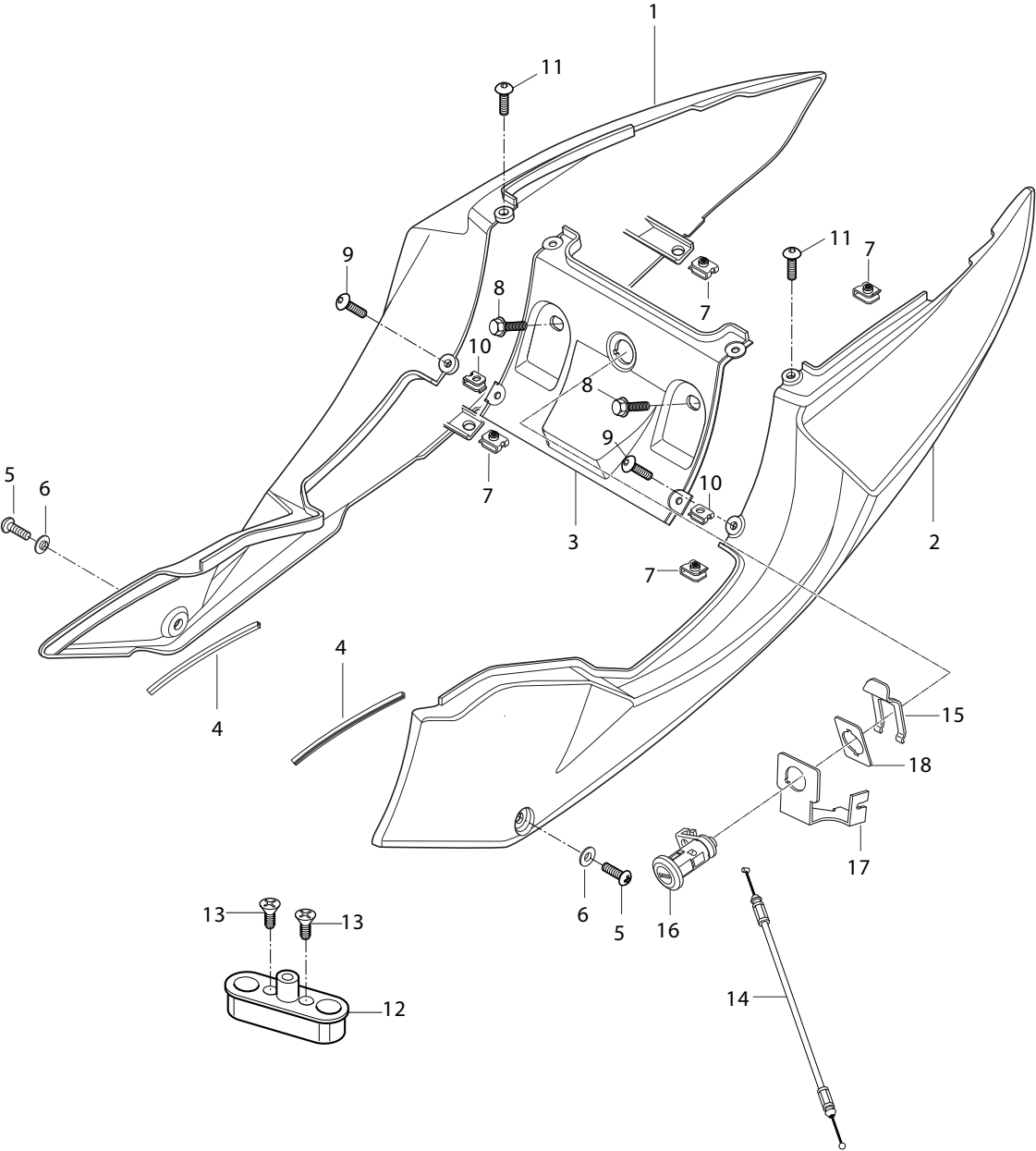
FIG 39 (2008)



## FIG 39. SIDE COVER(2008)

| REF.<br>NO. | GT650R - FI (2008)   |                |                | GT650RN - EI (2009)  |        |       |       | PART NAME                                     | Q'TY | REMARKS       | REC.Q'TY<br>(PCS) |
|-------------|----------------------|----------------|----------------|----------------------|--------|-------|-------|---|------|---------------|-------------------|
|             | 7EU01/7G01/7S01/7F01 | 7US02          | 8US01          | 9EU01/9G01/9S01/9F01 | BRAZIL | 9AT02 | 9US02 |   |      |               |                   |
| 1           | 4711HM8104           | 4711HM8104     | 4711HM8104     |                      |        |       |       | COVER, side RH(color: CBK,CDR-WITHOUT EMBLEM) | 1    |               |                   |
| 1           | 4711HMW300CBK        | 4711H797600BK  | 4711H797600BK  |                      |        |       |       | COVER, side RH (With tape 3NR)                | 1    |               |                   |
| 1           | 4711HMW310CBK        | 4711HMW310CBK  | 4711HMW310CBK  |                      |        |       |       | COVER, side RH (With tape 3UO)                | 1    | WATER DECALED |                   |
| 1           | 4711HMW510CBK        | 4711HMW510CBK  | 4711HMW510CBK  |                      |        |       |       | COVER, side RH (With tape 5UO)                | 1    | WATER DECALED |                   |
| 2           | 4721HM8105           | 4721HM8105     | 4721HM8105     |                      |        |       |       | COVER, side LH(color: CBK,CDR-WITHOUT EMBLEM) | 1    |               |                   |
| 2           | 4721HMW300CBK        | 4721H797600BK  | 4721H797600BK  |                      |        |       |       | COVER, side LH (With tape 3NR)                | 1    |               |                   |
| 2           | 4721HMW310CBK        | 4721HMW310CBK  | 4721HMW310CBK  |                      |        |       |       | COVER, side LH (With tape 3UO)                | 1    | WATER DECALED |                   |
| 2           | 4721HMW510CBK        | 4721HMW510CBK  | 4721HMW510CBK  |                      |        |       |       | COVER, side LH (With tape 5UO)                | 1    | WATER DECALED |                   |
| 3           | 47113HM8101          | 47113HM8101    | 47113HM8101    |                      |        |       |       | BOLT, luggage support                         | 2    |               | 20                |
| 4           | 08322-11088          | 08322-11088    | 08322-11088    |                      |        |       |       | WASHER, luggage bolt & frm side               | 2    |               | 20                |
| 5           | 09106H06150          | 09106H06150    | 09106H06150    |                      |        |       |       | SCREW, frm side front                         | 2    |               | 20                |
| 6           | 09169H06078          | 09169H06078    | 09169H06078    |                      |        |       |       | WASHER, frm side front                        | 2    |               | 20                |
| 7           | 02142-06165          | 02142-06165    | 02142-06165    |                      |        |       |       | SCREW, frm side center                        | 1    |               | 10                |
| 8           | 09148H05029          | 09148H05029    | 09148H05029    |                      |        |       |       | NUT, frm side rear up                         | 3    |               | 15                |
| 9           | 09106H05150          | 09106H05150    | 09106H05150    |                      |        |       |       | SCREW, frm side rear up                       | 3    |               | 15                |
| 10          | 02142-06165          | 02142-06165    | 02142-06165    |                      |        |       |       | SCREW, frm side low & frm                     | 2    |               | 10                |
| 11          | 09106H05150          | 09106H05150    | 09106H05150    |                      |        |       |       | SCREW, frm side low & rear fender             | 6    |               | 20                |
| 12          | 45220HM8101          | 45220HM8101    | 45220HM8101    |                      |        |       |       | LOCK ASS'Y, seat striker rear                 | 1    |               | 5                 |
| 13          | 02122-06308          | 02122-06308    | 02122-06308    |                      |        |       |       | SCREW, seat striker                           | 2    |               | 10                |
| 14          | 45280-35C00          | 45280-35C00    | 45280-35C00    |                      |        |       |       | CABLE COMP, seat lock                         | 1    |               | 5                 |
| 15          | 92414HF4500          | 92414HF4500    | 92414HF4500    |                      |        |       |       | LOCK, key set & seat lock guide               | 1    |               | 5                 |
| 16          | 45700HG2610          | 45700HG2610    | 45700HG2610    |                      |        |       |       | LOCK ASS'Y, seat                              | 1    |               |                   |
| 17          | 45381HG2601          | 45381HG2601    | 45381HG2601    |                      |        |       |       | GUIDE, seat lock cable                        | 1    |               | 5                 |
| 18          | 92413HF4501          | 92413HF4501    | 92413HF4501    |                      |        |       |       | WASHER, key set & seat lock guide             | 1    |               | 5                 |
| 19          | 47115HN9100          | 47115HN9100    | 47115HN9100    |                      |        |       |       | CAP, luggage support bolt                     | 2    |               | 10                |
| 20          | 68134HP9250015       | 68134HP9250015 | 68134HP9250015 |                      |        |       |       | TAPE, rear seat & side cover                  | 2    |               | 10                |
| 21          | 68204HN9100          | 68204HN9100    | 68204HN9100    |                      |        |       |       | TAPE, rear seat & s/cover R                   | 1    |               | 5                 |
| 22          | 68206HN9100          | 68206HN9100    | 68206HN9100    |                      |        |       |       | TAPE, rear seat & s/cover L                   | 1    |               | 5                 |

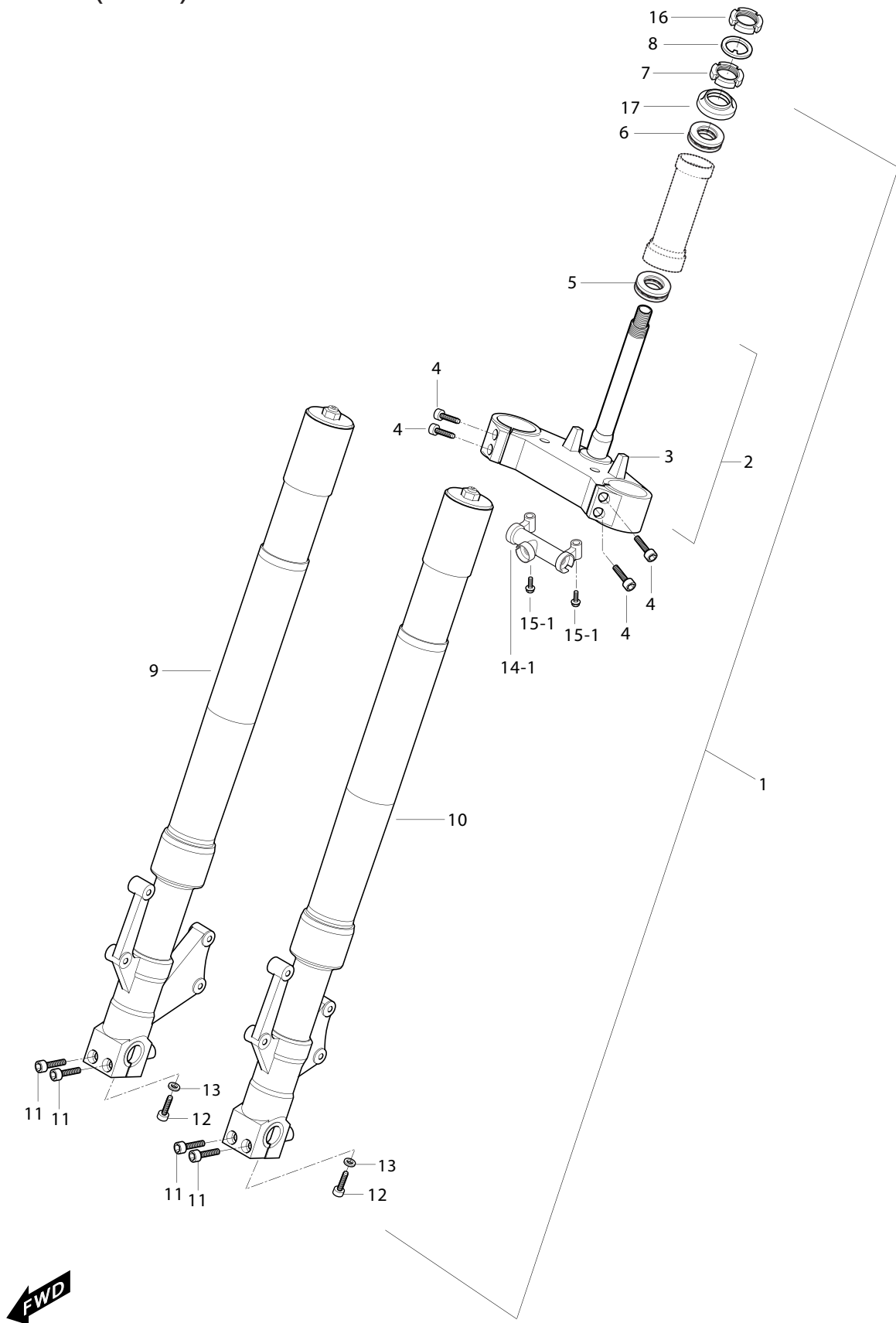
FIG 39 (2009)



# FIG 39. SIDE COVER(2009)

| REF.<br>NO. | GT650R - FI (2008)   |       |       | GT650RN - EI (2009)  |                |                |                | PART NAME                                    | Q'TY | REMARKS                                  | REC.Q'TY<br>(PCS) |
|-------------|----------------------|-------|-------|----------------------|----------------|----------------|----------------|--|------|--|-------------------|
|             | 7EU01/7G01/7S01/7F01 | 7US02 | 8US01 | 9EU01/9G01/9S01/9F01 | BRAZIL         | 9AT02          | 9US02          |  |      |  |                   |
| 1           |                      |       |       | 47111H99700CBK       | 47111H99700CBK | 47111H99700CBK | 47111H99700CBK | COVER, side R                                | 1    | Black,Silver/Black,White/Black,Red/Black |                   |
| 1           |                      |       |       | 47111H99700CDR       | 47111H99700CDR | 47111H99700CDR | 47111H99700CDR | COVER, side R                                | 1    | Red                                      |                   |
| 2           |                      |       |       | 47211H99700CBK       | 47211H99700CBK | 47211H99700CBK | 47211H99700CBK | COVER, side L                                | 1    | Black,Silver/Black,White/Black,Red/Black |                   |
| 2           |                      |       |       | 47211H99700CDR       | 47211H99700CDR | 47211H99700CDR | 47211H99700CDR | COVER, side L                                | 1    | Red                                      |                   |
| 3           |                      |       |       | 47311H99700CBK       | 47311H99700CBK | 47311H99700CBK | 47311H99700CBK | COVER, center                                | 1    | Black,Silver/Black,White/Black,Red/Black |                   |
| 3           |                      |       |       | 47311H99700CDR       | 47311H99700CDR | 47311H99700CDR | 47311H99700CDR | COVER, center                                | 1    | Red                                      |                   |
| 4           |                      |       |       | 94631H99700          | 94631H99700    | 94631H99700    | 94631H99700    | MOLDING, side cover                          | 2    |  | 20                |
| 5           |                      |       |       | 09106H06150          | 09106H06150    | 09106H06150    | 09106H06150    | SCREW, frame side front                      | 2    |  | 20                |
| 6           |                      |       |       | 09169H06078          | 09169H06078    | 09169H06078    | 09169H06078    | WASHER, frame side front                     | 2    |  | 20                |
| 7           |                      |       |       | 09148-06020          | 09148-06020    | 09148-06020    | 09148-06020    | NUT, side cover lower & RR fender FT lower   | 4    |  | 10                |
| 8           |                      |       |       | 01517-06258          | 01517-06258    | 01517-06258    | 01517-06258    | BOLT, front seat                             | 2    |  | 15                |
| 9           |                      |       |       | 09106H05150          | 09106H05150    | 09106H05150    | 09106H05150    | SCREW, center cover & side cover lower       | 2    |  | 15                |
| 10          |                      |       |       | 09148H05029          | 09148H05029    | 09148H05029    | 09148H05029    | NUT, center cover & side cover lower         | 2    |  | 10                |
| 11          |                      |       |       | 09106H06150          | 09106H06150    | 09106H06150    | 09106H06150    | SCREW, frame side cover & center cover upper | 2    |  | 20                |
| 12          |                      |       |       | 45220HM8101          | 45220HM8101    | 45220HM8101    | 45220HM8101    | LOCK ASS'Y, seat striker rear                | 1    |  | 5                 |
| 13          |                      |       |       | 02122-06308          | 02122-06308    | 02122-06308    | 02122-06308    | SCREW, seat striker                          | 2    |  | 10                |
| 14          |                      |       |       | 45280-35C00          | 45280-35C00    | 45280-35C00    | 45280-35C00    | CABLE COMP, seat lock                        | 1    |  | 5                 |
| 15          |                      |       |       | 92414HF4500          | 92414HF4500    | 92414HF4500    | 92414HF4500    | LOCK, key set & seat lock guide              | 1    |  | 5                 |
| 16          |                      |       |       | 45700HG2630          | 45700HG2630    | 45700HG2630    | 45700HG2630    | LOCK ASS'Y, seat                             | 1    |  |                   |
| 17          |                      |       |       | 45381HG2601          | 45381HG2601    | 45381HG2601    | 45381HG2601    | GUIDE, seat lock cable                       | 1    |  | 5                 |
| 18          |                      |       |       | 92413HF4501          | 92413HF4501    | 92413HF4501    | 92413HF4501    | WASHER, key set & seat lock guide            | 1    |  | 5                 |
| *           |                      |       |       | 68920HN92300E5       |                | 68920HN92300E5 | 68920HN92300E5 | EMBLEM,EFI(for BLACK)                        | 1    |  | 10                |
| *           |                      |       |       | 68920HN92300E6       |                | 68920HN92300E6 | 68920HN92300E6 | EMBLEM,EFI(for RED,WHITE)                    | 1    |  | 10                |

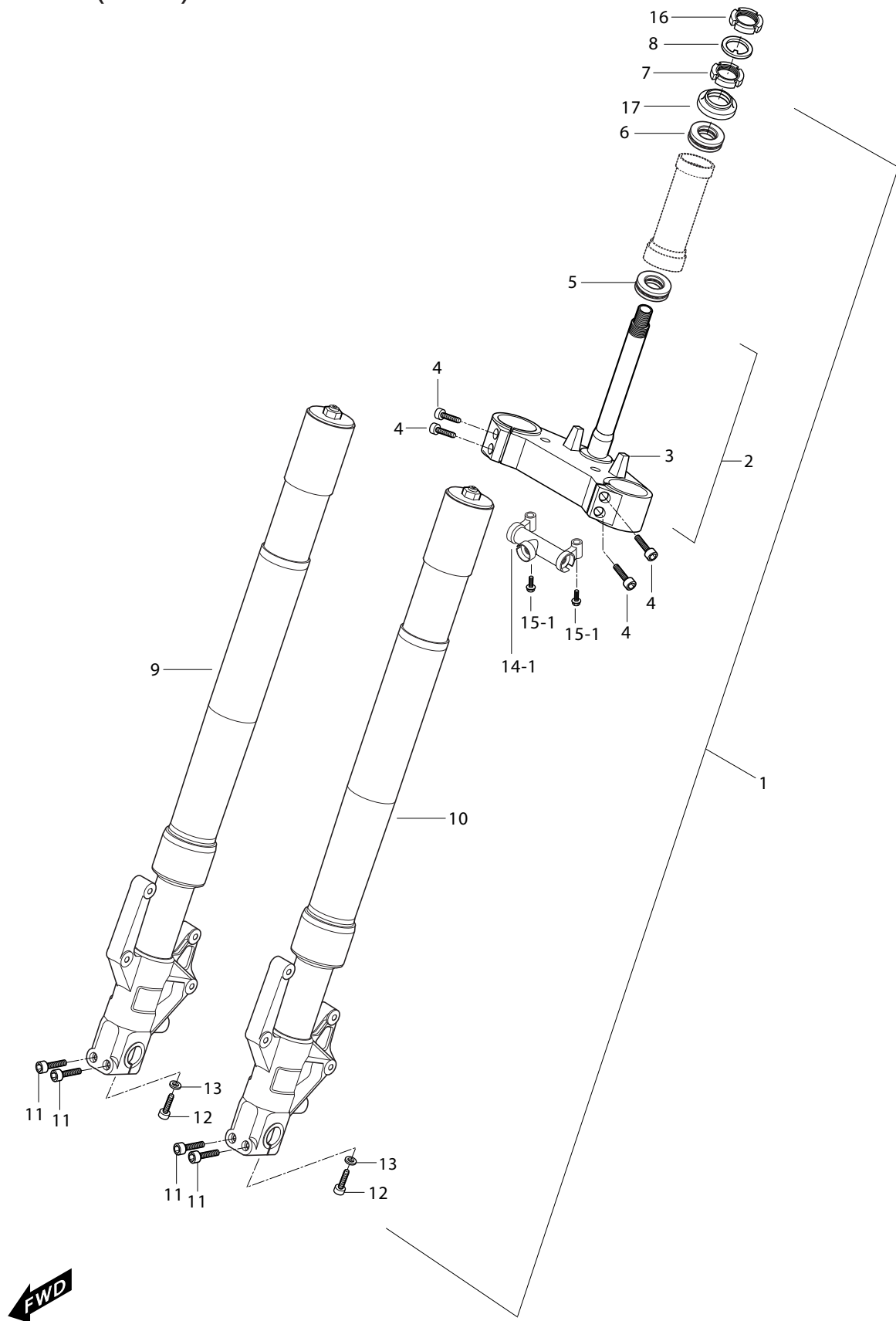
FIG 40 (2008)



## FIG 40. FRONT FORK(2008)

| REF.<br>NO. | GT650R - FI (2008)   |                |                | GT650RN - EI (2009)  |        |       | PART NAME                         | Q'TY | REMARKS  | REC.Q'TY<br>(PCS) |
|-------------|----------------------|----------------|----------------|----------------------|--------|-------|-----------------------------------|------|----------|-------------------|
|             | 7EU01/7G01/7S01/7F01 | 7US02          | 8US01          | 9EU01/9G01/9S01/9F01 | BRAZIL | 9AT02 |                                   |      |          |                   |
| 1           | 51100HP9250HPA       | 51100HP9250HPA | 51100HP9250HPA |                      |        |       | FORK ASS'Y, front(BLACK)          | 1    |          | 5                 |
| 2           | 51411HP9204          | 51411HP9204    | 51411HP9204    |                      |        |       | BRACKET COMP, front fork under    | 1    |          | 5                 |
| 3           | 51411HP9201          | 51411HP9201    | 51411HP9201    |                      |        |       | BRACKET, front fork under         | 1    | NOT SALE |                   |
| 3~0         | 51411HP9204          | 51411HP9204    | 51411HP9204    |                      |        |       | BRACKET, front fork under         | 1    | NOT SALE |                   |
| 3-1         | 51412HM8102          | 51412HM8102    | 51412HM8102    |                      |        |       | STEER'G STEM                      | 1    | NOT SALE |                   |
| 3-2         | 51413HM8100          | 51413HM8100    | 51413HM8100    |                      |        |       | STOPP.ft fork under               | 1    | NOT SALE |                   |
| 4           | 07110-08258          | 07110-08258    | 07110-08258    |                      |        |       | BOLT, front fork under bracket    | 4    |          | 55                |
| 5           | 09265H25001          | 09265H25001    | 09265H25001    |                      |        |       | BEARING, steering lower           | 1    |          | 5                 |
| 6           | 09265H28001          | 09265H28001    | 09265H28001    |                      |        |       | BEARING, steering upper           | 1    |          | 5                 |
| 7           | 51631-28000          | 51631-28000    | 51631-28000    |                      |        |       | NUT, steering stem                | 1    |          | 5                 |
| 8           | 09166H25001          | 09166H25001    | 09166H25001    |                      |        |       | WASHER, steering stem             | 1    |          | 5                 |
| 9-1         | 51210HP9250120       | 51210HP9250120 | 51210HP9250120 |                      |        |       | DAMPER ASS'Y, front fork R(BLACK) | 1    |          |                   |
| 10-1        | 51220HP9250120       | 51220HP9250120 | 51220HP9250120 |                      |        |       | DAMPER ASS'Y, front fork L(BLACK) | 1    |          |                   |
| 10-A1       | 52120HP9400          | 52120HP9400    | 52120HP9400    |                      |        |       | CAP, OUTER TUBE(BLUE)             | 2    |          |                   |
| 10-B1       | 52210HP9400120       | 52210HP9400120 | 52210HP9400120 |                      |        |       | UPPER CASE, FORK(BLACK)           | 2    |          |                   |
| 10-C        | 52110-N9100          | 52110-N9100    | 52110-N9100    |                      |        |       | PIPE, FORK                        | 2    |          |                   |
| 10-D        | 51255HG5800          | 51255HG5800    | 51255HG5800    |                      |        |       | OIL SEAL, FORK                    | 2    |          |                   |
| 10-D1       | 52620-G5800          | 52620-G5800    | 52620-G5800    |                      |        |       | AIR DUST COVER                    | 2    |          |                   |
| 10-E1       | 52280HP9400120       | 52280HP9400120 | 52280HP9400120 |                      |        |       | BOTTOM BLOCK RH(BLACK)            | 1    |          |                   |
| 10-F1       | 52270HP9400120       | 52270HP9400120 | 52270HP9400120 |                      |        |       | BOTTOM BLOCK LH(BLACK)            | 1    |          |                   |
| 11          | 09106H08458          | 09106H08458    | 09106H08458    |                      |        |       | BOLT, axle grip                   | 4    |          | 40                |
| 12          | 07110-08258          | 07110-08258    | 07110-08258    |                      |        |       | BOLT, fork clip                   | 2    |          | 55                |
| 13          | 90544H93B00          | 90544H93B00    | 90544H93B00    |                      |        |       | WASHER, spacer                    | 2    |          |                   |
| 14          | 51511HN9101          | 51511HN9101    | 51511HN9101    |                      |        |       | JOINT, front brake hose           | 1    |          |                   |
| 15          | 01517-06308          | 01517-06308    | 01517-06308    |                      |        |       | BOLT, front brake hose joint      | 2    |          |                   |
| 16          | 51631HN9100          | 51631HN9100    | 51631HN9100    |                      |        |       | NUT, steering stem upper          | 1    |          |                   |
| 17          | 51643HG5801          | 51643HG5801    | 51643HG5801    |                      |        |       | DUST SEAL, steering upper         | 1    |          | 5                 |
| 18          | 09164H28001          | 09164H28001    | 09164H28001    |                      |        |       | WASHER, PROTECTOR                 | 1    |          | 5                 |

FIG 40 (2009)

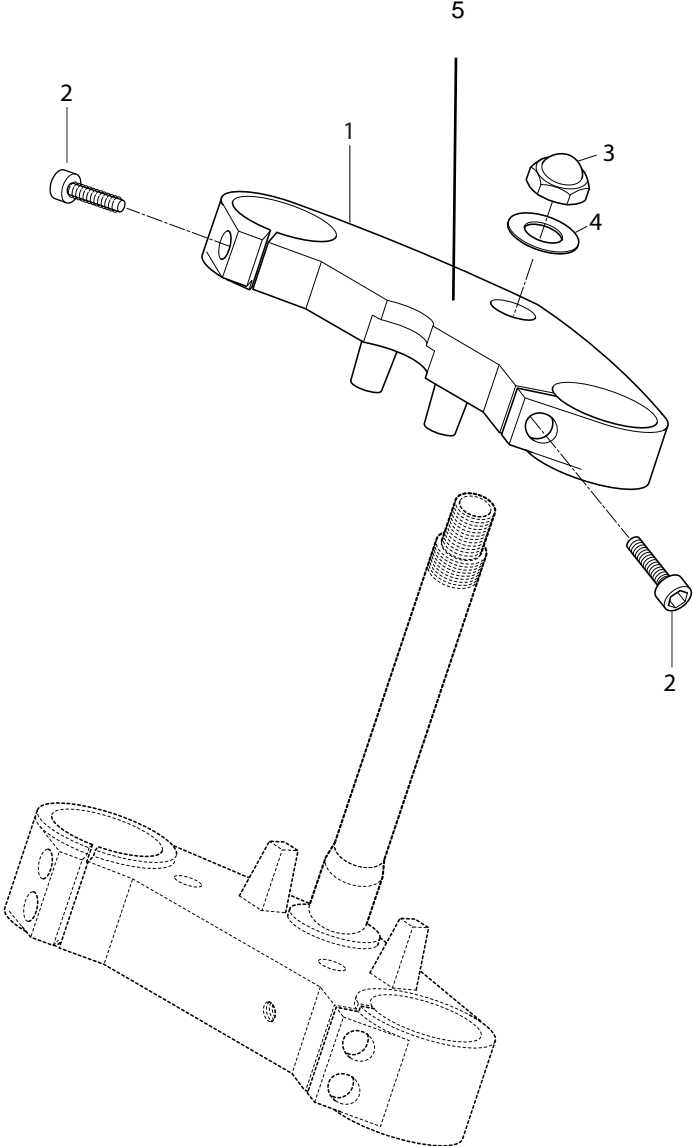




## FIG 40. FRONT FORK(2009)

| REF.<br>NO. | GT650R - FI (2008)   |       |       | GT650RN - EI (2009)  |             |             |             | PART NAME                      | Q'TY | REMARKS | REC.Q'TY<br>(PCS) |
|-------------|----------------------|-------|-------|----------------------|-------------|-------------|-------------|--------------------------------|------|---------|-------------------|
|             | 7EU01/7G01/7S01/7F01 | 7US02 | 8US01 | 9EU01/9G01/9S01/9F01 | BRAZIL      | 9AT02       | 9US02       |                                |      |         |                   |
| 1           |                      |       |       | 51100H99700          | 51100H99700 | 51100H99700 | 51100H99700 | FORK ASS'Y, front              | 1    |         | 5                 |
| 2           |                      |       |       | 51410HP9205          | 51410HP9205 | 51410HP9205 | 51410HP9205 | BRACKET COMP, front fork under | 1    |         | 5                 |
| 3           |                      |       |       | 51411HP9205          | 51411HP9205 | 51411HP9205 | 51411HP9205 | BRACKET, front fork under      | 1    |         |                   |
| 4           |                      |       |       | 07110-08258          | 07110-08258 | 07110-08258 | 07110-08258 | BOLT, front fork under bracket | 4    |         |                   |
| 5           |                      |       |       | 09265H25001          | 09265H25001 | 09265H25001 | 09265H25001 | BEARING, steering lower        | 1    |         |                   |
| 6           |                      |       |       | 09265H28001          | 09265H28001 | 09265H28001 | 09265H28001 | BEARING, steering upper        | 1    |         |                   |
| 7           |                      |       |       | 51631-28000          | 51631-28000 | 51631-28000 | 51631-28000 | NUT, steering stem             | 1    |         | 55                |
| 8           |                      |       |       | 09166H25001          | 09166H25001 | 09166H25001 | 09166H25001 | WASHER, steering stem          | 1    |         | 5                 |
| 9           |                      |       |       | 51210H99700          | 51210H99700 | 51210H99700 | 51210H99700 | DAMPER ASSY, front fork R      | 1    |         | 5                 |
| 10          |                      |       |       | 51220H99700          | 51220H99700 | 51220H99700 | 51220H99700 | DAMPER ASSY, front fork L      | 1    |         | 5                 |
| 11          |                      |       |       | 07120-08508          | 07120-08508 | 07120-08508 | 07120-08508 | BOLT, axle grip                | 4    |         | 5                 |
| 12          |                      |       |       | 07110-08256          | 07110-08256 | 07110-08256 | 07110-08256 | BOLT, fork clip                | 2    |         |                   |
| 13          |                      |       |       | 90544H93B00          | 90544H93B00 | 90544H93B00 | 90544H93B00 | WASHER, spacer                 | 2    |         |                   |
| 14-1        |                      |       |       | 51511HN9100          | 51511HN9100 | 51511HN9100 | 51511HN9100 | JOINT, front brake hose        | 1    |         |                   |
| 15-1        |                      |       |       | 01517-06358          | 01517-06358 | 01517-06358 | 01517-06358 | BOLT, front brake hose joint   | 2    |         |                   |
| 16          |                      |       |       | 51631HN9101          | 51631HN9101 | 51631HN9101 | 51631HN9101 | NUT, steering stem upper       | 1    |         |                   |
| 17          |                      |       |       | 51643HG5801          | 51643HG5801 | 51643HG5801 | 51643HG5801 | DUST SEAL, steering upper      | 1    |         |                   |

FIG 41

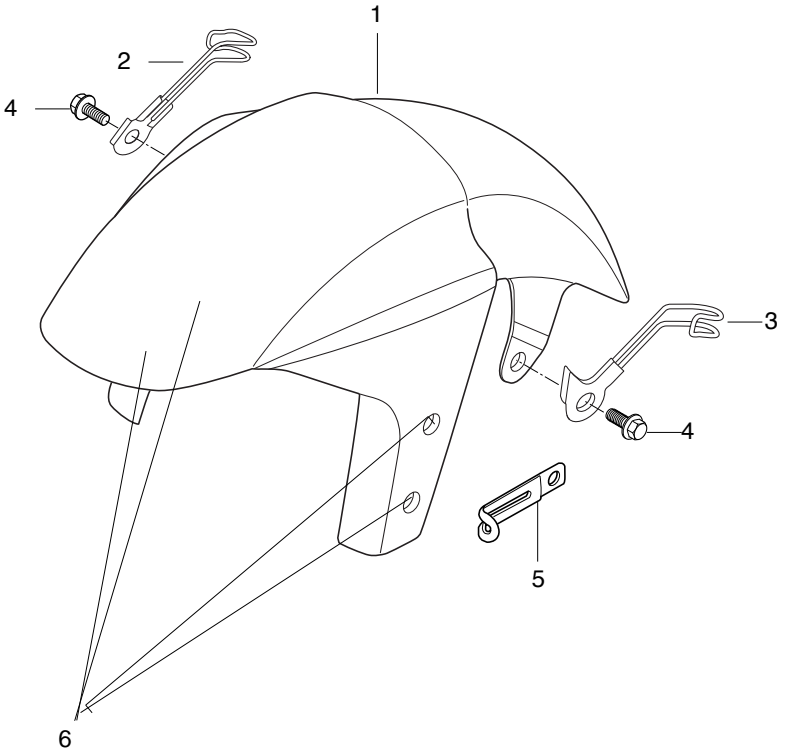


**FWD** ←

## FIG 41. STEERING HEAD

| REF.<br>NO. | GT650R - FI (2008)   |                |                | GT650RN - EI (2009)  |                |                |                | PART NAME                      | Q'TY | REMARKS | REC.Q'TY<br>(PCS) |
|-------------|----------------------|----------------|----------------|----------------------|----------------|----------------|----------------|--------------------------------|------|---------|-------------------|
|             | 7EU01/7G01/7S01/7F01 | 7US02          | 8US01          | 9EU01/9G01/9S01/9F01 | BRAZIL         | 9AT02          | 9US02          |                                |      |         |                   |
| 1           | 51311HP940003P       | 51311HP940003P | 51311HP940003P | 51311HP940003P       | 51311HP940003P | 51311HP940003P | 51311HP940003P | BRACKET, front fork upper      | 1    |         | 5                 |
| 2           | 07110-08258          | 07110-08258    | 07110-08258    | 07110-08258          | 07110-08258    | 07110-08258    | 07110-08258    | BOLT, front fork upper bracket | 2    |         | 55                |
| 3           | 09159H22002          | 09159H22002    | 09159H22002    | 09159H22002          | 09159H22002    | 09159H22002    | 09159H22002    | NUT, str upper                 | 1    |         | 5                 |
| 4           | 09160H22032          | 09160H22032    | 09160H22032    | 09160H22032          | 09160H22032    | 09160H22032    | 09160H22032    | WASHER, str upper              | 1    |         | 5                 |
| 5           | 68140HP9400          | 68140HP9400    | 68140HP9400    | 68140HP9400          | 68140HP9400    | 68140HP9400    | 68140HP9400    | EMBLEM                         | 1    |         |                   |

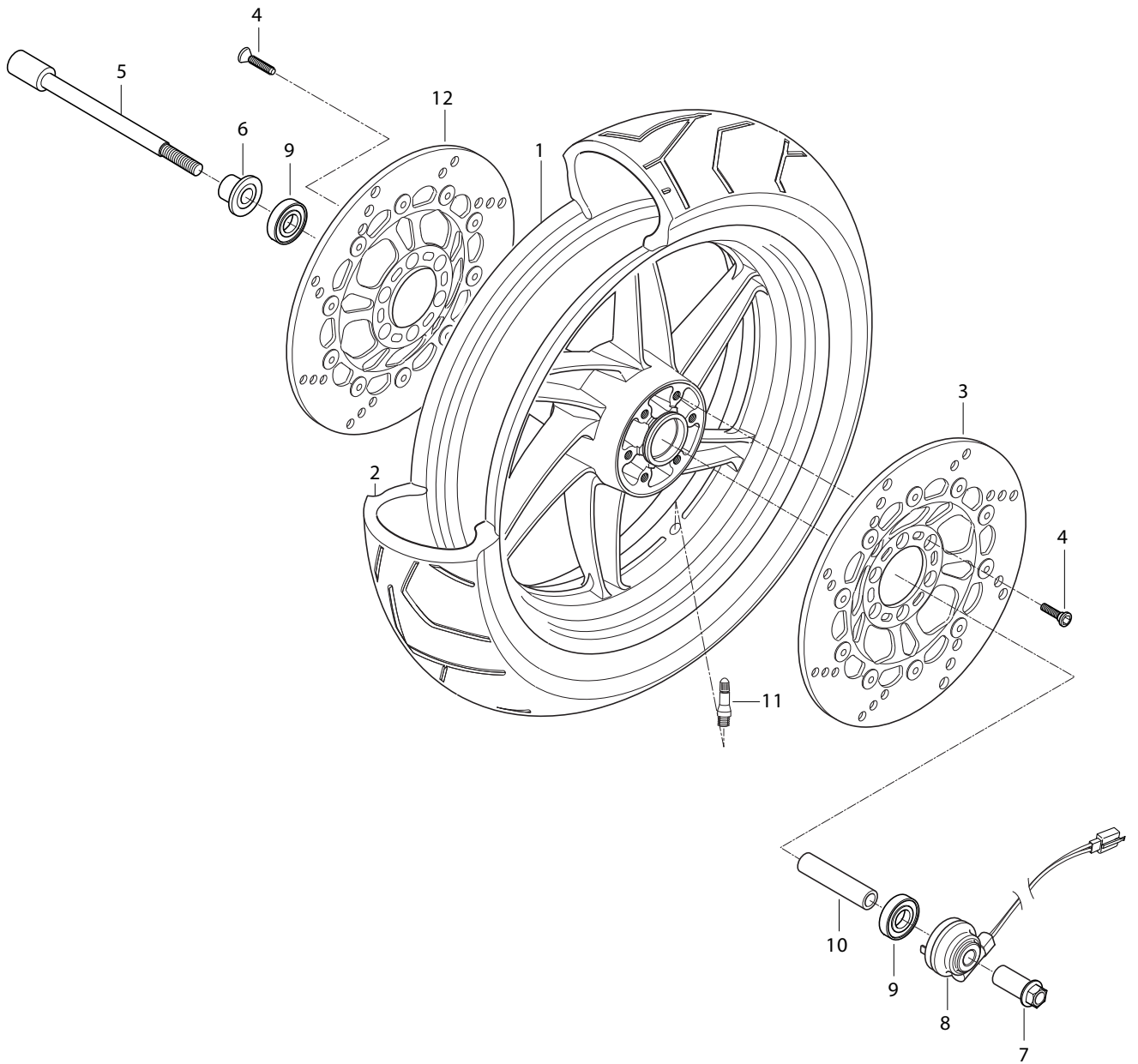
FIG 42



## FIG 42. FRONT FENDER

| REF.<br>NO. | GT650R - FI (2008)   |                |                | GT650RN - EI (2009)  |                |                |                | PART NAME                        | Q'TY | REMARKS | REC.Q'TY<br>(PCS) |
|-------------|----------------------|----------------|----------------|----------------------|----------------|----------------|----------------|----------------------------------|------|---------|-------------------|
|             | 7EU01/7G01/7S01/7F01 | 7US02          | 8US01          | 9EU01/9G01/9S01/9F01 | BRAZIL         | 9AT02          | 9US02          |                                  |      |         |                   |
| 1           | 53111HM81000DR       | 53111HM81000DR | 53111HM81000DR | 53111HM81000DR       | 53111HM81000DR | 53111HM81000DR | 53111HM81000DR | FENDER, front(only RED)          | 1    |         | 5                 |
| 1           | 53111HM81000BK       | 53111HM81000BK | 53111HM81000BK | 53111HM81000BK       | 53111HM81000BK | 53111HM81000BK | 53111HM81000BK | FENDER, front                    | 1    |         | 5                 |
| 2           | 59430HN9100          | 59430HN9100    | 59430HN9100    | 59430HN9100          | 59430HN9100    | 59430HN9100    | 59430HN9100    | CLAMP COMP, front brake hose R   | 1    |         | 5                 |
| 3           | 59440HN9100          | 59440HN9100    | 59440HN9100    | 59440HN9100          | 59440HN9100    | 59440HN9100    | 59440HN9100    | CLAMP COMP, front brake hose L   | 1    |         | 5                 |
| 4           | 01517-08126          | 01517-08126    | 01517-08126    | 01517-08126          | 01517-08126    | 01517-08126    | 01517-08126    | BOLT, front brake hose clamp R/L | 2    |         | 10                |
| 5           | 09404-08403          | 09404-08403    | 09404-08403    | 09404-08403          | 09404-08403    | 09404-08403    | 09404-08403    | CLAMP, speed sensor              | 1    |         |                   |
| 6           | 09169H06078          | 09169H06078    | 09169H06078    | 09169H06078          | 09169H06078    | 09169H06078    | 09169H06078    | WASHER, front fender             | 4    |         |                   |

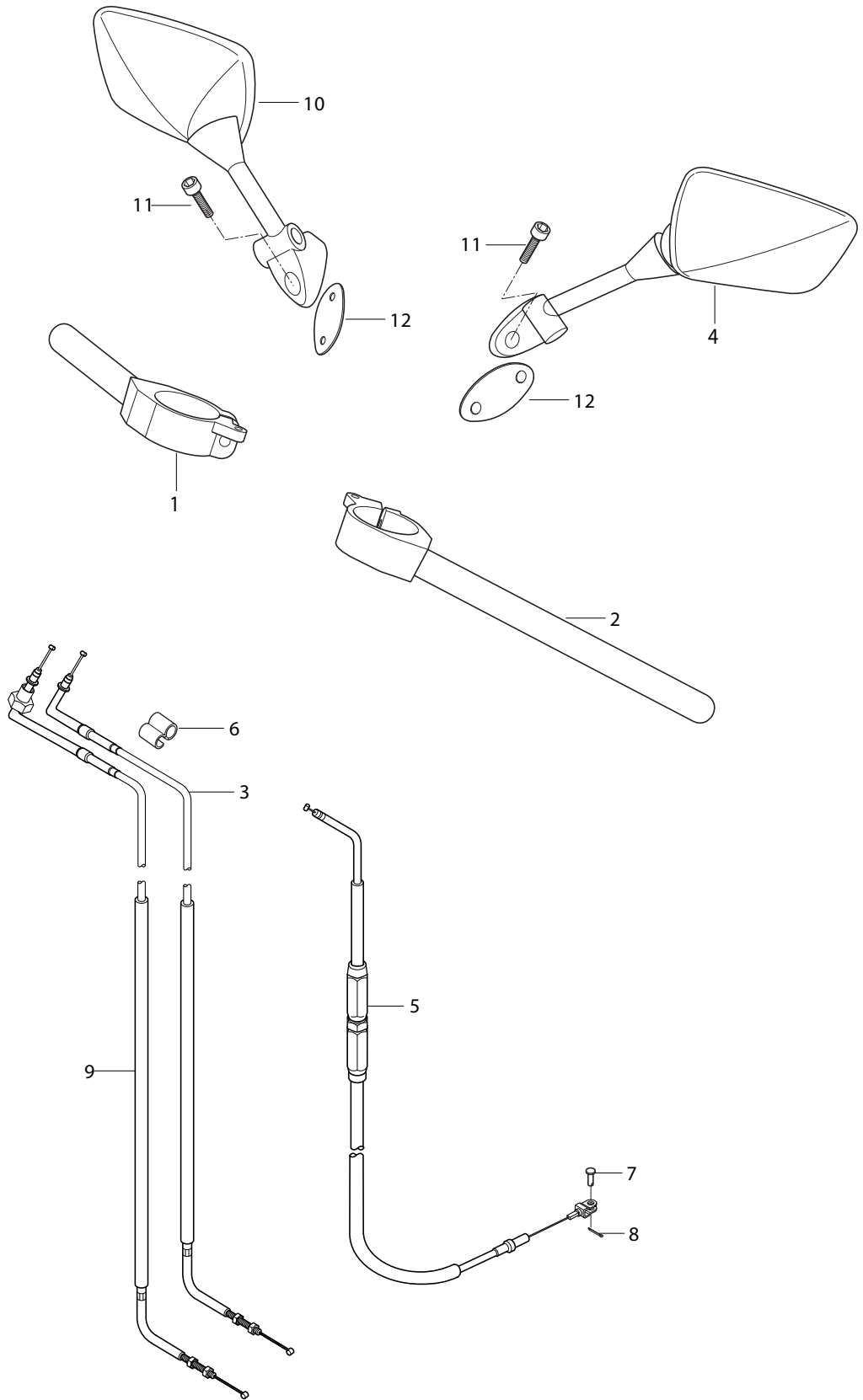
FIG 43



## FIG 43. FRONT WHEEL

| REF.<br>NO. | GT650R - FI (2008)   |                |                | GT650RN - EI (2009)  |                |                |                | PART NAME                        | Q'TY | REMARKS | REC.Q'TY<br>(PCS) |
|-------------|----------------------|----------------|----------------|----------------------|----------------|----------------|----------------|----------------------------------|------|---------|-------------------|
|             | 7EU01/7G01/7S01/7F01 | 7US02          | 8US01          | 9EU01/9G01/9S01/9F01 | BRAZIL         | 9AT02          | 9US02          |                                  |      |         |                   |
| 1           | 54140HN9101120       | 54140HN9101120 | 54140HN9101120 | 54140HN9101120       | 54140HN9101120 | 54140HN9101120 | 54140HN9101120 | WHEEL + BEARING                  | 1    |         | 5                 |
| 2           | 55100HN9101          | 55100HN9101    | 55100HN9101    | 55100HN9101          | 55100HN9101    | 55100HN9101    | 55100HN9101    | TIRE COMP, front (120/60-17 55W) | 1    |         | 5                 |
| 3           | 59211HM8101          | 59211HM8101    | 59211HM8101    | 59211HM8101          | 59211HM8101    | 59211HM8101    | 59211HM8101    | DISC COMP, front L               | 1    |         | 5                 |
| 4           | 59421-03A01          | 59421-03A01    | 59421-03A01    | 59421-03A01          | 59421-03A01    | 59421-03A01    | 59421-03A01    | BOLT, front brake disc           | 12   |         | 90                |
| 5           | 54711HG5101          | 54711HG5101    | 54711HG5101    | 54711HG5101          | 54711HG5101    | 54711HG5101    | 54711HG5101    | AXLEL, front                     | 1    |         | 5                 |
| 6           | 54740HM8101          | 54740HM8101    | 54740HM8101    | 54740HM8101          | 54740HM8101    | 54740HM8101    | 54740HM8101    | SPACER COMP, front axle R        | 1    |         | 5                 |
| 7           | 54721HM8100          | 54721HM8100    | 54721HM8100    | 54721HM8100          | 54721HM8100    | 54721HM8100    | 54721HM8100    | NUT, front axle                  | 1    |         | 5                 |
| 8           | 34860HP9201          | 34860HP9201    | 34860HP9201    | 34860HP9201          | 34860HP9201    | 34860HP9201    | 34860HP9201    | SENSOR ASS'Y, speedometer        | 1    |         | 5                 |
| 9           | 08124-63027          | 08124-63027    | 08124-63027    | 08124-63027          | 08124-63027    | 08124-63027    | 08124-63027    | BEARING, front hub               | 2    |         | 10                |
| 10          | 54731HM8100          | 54731HM8100    | 54731HM8100    | 54731HM8100          | 54731HM8100    | 54731HM8100    | 54731HM8100    | SPACER, front hub                | 1    |         | 5                 |
| 11          | 55220-29C20          | 55220-29C20    | 55220-29C20    | 55220-29C20          | 55220-29C20    | 55220-29C20    | 55220-29C20    | VALVE ASS'Y, wheel rim           | 1    |         | 5                 |
| 12          | 59221HM8161          | 59221HM8161    | 59221HM8161    | 59221HM8161          | 59221HM8161    | 59221HM8161    | 59221HM8161    | DISC COMP, F/T R                 | 1    |         | 5                 |

FIG 44



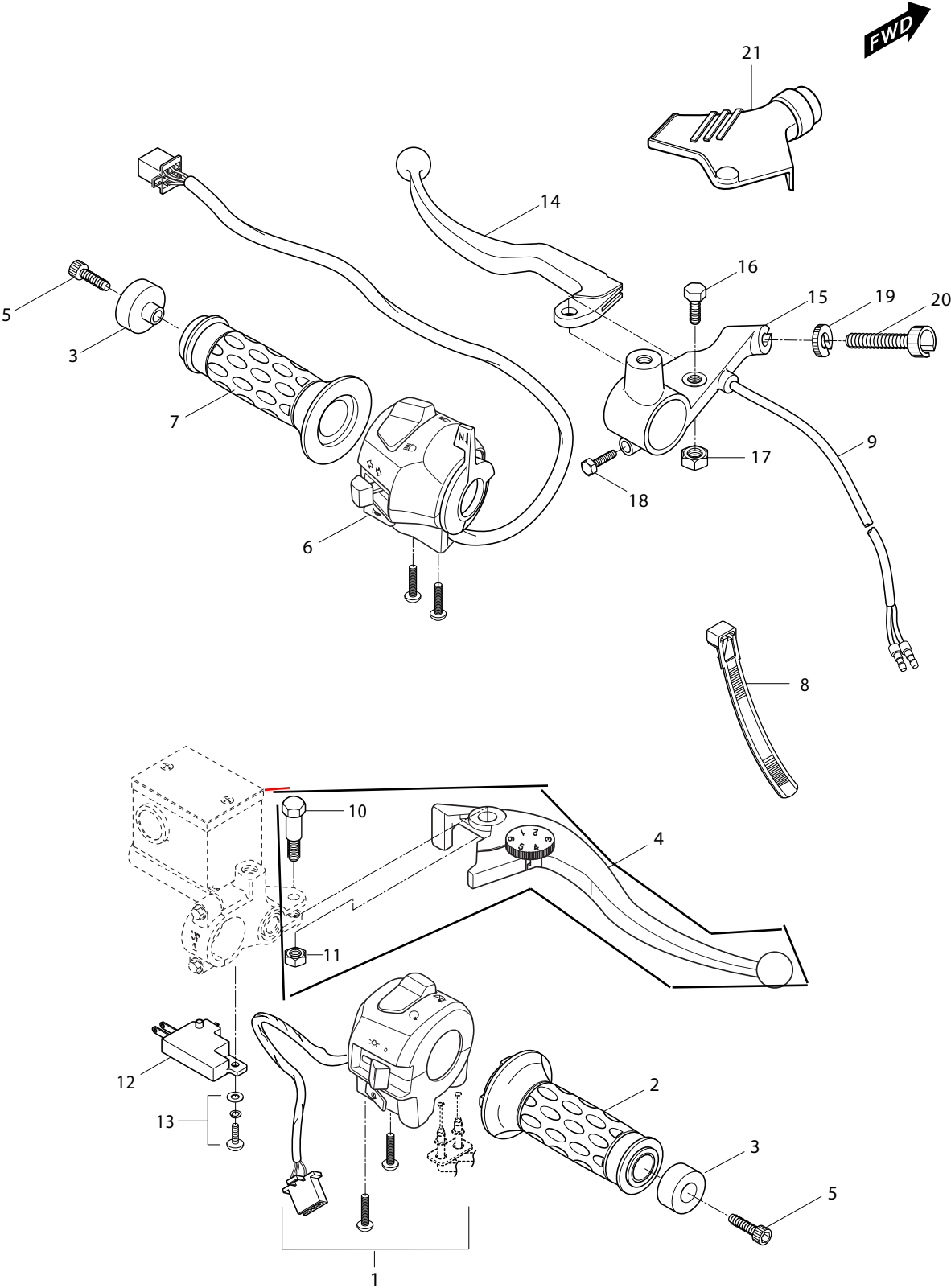
FWD



# FIG 44. HANDLE BAR

| REF. NO. | GT650R - FI (2008)   |             |             | GT650RN - EI (2009)  |             |             |             | PART NAME                           | Q'TY | REMARKS | REC.Q'TY (PCS) |
|----------|----------------------|-------------|-------------|----------------------|-------------|-------------|-------------|-------------------------------------|------|---------|----------------|
|          | 7EU01/7G01/7S01/7F01 | 7US02       | 8US01       | 9EU01/9G01/9S01/9F01 | BRAZIL      | 9AT02       | 9US02       |                                     |      |         |                |
| 1        | 56110HP9203          | 56110HP9203 | 56110HP9203 | 56110HP9203          | 56110HP9203 | 56110HP9203 | 56110HP9203 | HANDLE BAR COMP. R                  | 1    |         | 5              |
| 2        | 56120HP9204          | 56120HP9204 | 56120HP9204 | 56120HP9204          | 56120HP9204 | 56120HP9204 | 56120HP9204 | HANDLE BAR COMP. L                  | 1    |         | 5              |
| 3        | 58300HR9700          | 58300HR9700 | 58300HR9700 | 58300HR9700          | 58300HR9700 | 58300HR9700 | 58300HR9700 | CABLE ASS'Y, throttle               | 1    |         | 5              |
| 4        | 56600HP9200          | 56600HP9200 | 56600HP9200 | 56600HP9200          | 56600HP9200 | 56600HP9200 | 56600HP9200 | MIRROR ASS'Y, rear view L           | 1    |         | 5              |
| 5        | 58200HP9203          | 58200HP9203 | 58200HP9203 | 58200HP9203          | 58200HP9203 | 58200HP9203 | 58200HP9203 | CABLE ASS'Y CLUTCH                  | 1    |         | 5              |
| 6        | 09408-00002          | 09408-00002 | 09408-00002 | 09408-00002          | 09408-00002 | 09408-00002 | 09408-00002 | CLIP, throttle cable & return cable | 1    |         | 5              |
| 7        | 09200-06004          | 09200-06004 | 09200-06004 | 09200-06004          | 09200-06004 | 09200-06004 | 09200-06004 | PIN, clutch cable                   | 1    |         | 5              |
| 8        | 04111-20158          | 04111-20158 | 04111-20158 | 04111-20158          | 04111-20158 | 04111-20158 | 04111-20158 | COTTER PIN, clutch                  | 1    |         | 5              |
| 9        | 58600HR9700          | 58600HR9700 | 58600HR9700 | 58600HR9700          | 58600HR9700 | 58600HR9700 | 58600HR9700 | CABLE ASS'Y, throttle return        | 1    |         | 5              |
| 10       | 56500HP9200          | 56500HP9200 | 56500HP9200 | 56500HP9200          | 56500HP9200 | 56500HP9200 | 56500HP9200 | MIRROR ASS'Y, rear view R           | 1    |         | 5              |
| 11       | 07110-06205          | 07110-06205 | 07110-06205 | 07110-06205          | 07110-06205 | 07110-06205 | 07110-06205 | BOLT, mirror assy                   | 4    |         | 10             |
| 12       | 56503HP9200          | 56503HP9200 | 56503HP9200 | 56503HP9200          | 56503HP9200 | 56503HP9200 | 56503HP9200 | CUSHION, rear view mirror           | 2    |         | 10             |
| *        | 56501HP9200          | 56501HP9260 | 56501HP9260 | 56501HP9200          | 56501HP9200 | 56501HP9200 | 56501HP9260 | MIRROR SET                          | 1    |         | 5              |

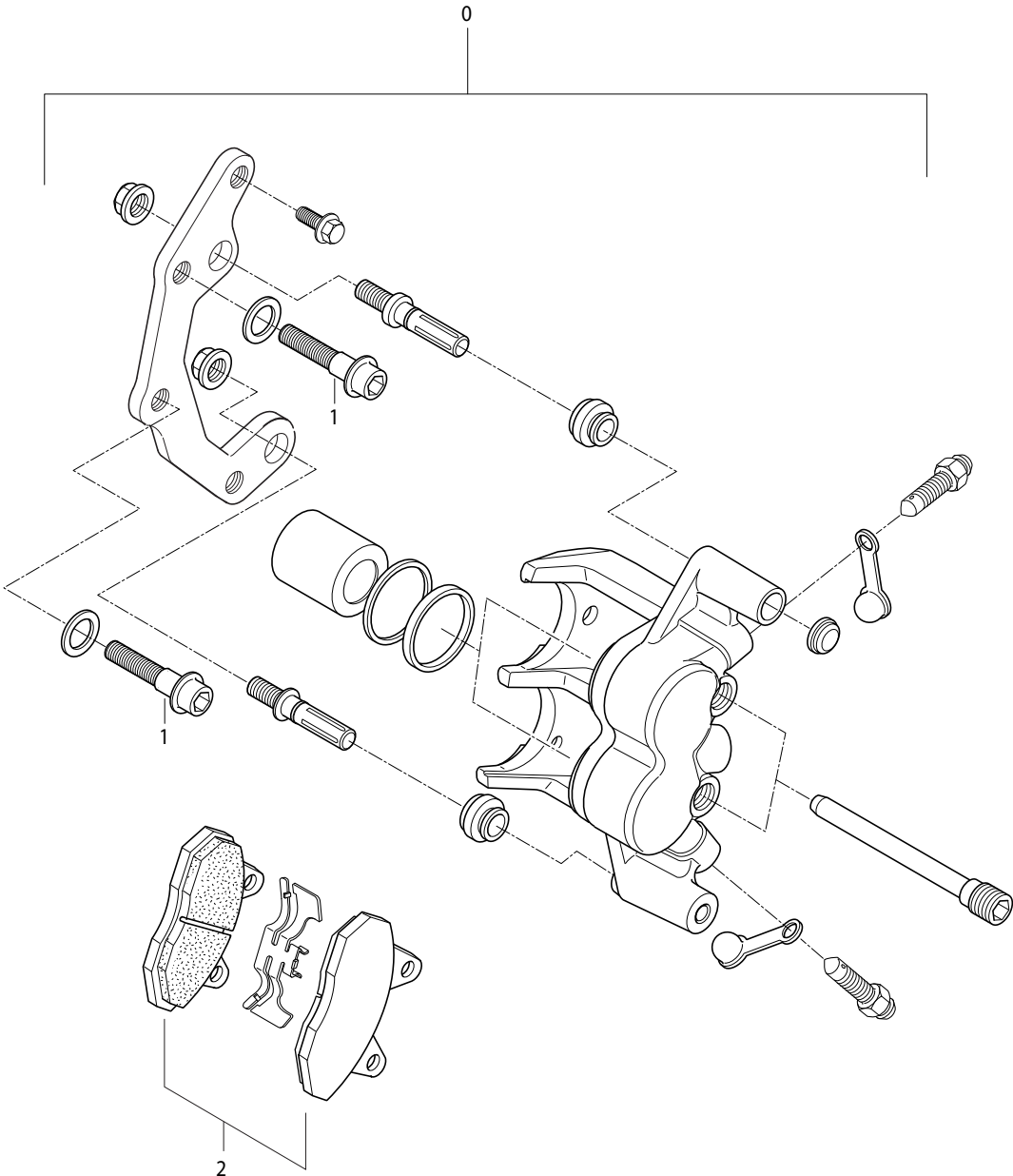
FIG 45



# FIG 45. HANDLE SWITCH

| REF. NO. | GT650R - FI (2008)   |                |                | GT650RN - EI (2009)  |                |                |                | PART NAME                    | Q'TY | REMARKS | REC.Q'TY (PCS) |
|----------|----------------------|----------------|----------------|----------------------|----------------|----------------|----------------|------------------------------|------|---------|----------------|
|          | 7EU01/7G01/7S01/7F01 | 7US02          | 8US01          | 9EU01/9G01/9S01/9F01 | BRAZIL         | 9AT02          | 9US02          |                              |      |         |                |
| 1        | 37200HN9100          | 37200HN9100    | 37200HN9100    | 37200HN9100          | 37200HN9100    | 37200HN9100    | 37200HN9100    | SWITCH ASSY, handle R        | 1    |         | 5              |
| 2        | 57110HP9300          | 57110HP9300    | 57110HP9300    | 57110HP9300          | 57110HP9300    | 57110HP9300    | 57110HP9300    | GRIP COMP, throttle          | 1    |         | 5              |
| 3        | 56271HF4501PLA       | 56271HF4501PLA | 56271HF4501PLA | 56271HF4501PLA       | 56271HF4501PLA | 56271HF4501PLA | 56271HF4501PLA | BALANCER, handlebar          | 2    |         | 5              |
| 4        | 57300HN9102          | 57300HN9102    | 57300HN9102    | 57300HN9102          | 57300HN9102    | 57300HN9102    | 57300HN9102    | LEVER ASSY, brake            | 1    |         | 5              |
| 5        | 07110-08208          | 07110-08208    | 07110-08208    | 07110-08208          | 07110-08208    | 07110-08208    | 07110-08208    | BOLT, handle balancer        | 2    |         | 10             |
| 6        | 37400HR9700          | 37400HR9700    | 37400HR9700    | 37400HR9700          | 37400HR9700    | 37400HR9700    | 37400HR9700    | SWITCH ASSY, handle L        | 1    |         | 5              |
| 7        | 57211HG5800          | 57211HG5800    | 57211HG5800    | 57211HG5800          | 57211HG5800    | 57211HG5800    | 57211HG5800    | GRIP, L                      | 1    |         | 10             |
| 8        | 09407-14403          | 09407-14403    | 09407-14403    | 09407-14403          | 09407-14403    | 09407-14403    | 09407-14403    | CLAMP, handle switch harness | 2    |         |                |
| 9        | 57460HJ8250          | 57460HJ8250    | 57460HJ8250    | 57460HJ8250          | 57460HJ8250    | 57460HJ8250    | 57460HJ8250    | SWITCH ASSY, clutch          | 1    |         | 5              |
| 10       | 57431HN9101          | 57431HN9101    | 57431HN9101    | 57431HN9101          | 57431HN9101    | 57431HN9101    | 57431HN9101    | BOLT, brake lever pivot      | 1    |         | 5              |
| 11       | 08319-21068          | 08319-21068    | 08319-21068    | 08319-21068          | 08319-21068    | 08319-21068    | 08319-21068    | NUT, brake lever pivot       | 1    |         | 5              |
| 12       | 57460-17C00          | 57460-17C00    | 57460-17C00    | 57460-17C00          | 57460-17C00    | 57460-17C00    | 57460-17C00    | SWITCH ASSY, stop            | 1    |         | 5              |
| 13       | 02112-74108          | 02112-74108    | 02112-74108    | 02112-74108          | 02112-74108    | 02112-74108    | 02112-74108    | SCREW, stop switch           | 1    |         | 10             |
| 14       | 57620HN9101          | 57620HN9101    | 57620HN9101    | 57620HN9101          | 57620HN9101    | 57620HN9101    | 57620HN9101    | LEVER COMP, clutch           | 1    |         | 5              |
| 15       | 57511HN9101          | 57511HN9101    | 57511HN9101    | 57511HN9101          | 57511HN9101    | 57511HN9101    | 57511HN9101    | HOLDER, clutch lever         | 1    |         | 5              |
| 16       | 57531HN9100          | 57531HN9100    | 57531HN9100    | 57531HN9100          | 57531HN9100    | 57531HN9100    | 57531HN9100    | BOLT SET, clutch lever pivot | 1    |         | 5              |
| 17       | 08319-21068          | 08319-21068    | 08319-21068    | 08319-21068          | 08319-21068    | 08319-21068    | 08319-21068    | NUT, clutch lever pivot      | 1    |         | 5              |
| 18       | 57451H93B00          | 57451H93B00    | 57451H93B00    | 57451H93B00          | 57451H93B00    | 57451H93B00    | 57451H93B00    | BOLT, clutch lever holder    | 1    |         | 5              |
| 19       | 57442H93B00          | 57442H93B00    | 57442H93B00    | 57442H93B00          | 57442H93B00    | 57442H93B00    | 57442H93B00    | LOCK NUT                     | 1    |         | 5              |
| 20       | 57441H93B00          | 57441H93B00    | 57441H93B00    | 57441H93B00          | 57441H93B00    | 57441H93B00    | 57441H93B00    | ADJUSTER, wire               | 1    |         | 5              |
| 21       | 57661HN9100          | 57661HN9100    | 57661HN9100    | 57661HN9100          | 57661HN9100    | 57661HN9100    | 57661HN9100    | COVER, clutch lever          | 1    |         | 5              |

FIG 46 (2008)

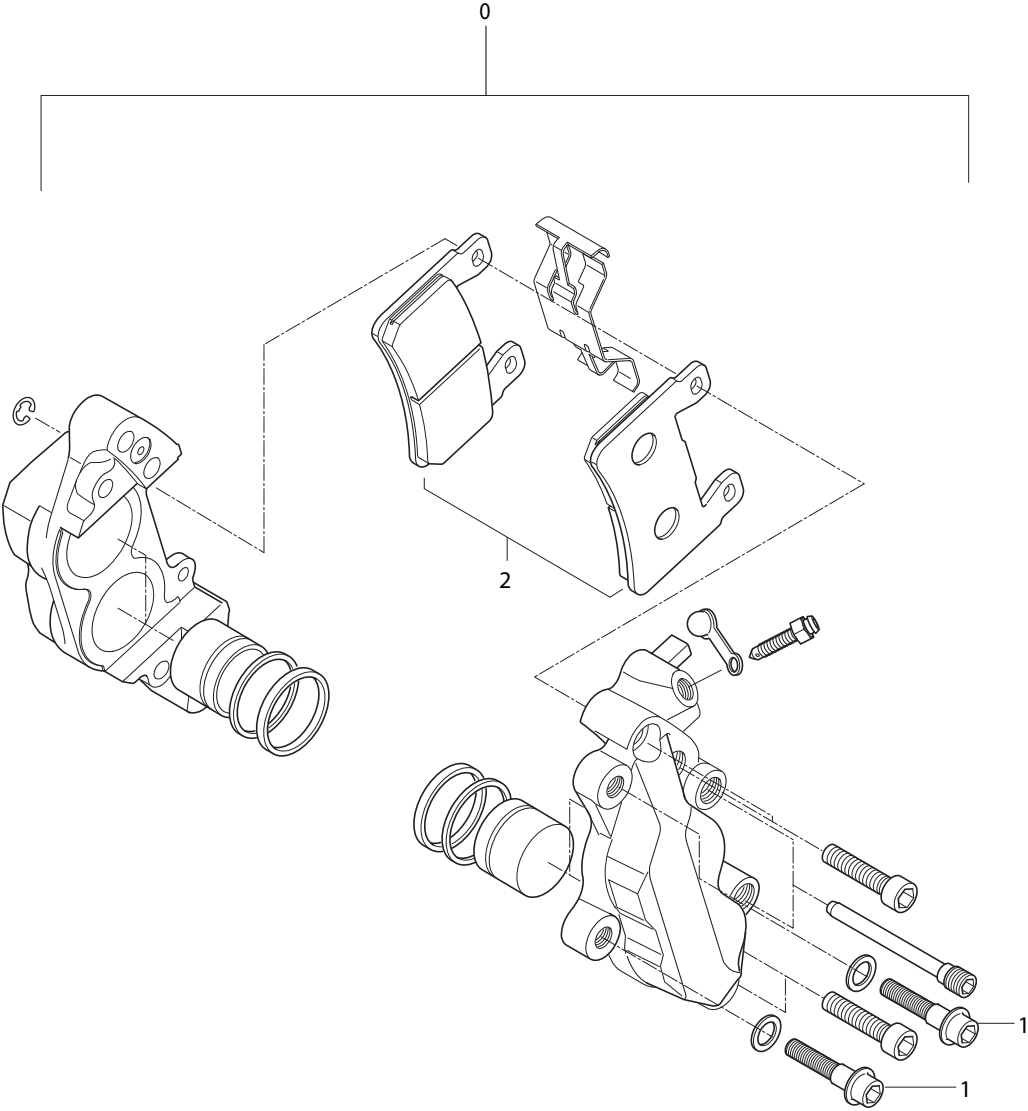


FWD

## FIG 46. CALIPER LH(2008)

| REF.<br>NO. | GT650R - FI (2008)   |             |             | GT650RN - EI (2009)  |        |       | PART NAME        | Q'TY | REMARKS | REC.Q'TY<br>(PCS) |
|-------------|----------------------|-------------|-------------|----------------------|--------|-------|------------------|------|---------|-------------------|
|             | 7EU01/7G01/7S01/7F01 | 7US02       | 8US01       | 9EU01/9G01/9S01/9F01 | BRAZIL | 9AT02 |                  |      |         |                   |
| 0           | 59300HN9100          | 59300HN9100 | 59300HN9100 |                      |        |       | CALIPER ASS'Y, L | 1    |         | 5                 |
| 1           | 09103H08254          | 09103H08254 | 09103H08254 |                      |        |       | BOLT, caliper    | 2    |         | 10                |
| 2           | 59301HP9500          | 59301HP9500 | 59301HP9500 |                      |        |       | PAD SET          | 1    |         | 40                |

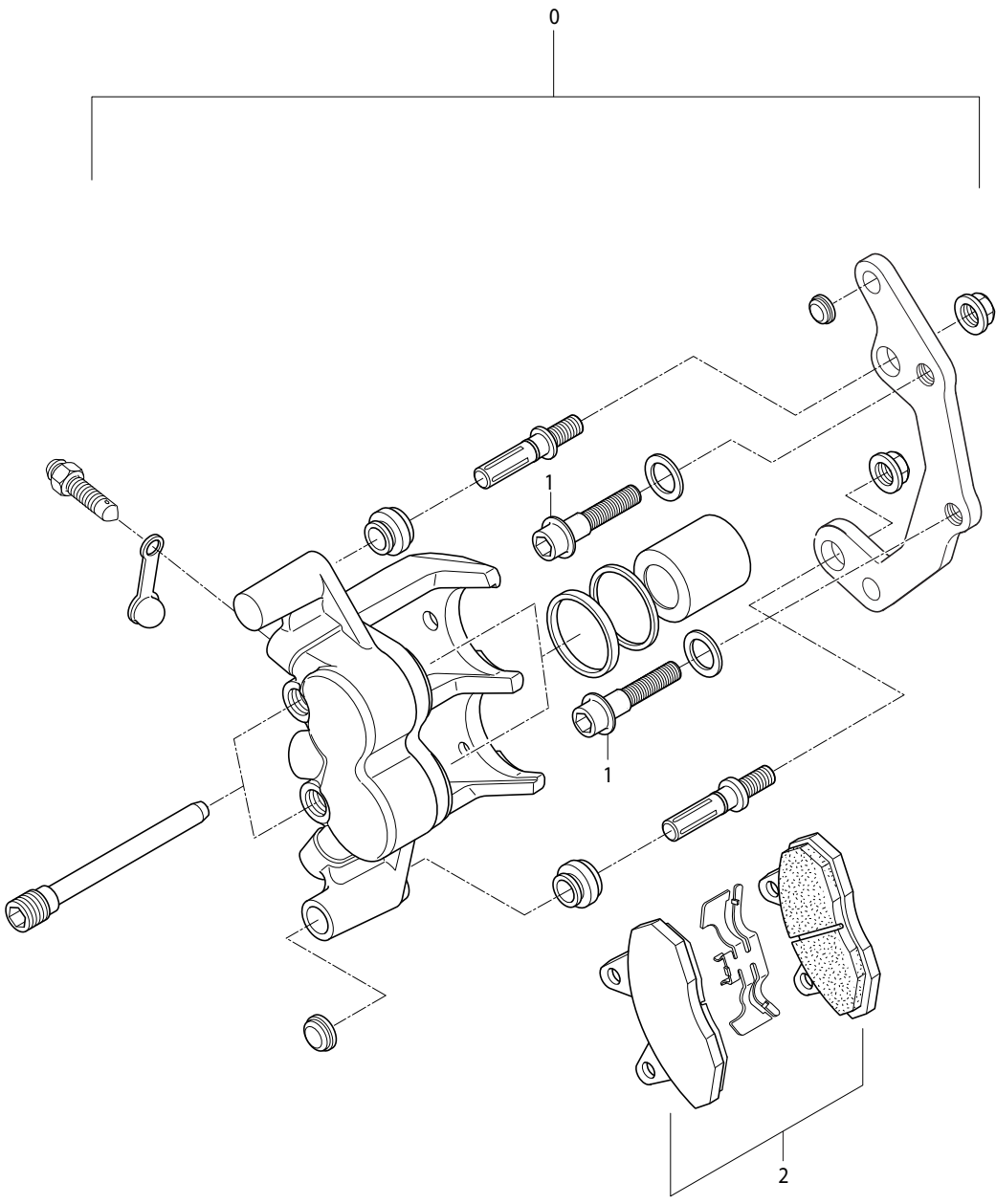
FIG 46 (2009)



## FIG 46. CALIPER LH(2009)

| REF.<br>NO. | GT650R - FI (2008)   |       |       | GT650RN - EI (2009)  |             |             |             | PART NAME        | Q'TY | REMARKS | REC.Q'TY<br>(PCS) |
|-------------|----------------------|-------|-------|----------------------|-------------|-------------|-------------|------------------|------|---------|-------------------|
|             | 7EU01/7G01/7S01/7F01 | 7US02 | 8US01 | 9EU01/9G01/9S01/9F01 | BRAZIL      | 9AT02       | 9US02       |                  |      |         |                   |
| 0           |                      |       |       | 59300H99700          | 59300H99700 | 59300H99700 | 59300H99700 | CALIPER ASS'Y, L | 1    |         | 5                 |
| 1           |                      |       |       | 07120-08358          | 07120-08358 | 07120-08358 | 07120-08358 | BOLT, caliper    | 2    |         | 10                |
| 2           |                      |       |       | 59330H99700          | 59330H99700 | 59330H99700 | 59330H99700 | PAD SET          | 1    |         | 40                |

FIG.47 (2008)

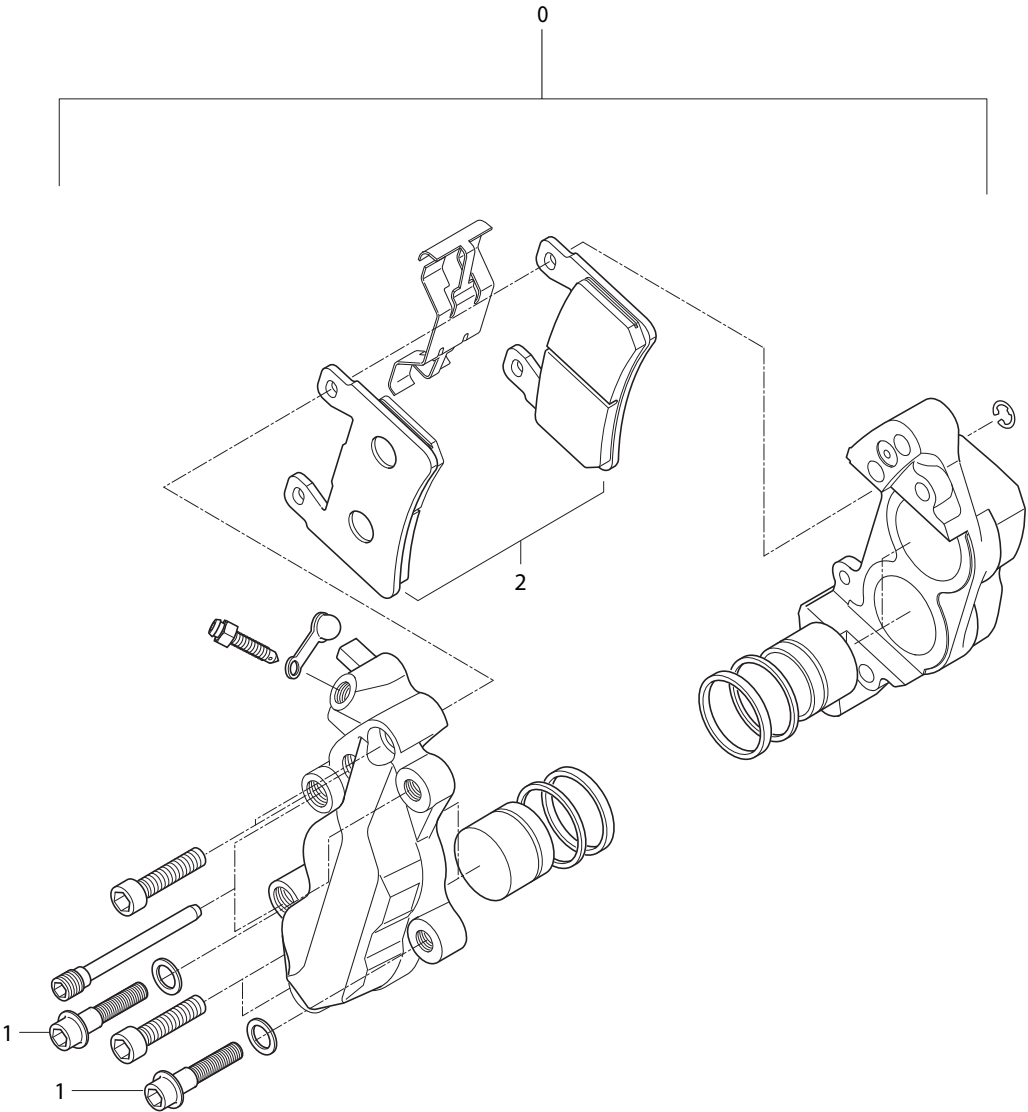




## FIG 47. CALIPER RH(2008)

| REF.<br>NO. | GT650R - FI (2008)   |             |             | GT650RN - EI (2009)  |        |       |       | PART NAME        | Q'TY | REMARKS | REC.Q'TY<br>(PCS) |
|-------------|----------------------|-------------|-------------|----------------------|--------|-------|-------|------------------|------|---------|-------------------|
|             | 7EU01/7G01/7S01/7F01 | 7US02       | 8US01       | 9EU01/9G01/9S01/9F01 | BRAZIL | 9AT02 | 9US02 |                  |      |         |                   |
| 0           | 59400HN9100          | 59400HN9100 | 59400HN9100 |                      |        |       |       | CALIPER ASS'Y, R | 1    |         | 5                 |
| 1           | 09103H08254          | 09103H08254 | 09103H08254 |                      |        |       |       | BOLT, caliper    | 2    |         | 10                |
| 2           | 59301HP9500          | 59301HP9500 | 59301HP9500 |                      |        |       |       | PAD SET          | 1    |         | 40                |

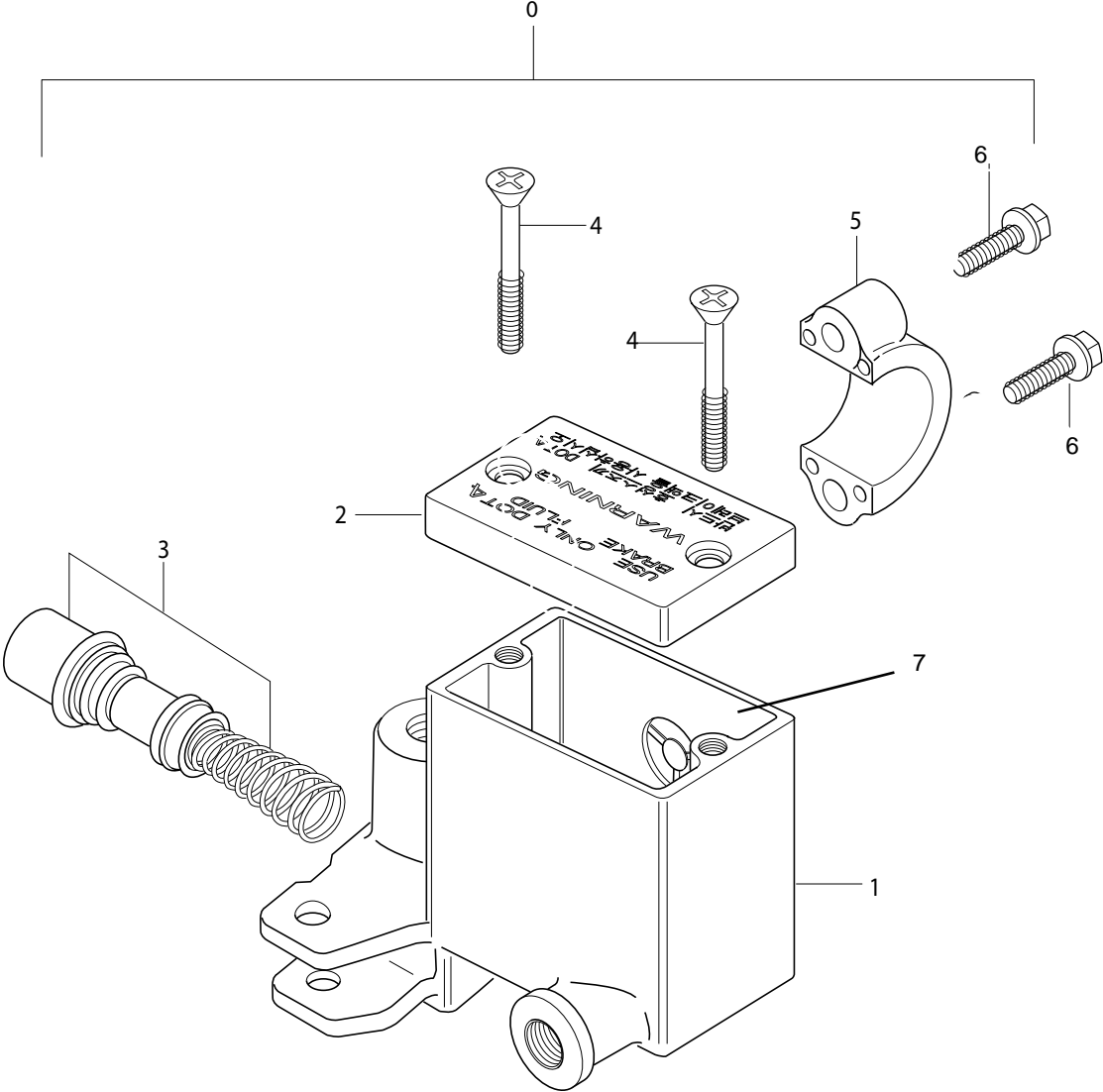
FIG.47 (2009)



## FIG 47. CALIPER RH(2009)

| REF.<br>NO. | GT650R - FI (2008)   |       |       | GT650RN - EI (2009)  |             |             |             | PART NAME        | Q'TY | REMARKS | REC.Q'TY<br>(PCS) |
|-------------|----------------------|-------|-------|----------------------|-------------|-------------|-------------|------------------|------|---------|-------------------|
|             | 7EU01/7G01/7S01/7F01 | 7US02 | 8US01 | 9EU01/9G01/9S01/9F01 | BRAZIL      | 9AT02       | 9US02       |                  |      |         |                   |
| 0           |                      |       |       | 59400H99700          | 59400H99700 | 59400H99700 | 59400H99700 | CALIPER ASS'Y, R | 1    |         | 5                 |
| 1           |                      |       |       | 07120-08358          | 07120-08358 | 07120-08358 | 07120-08358 | BOLT, caliper    | 2    |         | 10                |
| 2           |                      |       |       | 59330H99700          | 59330H99700 | 59330H99700 | 59330H99700 | PAD SET          | 1    |         | 40                |

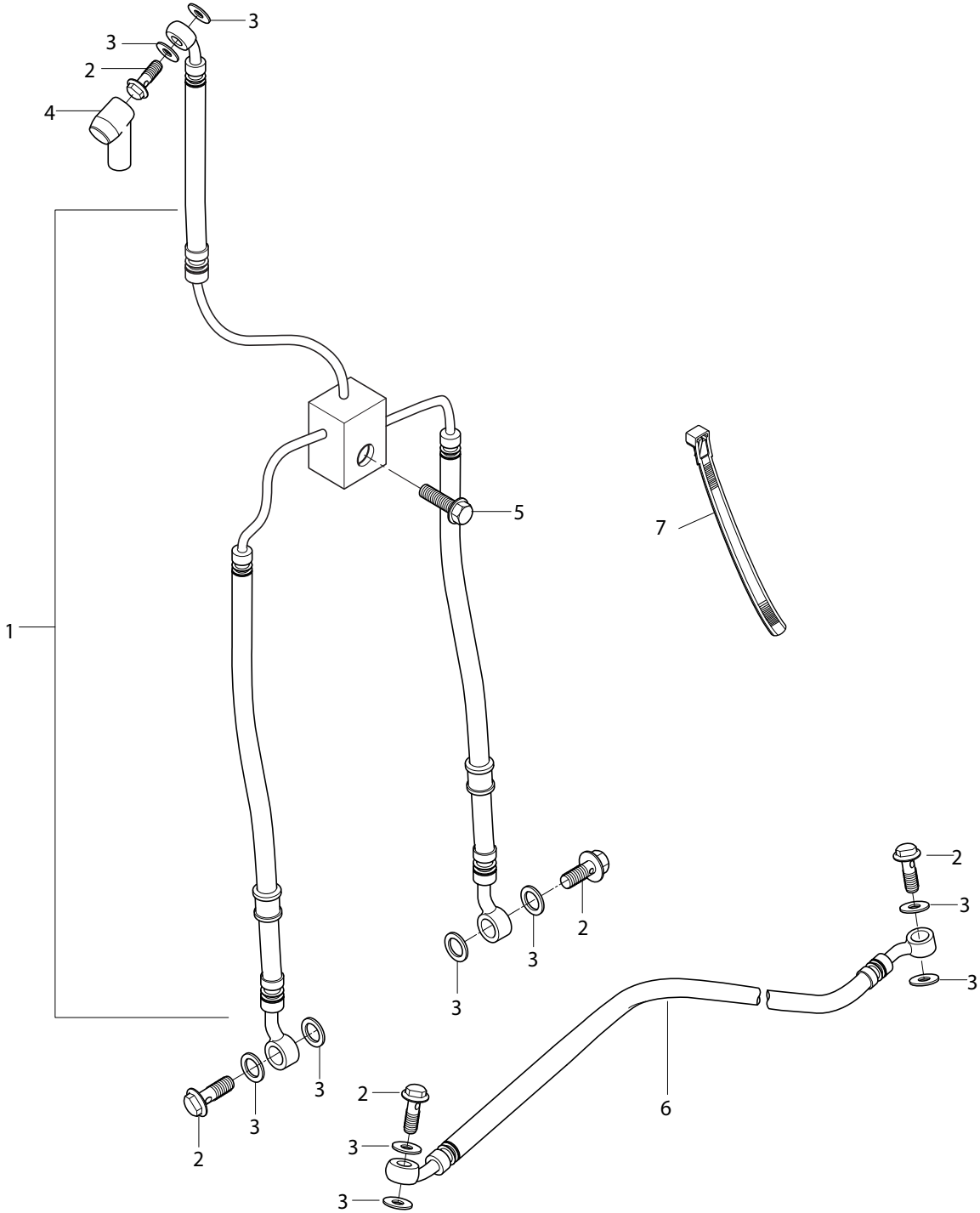
FIG.48



## FIG 48. MASTER CYLINDER

| REF.<br>NO. | GT650R - FI (2008)   |             |             | GT650RN - EI (2009)  |             |             |             | PART NAME                    | Q'TY | REMARKS  | REC.Q'TY<br>(PCS) |
|-------------|----------------------|-------------|-------------|----------------------|-------------|-------------|-------------|------------------------------|------|----------|-------------------|
|             | 7EU01/7G01/7S01/7F01 | 7US02       | 8US01       | 9EU01/9G01/9S01/9F01 | BRAZIL      | 9AT02       | 9US02       |                              |      |          |                   |
| 0           | 59600HP9201          | 59600HP9201 | 59600HP9201 | 59600HP9201          | 59600HP9201 | 59600HP9201 | 59600HP9201 | CYLINDER ASS'Y, front master | 1    |          | 5                 |
| 1           | 59687HM8162          | 59687HM8162 | 59687HM8162 | 59687HM8162          | 59687HM8162 | 59687HM8162 | 59687HM8162 | BODY                         | 1    | NOT SALE |                   |
| 2           | 59669SN9110          | 59669SN9110 | 59669SN9110 | 59669SN9110          | 59669SN9110 | 59669SN9110 | 59669SN9110 | CAP SET, master cylinder     | 1    |          | 5                 |
| 2-A         | 59669HN9100          | 59669HN9100 | 59669HN9100 | 59669HN9100          | 59669HN9100 | 59669HN9100 | 59669HN9100 | CAP, Master Cylinder         | 1    | NOT SALE |                   |
| 2-B         | 59511HP9200          | 59511HP9200 | 59511HP9200 | 59511HP9200          | 59511HP9200 | 59511HP9200 | 59511HP9200 | PLATE, reservoir cap         | 1    | NOT SALE |                   |
| 3           | 59610HN9100          | 59610HN9100 | 59610HN9100 | 59610HN9100          | 59610HN9100 | 59610HN9100 | 59610HN9100 | PISTON, SET                  | 1    | NOT SALE |                   |
| 4           | 59691-35C00          | 59691-35C00 | 59691-35C00 | 59691-35C00          | 59691-35C00 | 59691-35C00 | 59691-35C00 | SCREW                        | 2    |          |                   |
| 5           | 59671-35C00          | 59671-35C00 | 59671-35C00 | 59671-35C00          | 59671-35C00 | 59671-35C00 | 59671-35C00 | HOLDER                       | 1    |          |                   |
| 6           | 01107-35C00          | 01107-35C00 | 01107-35C00 | 01107-35C00          | 01107-35C00 | 01107-35C00 | 01107-35C00 | BOLT, holder                 | 2    |          |                   |
| 7           | 59667HP9200          | 59667HP9200 | 59667HP9200 | 59667HP9200          | 59667HP9200 | 59667HP9200 | 59667HP9200 | DIAPHRAGM                    | 1    |          | 5                 |

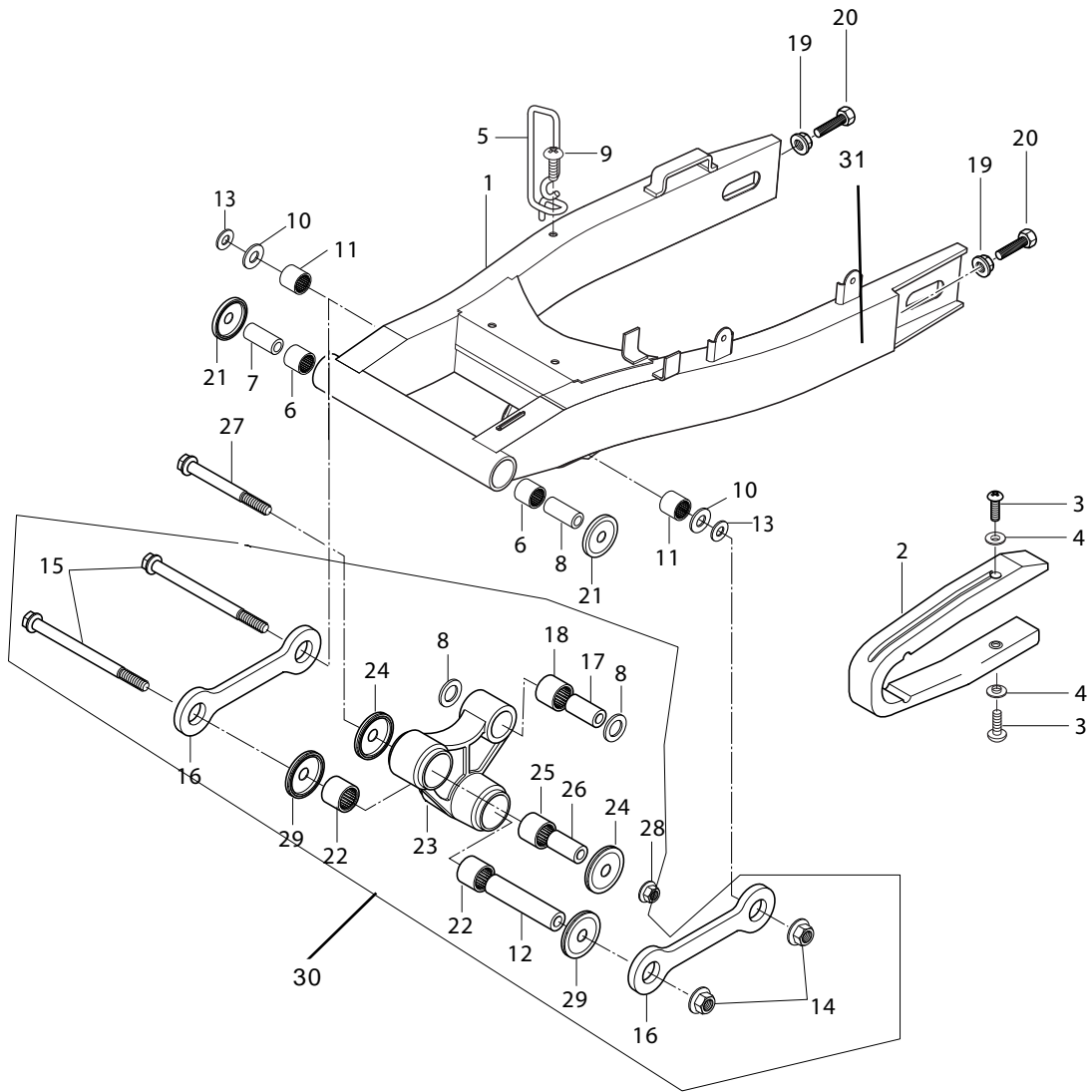
FIG.49



## FIG 49. FRONT BRAKE HOSE

| REF.<br>NO. | GT650R - FI (2008)   |             |             | GT650RN - EI (2009)  |             |             |             | PART NAME              | Q'TY | REMARKS | REC.Q'TY<br>(PCS) |
|-------------|----------------------|-------------|-------------|----------------------|-------------|-------------|-------------|------------------------|------|---------|-------------------|
|             | 7EU01/7G01/7S01/7F01 | 7US02       | 8US01       | 9EU01/9G01/9S01/9F01 | BRAZIL      | 9AT02       | 9US02       |                        |      |         |                   |
| 1           | 59480HP9400          | 59480HP9400 | 59480HP9400 | 59480HP9400          | 59480HP9400 | 59480HP9400 | 59480HP9400 | HOSE COMP, front brake | 1    |         | 5                 |
| 2           | 09360-10039          | 09360-10039 | 09360-10039 | 09360-10039          | 09360-10039 | 09360-10039 | 09360-10039 | BOLT, brake hose       | 5    |         |                   |
| 3           | 09161-10005          | 09161-10005 | 09161-10005 | 09161-10005          | 09161-10005 | 09161-10005 | 09161-10005 | WASHER, brake hose     | 10   |         |                   |
| 4           | 59711H49002          | 59711H49002 | 59711H49002 | 59711H49002          | 59711H49002 | 59711H49002 | 59711H49002 | BOOT, brake hose       | 1    |         |                   |
| 5           | 01547-06303          | 01547-06303 | 01547-06303 | 01547-06303          | 01547-06303 | 01547-06303 | 01547-06303 | BOLT, front brake hose | 1    |         | 20                |
| 6           | 69480HM8104          | 69480HM8104 | 69480HM8104 | 69480HM8104          | 69480HM8104 | 69480HM8104 | 69480HM8104 | HOSE COMP, rear brake  | 1    |         | 5                 |
| 7           | 09407-20406          | 09407-20406 | 09407-20406 | 09407-20406          | 09407-20406 | 09407-20406 | 09407-20406 | CLAMP, speed sensor    | 3    |         |                   |

FIG 50

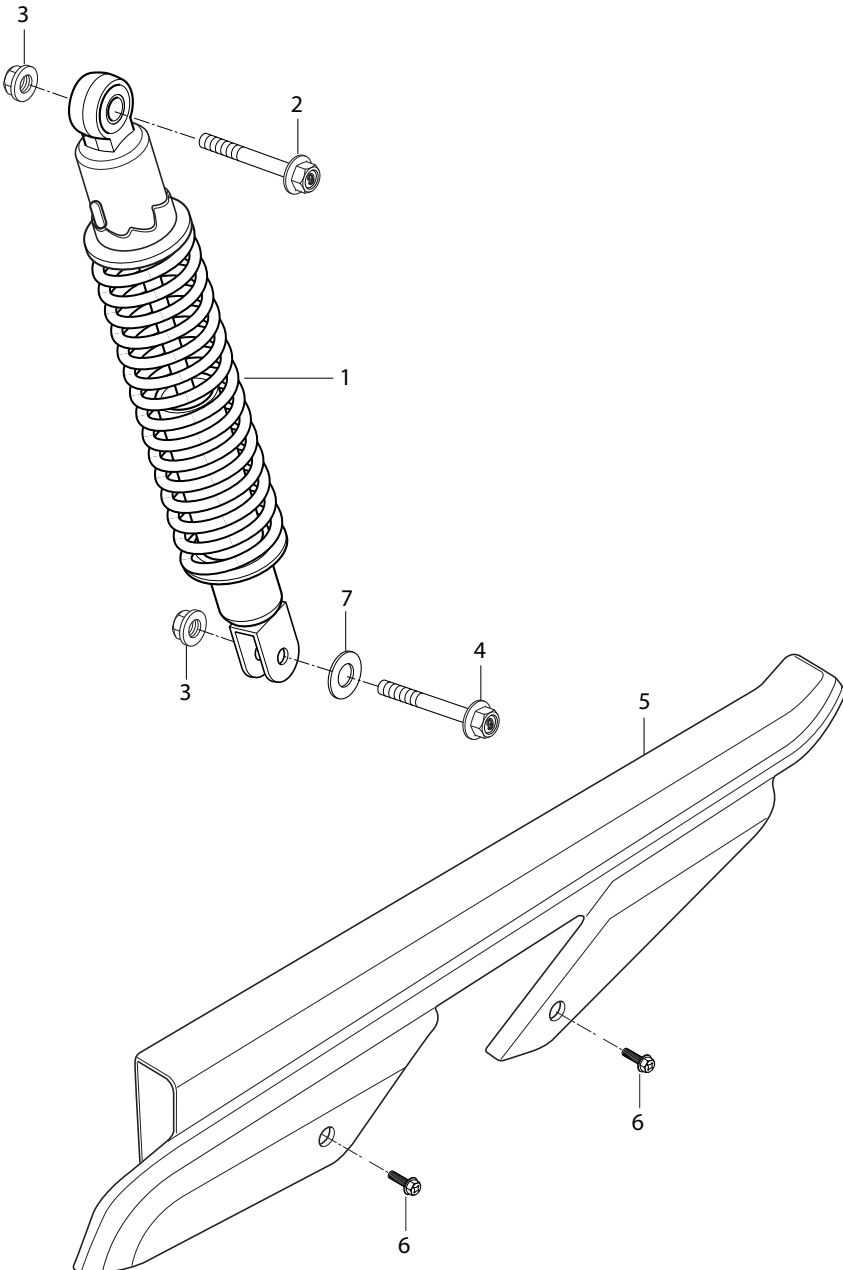




# FIG 50. SWINGING ARM

| REF.<br>NO. | GT650R - FI (2008)   |                |                | GT650RN - EI (2009)  |                |                |                | PART NAME                           | Q'TY | REMARKS | REC.Q'TY<br>(PCS) |
|-------------|----------------------|----------------|----------------|----------------------|----------------|----------------|----------------|-------------------------------------|------|---------|-------------------|
|             | 7EU01/7G01/7S01/7F01 | 7US02          | 8US01          | 9EU01/9G01/9S01/9F01 | BRAZIL         | 9AT02          | 9US02          |                                     |      |         |                   |
| 1           | 61100SN9106120       | 61100SN9106120 | 61100SN9106120 | 61100SN9106120       | 61100SN9106120 | 61100SN9106120 | 61100SN9106120 | REAR SWINGARM ASS'Y(Black)          | 1    |         | 5                 |
| 1           | 61100HN9106120       | 61100HN9106120 | 61100HN9106120 | 61100HN99700         | 61100H99700    | 61100H99700    | 61100H99700    | SWINGARM COMP, rear(Black)          | 1    |         |                   |
| 2           | 61273HN9100          | 61273HN9100    | 61273HN9100    | 61273HN9100          | 61273HN9100    | 61273HN9100    | 61273HN9100    | BUFFER, chain touch defense         | 1    |         | 5                 |
| 3           | 02142-06166          | 02142-06166    | 02142-06166    | 02142-06166          | 02142-06166    | 02142-06166    | 02142-06166    | BOLT, chain touch defense buffer    | 2    |         | 20                |
| 4           | 09169-06032          | 09169-06032    | 09169-06032    | 09169H06011          | 09169H06011    | 09169H06011    | 09169H06011    | WASHER, chain touch defense buffer  | 2    |         | 40                |
| 5           | 61510HM8100          | 61510HM8100    | 61510HM8100    | 61510HM8100          | 61510HM8100    | 61510HM8100    | 61510HM8100    | GUIDE, rear brake hose No.1         | 1    |         | 5                 |
| 6           | 09263-22017          | 09263-22017    | 09263-22017    | 09263-22017          | 09263-22017    | 09263-22017    | 09263-22017    | BEARING, rear swingarm pivot        | 2    |         | 10                |
| 7           | 61252HN9100          | 61252HN9100    | 61252HN9100    | 61252HN9100          | 61252HN9100    | 61252HN9100    | 61252HN9100    | SPACER, rear swingarm pivot R       | 1    |         | 5                 |
| 8           | 61251HM8100          | 61251HM8100    | 61251HM8100    | 61251HM8100          | 61251HM8100    | 61251HM8100    | 61251HM8100    | SPACER, rear swingarm pivot bearing | 1    |         | 5                 |
| 9           | 02142-06128          | 02142-06128    | 02142-06128    | 01517-06128          | 01517-06128    | 01517-06128    | 01517-06128    | BOLT, RR brake hose guide NO.1      | 1    |         | 5                 |
| 10          | 09283-20031          | 09283-20031    | 09283-20031    | 09283-20031          | 09283-20031    | 09283-20031    | 09283-20031    | SEAL, rear cushion rod              | 2    |         | 10                |
| 11          | 09263H20003          | 09263H20003    | 09263H20003    | 09263H20003          | 09263H20003    | 09263H20003    | 09263H20003    | BEARING, rear cushion rod           | 2    |         | 20                |
| 12          | 09180H14001          | 09180H14001    | 09180H14001    | 09180H14001          | 09180H14001    | 09180H14001    | 09180H14001    | SPACER, rear cushion rod            | 1    |         | 10                |
| 13          | 08211-14341          | 08211-14341    | 08211-14341    | 08211-14321          | 08211-14321    | 08211-14321    | 08211-14321    | WASHER, rear cushion rod            | 2    |         | 10                |
| 14          | 09159H14008          | 09159H14008    | 09159H14008    | 09159H14008          | 09159H14008    | 09159H14008    | 09159H14008    | NUT, rear cushion rod               | 2    |         | 15                |
| 15          | 09103H14001          | 09103H14001    | 09103H14001    | 09103H14001          | 09103H14001    | 09103H14001    | 09103H14001    | BOLT, rear cushion rod              | 2    |         | 10                |
| 16          | 62641HN9100          | 62641HN9100    | 62641HN9100    | 62641HN9100          | 62641HN9100    | 62641HN9100    | 62641HN9100    | ROD, rear cushion lever             | 2    |         | 10                |
| 17          | 09180H10073          | 09180H10073    | 09180H10073    | 09180H10073          | 09180H10073    | 09180H10073    | 09180H10073    | SPACER, rear cushion lever rear     | 1    |         | 5                 |
| 18          | 09263H17002          | 09263H17002    | 09263H17002    | 09263H17002          | 09263H17002    | 09263H17002    | 09263H17002    | BEARING, rear cushion lever rear    | 1    |         | 5                 |
| 19          | 08316-16088          | 08316-16088    | 08316-16088    | 08316-16088          | 08316-16088    | 08316-16088    | 08316-16088    | NUT, chain adjuster                 | 2    |         | 10                |
| 20          | 09103H08608          | 09103H08608    | 09103H08608    | 09103H08608          | 09103H08608    | 09103H08608    | 09103H08608    | BOLT, chain adjuster                | 2    |         | 10                |
| 21          | 61262-45002          | 61262-45002    | 61262-45002    | 61262-45002          | 61262-45002    | 61262-45002    | 61262-45002    | COVER, rear swingarm pivot          | 2    |         | 10                |
| 22          | 09263H20003          | 09263H20003    | 09263H20003    | 09263H20003          | 09263H20003    | 09263H20003    | 09263H20003    | BEARING, rear cushion lever center  | 2    |         | 20                |
| 23          | 62611HG5800          | 62611HG5800    | 62611HG5800    | 62611HG5800          | 62611HG5800    | 62611HG5800    | 62611HG5800    | LEVER, rear cushion                 | 1    |         | 5                 |
| 24          | 09284H33003          | 09284H33003    | 09284H33003    | 09284H33003          | 09284H33003    | 09284H33003    | 09284H33003    | DUST SEAL, rear cushion lever front | 2    |         | 10                |
| 25          | 09263-20073          | 09263-20073    | 09263-20073    | 09263-20073          | 09263-20073    | 09263-20073    | 09263-20073    | BEARING, rear cushion lever front   | 1    |         | 5                 |
| 26          | 09180H12001          | 09180H12001    | 09180H12001    | 09180H12001          | 09180H12001    | 09180H12001    | 09180H12001    | SPACER, rear cushion lever front    | 2    |         | 5                 |
| 27          | 09103H12046          | 09103H12046    | 09103H12046    | 09103H12046          | 09103H12046    | 09103H12046    | 09103H12046    | BOLT, rear cushion lever front      | 1    |         | 5                 |
| 28          | 08319-31128          | 08319-31128    | 08319-31128    | 08319-31128          | 08319-31128    | 08319-31128    | 08319-31128    | NUT, rear cushion lever front       | 1    |         | 10                |
| 29          | 09284H32001          | 09284H32001    | 09284H32001    | 09284H32001          | 09284H32001    | 09284H32001    | 09284H32001    | SEAL, rear cushion lever center     | 2    |         | 20                |
| 30          | 62611HN9100HPA       | 62611HN9100HPA | 62611HN9100HPA | 62611HN9100HPA       | 62611HN9100HPA | 62611HN9100HPA | 62611HN9100HPA | LEVER, REAR cushion ASS'Y           | 1    |         | 5                 |
| 31          | 68320HN9150PL        | 68320HN9150PL  | 68320HN9150PL  | 68320HN9150PL        | 68320HN9150PL  | 68320HN9150PL  | 68320HN9150PL  | LABEL, chain case (7EU01)           | 1    |         | 5                 |
| 31          | 68320HN9160PL        | 68320HN9160PL  | 68320HN9160PL  | 68320HN9160PL        | 68320HN9160PL  | 68320HN9160PL  | 68320HN9160PL  | LABEL, chain case (7G01)            | 1    |         | 5                 |
| 31          | 68320HN9180PL        | 68320HN9180PL  | 68320HN9180PL  | 68320HN9180PL        | 68320HN9180PL  | 68320HN9180PL  | 68320HN9180PL  | LABEL, chain case (7S01)            | 1    |         | 5                 |
| 31          | 68320HN9190PL        | 68320HN9190PL  | 68320HN9190PL  | 68320HN9190PL        | 68320HN9190PL  | 68320HN9190PL  | 68320HN9190PL  | LABEL, chain case (7F01)            | 1    |         | 5                 |

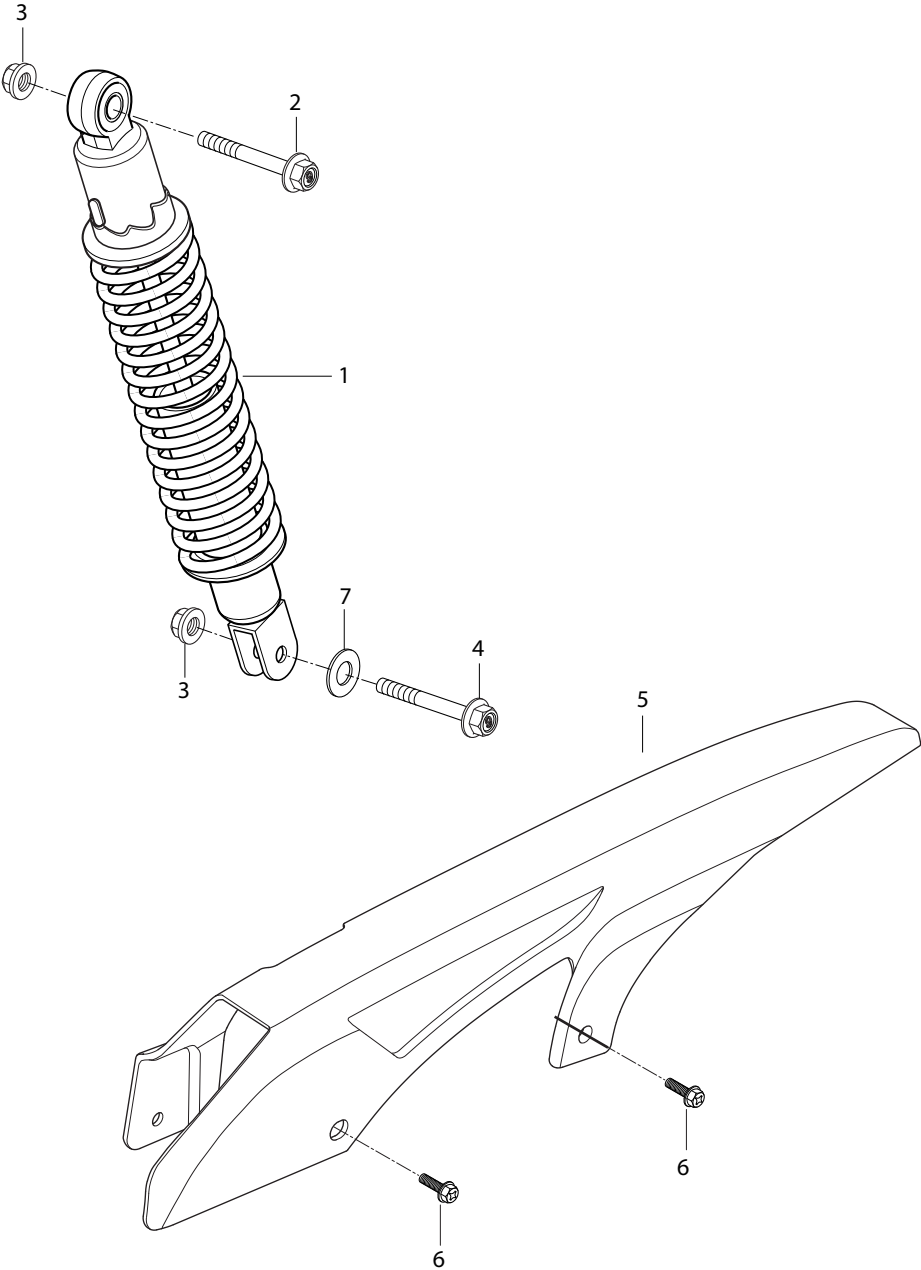
FIG 51 (2008)



## FIG 51. REAR SHOCK ABSORBER (2008)

| REF. NO. | GT650R - FI (2008)   |             |             | GT650RN - EI (2009)  |        |       |       | PART NAME                         | QTY | REMARKS | REC.QTY (PCS) |
|----------|----------------------|-------------|-------------|----------------------|--------|-------|-------|-----------------------------------|-----|---------|---------------|
|          | 7EU01/7G01/7S01/7F01 | 7US02       | 8US01       | 9EU01/9G01/9S01/9F01 | BRAZIL | 9AT02 | 9US02 |                                   |     |         |               |
| 1        | 62100HP9201          | 62100HP9201 | 62100HP9201 |                      |        |       |       | SHOCK ABSORBER ASS'Y rear         | 1   |         | 5             |
| 2        | 09103H10101          | 09103H10101 | 09103H10101 |                      |        |       |       | BOLT, rear shock absorber upper   | 2   |         | 10            |
| 3        | 08319-31108          | 08319-31108 | 08319-31108 |                      |        |       |       | NUT, rear shock absorber upper    | 1   |         | 20            |
| 4        | 09103H10101          | 09103H10101 | 09103H10101 |                      |        |       |       | BOLT, rear shock absorber lower   | 1   |         | 10            |
| 5        | 61310HM8102          | 61310HM8102 | 61310HM8102 |                      |        |       |       | CASE COMP, chain                  | 1   |         | 5             |
| 6        | 09111H06066          | 09111H06066 | 09111H06066 |                      |        |       |       | BOLT, chain case                  | 2   |         | 20            |
| 7        | 09160-10001          | 09160-10001 | 09160-10001 |                      |        |       |       | WASHER, rear shock absorber lower | 1   |         | 5             |

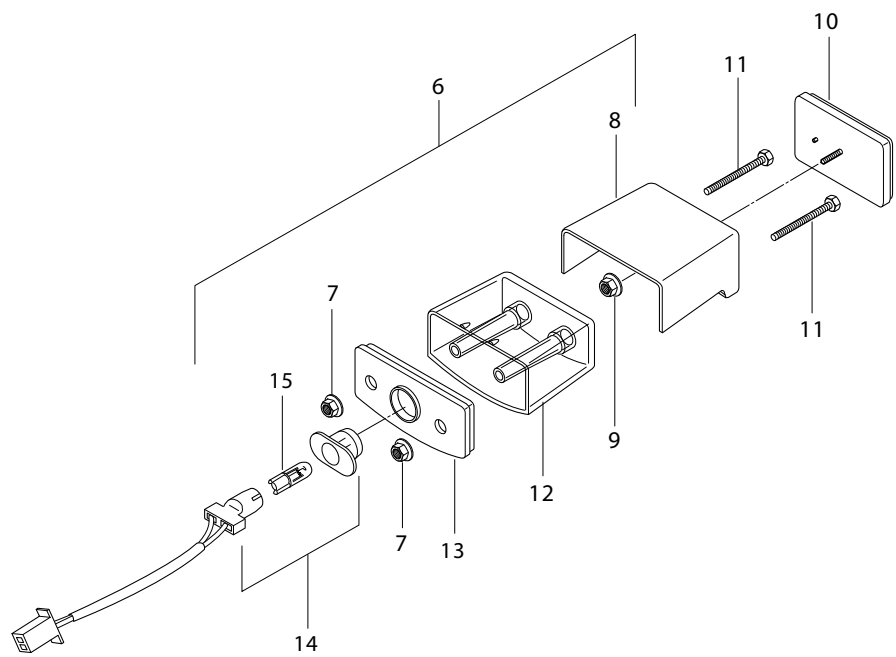
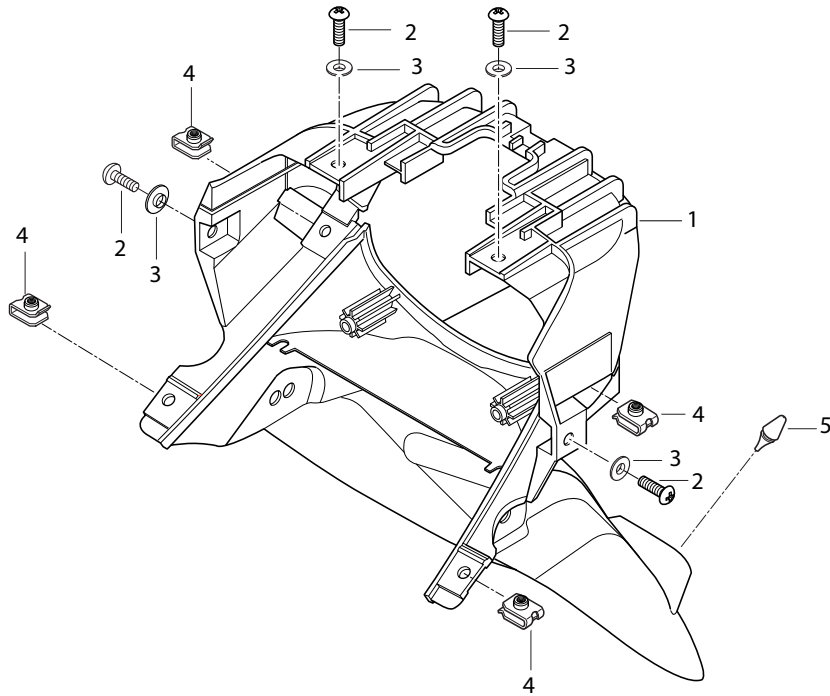
FIG 51 (2009)



## FIG 51. REAR SHOCK ABSORBER (2009)

| REF.<br>NO. | GT650R - FI (2008)   |       |       | GT650RN - EI (2009)  |             |             |             | PART NAME                         | Q'TY | REMARKS | REC.Q'TY<br>(PCS) |
|-------------|----------------------|-------|-------|----------------------|-------------|-------------|-------------|-----------------------------------|------|---------|-------------------|
|             | 7EU01/7G01/7S01/7F01 | 7US02 | 8US01 | 9EU01/9G01/9S01/9F01 | BRAZIL      | 9AT02       | 9US02       |                                   |      |         |                   |
| 1           |                      |       |       | 62100HN9151          | 62100HN9151 | 62100HN9151 | 62100HN9151 | SHOCK ABSORBER ASS'Y rear         | 1    |         | 5                 |
| 2           |                      |       |       | 09103H10101          | 09103H10101 | 09103H10101 | 09103H10101 | BOLT, rear shock absorber upper   | 1    |         | 10                |
| 3           |                      |       |       | 08319-31108          | 08319-31108 | 08319-31108 | 08319-31108 | NUT, rear shock absorber upper    | 2    |         | 20                |
| 4           |                      |       |       | 09103H10101          | 09103H10101 | 09103H10101 | 09103H10101 | BOLT, rear shock absorber lower   | 1    |         | 10                |
| 5           |                      |       |       | 61310H99700          | 61310H99700 | 61310H99700 | 61310H99700 | CASE COMP, chain                  | 1    |         | 5                 |
| 6           |                      |       |       | 09111H06066          | 09111H06066 | 09111H06066 | 09111H06066 | BOLT, chain case                  | 2    |         | 20                |
| 7           |                      |       |       | 09160-10001          | 09160-10001 | 09160-10001 | 09160-10001 | WASHER, rear shock absorber lower | 1    |         | 5                 |

FIG 52 (2008)

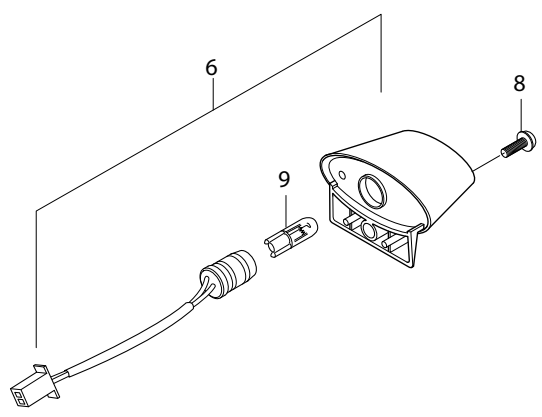
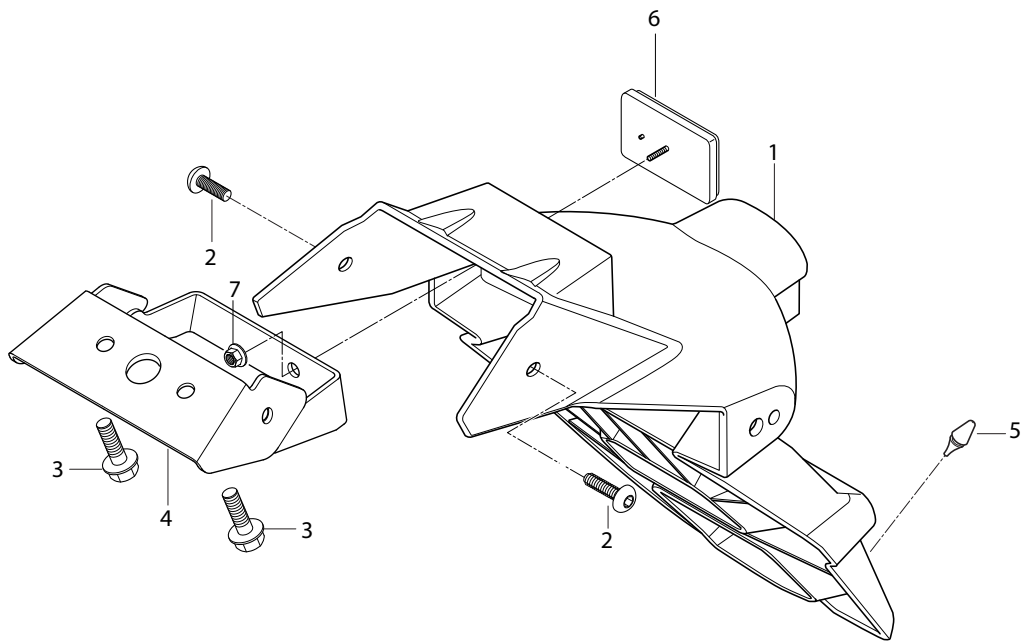


FWD

## FIG 52. REAR FENDER(2008)

| REF.<br>NO. | GT650R - FI (2008)   |                |                | GT650RN - EI (2009)  |        |       |       | PART NAME                    | Q'TY | REMARKS | REC.Q'TY<br>(PCS) |
|-------------|----------------------|----------------|----------------|----------------------|--------|-------|-------|------------------------------|------|---------|-------------------|
|             | 7EU01/7G01/7S01/7F01 | 7US02          | 8US01          | 9EU01/9G01/9S01/9F01 | BRAZIL | 9AT02 | 9US02 |                              |      |         |                   |
| 1           | 63111HM810112A       | 63111HM810112A | 63111HM810112A |                      |        |       |       | FENDER, rear                 | 1    |         | 5                 |
| 2           | 01517-06206          | 01517-06206    | 01517-06206    |                      |        |       |       | BOLT, rr fender              | 4    |         | 10                |
| 3           | 09169-06032          | 09169-06032    | 09169-06032    |                      |        |       |       | WASHER, rr fender            | 4    |         | 10                |
| 4           | 09148-05039          | 09148-05039    | 09148-05039    |                      |        |       |       | NUT, rr fender               | 4    |         | 10                |
| 5           | 09321-06023          | 09321-06023    | 09321-06023    |                      |        |       |       | CUSHION, license plate       | 1    |         | 5                 |
| 6           | 35910HG5150          | 35910HG5150    | 35910HG5150    |                      |        |       |       | LAMP ASS'Y, license plate    | 1    |         | 5                 |
| 7           | 08316-26055          | 08316-26055    | 08316-26055    |                      |        |       |       | NUT, license lamp(M5)        | 2    |         | 15                |
| 8           | 35915HL7300          | 35915HL7300    | 35915HL7300    |                      |        |       |       | COVER, license lamp          | 2    |         |                   |
| 9           | 08316-26055          | 08316-26055    | 08316-26055    |                      |        |       |       | NUT, license lamp            | 2    |         | 15                |
| 10          | 35970-17303          | 35970-17303    | 35970-17303    |                      |        |       |       | REFLEX REFLECTOR ASS'Y, rear | 1    |         | 5                 |
| 11          | 01107-05605          | 01107-05605    | 01107-05605    |                      |        |       |       | SCREW, license lamp          | 2    |         | 10                |
| 12          | 35911HG5800          | 35911HG5800    | 35911HG5800    |                      |        |       |       | LENS, license                | 1    |         |                   |
| 13          | 35912HG5800          | 35912HG5800    | 35912HG5800    |                      |        |       |       | HOUSING, license             | 1    |         |                   |
| 14          | 35916HG5800          | 35916HG5800    | 35916HG5800    |                      |        |       |       | CORD ASS'Y                   | 1    |         |                   |
| 15          | 09471-12210          | 09471-12210    | 09471-12210    |                      |        |       |       | BULB, license lamp(12V/5W)   | 1    |         | 10                |

FIG 52 (2009)





## FIG 52. REAR FENDER(2009)

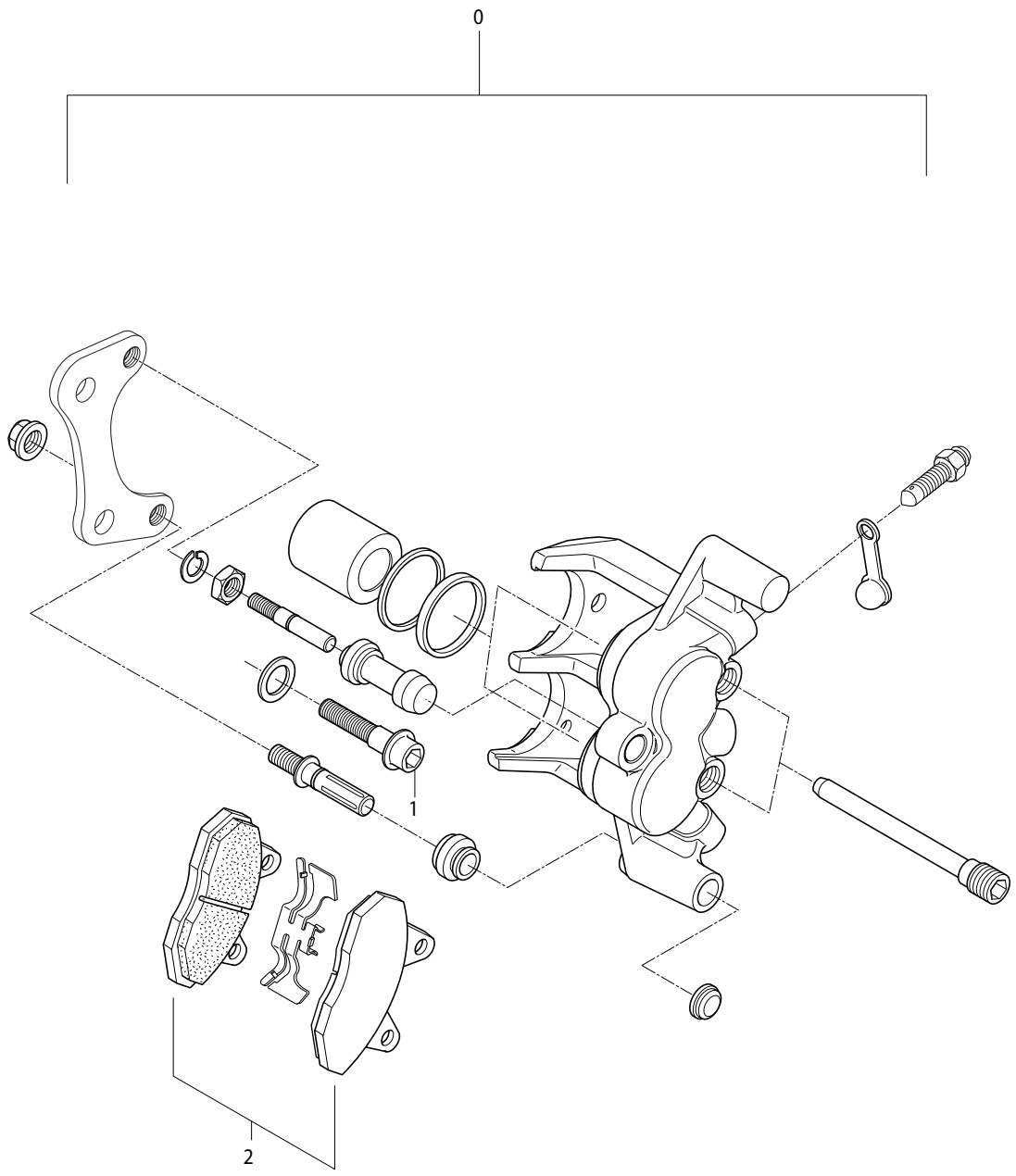
| REF.<br>NO. | GT650R - FI (2008)   |       |       | GT650RN - EI (2009)  |             |             |             | PART NAME                      | Q'TY | REMARKS | REC.Q'TY<br>(PCS) |
|-------------|----------------------|-------|-------|----------------------|-------------|-------------|-------------|--------------------------------|------|---------|-------------------|
|             | 7EU01/7G01/7S01/7F01 | 7US02 | 8US01 | 9EU01/9G01/9S01/9F01 | BRAZIL      | 9AT02       | 9US02       |                                |      |         |                   |
| 1           |                      |       |       | 63111H99700          | 63111H99700 | 63111H99700 | 63111H99700 | FENDER, rear                   | 1    |         | 5                 |
| 2           |                      |       |       | 09106H08150          | 09106H08150 | 09106H08150 | 09106H08150 | BOLT, rear fender brkt         | 2    |         | 10                |
| 3           |                      |       |       | 01517-08168          | 01517-08168 | 01517-08168 | 01517-08168 | BOLT, rear fender brkt & frame | 2    |         | 10                |
| 4           |                      |       |       | 63120H99701          | 63120H99701 | 63120H99701 | 63120H99701 | BRKT COMP, rear fender         | 1    |         | 10                |
| 5           |                      |       |       | 09321-06023          | 09321-06023 | 09321-06023 | 09321-06023 | CUSHION, license plate         | 1    |         | 5                 |
| 6           |                      |       |       | 35910HP7600          | 35910HP7600 | 35910HP7600 | 35910HP7600 | LAMP ASSY, license plate       | 1    |         | 5                 |
| 7           |                      |       |       | 08310-11055          | 08310-11055 | 08310-11055 | 08310-11055 | NUT, license lamp(M5)          | 1    |         | 15                |
| 8           |                      |       |       | 02112-05205          | 02112-05205 | 02112-05205 | 02112-05205 | SCREW, license lamp            | 1    |         |                   |
| 9           |                      |       |       | 09471-12110          | 09471-12110 | 09471-12110 | 09471-12110 | BULB, license lamp(12V W5)     | 1    |         | 15                |



# FIG 53. REAR WHEEL

| REF.<br>NO. | GT650R - FI (2008)   |                |                | GT650RN - EI (2009)  |                |                |                | PART NAME                                 | Q'TY | REMARKS  | REC.Q'TY<br>(PCS) |
|-------------|----------------------|----------------|----------------|----------------------|----------------|----------------|----------------|---|------|----------|-------------------|
|             | 7EU01/7G01/7S01/7F01 | 7US02          | 8US01          | 9EU01/9G01/9S01/9F01 | BRAZIL         | 9AT02          | 9US02          |   |      |          |                   |
| 1           | 64150SN9100120       | 64150SN9100120 | 64150SN9100120 | 64150SN9100120       | 64150SN9100120 | 64150SN9100120 | 64150SN9100120 | WHEEL COMP, rear (J17xMT4.50)(Black)+tire | 1    |          | 5                 |
| 1-1         | 64150HN9100120       | 64150HN9100120 | 64150HN9100120 | 64150HN9100120       | 64150HN9100120 | 64150HN9100120 | 64150HN9100120 | WHEEL + BEARING                           | 1    |          | 5                 |
| 2           | 65100HN9101          | 65100HN9101    | 65100HN9101    | 65100HN9101          | 65100HN9101    | 65100HN9101    | 65100HN9101    | TIRE COMP, rear (160/60-17 69W)           | 1    |          | 5                 |
| 3           | 55220-29C20          | 55220-29C20    | 55220-29C20    | 55220-29C20          | 55220-29C20    | 55220-29C20    | 55220-29C20    | VALVE ASS'Y, wheel rim                    | 1    |          | 10                |
| 4           | 64711HN9101          | 64711HN9101    | 64711HN9101    | 64711HN9101          | 64711HN9101    | 64711HN9101    | 64711HN9101    | AXLE, rear                                | 1    |          | 5                 |
| 5           | 09159H16002          | 09159H16002    | 09159H16002    | 09159H16002          | 09159H16002    | 09159H16002    | 09159H16002    | NUT, rear axle                            | 1    |          | 5                 |
| 6           | 64741HM8100          | 64741HM8100    | 64741HM8100    | 64741HM8100          | 64741HM8100    | 64741HM8100    | 64741HM8100    | SPACER, rear axle R                       | 1    |          | 5                 |
| 7           | 64751HM8100          | 64751HM8100    | 64751HM8100    | 64751HM8100          | 64751HM8100    | 64751HM8100    | 64751HM8100    | SPACER, rear axle L                       | 1    |          | 5                 |
| 8           | 64611HN9150120       | 64611HN9150120 | 64611HN9150120 | 64611HN9150120       | 64611HN9150120 | 64611HN9150120 | 64611HN9150120 | DRUM, rear sprocket mounting              | 1    |          | 5                 |
| 9           | 64511HN9101          | 64511HN9101    | 64511HN9101    | 64511HN9101          | 64511HN9101    | 64511HN9101    | 64511HN9101    | SPROCKET, rear(44T)                       | 1    |          | 5                 |
| 10          | 64733HM8100          | 64733HM8100    | 64733HM8100    | 64733HM8100          | 64733HM8100    | 64733HM8100    | 64733HM8100    | RETAINER, rear sprocket drum              | 1    |          | 5                 |
| 11          | 01517-08358          | 01517-08358    | 01517-08358    | 01517-08358          | 01517-08358    | 01517-08358    | 01517-08358    | BOLT, rear sprocket                       | 6    |          |                   |
| 12          | 08319-31088          | 08319-31088    | 08319-31088    | 08319-31088          | 08319-31088    | 08319-31088    | 08319-31088    | NUT, rear sprocket                        | 6    |          | 30                |
| 13          | 09285-28001          | 09285-28001    | 09285-28001    | 09285-28001          | 09285-28001    | 09285-28001    | 09285-28001    | OIL SEAL, rear sprocket mounting drum     | 1    |          | 5                 |
| 14          | 08133-62047          | 08133-62047    | 08133-62047    | 08133-62047          | 08133-62047    | 08133-62047    | 08133-62047    | BEARING, rear sprocket mounting drum      | 1    |          | 5                 |
| 15          | 64162HN9100          | 64162HN9100    | 64162HN9100    | 64162HN9100          | 64162HN9100    | 64162HN9100    | 64162HN9100    | WASHER, rear sprocket                     | 3    | NOT SALE | 10                |
| 16          | 64651HM8101          | 64651HM8101    | 64651HM8101    | 64651HM8101          | 64651HM8101    | 64651HM8101    | 64651HM8101    | SHOCKABSORBER, rear wheel                 | 6    |          | 30                |
| 17          | 64731HM8100          | 64731HM8100    | 64731HM8100    | 64731HM8100          | 64731HM8100    | 64731HM8100    | 64731HM8100    | SPACER, rear wheel bearing                | 1    |          | 5                 |
| 18          | 08133-62037          | 08133-62037    | 08133-62037    | 08133-62037          | 08133-62037    | 08133-62037    | 08133-62037    | BEARING, rear wheel L                     | 1    |          | 10                |
| 19          | 08133-62037          | 08133-62037    | 08133-62037    | 08133-62037          | 08133-62037    | 08133-62037    | 08133-62037    | BEARING, rear wheel R                     | 1    |          | 10                |
| 20          | 09283-27010          | 09283-27010    | 09283-27010    | 09283-27010          | 09283-27010    | 09283-27010    | 09283-27010    | O-RING, rear hub R                        | 1    |          | 5                 |
| 21          | 69211HM8102          | 69211HM8102    | 69211HM8102    | 69211HM8102          | 69211HM8102    | 69211HM8102    | 69211HM8102    | DISK, rear brake                          | 1    |          | 5                 |
| 22          | 59421-03A01          | 59421-03A01    | 59421-03A01    | 59421-03A01          | 59421-03A01    | 59421-03A01    | 59421-03A01    | BOLT, rear brake disk                     | 6    |          | 30                |
| 23          | 61411HN9100          | 61411HN9100    | 61411HN9100    | 61411HN9100          | 61411HN9100    | 61411HN9100    | 61411HN9100    | PLATE, chain adjuster R                   | 1    |          | 5                 |
| 24          | 61511HN9100          | 61511HN9100    | 61511HN9100    | 61511HN9100          | 61511HN9100    | 61511HN9100    | 61511HN9100    | PLATE, chain adjuster L                   | 1    |          | 5                 |
| 25          | 69340HM8170120       | 69340HM8170120 | 69340HM8170120 | 69340HM8170120       | 69340HM8170120 | 69340HM8170120 | 69340HM8170120 | CARRIER, caliper                          | 1    |          | 5                 |
| 26          | 61610HM8101          | 61610HM8101    | 61610HM8101    | 61610HM8101          | 61610HM8101    | 61610HM8101    | 61610HM8101    | GUIDE, rr brake hose NO. 2                | 1    |          | 5                 |
| 27          | 09280-55001          | 09280-55001    | 09280-55001    | 09280-55001          | 09280-55001    | 09280-55001    | 09280-55001    | O-RING, rear hub L                        | 1    |          | 5                 |
| 28          | 01517-06128          | 01517-06128    | 01517-06128    | 01517-06128          | 01517-06128    | 01517-06128    | 01517-06128    | BOLT, rr brake hose guide NO. 2           | 1    |          | 20                |

FIG 54



## FIG 54. REAR CALIPER

| REF.<br>NO. | GT650R - FI (2008)   |             |             | GT650RN - EI (2009)  |             |             |             | PART NAME        | Q'TY | REMARKS | REC.Q'TY<br>(PCS) |
|-------------|----------------------|-------------|-------------|----------------------|-------------|-------------|-------------|------------------|------|---------|-------------------|
|             | 7EU01/7G01/7S01/7F01 | 7US02       | 8US01       | 9EU01/9G01/9S01/9F01 | BRAZIL      | 9AT02       | 9US02       |                  |      |         |                   |
| 0           | 69300HN9102          | 69300HN9102 | 69300HN9102 | 69300HN9102          | 69300HN9102 | 69300HN9102 | 69300HN9102 | CALIPER ASS'Y, L | 1    |         | 5                 |
| 1           | 09103H08254          | 09103H08254 | 09103H08254 | 09103H08254          | 09103H08254 | 09103H08254 | 09103H08254 | BOLT, caliper    | 2    |         | 10                |
| 2           | 59300HP9500          | 59300HP9500 | 59300HP9500 | 59300HP9500          | 59300HP9500 | 59300HP9500 | 59300HP9500 | PAD SET          | 1    |         | 40                |