

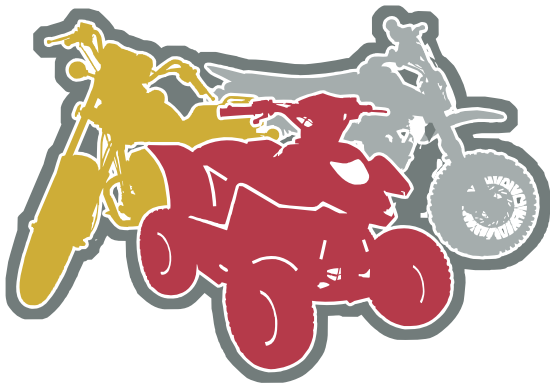
HYOSUNG



GT 250 R

Euro 3

Reservedele



ScanMI **APS**

SCANDINAVIAN MACHINERY IMPORT

Skovbyvej 99, Skovby
6470 Sydals

Telefon: +45 73 15 11 00

Fax: +45 73 15 11 01

E-mail: info@scanmi.dk

www.scanmi.dk

CVR: 27 73 31 07

HYOSUNG 2009

Part catalogue for GT250R



S & T MOTORS

HYOSUNG 2009

Part catalogue for GT250R

REFERENCE

1. The detailed specifications of each model are referred by the persons who are in charge of overseas marketing team, Hyosung.

2. Special demand

When you order any colored parts including Fuel tank, please add color code to the end of parts number and it will be helpful to register your parts order.

※COLOR 2008

-.SBK : BLACK
-.0DR : RED
-.0NR : RED/BLACK
-.0NS : SILVER/BLACK
-.0U0 : ORANGE/BLACK

※COLOR 2009

-.SBK : BLACK
-.0DR : RED
-.0NR : RED/BLACK
-.0NS : SILVER/BLACK
-.0NW : WHITE/BLACK

FIG 1-1

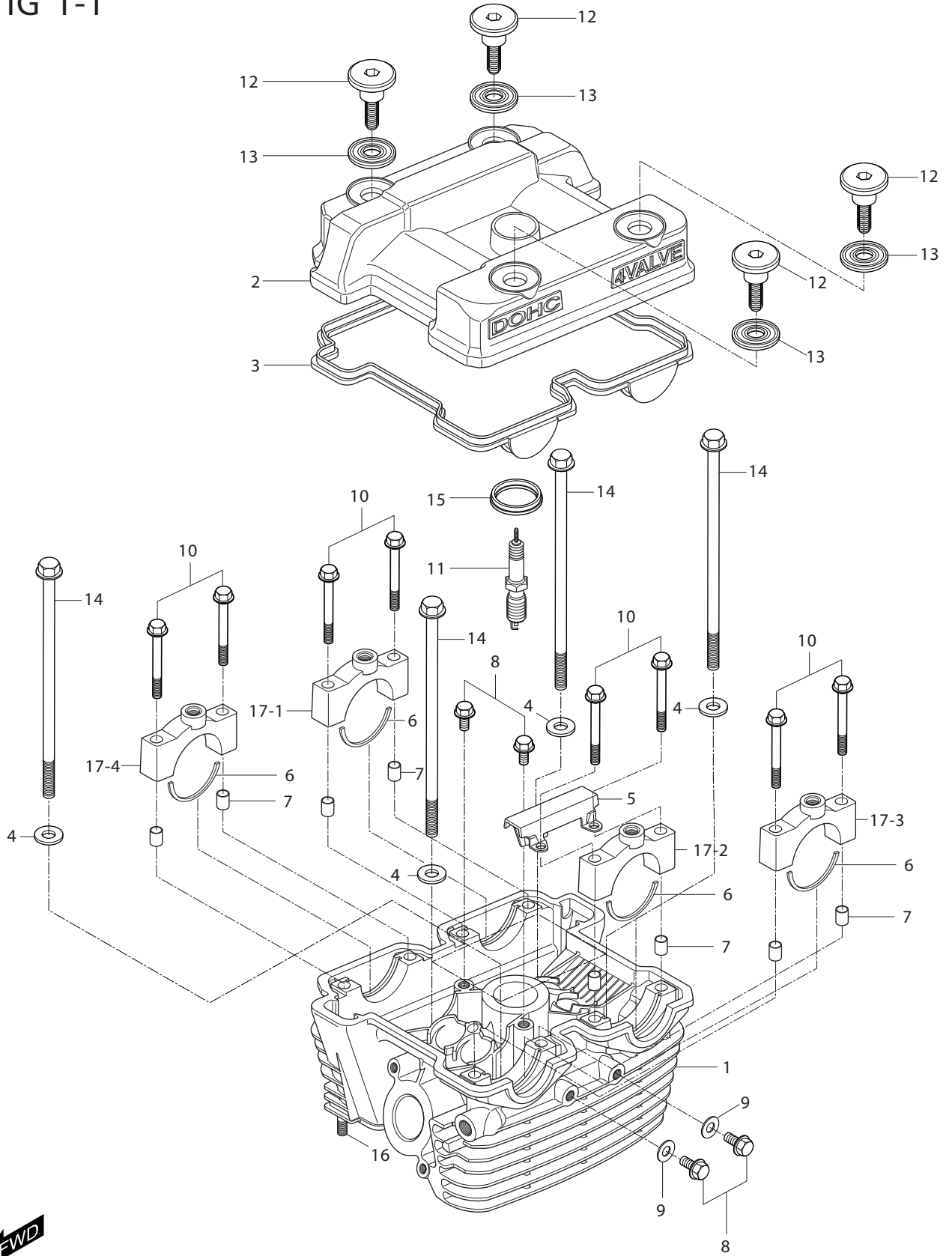


FIG 1-1. CYLINDER HEAD/ (FRONT)

REF. NO.	GT250R FI - 2008		GT250RN EI - 2009		PARTS NAME	Q'TY	REMARKS	REC.Q'TY
	7EU01/7FO01/7GO01/7SO01	9EU01/9FO01/9GO01/9SO01/9AT	9US02					100 UNIT
1	11110SR8600HPA	11110SJ8691HPA	11110SJ8691HPA	11110SJ8691HPA	HEAD ASS'Y, cylinder	1		5
2	11171HG510203S	11171HG5102121	11171HG5102121	11171HG5102121	COVER,cylinder head	1		5
3	11173HG5100	11173HG5100	11173HG5100	11173HG5100	GASKET,cylinder head cover NO.1	8		20
4	09168-08021	09168-08021	09168-08021	09168-08021	GASKET, cylinder head bolt	4		20
5	12782-35C00	12782-35C00	12782-35C00	12782-35C00	GUIDE, camchain NO.2	2		10
6	09390-35001	09390-35001	09390-35001	09390-35001	C-RING, camshaft	8		
7	09206-08001	09206-08001	09206-08001	09206-08001	PIN, camshaft housing knock	1		
8	01517-06128	01517-06128	01517-06128	01517-06128	BOLT, oil galley(M6X12)	4		
9	09168H06019	09168H06019	09168H06019	09168H06019	GASKET,oil galley bolt	4		
10	09103-06013	09103-06013	09103-06013	09103-06013	BOLT, camshaft housing(M6X20)	4		36
11	09482-00456	09482-00456	09482-00456	09482-00456	PLUG,spark CR8E	1		20
12	09109H07018	09109H07018	09109H07018	09109H07018	BOLT, cylinder head cover(M7X17.5)	3		
13	09161H11008	09161H11008	09161H11008	09161H11008	WASHER, cylinder head cover	1		24
14	09103H08306	09103H08306	09103H08306	09103H08306	BOLT, cylinder head (L=130)	1		24
15	11178-17E00	11178-17E00	11178-17E00	11178-17E00	GASKET, cylinder head cover NO.2	4		40
16	01421-06258	01421-06258	01421-06258	01421-06258	BOTL,cylinder head stud(M6x25)	1		
17	11121-35C00PCH	11121-35C00PCH	11121-35C00PCH	11121-35C00PCH	HOUSING, camshaft No.1	4	NOT SALE	
18	11122-35C00PCH	11122-35C00PCH	11122-35C00PCH	11122-35C00PCH	HOUSING, camshaft No.2	1	NOT SALE	
19	11123-35C00PCH	11123-35C00PCH	11123-35C00PCH	11123-35C00PCH	HOUSING, camshaft No.3	1	NOT SALE	
20	11124-35C00PCH	11124-35C00PCH	11124-35C00PCH	11124-35C00PCH	HOUSING, camshaft No.4	1	NOT SALE	

FIG 1-2

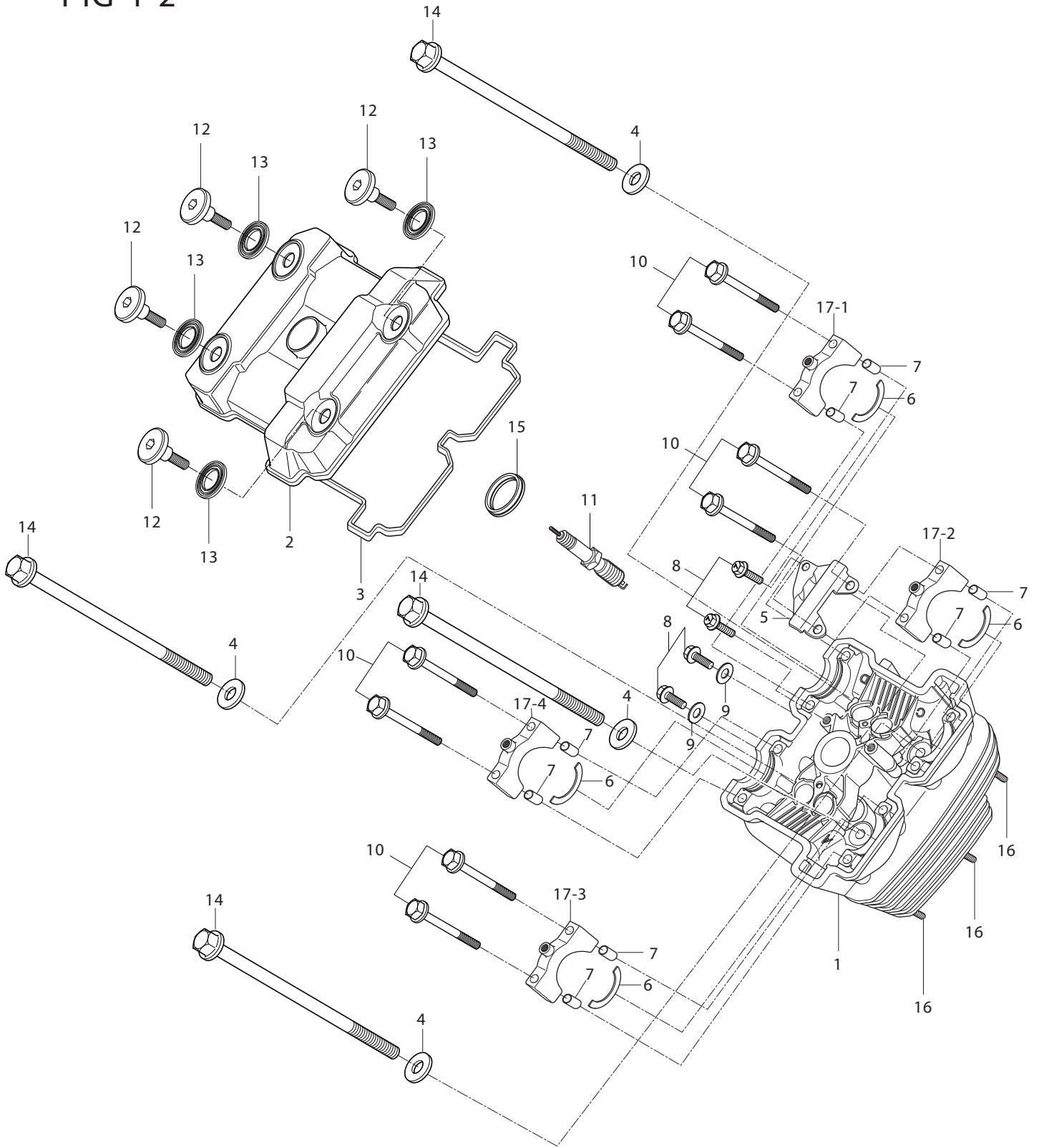


FIG 1-2. CYLINDER HEAD/ (REAR)

REF. NO.	GT250R FI - 2008		GT250RN EI - 2009		PARTS NAME	QTY	REMARKS	REC.QTY
	7EU01/7FO01/7GO01/7SO01	9EU01/9FO01/9GO01/9SO01/9AT	9US02					100 UNIT
								(PCS)
1	11110SR8600HPA	11110SJ8610HPA	11110SJ8610HPA	11110SJ8610HPA	HEAD ASS'Y, cylinder	1		5
2	11171HG510203S	11171HG510203S	11171HG510203S	11171HG510203S	COVER,cylinder head	1		5
3	11173HG5100	11173HG5100	11173HG5100	11173HG5100	GASKET,cylinder head cover NO.1	8		20
4	09168-08021	09168-08021	09168-08021	09168-08021	GASKET, cylinder head bolt	4		20
5	12782-35C00	12782-35C00	12782-35C00	12782-35C00	GUIDE, camchain NO.2	2		10
6	09390-35001	09390-35001	09390-35001	09390-35001	C-RING, camshaft	8		
7	09206-08001	09206-08001	09206-08001	09206-08001	PIN, camshaft housing knock	1		
8	01517-06128	01517-06128	01517-06128	01517-06128	BOLT, oil galley(M6X12)	4		
9	09168H06019	09168H06019	09168H06019	09168H06019	GASKET,oil galley bolt	4		
10	09103-06013	09103-06013	09103-06013	09103-06013	BOLT, camshaft housing(M6X20)	4		36
11	09482-00456	09482-00456	09482-00456	09482-00456	PLUG,spark CR8E	1		20
12	09109H07018	09109H07018	09109H07018	09109H07018	BOLT, cylinder head cover(M7X17.5)	3		
13	09161H11008	09161H11008	09161H11008	09161H11008	WASHER, cylinder head cover	1		24
14	09103H08306	09103H08306	09103H08306	09103H08306	BOLT, cylinder head (L=130)	1		24
15	11178-17E00	11178-17E00	11178-17E00	11178-17E00	GASKET, cylinder head cover NO.2	4		40
16	01421-06258	01421-06258	01421-06258	01421-06258	BOTL,cylinder head stud(M6x25)	1		
17	11121-35C00PCH	11121-35C00PCH	11121-35C00PCH	11121-35C00PCH	HOUSING, camshaft No.1	4	NOT SALE	
18	11122-35C00PCH	11122-35C00PCH	11122-35C00PCH	11122-35C00PCH	HOUSING, camshaft No.2	1	NOT SALE	
19	11123-35C00PCH	11123-35C00PCH	11123-35C00PCH	11123-35C00PCH	HOUSING, camshaft No.3	1	NOT SALE	
20	11124-35C00PCH	11124-35C00PCH	11124-35C00PCH	11124-35C00PCH	HOUSING, camshaft No.4	1	NOT SALE	

FIG 2

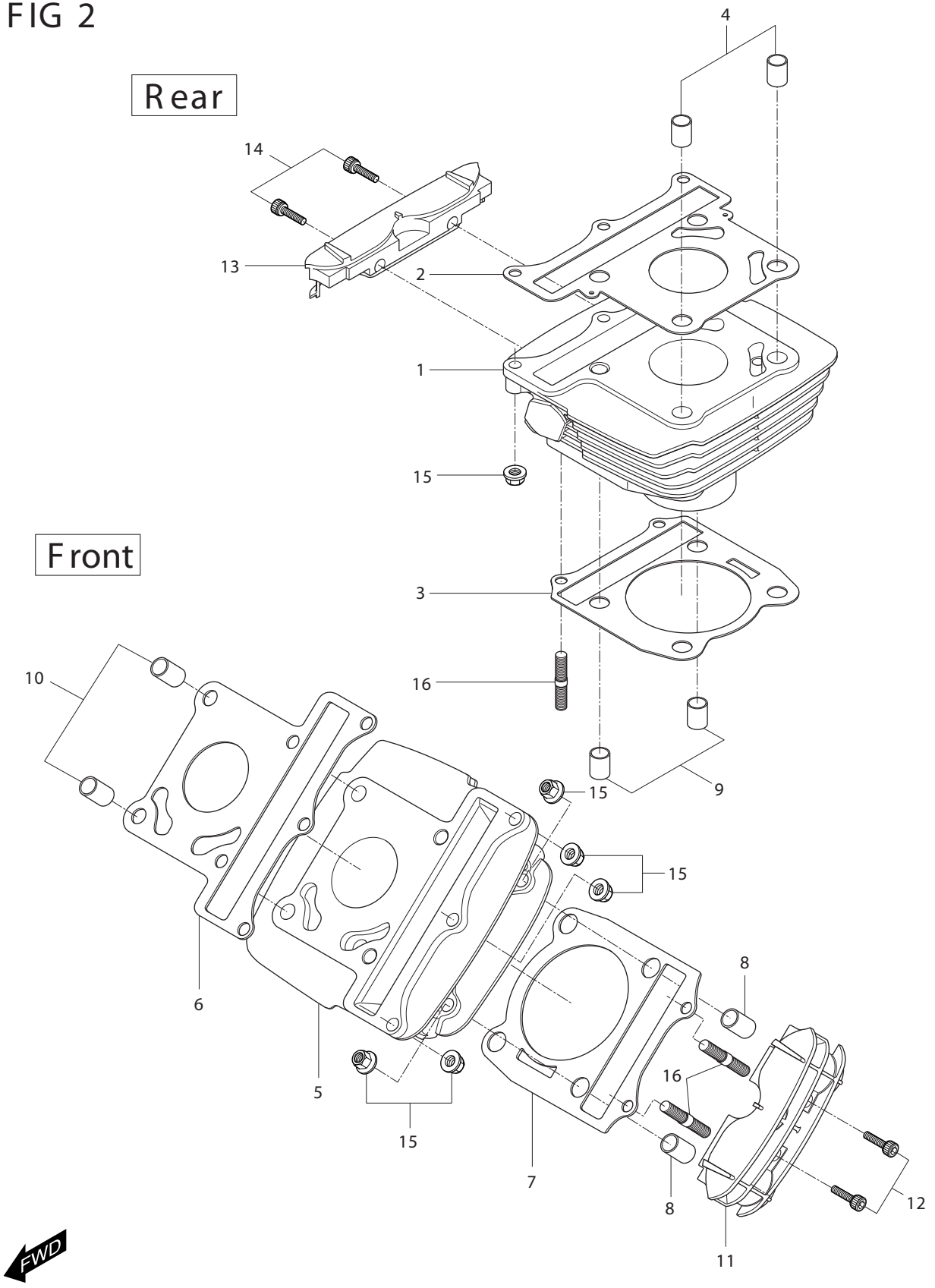


FIG 2. CYLINDER/FRONT, REAR

REF. NO.	GT250R FI - 2008	GT250RN EI - 2009		PARTS NAME	QTY	REMARKS	REC.QTY
	7EU01/7FO01/7GO01/7SO01	9EU01/9FO01/9GO01/9SO01/9AT	9US02				100 UNIT
1	11220HR8650PCY	11110SJ8610HPA	11110SJ8610HPA	CYLINDER COMP, rear	1		5
2	11141HJ8210	11141HJ8210	11141HJ8210	GASKET, cylinder head	1		20
3	11241HG5103	11241HG5103	11241HG5103	GASKET, cylinder	1		20
4	04213-11169	04213-11169	04213-11169	PIN, cylinder head knock	2		12
5	11210HR8650PCY	11110SJ8610HPA	11210HR8651PCY	CYLINDER COMP, front	1		5
6	11141HJ8210	11141HJ8210	11141HJ8210	GASKET, cylinder head	1		
7	11241HG5103	11241HG5103	11241HG5103	GASKET, cylinder	1		
8	04213-11149	04213-11149	04213-11149	KNOCK PIN, cylinder	2		20
9	04213-11149	04213-11149	04213-11149	KNOCK PIN, cylinder	2		20
10	04213-11169	04213-11169	04213-11169	PIN, cylinder head knock	2		20
11	11251HG510003S	11251HG5100121	11251HG5100121	FIN, cylinder (FRONT)	1		6
12	07110-05168	07110-05168	07110-05168	BOLT, cylinder fin (FRONT)	2		12
13	11251HG510003S	11251HG5100121	11251HG5100121	FIN, cylinder (REAR)	1		
14	07110-05168	07110-05168	07110-05168	BOLT, cylinder fin (REAR)	2		
15	08310-16068	08310-16068	08310-16068	NUT,cylinder head(116)	10		30
16	01421-06258	01421-06258	01421-06258	BOLT,cylinder stud	4		

FIG 3

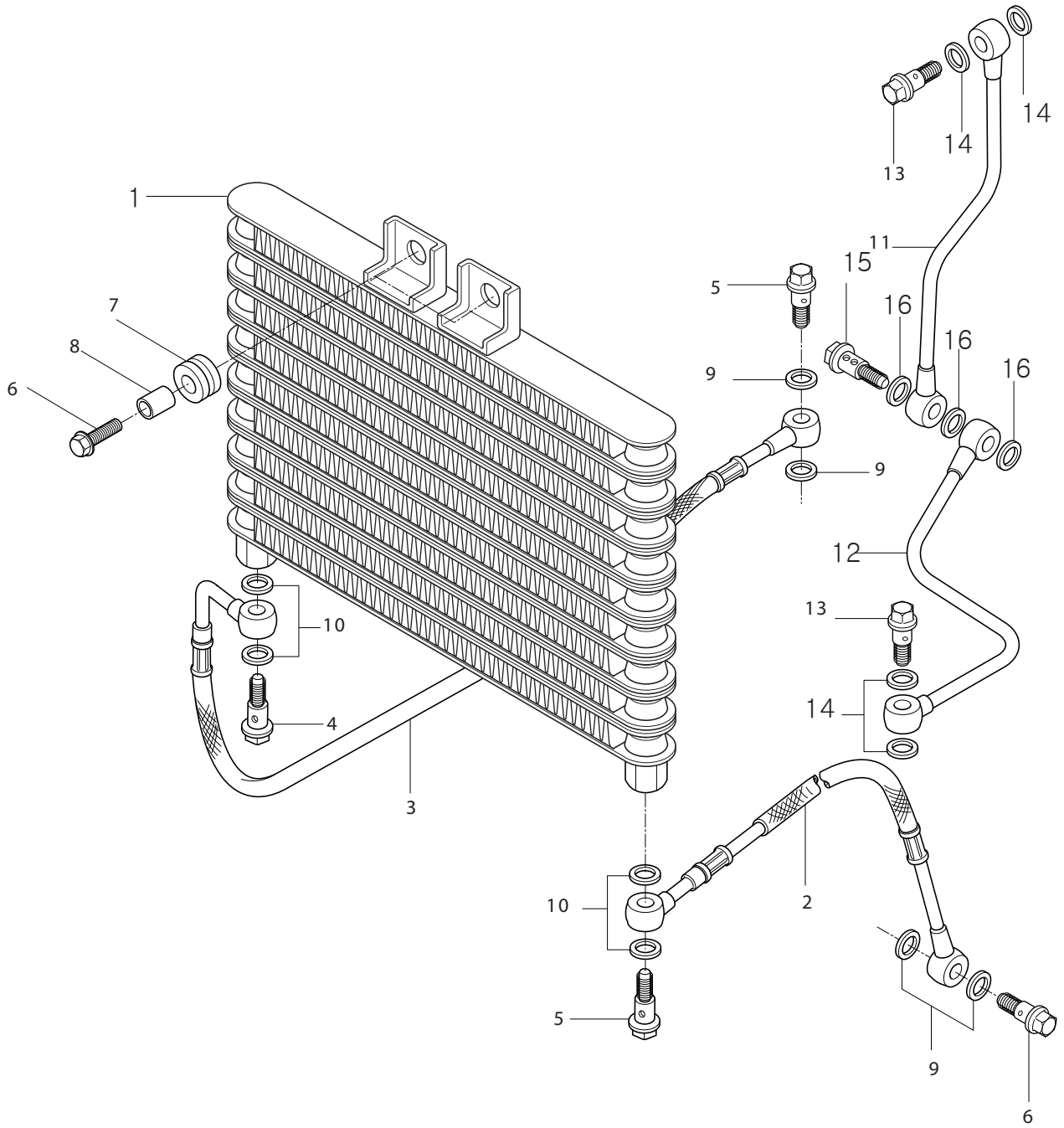


FIG 3. OIL COOLER

REF. NO.	GT250R FI - 2008	GT250RN EI - 2009		PARTS NAME	Q`TY	REMARKS	REC.Q`TY
	7EU01/7FO01/7GO01/7SO01	9EU01/9FO01/9GO01/9SO01/9AT	9US02				100 UNIT
1	16600HJ8200	16600HJ8200	16600HJ8200	COOLER ASS'Y, oil	1		5
2	16460HG5120	16460HG5120	16460HG5120	HOSE COMP, oil cooler NO.1	1		10
3	16470HJ8200	16470HJ8200	16470HJ8200	HOSE COMP, oil cooler NO.2	1		20
4	09360H12007	09360H12007	09360H12007	BOLT, oil cooler hose union NO.2	2		20
5	09360H10034	09360H10034	09360H10034	BOLT, oil cooler hose union NO.1	2		10
6	01102-06258	01102-06258	01102-06258	BOLT, oil cooler	2		10
7	09320-10015	09320-10015	09320-10015	CUSHION, oil cooler	2		
8	09180-06030	09180-06030	09180-06030	SPACER, oil cooler	2		
9	09161-10009	09161-10009	09161-10009	GASKET, oil cooler NO.1	4		20
10	09168-14011	09168-14011	09168-14011	GASKET, oil cooler NO.2	4		20
11	11280HJ8200	11280HJ8200	11280HJ8200	PIPE COMP, oil front	1		3
12	11290HG5101	11290HG5101	11290HG5101	PIPE COMP, oil rear	1		3
13	09360H10034	09360H10034	09360H10034	UNION BOLT, oil pipe upper	2		
14	09161-10009	09161-10009	09161-10009	GASKET, oil pipe upper	4		
15	15331HG5101	15331HG5101	15331HG5101	UNION BOLT, oil pipe lower	1		5
16	09161-10009	09161-10009	09161-10009	GASKET, oil pipe lower	3		

FIG 4

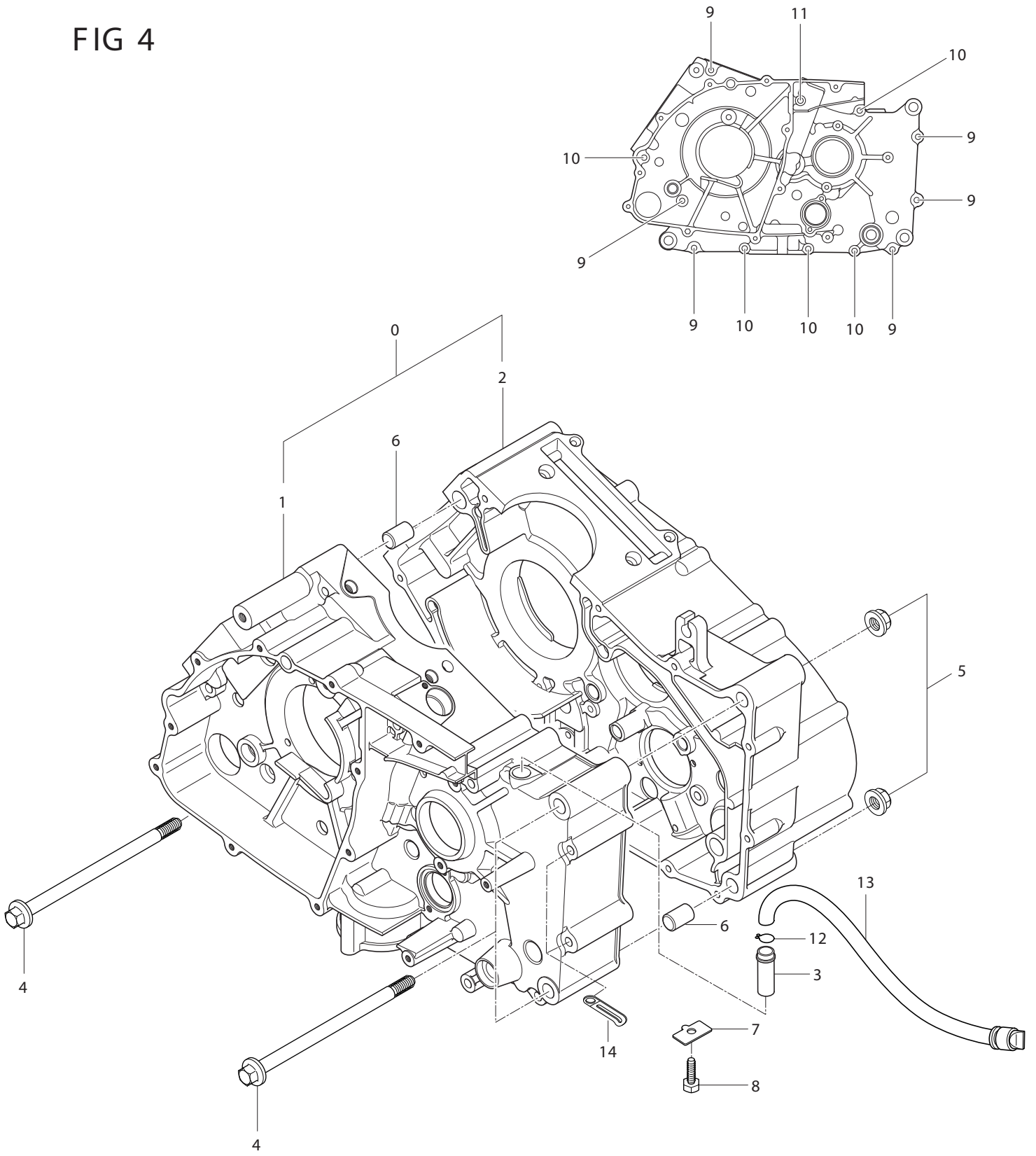


FIG 4. CRANK CASE

REF. NO.	GT250R FI - 2008		GT250RN EI - 2009		PARTS NAME	Q'TY	REMARKS	REC.Q'TY
	7EU01/7FO01/7GO01/7SO01		9EU01/9FO01/9GO01/9SO01/9AT 9US02					100 UNIT
0	11300HM8100HPA	11300HM8100HPA	11300HM8100HPA	11300HM8100HPA	CRANKCASE ASS'Y	1		5
1	11320HM8100HPA	11320HM8110HPA	11320HM8110HPA	11320HM8110HPA	CRANKCASE COMP, L	1		2
2	11310HM8100HPA	11320HM8110HPA	11320HM8110HPA	11320HM8110HPA	CRANKCASE COMP, L	1		2
3	09364-12001	09364-12001	09364-12001	09364-12001	UNION, breather hose	1		
4	09103H10022	09103H10022	09103H10022	09103H10022	BOLT, frame & engine l=110	3		2
5	08319-31108	08319-31108	08319-31108	08319-31108	NUT, frame & engine	3		2
6	04213-13189	04213-13189	04213-13189	04213-13189	PIN, crankcase knock	2		12
7	11319-05200	11319-05200	11319-05200	11319-05200	PLATE, oil gallery plug	1		
8	01107-06106	01107-06106	01107-06106	01107-06106	BOLT, oil gallery plug plate	1		
9	01547-06558	01547-06558	01547-06558	01547-06558	BOLT, crankcase	6		
10	01547-06808	01547-06808	01547-06808	01547-06808	BOLT, crankcase	5		
11	02112-06908	02112-06908	02112-06908	02112-06908	SCREW,crankcase	1		
12	09401-14301	09401-14301	09401-14301	09401-14301	CLIP,breather drain cap	1		
13	13870H29B00	13870H29B00	13870H29B00	13870H29B00	CAP COMP,breather drain	1		
14	09404-06404	09404-06404	09404-06404	09404-06404	CLAMP, crankcase	2		

FIG 5

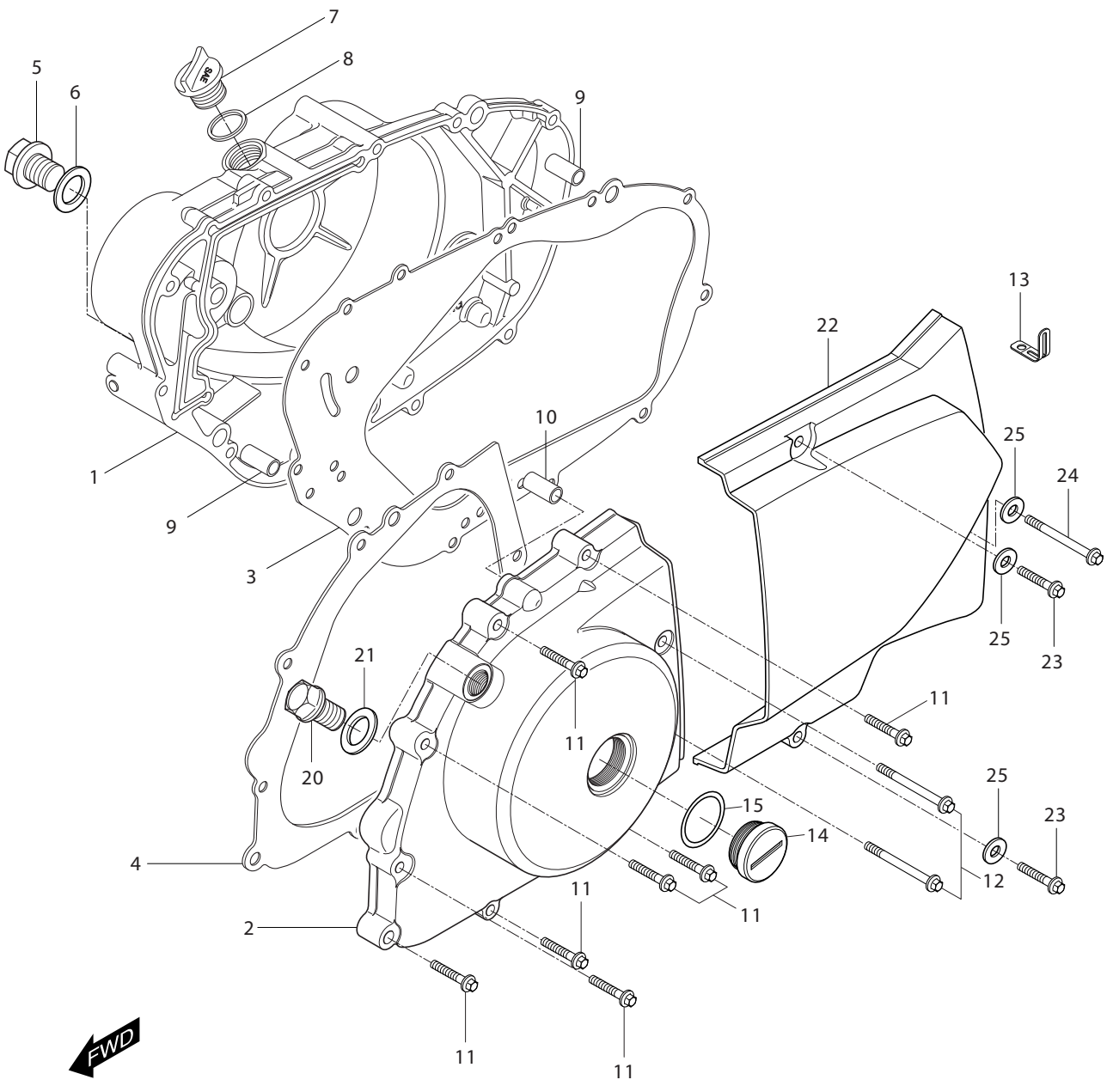
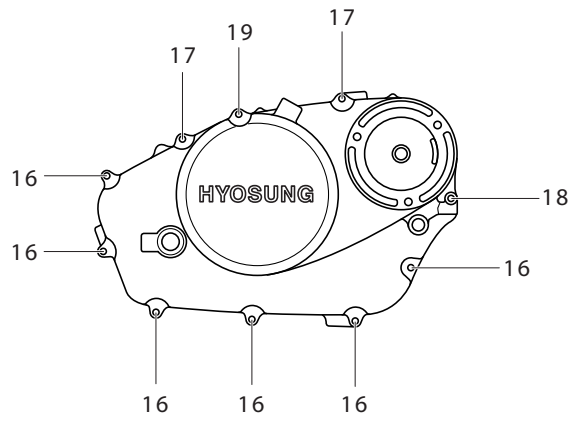


FIG 5. CRANK CASE COVER

REF. NO.	GT250R FI - 2008		GT250RN EI - 2009		PARTS NAME	Q'TY	REMARKS	REC.Q'TY
	7EU01/7FO01/7GO01/7SO01	9EU01/9FO01/9GO01/9SO01/9AT	9US02					100 UNIT
1	11341SM8100HPA	11341SM8110HPA	11341SM8110HPA	11341SM8110HPA	COVER COMP, clutch	1		5
2	11351HJ820303S	11351HJ8203121	11351HJ8203121	11351HJ8203121	COVER , magneto	1		5
3	11482HG5102	11482HG5102	11482HG5102	11482HG5102	GASKET, clutch cover (NA)	1		10
4	11483HG5102	11483HG5102	11483HG5102	11483HG5102	GASKET, magneto cover	1		10
5	09247-14026	09247-14026	09247-14026	09247-14026	PLUG, oil check	1		10
6	09168H14003	09168H14003	09168H14003	09168H14003	GASKET, oil check plug	1		30
7	09259-20010	09259-20010	09259-20010	09259-20010	PLUG, eng oil filler	1		2
8	09280-17003	09280-17003	09280-17003	09280-17003	O-RING, eng oil filler plug	1		5
9	04213-13189	04213-13189	04213-13189	04213-13189	PIN, clutch cover knock	2		
10	04213-09129	04213-09129	04213-09129	04213-09129	PIN,magneto cover knock	1		
11	01547-06308	01547-06308	01547-06308	01547-06308	BOLT, magneto cover	7		6
12	01547-06708	01547-06708	01547-06708	01547-06708	BOLT, magneto cover	2		10
13	09403H09304	09403H09304	09403H09304	09403H09304	CLAMP, clutch cable	1		
14	09259-2601503S	09259-2601503S	09259-2601503S	09259-2601503S	PLUG, crankshaft hole	1		2
15	09280-22008	09280-22008	09280-22008	09280-22008	O-RING, crankshaft hole plug	1		5
16	01547-06258	01547-06258	01547-06258	01547-06258	BOLT, clutch cover	6		12
17	01547-06358	01547-06358	01547-06358	01547-06358	BOLT, clutch cover	2		6
18	01547-06608	01547-06608	01547-06608	01547-06608	BOLT, clutch cover	1		5
19	01547-06758	01547-06758	01547-06758	01547-06758	BOLT, clutch cover	1		5
20	09247H12102	09247H12102	09247H12102	09247H12102	PLUG, TDC	1		5
21	09168H12003	09168H12003	09168H12003	09168H12003	GASKET, T.D.C plug	1		5
22	11360HM810103S	11360HM810103S	11360HM8101121	11360HM8101121	COVER COMP, engine sprocket	1		5
23	01547-06308	01547-06308	01547-06308	01547-06308	BOLT, engine sprocket cover	2		
24	01547-06408	01547-06408	01547-06408	01547-06408	BOLT, engine sprocket cover	1		
25	08321-31068	08321-31068	08321-31068	08321-31068	WASHER, engine sprocket cover	3		

FIG 6

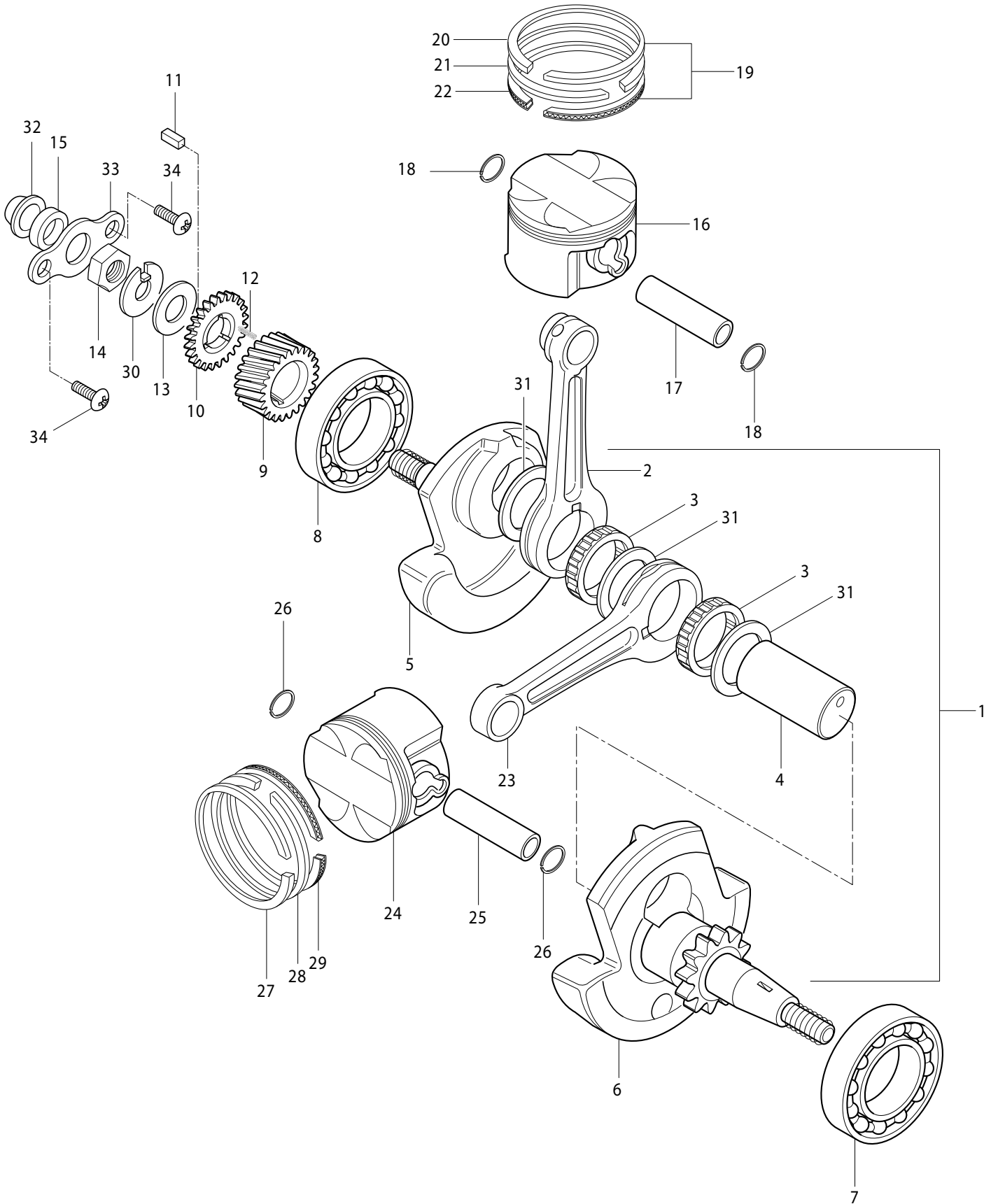


FIG 6. CRANK SHAFT

REF. NO.	GT250R FI - 2008 7EU01/7FO01/7GO01/7SO01	GT250RN EI - 2009 9EU01/9FO01/9GO01/9SO01/9AT 9US02	PARTS NAME	QTY	REMARKS	REC.QTY 100 UNIT (PCS)
1	12200HJ8200HPA	12200HJ8200HPA	12200HJ8200HPA	CRANK SHAFT ASS'Y	1	10
2	12161HJ8200	12161HJ8200	12161HJ8200	ROD, connecting	1	10
3	09263H30002	09263H30002	09263H30002	BEARING, crank pin	2	5
4	12211HJ8202HPA	12211HJ8202HPA	12211HJ8202HPA	PIN, crank	1	5
5	12221HJ8203CSA	12221HJ8203CSA	12221HJ8203CSA	CRANK SHAFT, R	1	
6	12261HJ8203CSA	12261HJ8203CSA	12261HJ8203CSA	CRANK SHAFT, L	1	
7	09262H350A60AO	09262H350A60AO	09262H350A60AO	BEARING, crank shaft, R	1	
8	09262H350A60AO	09262H350A60AO	09262H350A60AO	BEARING, crank shaft, L	1	
9	21111HJ8201	21111HJ8201	21111HJ8201	GEAR, primary drive	1	
10	21112HJ8200	21112HJ8200	21112HJ8200	GEAR, primary drive NO.2	1	
11	09421H05001	09421H05001	09421H05001	KEY, primary drive gear	1	
12	21114-35C00	21114-35C00	21114-35C00	SPRING,primary drive gear	3	
13	09166H16021	09166H16021	09166H16021	WASHER, primary drive gear thrust	1	
14	09140-16019	09140-16019	09140-16019	NUT,primary drive gear	1	
15	09282-12001	09282-12001	09282-12001	SEAL, crank shaft oil rh	1	
16	12111HM8101PPS	12111HM8101PPS	12111HM8101PPS	PISTON,rear	1	7
17	12151-30B00	12151-30B00	12151-30B00	PIN, piston	1	
18	09381-15001	09381-15001	09381-15001	CIRCLIP, piston pin	2	
19	12140-16E00	12140-16E00	12140-16E00	RINGSET, piston	2	20
20	12141-16E00	12141-16E00	12141-16E00	RING, piston 1st	1	20
21	12142-16E00	12142-16E00	12142-16E00	RING, piston 2nd	1	20
22	12144-16E00	12144-16E00	12144-16E00	RING, piston oil	1	20

FIG 6

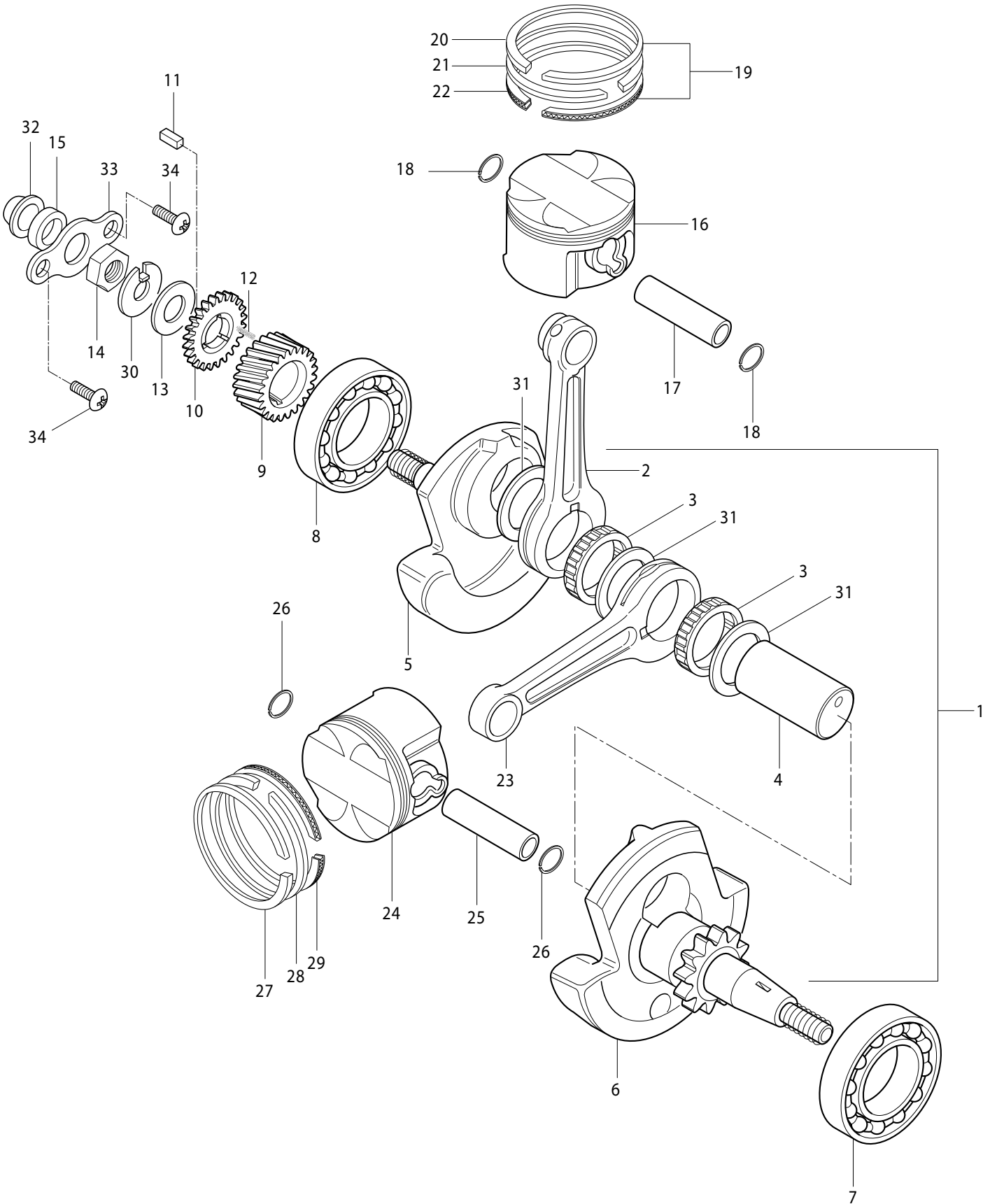


FIG 6. CRANK SHAFT

REF. NO.	GT250R FI - 2008	GT250RN EI - 2009		PARTS NAME	QTY	REMARKS	REC.QTY
	7EU01/7FO01/7GO01/7SO01	9EU01/9FO01/9GO01/9SO01/9AT	9US02				(PCS)
23	12161HJ8200	12161HJ8200	12161HJ8200	ROD, connecting	1		
24	12111HM8101PPS	12111HM8101PPS	12111HM8101PPS	PISTON,front	1		14
25	12151-30B00	12151-30B00	12151-30B00	PIN, piston	1		
26	09381-15001	09381-15001	09381-15001	CIRCLIP, piston pin	2		
27	12141-16E00	12141-16E00	12141-16E00	RING, piston 1st	1		
28	12142-16E00	12142-16E00	12142-16E00	RING, piston 2nd	1		
29	12144-16E00	12144-16E00	12144-16E00	RING, piston oil	1		
30	09166H16032	09166H16032	09166H16032	WASHER,primary drive gear lock	1		
31	09160H30001	09160H30001	09160H30001	WASHER	3		
32	11342HJ8200	11342HJ8200	11342HJ8200	JET	1		
33	11343HG5100	11343HG5100	11343HG5100	RETAINER	1		
34	02112-06108	02112-06108	02112-06108	SCREW	2		

FIG.7

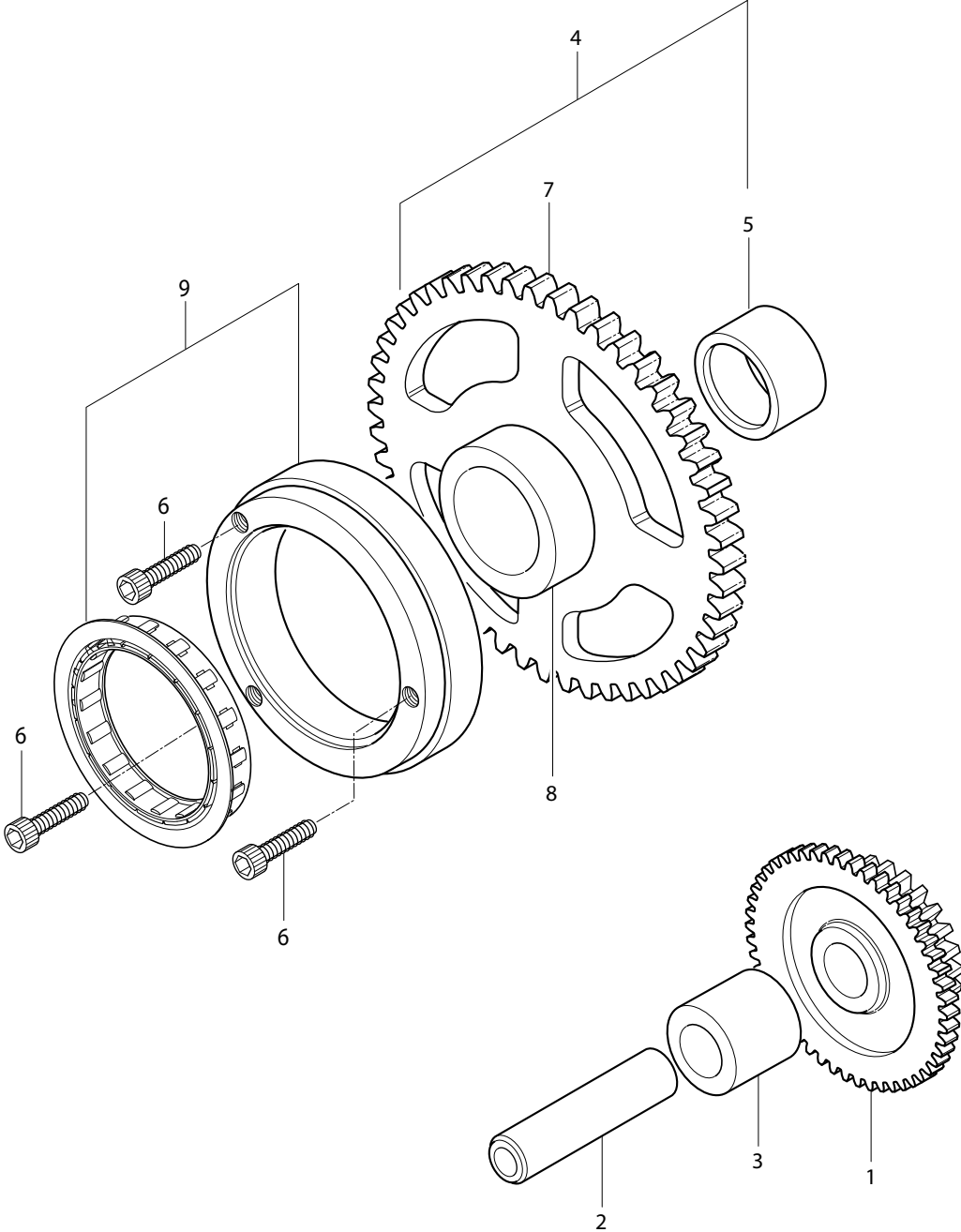


FIG 7. STARTER CLUTCH

REF. NO.	GT250R FI - 2008 7EU01/7FO01/7GO01/7SO01	GT250RN EI - 2009 9EU01/9FO01/9GO01/9SO01/9AT 9US02	PARTS NAME	QTY	REMARKS	REC.QTY 100 UNIT (PCS)
1	12611HJ8200	12611HJ8200	12611HJ8200	GEAR, starter idle		5
2	12612HG5100	12612HG5100	12612HG5100	SHAFT,starter idle gear		
3	09180-13006	09180-13006	09180-13006	SPACE, starter idle gear		
4	12620HJ8204	12620HJ8204	12620HJ8204	GEAR COMP, starter clutch		
5	09304H25002	09304H25002	09304H25002	BUSH, starter clutch gear	NOT SALE	
6	07110-08258	07110-08258	07110-08258	BOLT, starter clutch		
7	12622HJ8201	12622HJ8201	12622HJ8201	GEAR, starter clutch	NOT SALE	
8	12621HJ8200	12621HJ8200	12621HJ8200	RACE, starter clutch gear inner	NOT SALE	
9	12614HS5000	12614HS5000	12614HS5000	CLUTCH, starter one way		

FIG 8-1

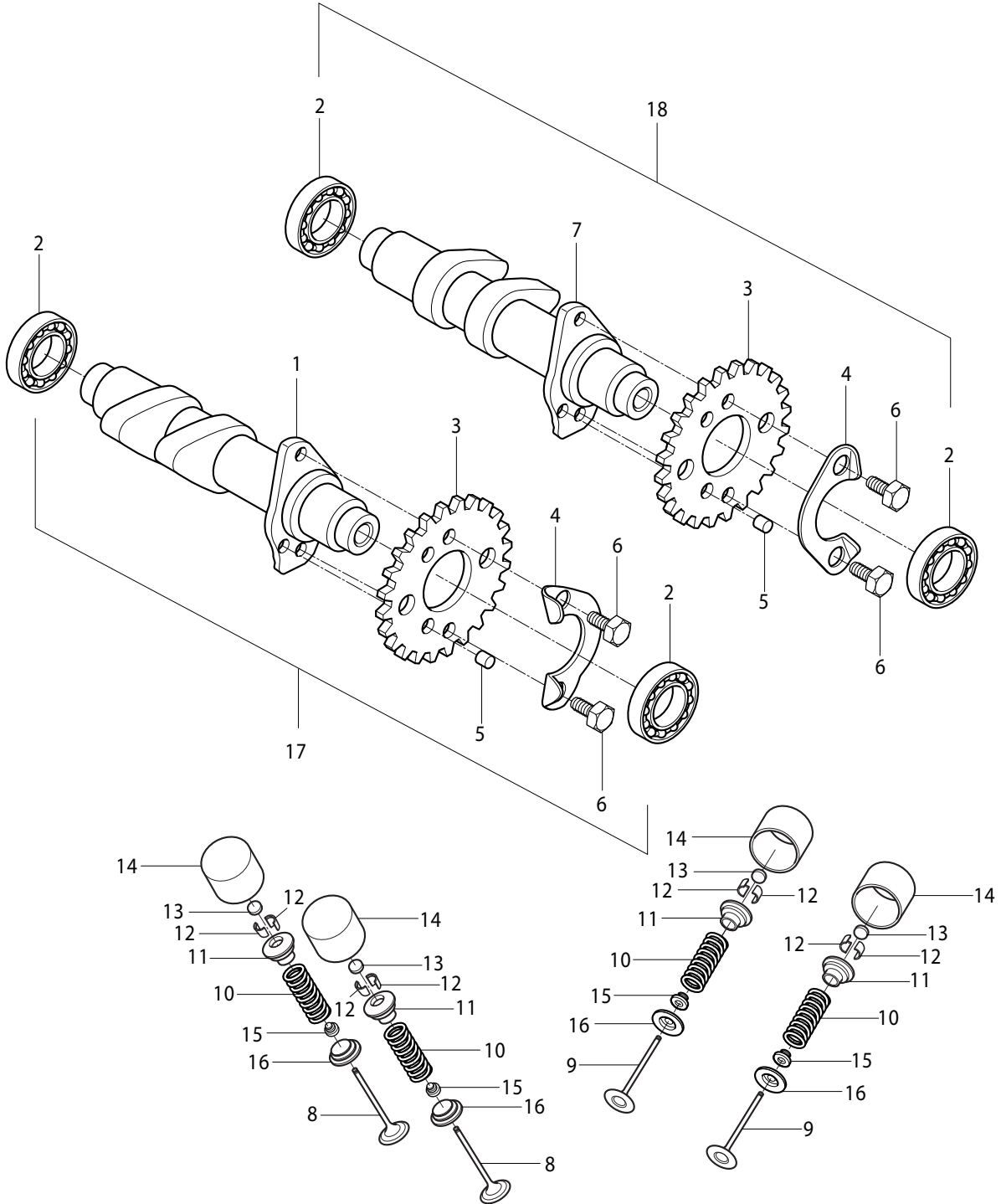


FIG 8-1. CAMSHAFT REAR

REF. NO.	GT250R FI - 2008		GT250RN EI - 2009		PARTS NAME	QTY	REMARKS	REC.QTY
	7EU01/7FO01/7GO01/7SO01	9EU01/9FO01/9GO01/9SO01/9AT	9US02					100 UNIT
1	12711HM8100888	12711HM8100888	12711HM8100888		CAMSHAFT, intake rear	1		5
2	09262-17019	09262-17019	09262-17019		BEARING, camshaft rear (22.4X29.6X8)	4		40
3	12742HJ8200	12742HJ8200	12742HJ8200		SPROCKET, camshaft rear	2		
4	12747-44B00	12747-44B00	12747-44B00		WASHER, sprocket rear	2		
5	09261-05005	09261-05005	09261-05005		PIN, sprocket rear	2		
6	09111-06032	09111-06032	09111-06032		BOLT, sprocket rear (M6X10)	4		
7	12721HJ8200888	12721HJ8200888	12721HJ8200888		CAMSHAFT, exhaust rear	1		
8	12911HJ8200	12911HJ8200	12911HJ8200		VALVE, intake rear	2		
9	12912HJ8200	12912HJ8200	12912HJ8200		VALVE, exhaust rear	2		
10	12921HJ8200	12921HJ8200	12921HJ8200		SPRING, valve rear	4		
11	12931HJ8200	12931HJ8200	12931HJ8200		RETAINER, valve spring rear	4		
12	12932HJ8200	12932HJ8200	12932HJ8200		COTTER, valve rear	8		
13	12892-05C00(#170)	12892-05C00(#170)	12892-05C00(#170)		SHIM, tappet rear	4		
14	12881HJ8200	12881HJ8200	12881HJ8200		TAPPET, rear	4		
15	09289H04002	09289H04002	09289H04002		SEAL, valve stem oil rear (4X7.2X8)	4		
16	12933HJ8200	12933HJ8200	12933HJ8200		SEAT, valve spring rear	4		
17	12720HJ8200HPA	12720HJ8200HPA	12720HJ8200HPA		CAMSHAFT ASS'Y, rear intake	1		5
18	12750HJ8201HPA	12750HJ8201HPA	12750HJ8201HPA		CAMSHAFT ASS'Y, rear exhaust	1		5

FIG 8-2

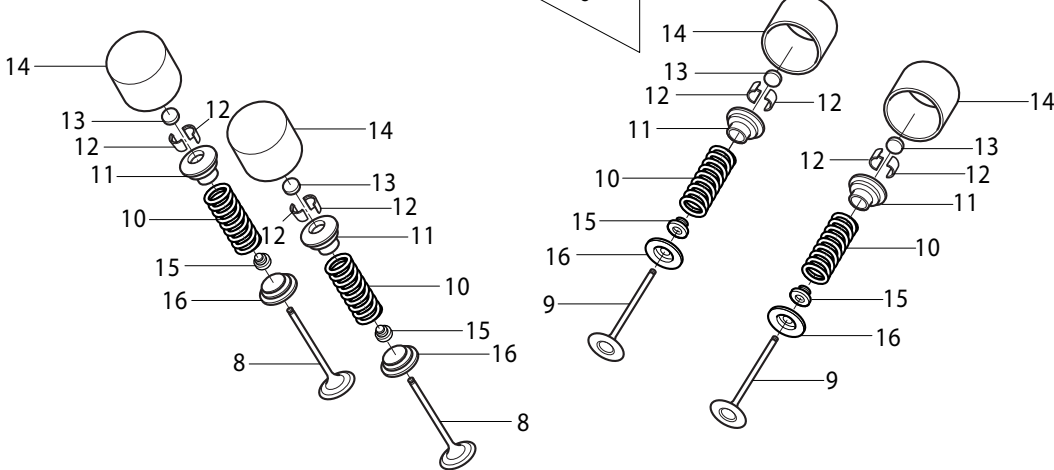
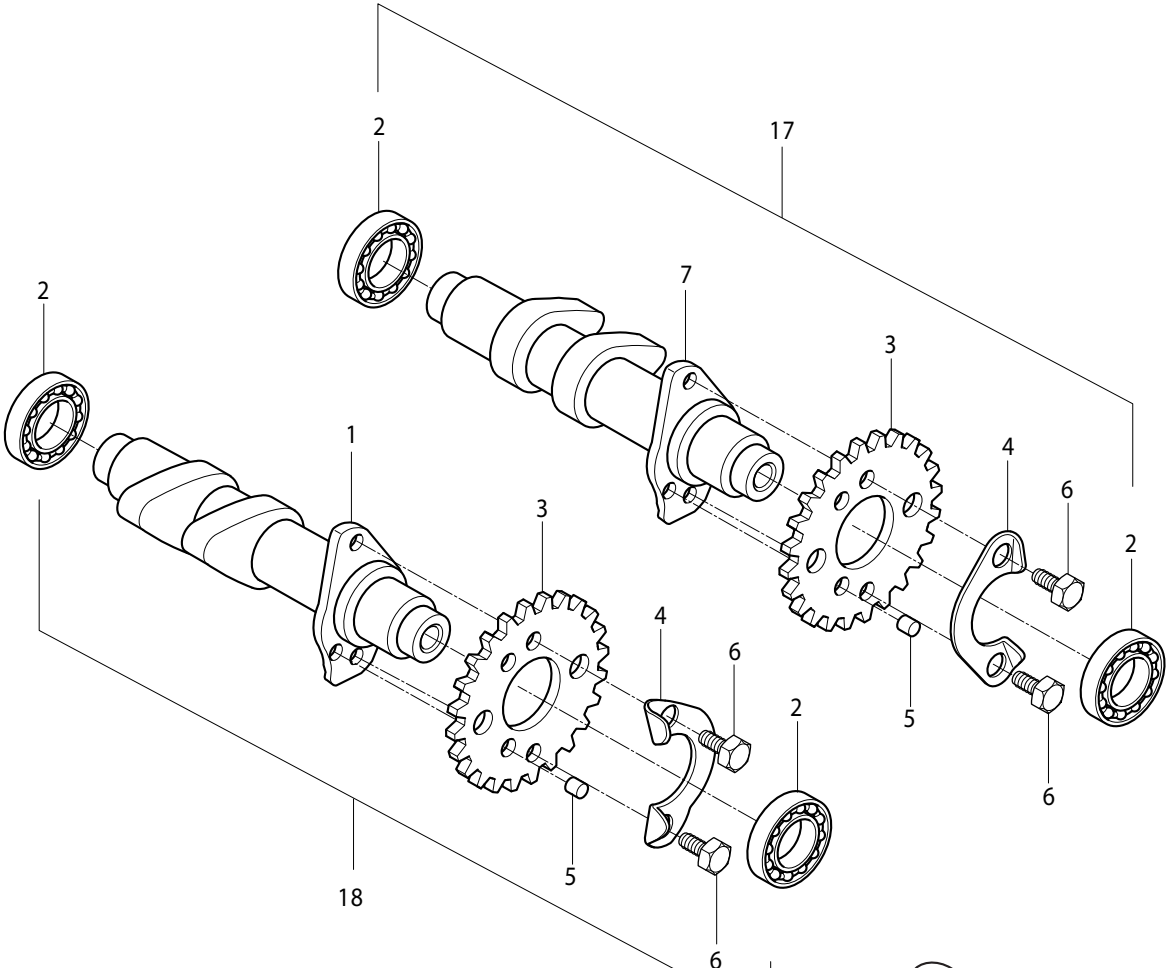


FIG 8-2. CAMSHAFT FRONT

REF. NO.	GT250R FI - 2008		GT250RN EI - 2009		PARTS NAME	QTY	REMARKS	REC.QTY
	7EU01/7FO01/7GO01/7SO01	9EU01/9FO01/9GO01/9SO01/9AT	9US02					100 UNIT
1	12711HJ8200888	12711HJ8200888	12711HJ8200888	12711HJ8200888	CAMSHAFT, intake front	1		5
2	09262-17019	09262-17019	09262-17019	09262-17019	BEARING, camshaft front (22.4X29.6X8)	4		
3	12741H16E00	12741H16E00	12741H16E00	12741H16E00	SPROCKET, camshaft front	2		
4	12747-44B00	12747-44B00	12747-44B00	12747-44B00	WASHER, sprocket front	2		
5	09261-05005	09261-05005	09261-05005	09261-05005	PIN, sprocket front	2		
6	09111-06032	09111-06032	09111-06032	09111-06032	BOLT, sprocket front (M6X10)	4		
7	12721HJ8200888	12721HJ8200888	12721HJ8200888	12721HJ8200888	CAMSHAFT, exhaust front	1		5
8	12911HJ8200	12911HJ8200	12911HJ8200	12911HJ8200	VALVE, intake front	2		
9	12912HJ8200	12912HJ8200	12912HJ8200	12912HJ8200	VALVE, exhaust front	2		
10	12921HJ8200	12921HJ8200	12921HJ8200	12921HJ8200	SPRING, valve front	4		
11	12931HJ8200	12931HJ8200	12931HJ8200	12931HJ8200	RETAINER, valve spring front	4		
12	12932HJ8200	12932HJ8200	12932HJ8200	12932HJ8200	COTTER, valve front	8		
13	12892-05C00(#170)	12892-05C00(#170)	12892-05C00(#170)	12892-05C00(#170)	SHIM, tappet front	4		
14	12881HJ8200	12881HJ8200	12881HJ8200	12881HJ8200	TAPPET, front	4		
15	09289H04002	09289H04002	09289H04002	09289H04002	SEAL, valve stem oil front (4X7.2X8)	4		
16	12933HJ8200	12933HJ8200	12933HJ8200	12933HJ8200	SEAT, valve spring front	4		
17	12710HJ8200HPA	12710HJ8200HPA	12710HJ8200HPA	12710HJ8200HPA	CAMSHAFT ASS'Y, front intake	1		5
18	12730HJ8200HPA	12730HJ8200HPA	12730HJ8200HPA	12730HJ8200HPA	CAMSHAFT ASS'Y, front exhaust	1		5

FIG 9

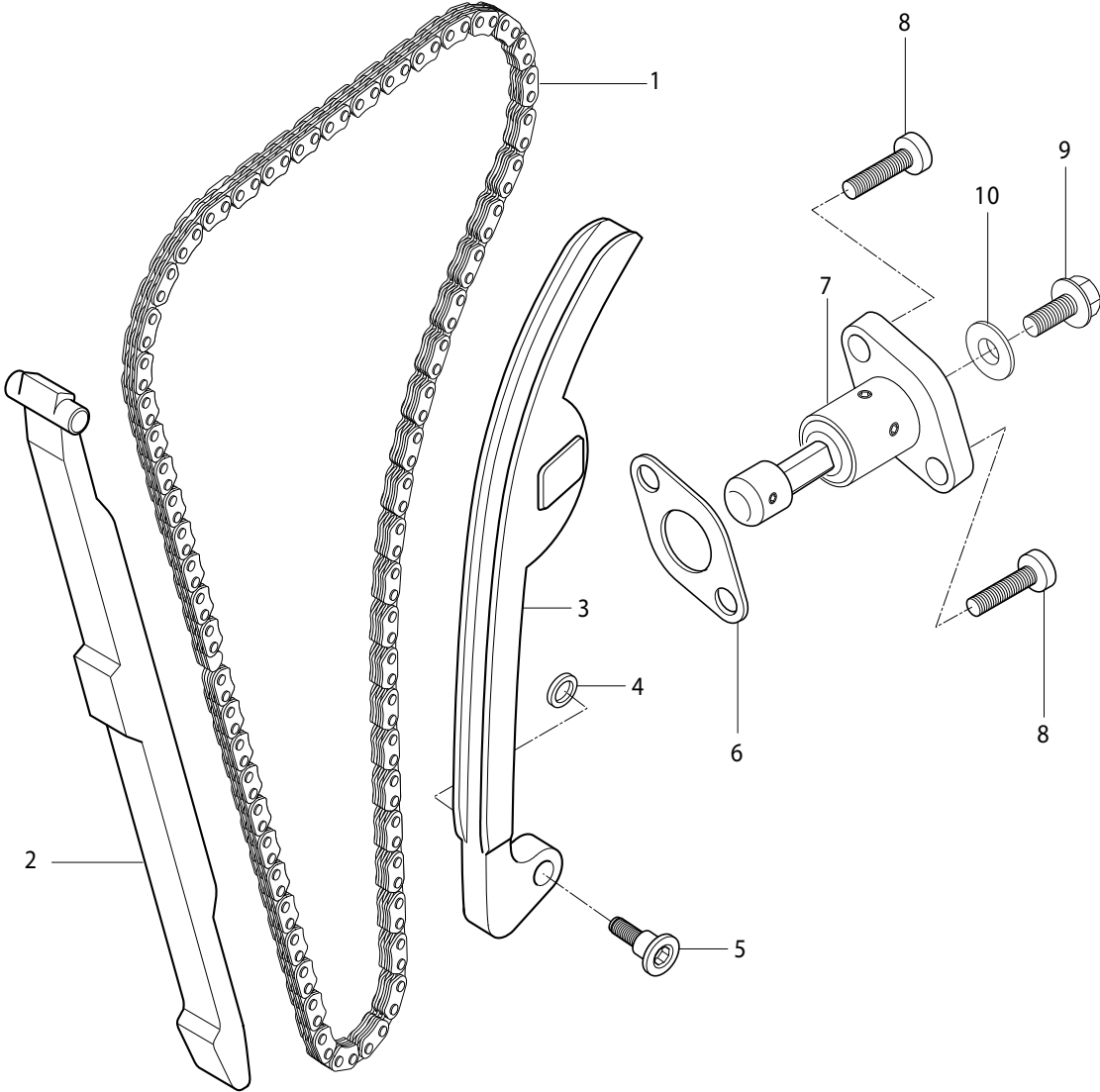


FIG 9. CAM CHAIN

REF. NO.	GT250R FI - 2008	GT250RN EI - 2009		PARTS NAME	Q`TY	REMARKS	REC.Q`TY
	7EU01/7FO01/7GO01/7SO01	9EU01/9FO01/9GO01/9SO01/9AT	9US02				(PCS)
1	12760-16E00	12760-16E00	12760-16E00	CHAIN COMP, camshaft drive	2		6
2	12771-16E00	12771-16E00	12771-16E00	GUIDE, camchain NO.1	2		10
3	12811HJ8200	12811HJ8200	12811HJ8200	TENSIONER, camchain	4		10
4	08211-06181	08211-06181	08211-06181	WASHER, camchain tensioner bolt	2		10
5	12812H35C00	12812H35C00	12812H35C00	BOLT, camchain tensioner	2		10
6	12837HP7600	12837HP7600	12837HP7600	GASKET, tensioner adjuster	2		10
7	12830HR6500	12830HR6500	12830HR6500	ADJUSTER ASS`Y, tensioner	2		5
8	07110-06208	07110-06208	07110-06208	BOLT, tensioner adjuster	2		5
9	12839HN9120	12839HN9120	12839HN9120	SCREW, tensioner adjuster	2		5
10	12838HP7600	12838HP7600	12838HP7600	O-RING, adjuster	2		5

FIG.10

0

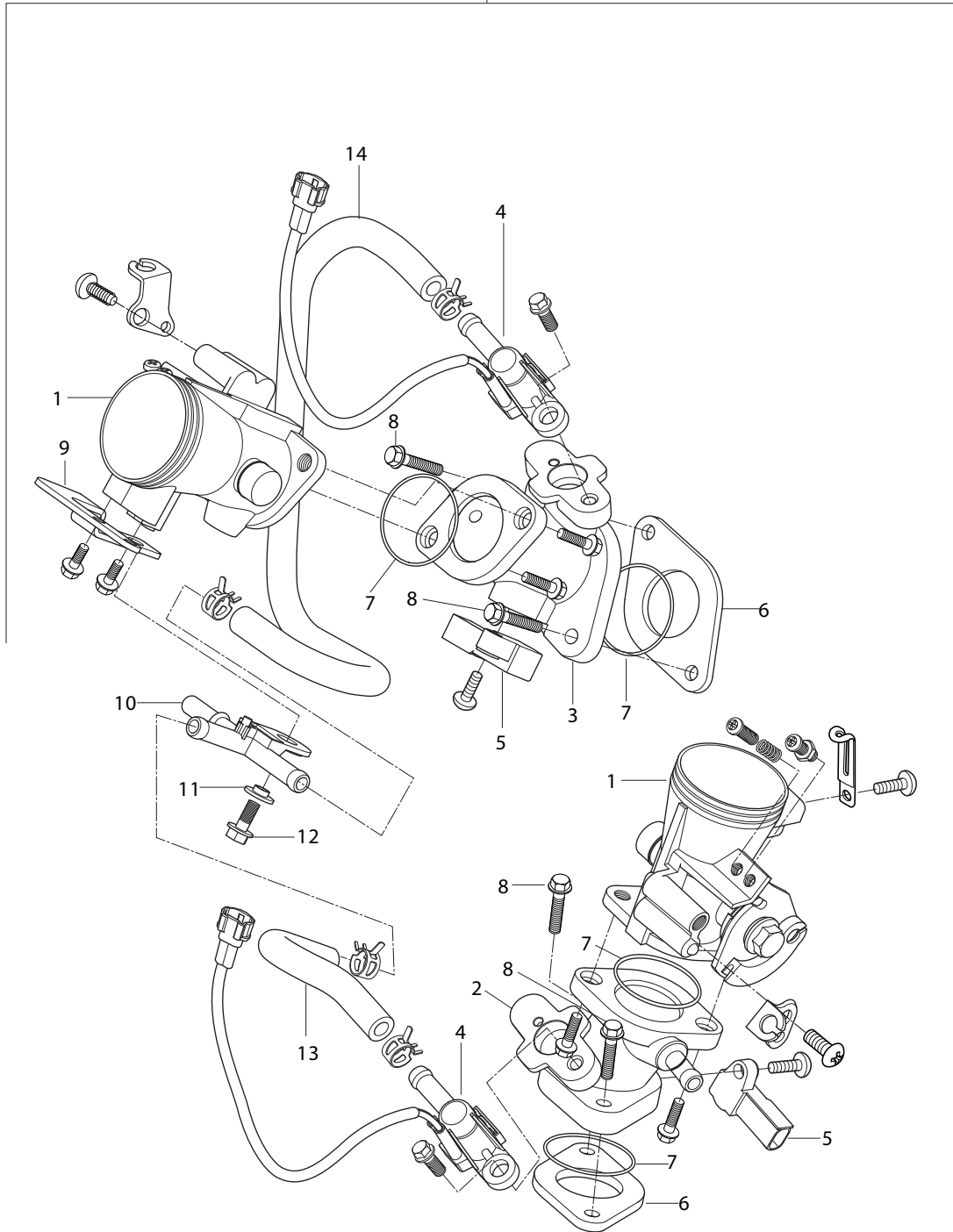


FIG 10. THROTTLE BODY

REF. NO.	GT250R FI - 2008	GT250RN EI - 2009		PARTS NAME	QTY	REMARKS	REC.QTY
	7EU01/7FO01/7GO01/7SO01	9EU01/9FO01/9GO01/9SO01/9AT	9US02				100 UNIT
0	13400HR8600	13400H88601	13400H88601	BODY ASS'Y, throttle	1		5
1	13410HR8600	13410H88601	13410H88601	BODY COMP, throttle	2		
2	13110HR8600	13110HR8600	13110HR8600	PIPE COMP, intake front	1		
3	13120HR8600	13120HR8600	13120HR8600	PIPE COMP, intake rear	1		
4	15710HR8600	15710H88601	15710H88601	INJECTOR	2		
5	37920HP8800	37920HP8800	37920HP8800	SENSOR, intake air pressure	2		
6	13129HR8600	13129HR8600	13129HR8600	INSULATOR	2		
7	09280H34000	09280H34000	09280H34000	O-RING, intake pipe	4		
8	09128H06020	09128H06020	09128H06020	SCREW, intake pipe	4		
9	13480HR8600	13480HR8600	13480HR8600	BRACKET COMP, fuel hose joint	1		
10	15911HP9300	15911HP9300	15911HP9300	JOINT, fuel hose	1		
11	09169H06078	09169H06078	09169H06078	WASHER, fuel hose joint	1		
12	01517-06125	01517-06125	01517-06125	BOLT, joint	1		
13	15870HR8600	15870HR8600	15870HR8600	HOSE ASS'Y, fuel injector joint No1.	1		
14	15880HR8600	15880HR8600	15880HR8600	HOSE ASS'Y, fuel injector joint No2.	1		

FIG.10-1

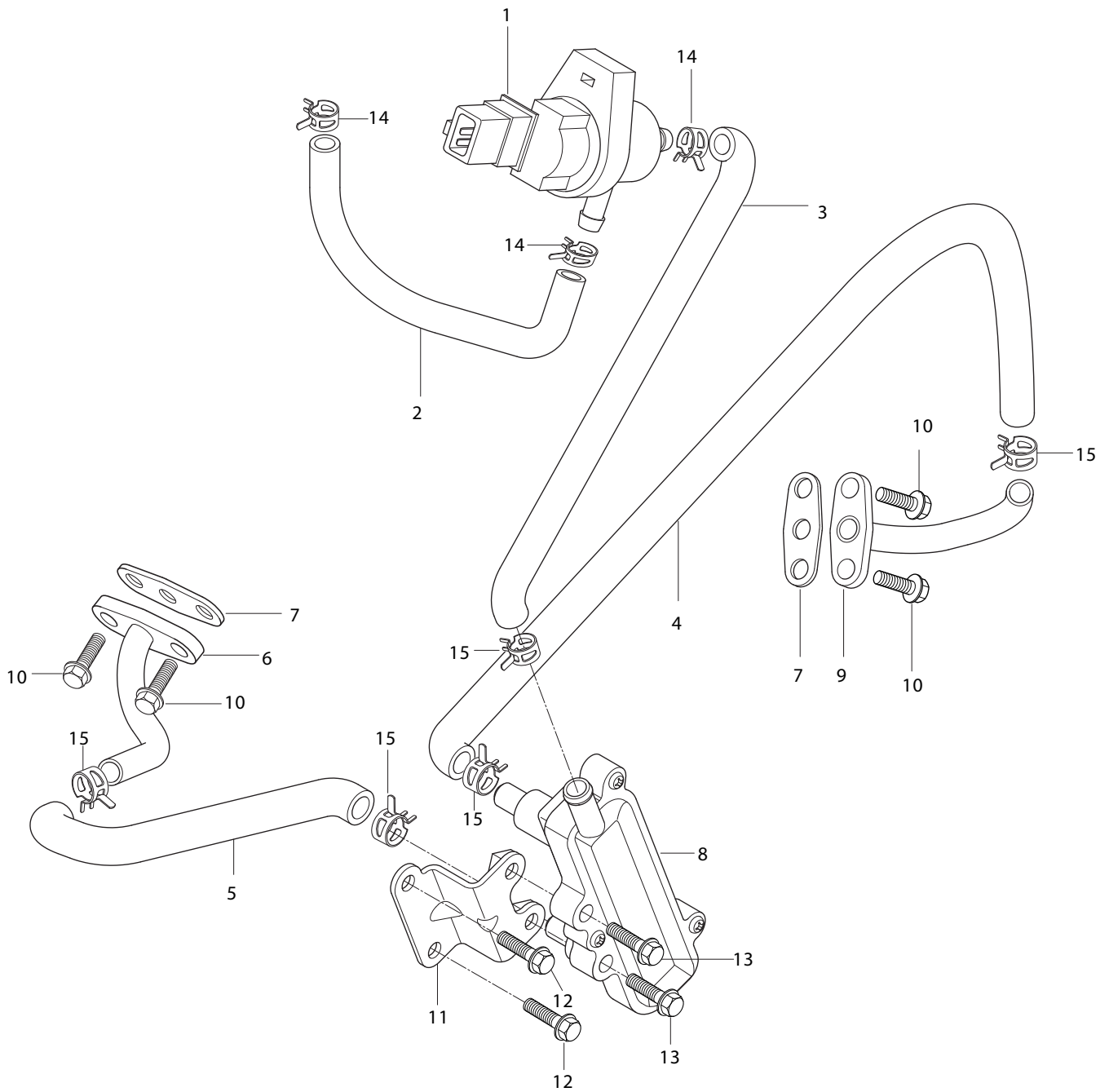


FIG 10-1. 2ND AIR VALVE

REF. NO.	GT250R FI - 2008	GT250RN EI - 2009		PARTS NAME	Q`TY	REMARKS	REC.Q`TY
	7EU01/7FO01/7GO01/7SO01	9EU01/9FO01/9GO01/9SO01/9AT	9US02				100 UNIT
1	18500HP8800	18500H89800	18500H89800	VALVE ASS'Y, 2nd air	1		10
2	18651HR8600	18651H88600	18651H88600	HOSE, 2nd air cleaner	1		
3	18581HR8600	18591H88600	18591H88600	HOSE, 2nd reed valve	1		
4	18641HR8600	18641H88600	18641H88600	HOSE, 2nd air pipe rear	1		
5	18631HR8600	18631H88600	18631H88600	HOSE, 2nd air pipe front	1		
6	18610HM8130	18610HM8130	18610HM8130	PIPE COMP, 2nd air front	1		
7	18615HN9101	18615HN9101	18615HN9101	GASKET, 2nd air pipe	2		
8	18560HR8600	18560HR8600	18560HR8600	VALVE ASS'Y, reed	1		
9	18610HJ8290	18610HJ8290	18610HJ8290	PIPE COMP, 2nd air rear	1		
10	09128-06005	09128-06005	09128-06005	BOLT, 2nd air pipe	4		
11	18570HR8600	18570HR8600	18570HR8600	BRACKET COMP, reed valve	1		
12	01517-06125	01517-06125	01517-06125	BOLT, reed valve bracket	2		
13	01547-06208	01547-06208	01547-06208	BOLT, reed valve	2		
14	09401H10401	09401H10401	09401H10401	CLAMP, 2nd air cleaner hose	3		
15	09401H13401	09401H13401	09401H13401	CLAMP, 2nd air pipe hose	5		

FIG.11

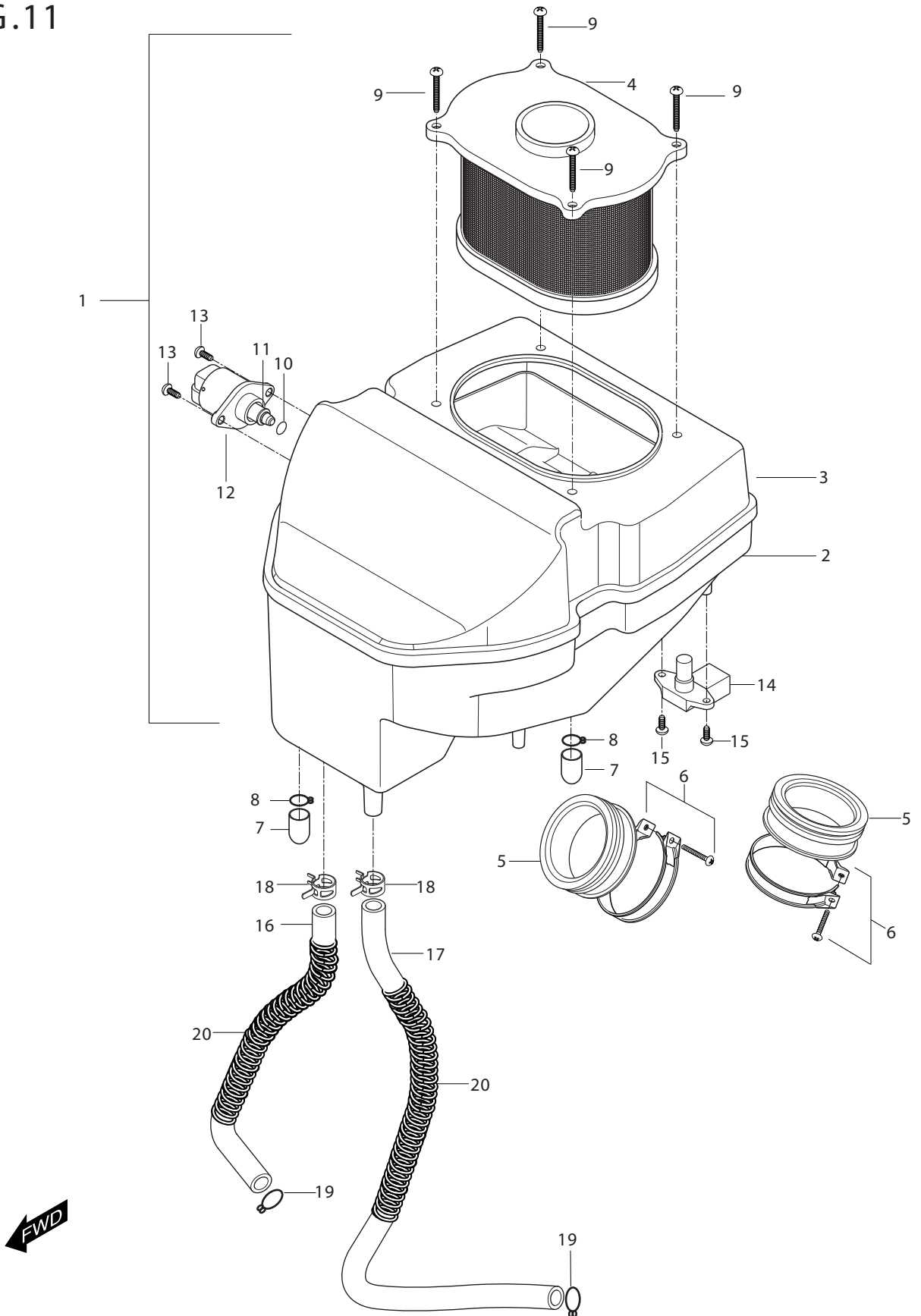


FIG 11. AIR CLEANER&CHAMBER

REF. NO.	GT250R FI - 2008 7EU01/7FO01/7GO01/7SO01	GT250RN EI - 2009 9EU01/9FO01/9GO01/9SO01/9AT 9US02	PARTS NAME	Q'TY	REMARKS	REC.Q'TY 100 UNIT (PCS)	
1	13700HR8601	13700H88601	13700H88601	CLEANER ASS'Y, air	1		5
2	13721HR8602	13721HR8602	13721HR8602	CASE, air cleaner	1	NOT SALE	
3	13740HM8101	13740HM8101	13740HM8101	CAP COMP, air cleaner	1	NOT SALE	
4	13780HR8600	13780HR8600	13780HR8600	FILTER COMP, air cleaner	1		10
5	13881HR8400	13881HR8400	13881HR8400	TUBE, outlet	2		
6	09402-56208	09402-56208	09402-56208	CLAMP, outlet tube	2		
7	13895HF4500	13895HF4500	13895HF4500	PLUG, oil drain	2		
8	09401-14301	09401-14301	09401-14301	CLIP , oil drain plug	2		
9	02142-05165	02142-05165	02142-05165	SCREW, air cleaner filter	4		
10	09280-14003	09280-14003	09280-14003	O-RING, isc No.1	1		
11	37945HR8601	37945HR8601	37945HR8601	INSERT, isc	1	NOT SALE	
12	37940HR8600	37940HR8600	37940HR8600	SOLENOID, isc	1		
13	03241-05203	03241-05203	03241-05203	SCREW, isc	2		
14	37930HP8800	37930H89300	37930H89300	SENSOR, iat	1		
15	03241-04125	03241-04125	03241-04125	SCREW, iat	2		
16	18731HR8601	18731HR8601	18731HR8601	HOSE, isc No.1	1		
17	18741HR8601	18741HR8601	18741HR8601	HOSE, isc No.2	1		
18	09401H10401	09401H10401	09401H10401	CLAMP, isc air cleaner hose	2		
19	09401-10401	09401-10401	09401-10401	CLIP, isc hose	2		
20	09440-13019	09440-13019	09440-13019	SPRING, compression	2		

FIG 12

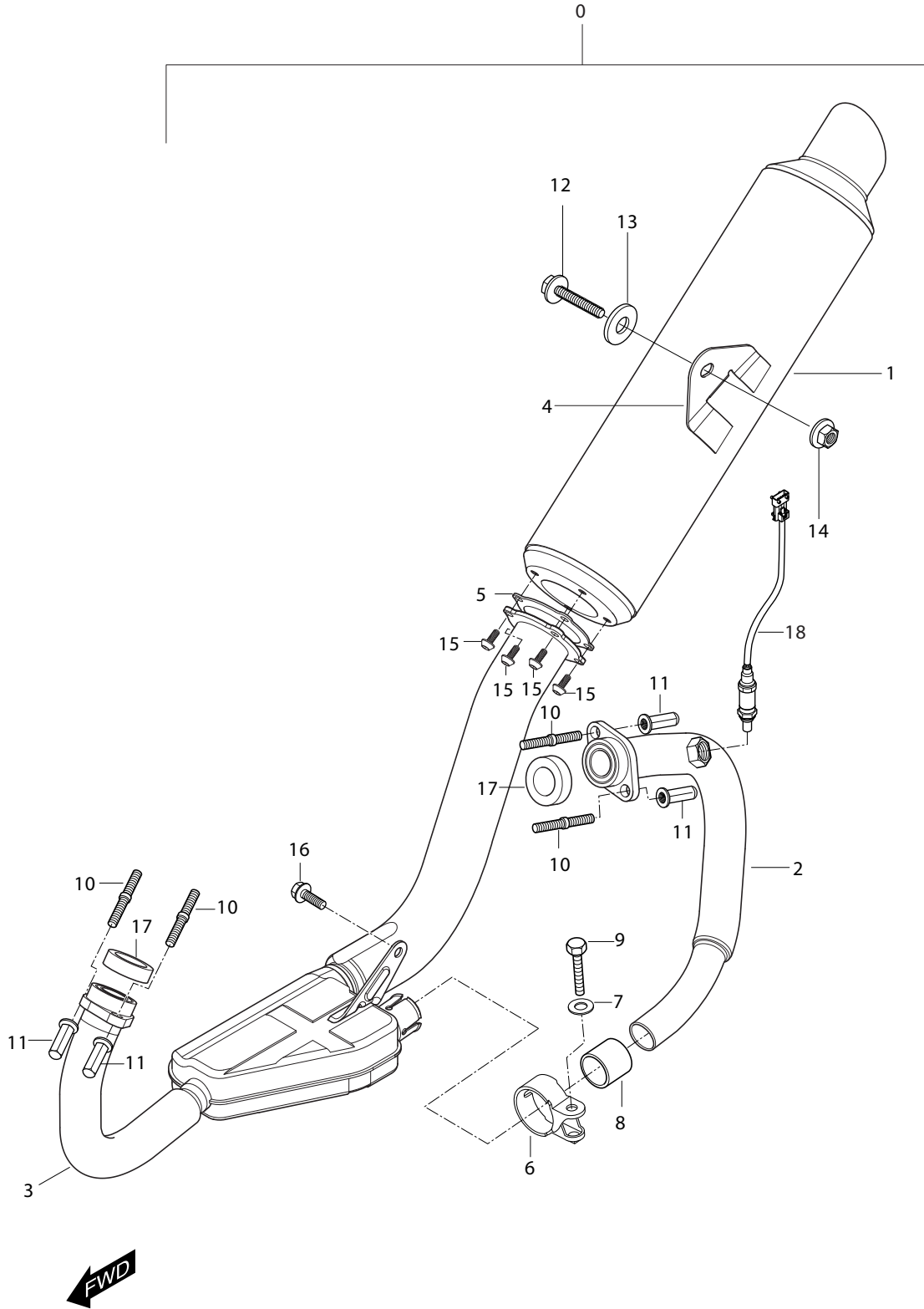


FIG 12. MUFFLER

REF. NO.	GT250R EI - 2009		PARTS NAME	QTY	REMARKS	REC.QTY	
	GT250R FI - 2008	9EU01/9FO01/9GO01/9SO01/9AT 9US02				100 UNIT	
	7EU01/7FO01/7GO01/7SO01					(PCS)	
0	14300HR8600PLH	14300HR8600PLH	14300HR8600PLH	MUFFLER, ASS'Y	1	NOT SALE	
1	14310H786500BF	14310H886000BF	14310HM8131PLA	BODY COMP, muffler front	1		5
2	14160HR8600PAM	14160HR8600PAM	14160HR8600PAM	PIPE COMP, exhaust rear	1		5
3	14150HM8105PAM	14150HM8105PAM	14150HM8105PAM	PIPE COMP, exhaust front	1		5
4	14411HM8100	14411HM8100	14411HM8100	BRACKET, muffler support	1	NOT SALE	
5	14314HM8110	14314HM8110	14314HM8110	GASKET, connector flange	1		
6	14770HG5101PAM	14770HG5101PAM	14770HG5101PAM	CONNECTOR COMP, exhaust pipe	1		5
7	09160-10001	09160-10001	09160-10001	WASHER, exhaust pipe connector	1		
8	14773HG5101	14773HG5101	14773HG5101	GASKET, connector exhaust pipe	1		5
9	01137-08358	01137-08358	01137-08358	BOLT, connector exhaust pipe	1		10
10	01421-08258	01421-08258	01421-08258	STUD BOLT, exhaust pipe	4		
11	09143H08001	09143H08001	09143H08001	NUT, exhaust pipe	4		
12	07110-10358	07110-10358	07110-10358	BOLT, muffler support	1		
13	09160-10102	09160-10102	09160-10102	WASHER, muffler support	1		
14	08316-26108	08316-26108	08316-26108	NUT, muffler support rear	1		
15	09119H06002	09119H06002	09119H06002	BOLT, connector flange	4		20
16	01137-08168	01137-08168	01137-08168	BOLT, muffler chamber bracket	1		
17	14181-46E00	14181-46E00	14181-46E00	GASKET, exhaust pipe	2		20
18	37950HP8800	37950H89300	37950H89300	SENSOR ASS'Y, oxygen	1		

FIG 13

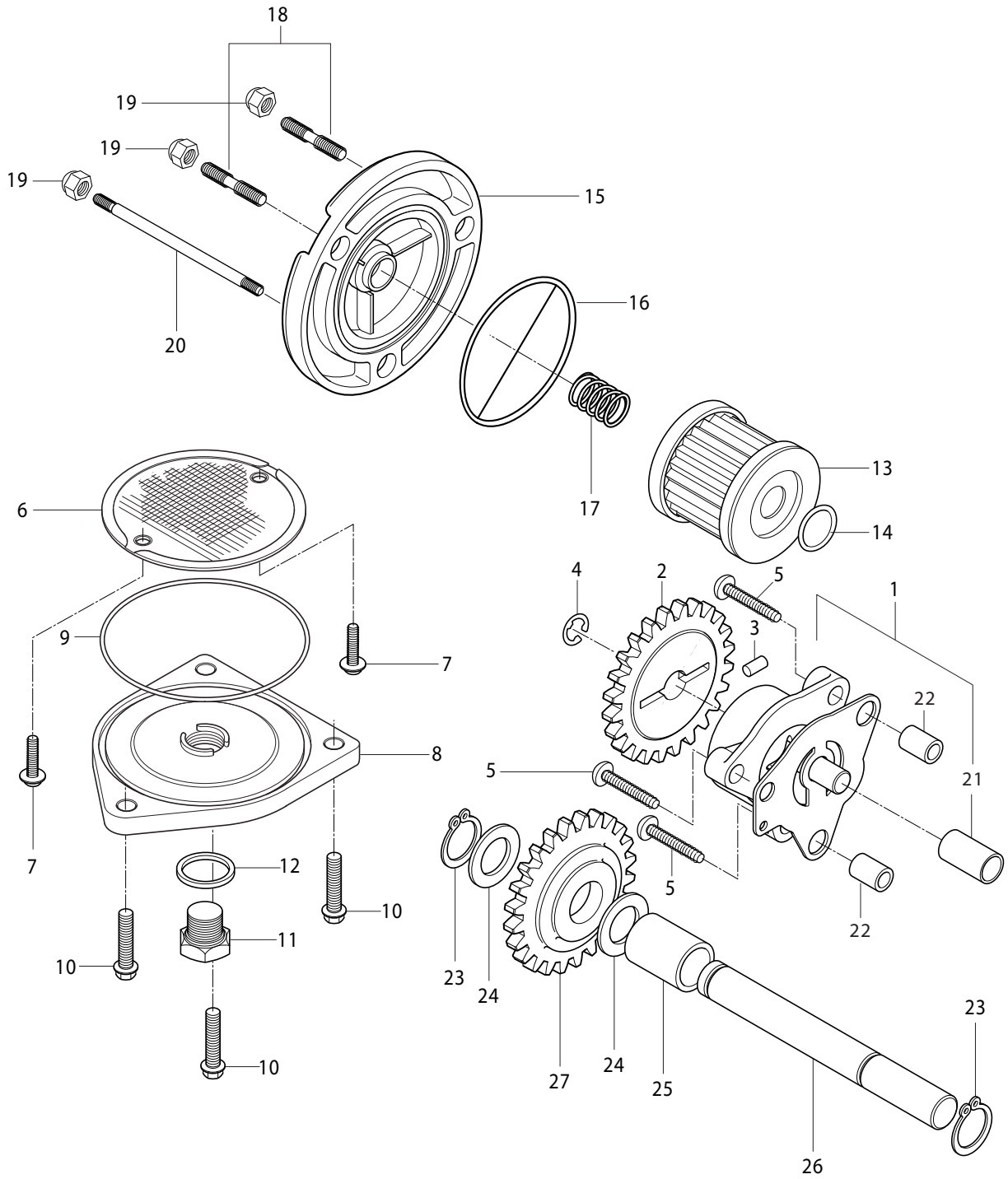


FIG 13. OIL PUMP

REF. NO.	GT250R FI - 2008 7EU01/7FO01/7GO01/7SO01	GT250RN EI - 2009 9EU01/9FO01/9GO01/9SO01/9AT 9US02	PARTS NAME	Q'TY	REMARKS	REC.Q'TY 100 UNIT (PCS)
1	16400HG5102	16400HG5102	16400HG5102	PUMP ASSY, oil	1	
2	16331HG5102	16331HG5102	16331HG5102	GEAR, oil pump driven	1	
3	09261-02001	09261-02001	09261-02001	PIN, oil pump driven gear	1	
4	08332-11069	08332-11069	08332-11069	CIRCLIP, oil pump driven gear	1	
5	02112-06258	02112-06258	02112-06258	SCREW, oil pump	3	
6	16520-05202	16520-05202	16520-05202	STRAINER COMP, engine oil	1	
7	02112-95126	02112-95126	02112-95126	SCREW, engine oil strainer	2	
8	16523-05200	16523-05200	16523-05200	CAP, oil strainer	1	5
9	09280-60005	09280-60005	09280-60005	O-RING, strainer cap	1	
10	01547-06208	01547-06208	01547-06208	BOLT, oil strainer cap	3	
11	09247H14019	09247H14019	09247H14019	PLUG, oil drain	1	10
12	09168H14003	09168H14003	09168H14003	GASKET, drain plug	1	10
13	16510H05240	16510H05240	16510H05240	FILTER COMP, engine oil	1	
14	09280-13004	09280-13004	09280-13004	O-RING, oil filter	1	20
15	16512HG510003S	16512HG5100121	16512HG5100121	CAP, oil filter	1	
16	09280-54001	09280-54001	09280-54001	O-RING, oil filter cap	1	
17	09440-18002	09440-18002	09440-18002	SPRING, oil filter cap	1	
18	01421-06128	01421-06128	01421-06128	BOLT, oil filter cap stud	2	
19	08313-11068	08313-11068	08313-11068	NUT, oil filter cap	3	30
20	01421-06658	01421-06658	01421-06658	BOLT, oil filter cap stud	1	
21	16419HG5100	16419HG5100	16419HG5100	BUSH, oil pump		
22	09206-08001	09206-08001	09206-08001	PIN, oil pump knock		
23	08331-31109	08331-31109	08331-31109	CIRCLELIP		6
24	08211-10181	08211-10181	08211-10181	WASHER		
25	09180H10022	09180H10022	09180H10022	SPACER		
26	16451HG5101	16451HG5101	16451HG5101	SHAFT, oil pump idle gear		
27	16431HG5104	16431HG5104	16431HG5104	GEAR, oil pump idle		

FIG 14

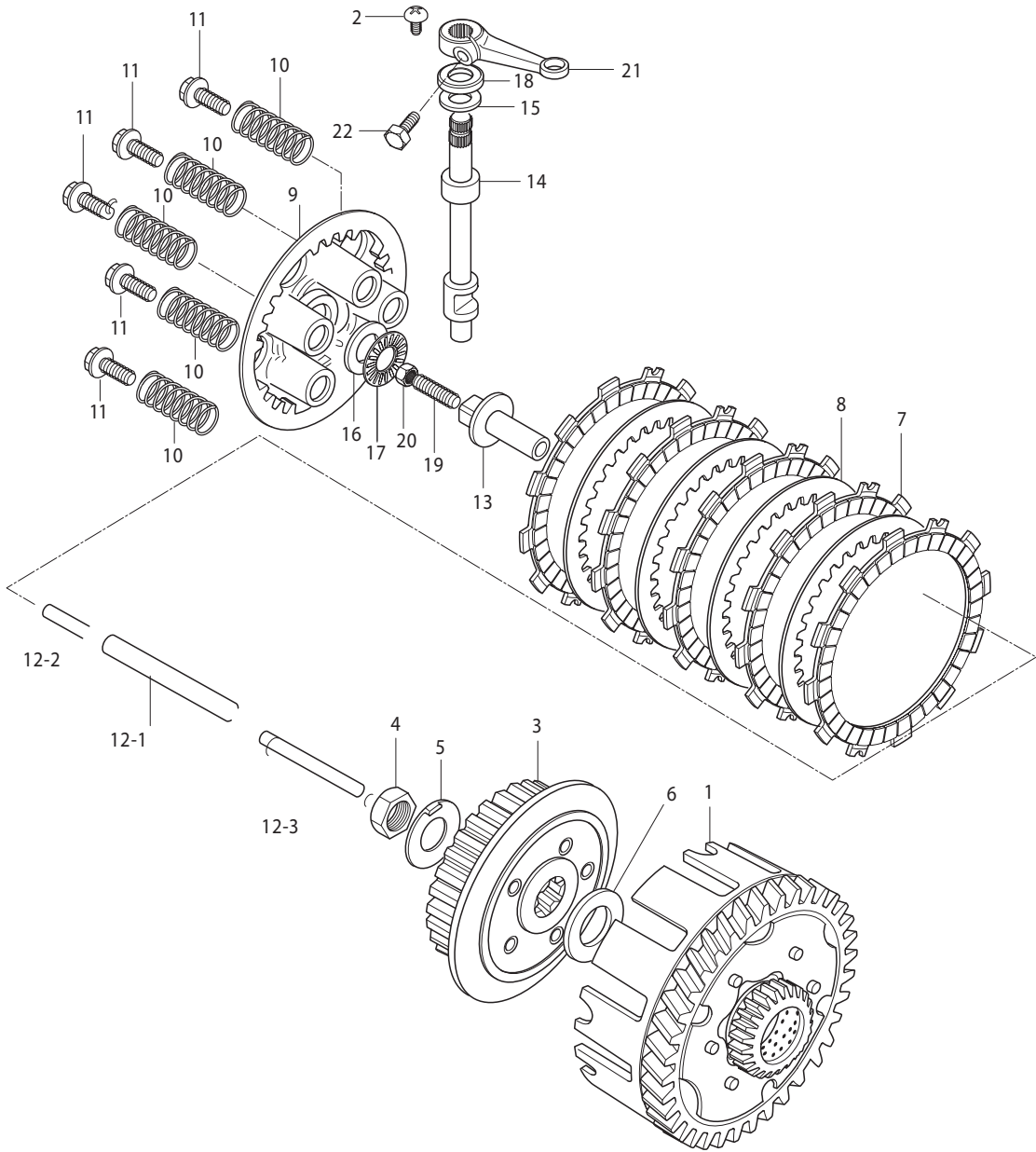


FIG 14. CLUTCH ASS`Y

REF. NO.	GT250R FI - 2008		GT250RN EI - 2009		PARTS NAME	Q`TY	REMARKS	REC.Q`TY
	7EU01/7FO01/7GO01/7SO01	9EU01/9FO01/9GO01/9SO01/9AT	9US02					100 UNIT
1	21200HJ8200HPA	21200HJ8200HPA	21200HJ8200HPA		GEAR ASS`Y, primary driven	1		10
2	02142-06108	02142-06108	02142-06108		STOPPER, clutch release camshaft oil	1		
3	21411HJ8202	21411HJ8202	21411HJ8202		HUB, clutch sleeve	1		
4	09140-16014	09140-16014	09140-16014		NUT, clutch sleeve hub	1		
5	09169H16001	09169H16001	09169H16001		WASHER, clutch sleeve hub	1		
6	09167H18001	09167H18001	09167H18001		THRUST WASHER, clutch sleeve hub	1		
7	21441HJ8201	21441HJ8201	21441HJ8201		PLATE, clutch drive	6		
8	21451HJ8201	21451HJ8201	21451HJ8201		PLATE, clutch driven	5		
9	21462HJ8201	21462HJ8201	21462HJ8201		DISK, clutch pressure	1		
10	09440H16003	09440H16003	09440H16003		SPRING, clutch	5		
11	09116H05001	09116H05001	09116H05001		BOLT, clutch spring	5		
12-1	23110HJ8202	23110HJ8202	23110HJ8202		ROD COMP, clutch push	1		
12-2	23115HN9100	23115HN9100	23115HN9100		ROD COMP, clutch push	1		
12-3	23113HJ8200	23113HJ8200	23113HJ8200		ROD COMP, clutch push	1		
13	23121-38201	23121-38201	23121-38201		PIECE, clutch push	1		
14	23122HG5100	23122HG5100	23122HG5100		CAM SHAFT, clutch release	1		
15	08211-10201	08211-10201	08211-10201		THRUST WASHER, clutch release camshaft	1		
16	09160-15015	09160-15015	09160-15015		THRUST WASHER, clutch release	1		
17	09263H15001	09263H15001	09263H15001		THRUST BEARING, clutch release	1		
18	09282-10007	09282-10007	09282-10007		OIL SEAL, clutch release camshaft(10x20x6)	1		
19	09134-06010	09134-06010	09134-06010		SCREW, clutch release adjuster	1		
20	08310-22068	08310-22068	08310-22068		NUT, clutch release adjust	1		
21	23271HJ8250	23271HJ8250	23271HJ8250		ARM, clutch release	1		
22	01107-06168	01107-06168	01107-06168		BOLT, clutch release arm	1		

FIG.15

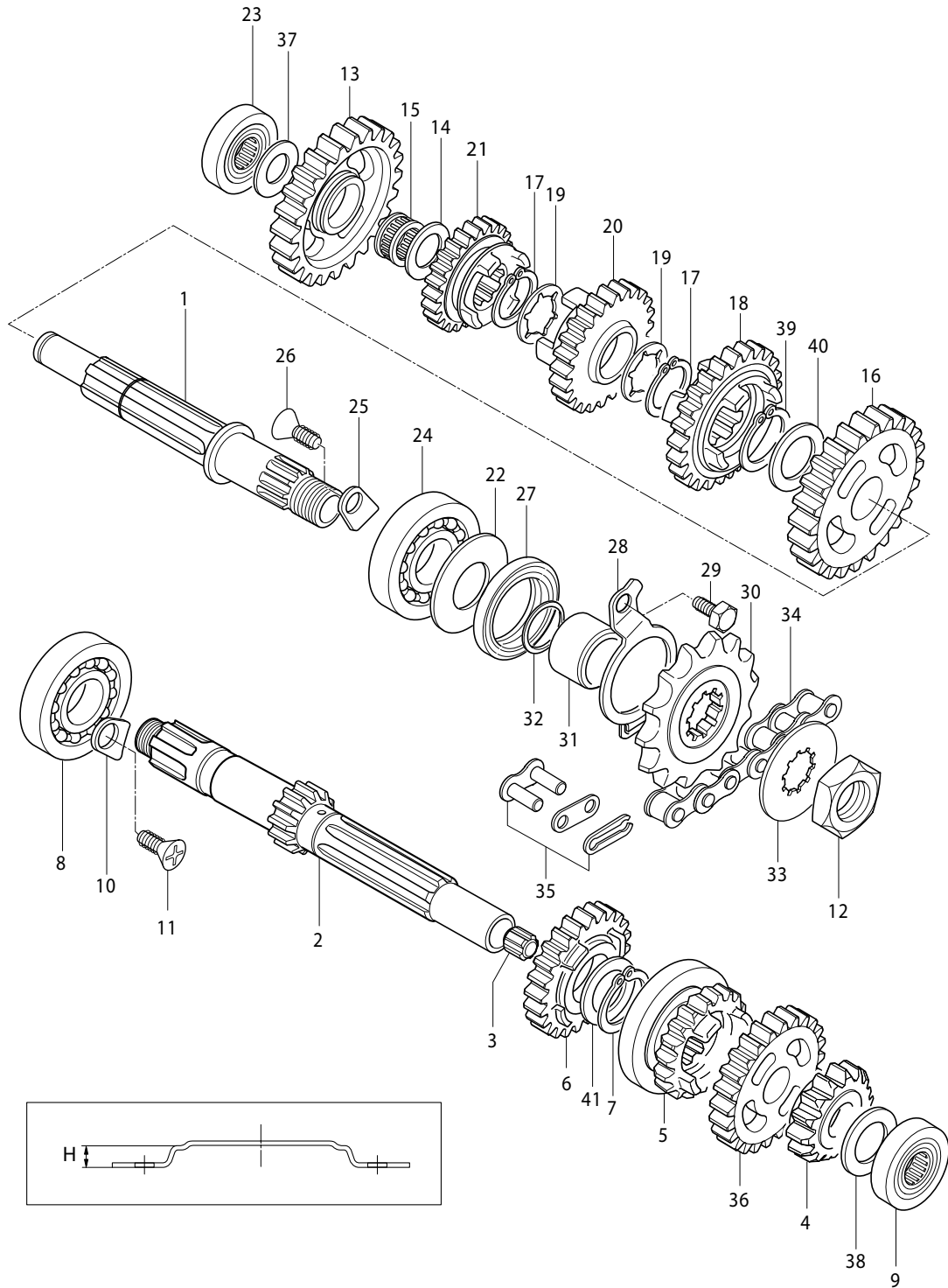


FIG 15. TRANSMISSION

REF. NO.	GT250R FI - 2008		GT250RN EI - 2009		PARTS NAME	Q'TY	REMARKS	REC.Q'TY
	7EU01/7FO01/7GO01/7SO01	9EU01/9FO01/9GO01/9SO01/9AT	9US02					100 UNIT
								(PCS)
0	24200SJ8200HPA	24200SJ8200HPA	24200SJ8200HPA	24200SJ8200HPA	MISSION GEAR SET	1		5
1	24130HJ8200HPA	24130HJ8200HPA	24130HJ8200HPA	24130HJ8200HPA	SHAFT COMP, drive	1		5
2	24121HJ8200HPA	24121HJ8200HPA	24121HJ8200HPA	24121HJ8200HPA	SHAFT, counter	1		5
3	24125-38201	24125-38201	24125-38201	24125-38201	BUSH, counter shaft	1		
4	24221HJ8201	24221HJ8201	24221HJ8201	24221HJ8201	GEAR, 2nd drive	1		3
5	24241HJ8200	24241HJ8200	24241HJ8200	24241HJ8200	GEAR, 4th drive	1		
6	24251HJ8202	24251HJ8202	24251HJ8202	24251HJ8202	GEAR, 5th drive	1		3
7	09380H20001	09380H20001	09380H20001	09380H20001	CIRCLIP, 5th drive gear	1		
8	08110-62050	08110-62050	08110-62050	08110-62050	BEARING,counter shaft R(#6205)	1		3
9	09263H17001	09263H17001	09263H17001	09263H17001	BEARING,counter shaft L	1		40
10	24741HG5100	24741HG5100	24741HG5100	24741HG5100	RETAINER, counter shaft bearing	1		5
11	02122-06128	02122-06128	02122-06128	02122-06128	SCREW, counter shaft bearing rtng	1		5
12	09140-16017	09140-16017	09140-16017	09140-16017	NUT, engine sprocket	1		10
13	24311HJ8200	24311HJ8200	24311HJ8200	24311HJ8200	GEAR, 1st driven	1		60
14	08211-17261	08211-17261	08211-17261	08211-17261	THRUST WASHER, 1st driven gear L	1		5
15	09263H17008	09263H17008	09263H17008	09263H17008	BEARING,1st driven gear	1		3
16	24320HJ8200	24320HJ8200	24320HJ8200	24320HJ8200	GEAR COMP, 2nd driven	1		5
17	09380H20001	09380H20001	09380H20001	09380H20001	CIRCLIP, 4th driven gear	2		5
18	24331HJ8200	24331HJ8200	24331HJ8200	24331HJ8200	GEAR, 3rd driven	1		3
19	09167H18002	09167H18002	09167H18002	09167H18002	THRUST WASHER, 4th driven gear	2		
20	24341HJ8200	24341HJ8200	24341HJ8200	24341HJ8200	GEAR, 4th driven	1		3
21	24351HJ8202	24351HJ8202	24351HJ8202	24351HJ8202	GEAR, 5th driven	1		8
22	24359-05200	24359-05200	24359-05200	24359-05200	WASHER, oil sealing	1		3
23	09160H20011	09160H20011	09160H20011	09160H20011	BEARING, drive shaft R	1		3
24	09262H22016	09262H22016	09262H22016	09262H22016	BEARING, drive shaft L	1		5
25	24741HG5100	24741HG5100	24741HG5100	24741HG5100	RETAINER, drive shaft bearing	1		5

FIG.15

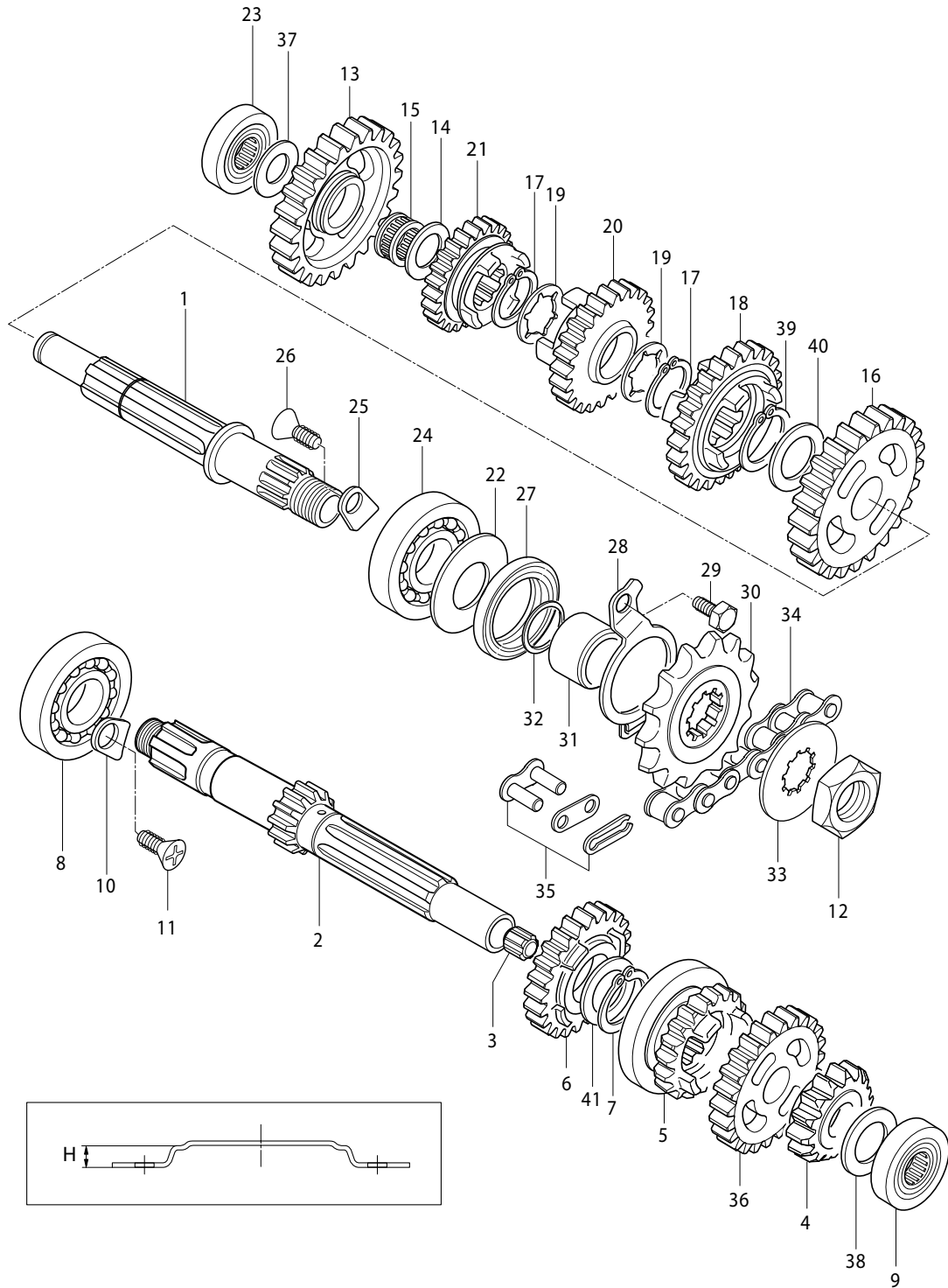


FIG 15. TRANSMISSION

REF. NO.	GT250R FI - 2008 7EU01/7FO01/7GO01/7SO01	GT250RN EI - 2009 9EU01/9FO01/9GO01/9SO01/9AT 9US02	PARTS NAME	QTY	REMARKS	REQ.QTY 100 UNIT (PCS)
26	02122-06128	02122-06128	02122-06128	SCREW, drive shaft bearing retainer		5
27	09283-27010	09283-27010	09283-27010	OIL SEAL, drive shaft		5
28	24751HG5102	24751HG5102	24751HG5102	RETAINER, drive shaft oil seal		
29	01107-06106	01107-06106	01107-06106	BOLT, drive shaft oil seal retainer		
30	27510HJ8201	27510HJ8201	27510HJ8201	SPROCKET COMP, engine 14T(#520)		
31	27531HJ8201	27531HJ8201	27531HJ8201	SPACER,engine sprocket		5
32	09280-19005	09280-19005	09280-19005	O-RING, engine sprocket		5
33	09167-20012	09167-20012	09167-20012	LOCK WASHER, engine sprocket		
34	27600HM8100	27600HM8100	27600HM8100	CHAIN ASS'Y, drive(#520)		3
35	27620H93B00	27620H93B00	27620H93B00	.JOINT, chain	NOT SALE	
36	24230HJ8200	24230HJ8200	24230HJ8200	GEAR COMP, 3rd drive		
37	08211-17301	08211-17301	08211-17301	WASHER, drive shaft thrust		
38	08211-17301	08211-17301	08211-17301	WASHER, counter shaft thrust		
39	09380H20001	09380H20001	09380H20001	CILCLIP, 2nd driven gear		10
40	08211-22281	08211-22281	08211-22281	WASHER, 2nd driven gear		
41	08211-22281	08211-22281	08211-22281	WASHER, 5th drive gear thrust		3

FIG.16

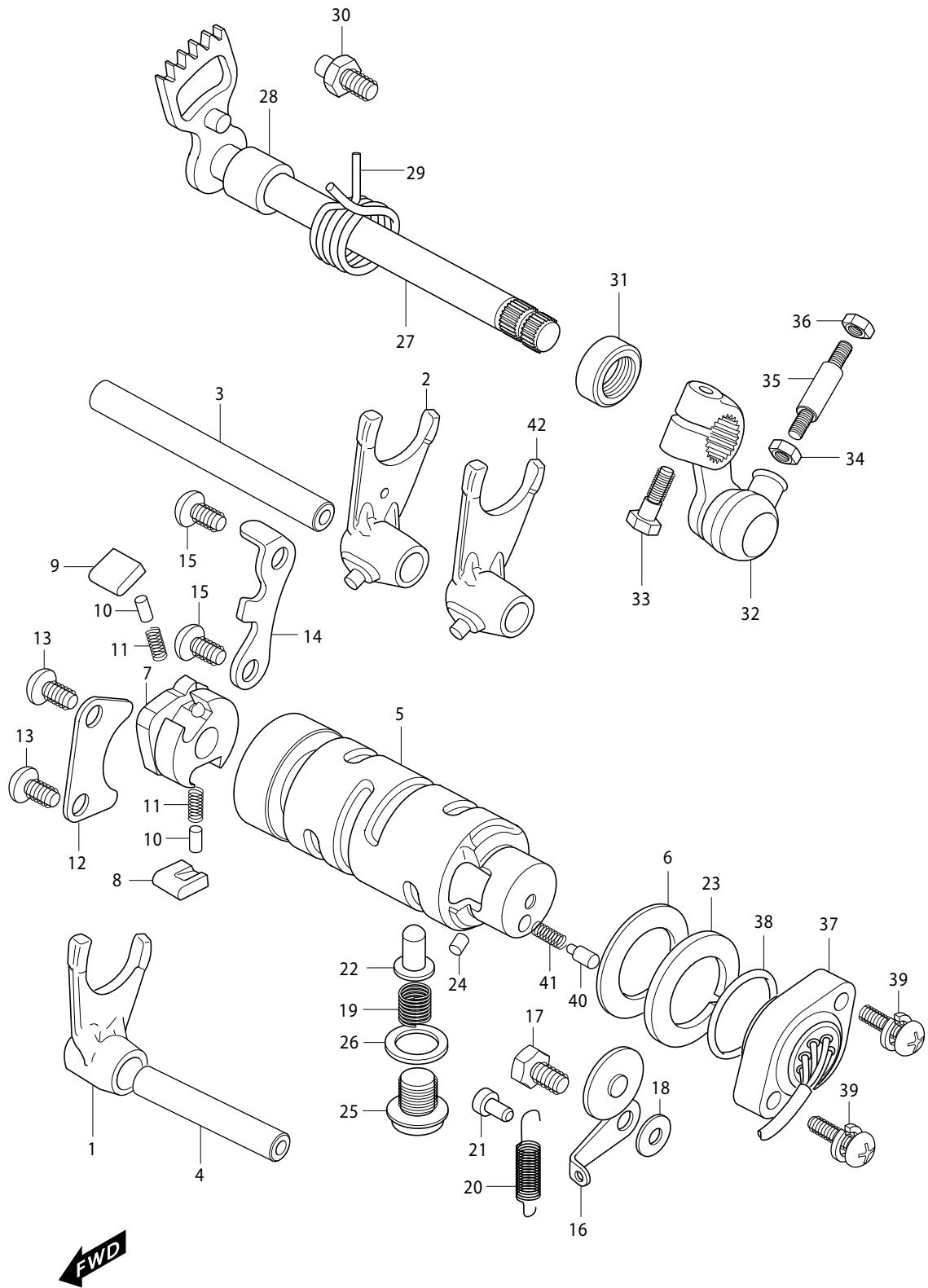


FIG 16. GEAR SHIFTING

REF. NO.	GT250R FI - 2008		GT250RN EI - 2009		PARTS NAME	Q'TY	REMARKS	REC.Q'TY
	7EU01/7FO01/7GO01/7SO01	9EU01/9FO01/9GO01/9SO01/9AT	9US02					100 UNIT
1	25211HJ8200	25211HJ8200	25211HJ8200	25211HJ8200	FORK, gear shift No.1	1		6
2	25231HJ8200	25231HJ8200	25231HJ8200	25231HJ8200	FORK, gear shift No.3	1		3
3	25411-05201	25411-05201	25411-05201	25411-05201	SHAFT, gear shift fork No.1	1		3
4	25421-35403	25421-35403	25421-35403	25421-35403	SHAFT, gear shift fork No.2	1		3
5	25310HJ8200	25310HJ8200	25310HJ8200	25310HJ8200	CAM COMP, gear shift	1		3
6	08211-25401	08211-25401	08211-25401	08211-25401	WASHER, gear shift cam	1		
7	25322-31301	25322-31301	25322-31301	25322-31301	GEAR, gear shift cam driven	1		
8	25323-34201	25323-34201	25323-34201	25323-34201	PAWL, gear shift No.1	1		
9	25324-34201	25324-34201	25324-34201	25324-34201	PAWL, gear shift No.2	1		
10	09261-05003	09261-05003	09261-05003	09261-05003	PIN, gear shift pawl click	2		
11	09440-04003	09440-04003	09440-04003	09440-04003	SPRING, gear shift pawl return	2		
12	25331-30000	25331-30000	25331-30000	25331-30000	LIFTER, gear shift pawl	1		
13	02122-06128	02122-06128	02122-06128	02122-06128	SCREW, gear shift pawl	2		
14	25341HG5100	25341HG5100	25341HG5100	25341HG5100	GUIDE, gear shift cam	1		
15	02122-06128	02122-06128	02122-06128	02122-06128	SCREW, gear shift pawl lifter	2		
16	25350HG5100	25350HG5100	25350HG5100	25350HG5100	STOPPER COMP, gear shift cam	1		
17	09111-06019	09111-06019	09111-06019	09111-06019	BOLT, gear shift cam stopper	1		
18	08211-06141	08211-06141	08211-06141	08211-06141	WASHER, gear shift cam stopper	1		
19	09440H11020	09440H11020	09440H11020	09440H11020	SPRING, gear shift cam stopper	1		
20	09443H08044	09443H08044	09443H08044	09443H08044	SPRING, gear shift cam stopper arm	1		
21	09223-04001	09223-04001	09223-04001	09223-04001	HOOK, gear shift shaft spring	1		
22	25351-30010	25351-30010	25351-30010	25351-30010	STOPPER, gear shift cam neutral	1		
23	25381-45400	25381-45400	25381-45400	25381-45400	PLATE, gear shift cam stopper	1		
24	04221-04069	04221-04069	04221-04069	04221-04069	PIN, gear shift cam stopper plate	1		
25	09247-14026	09247-14026	09247-14026	09247-14026	PLUG, gear shift cam stopper	1		
26	09168H14003	09168H14003	09168H14003	09168H14003	WASHER, gear shift cam stopper plug	1		
27	25510HG5101	25510HG5101	25510HG5101	25510HG5101	SHAFT COMP, gear shift	1		5

FIG.16

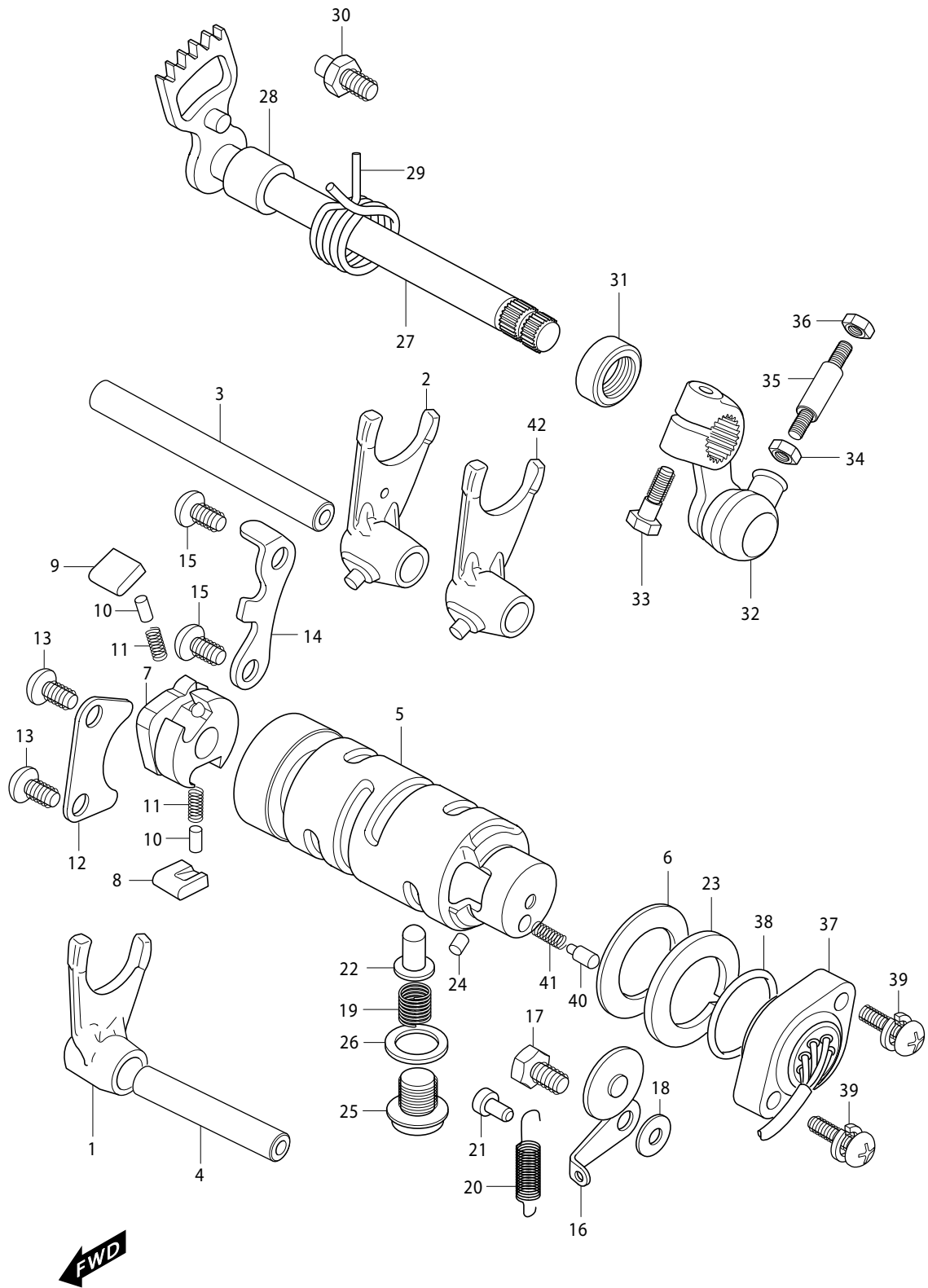
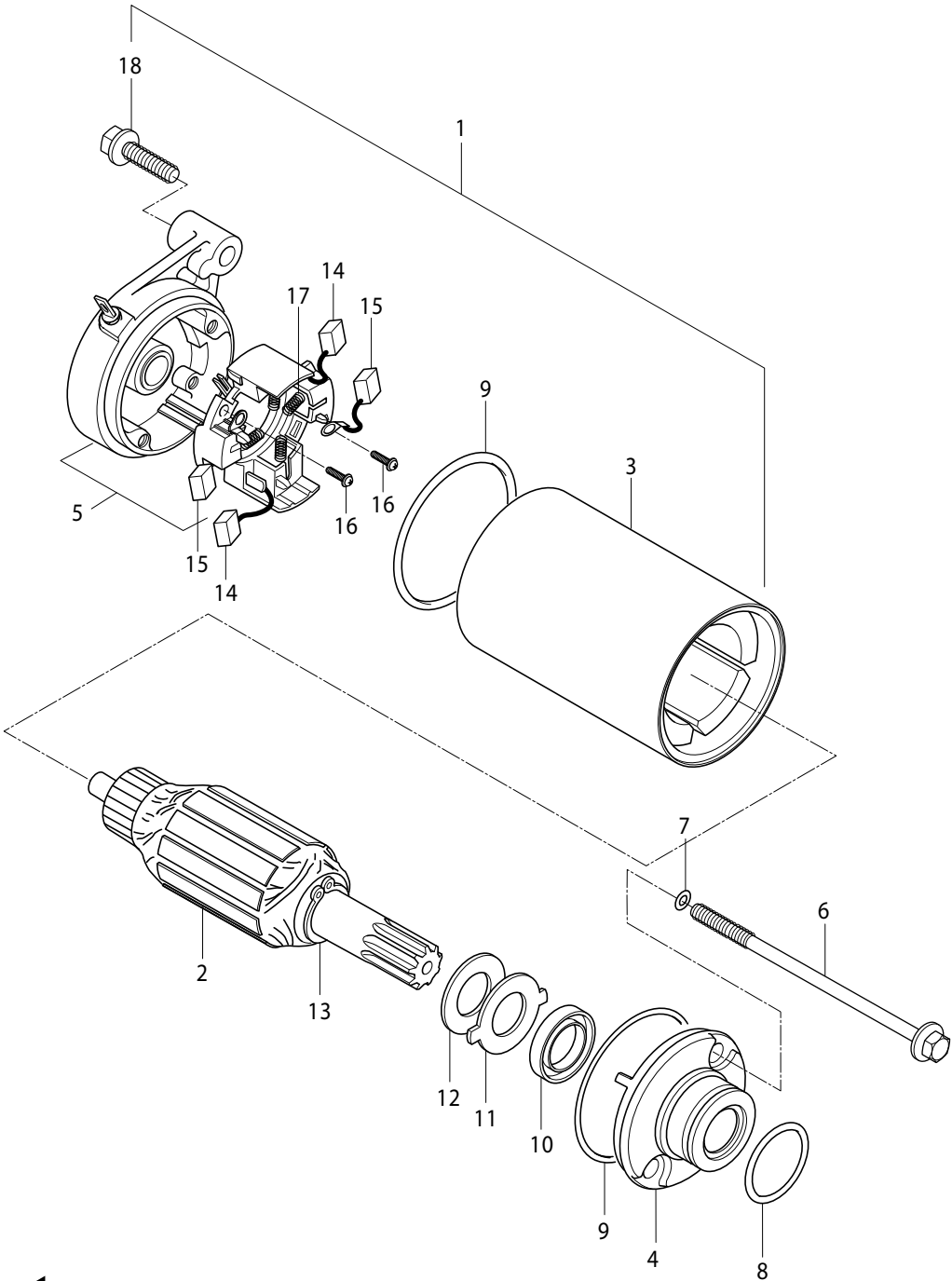


FIG 16. GEAR SHIFTING

REF. NO.	GT250R FI - 2008	GT250RN EI - 2009		PARTS NAME	Q'TY	REMARKS	REC.Q'TY
	7EU01/7FO01/7GO01/7SO01	9EU01/9FO01/9GO01/9SO01/9AT	9US02				100 UNIT
28	09180-12068	09180-12068	09180-12068	SPACER, gear shift shaft	1		
29	09444-26013	09444-26013	09444-26013	SPRING, gear shift shaft return	1		
30	25671-01000	25671-01000	25671-01000	STOPPER, gear shift arm	1		
31	09285-12002	09285-12002	09285-12002	OIL SEAL,gear shift shaft	1		
32	25520-32C00	25520-32C00	25520-32C00	ARM COMP, gear shift link	1		
33	01107-06208	01107-06208	01107-06208	BOLT, gear shift link arm	1		
34	08310-11068	08310-11068	08310-11068	NUT, gear shift link rod R	1		
35	25525HR8320	25525HR8320	25525HR8320	ROD, gear shift link	1		
36	09140-06011	09140-06011	09140-06011	NUT, gear shift link rod L	1		
37	37720HR8600	37720HR8600	37720HR8600	SENSOR ASS'Y, gps	1		
38	09280-26003	09280-26003	09280-26003	O-RING, gear shift switch	1		
39	07110-05205	07110-05205	07110-05205	BOLT, gear position sensor	2		
40	09209-05011	09209-05011	09209-05011	CONTACT, gear shift switch	1		
41	09440-04010	09440-04010	09440-04010	SPRING, gear shift switch contact	1		
42	25221HJ8200	25221HJ8200	25221HJ8200	FORK, gear shift No.2	1		

FIG.17



FWD

FIG 17. STARTING MOTOR

REF. NO.	GT250R FI - 2008 7EU01/7FO01/7GO01/7SO01	GT250RN EI - 2009 9EU01/9FO01/9GO01/9SO01/9AT 9US02	PARTS NAME	QTY	REMARKS	REC.QTY 100 UNIT (PCS)	
1	31100HG5100	31100HG5100	31100HG5100	MOTOR ASSY, starting	1		5
2	31310-11D10	31310-11D10	31310-11D10	.ARMATURE ASSY, starter	1	NOT SALE	
3	31110HD6300	31110HD6300	31110HD6300	.YOKE ASSY, starter	1	NOT SALE	
4	31150-42A01	31150-42A01	31150-42A01	.HOUSING ASSY, starter	1	NOT SALE	
5	31175HG5100	31175HG5100	31175HG5100	.FRAME ASSY, commutator	1	NOT SALE	
6	31281-32C10	31281-32C10	31281-32C10	.BOLT, through	2	NOT SALE	
7	31156-38300	31156-38300	31156-38300	.O-RING	2	NOT SALE	
8	09280-24003	09280-24003	09280-24003	.O-RING	1	NOT SALE	
9	31264-35C10	31264-35C10	31264-35C10	.O-RING	2	NOT SALE	
10	31153-49210	31153-49210	31153-49210	.SEAL, oil	1	NOT SALE	
11	31361-32C00	31361-32C00	31361-32C00	.PLATE, lock	1	NOT SALE	
12	31361-38300	31361-38300	31361-38300	.WASHER, plate lock	1	NOT SALE	
13	31361-10200	31361-10200	31361-10200	.RING, shaft snap	1	NOT SALE	
14	31132-32C10	31132-32C10	31132-32C10	.BRUSH SUB-ASSY, starter	2	NOT SALE	
15	31131-32C20	31131-32C20	31131-32C20	.BRUSH, starter	2	NOT SALE	
16	31114-32C10	31114-32C10	31114-32C10	.SCREW	2	NOT SALE	
17	31135-32C10	31135-32C10	31135-32C10	.SPRING, compression coil	4	NOT SALE	
18	01547-06308	01547-06308	01547-06308	BOLT, starting motor	2		20

FIG 18

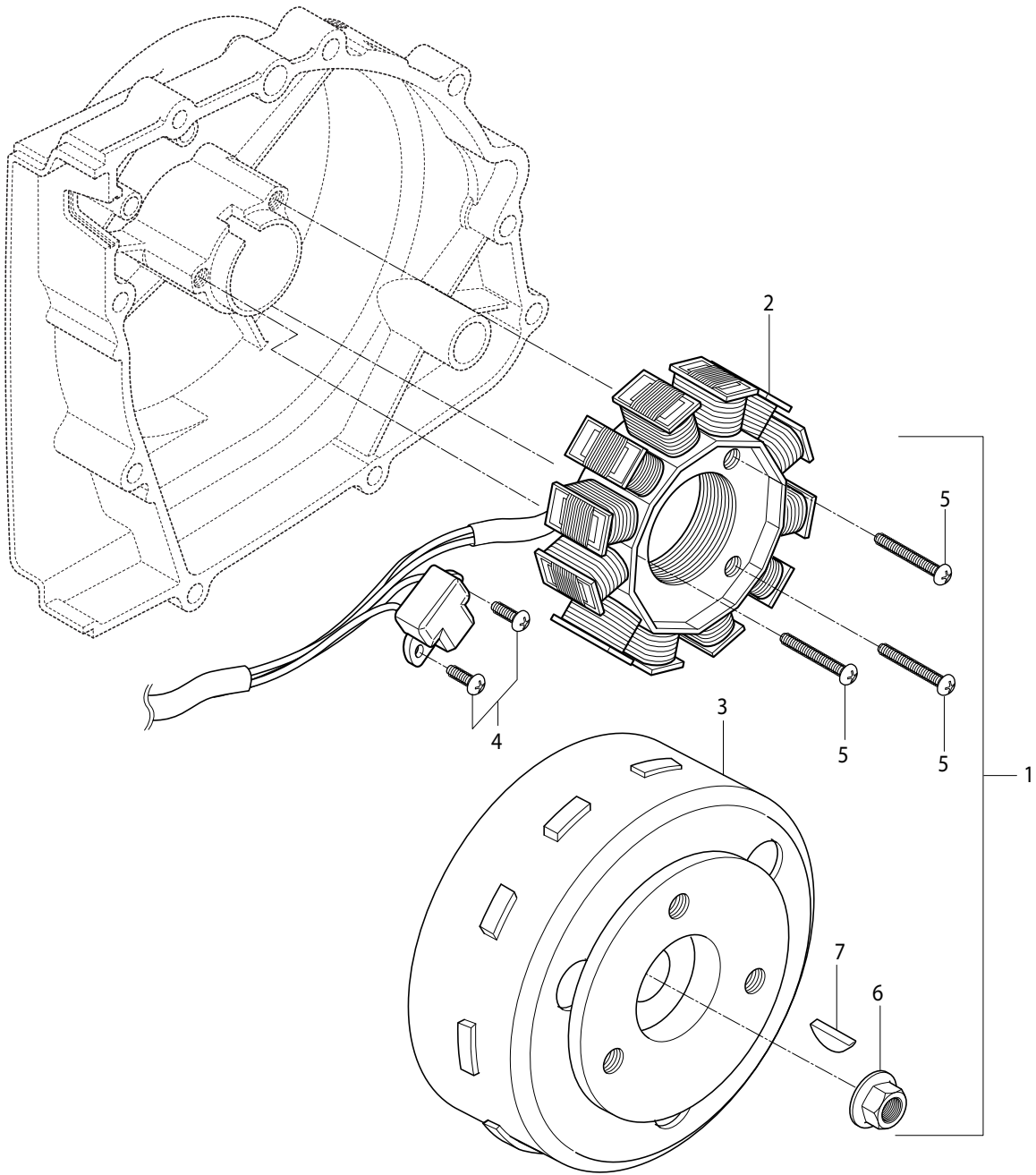


FIG 18. MAGNETO ASS`Y

REF. NO.	GT250R FI - 2008 7EU01/7FO01/7GO01/7SO01	GT250RN EI - 2009 9EU01/9FO01/9GO01/9SO01/9AT 9US02	PARTS NAME	Q`TY	REMARKS	REC.Q`TY 100 UNIT (PCS)
1	32100HR8600	32100H98600	32100H98600	MAGNETO ASS`Y		5
2	32101HR8600			STATOR ASS`Y		5
3	32102HR8600			ROTOR, fly wheel		5
4	02112-05168	02112-05168	02112-05168	SCREW, pick-up coil(M5X16)		2
5	02112-05258	02112-05258	02112-05258	SCREW, magneto stato(M5X25)r		3
6	08316-26128	08316-26128	08316-26128	NUT, magneto fly wheel(M12)		1
7	08341-31049	08341-31049	08341-31049	KEY, magneto		1

FIG 19

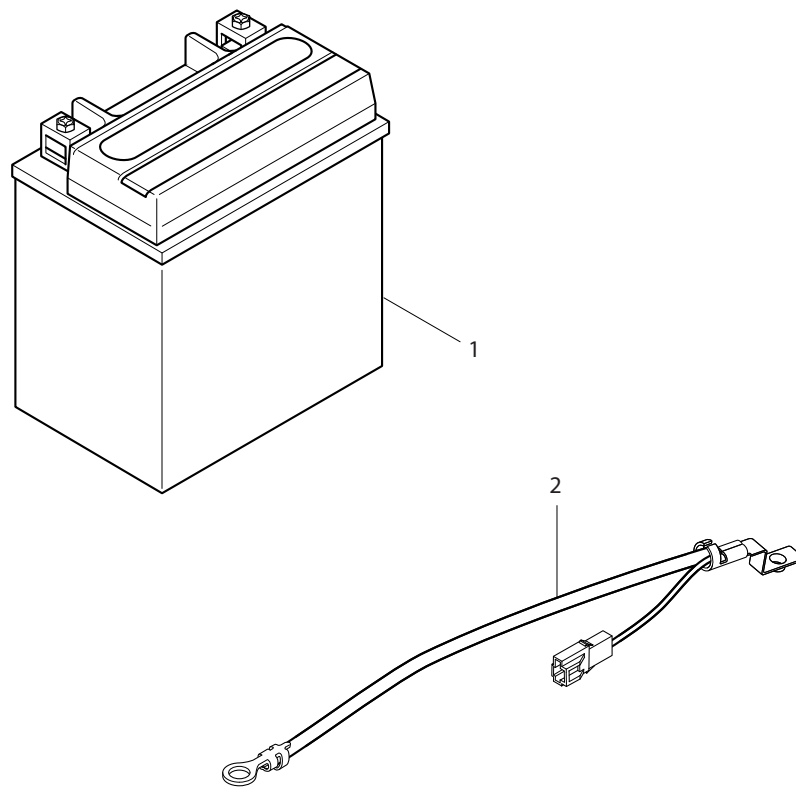
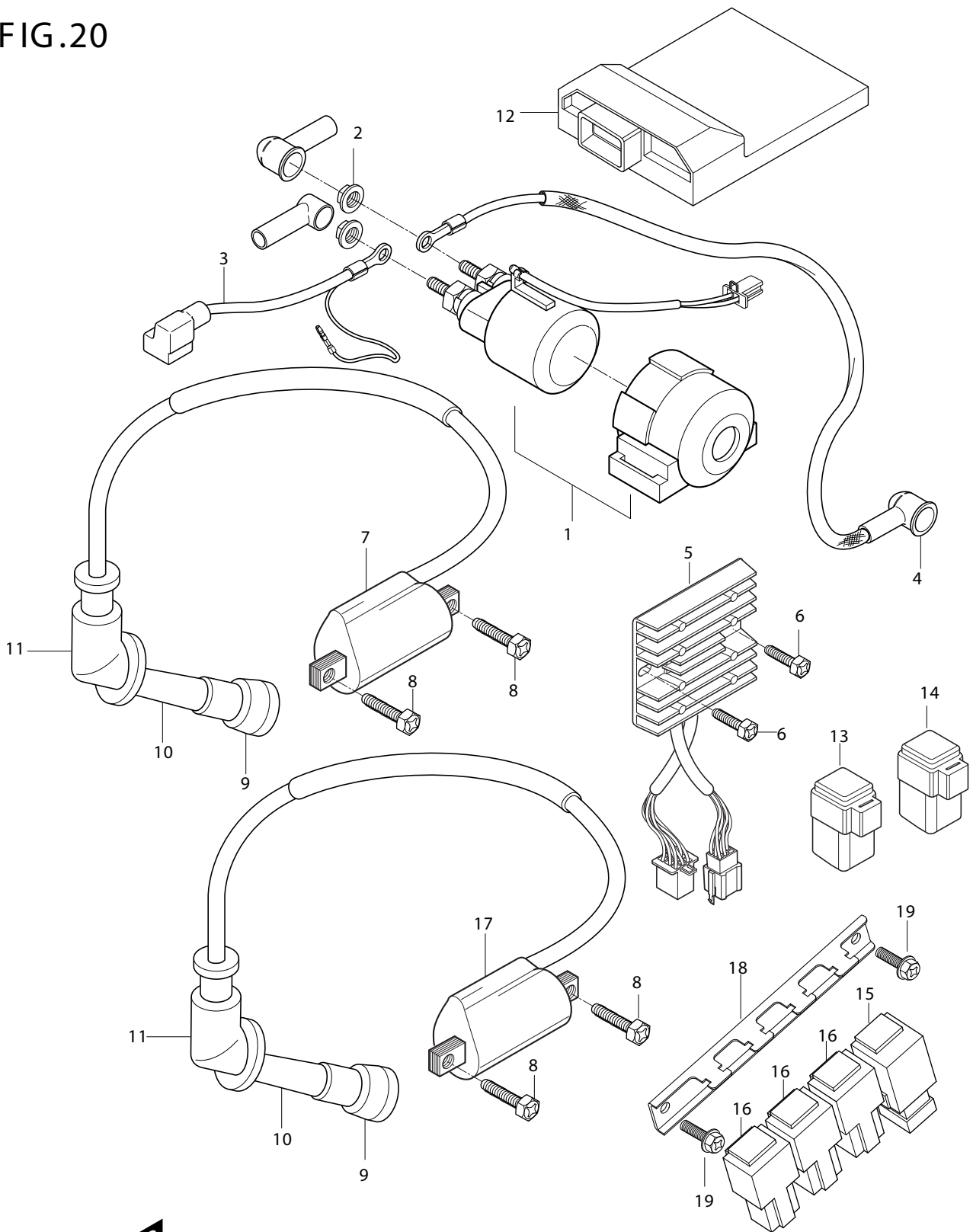


FIG 19. BATTERY

REF. NO.	GT250R FI - 2008 7EU01/7FO01/7GO01/7SO01	GT250RN EI - 2009 9EU01/9FO01/9GO01/9SO01/9AT 9US02	PARTS NAME	QTY	REMARKS	REQTY 100 UNIT (PCS)
1	33610HM8100	33610HM8100	33610HM8100		BATTERY ASS'Y(12V)	
2	33860HM8101	33860HM8101	33860HM8101		LEAD WIRE, battery minus	

FIG.20

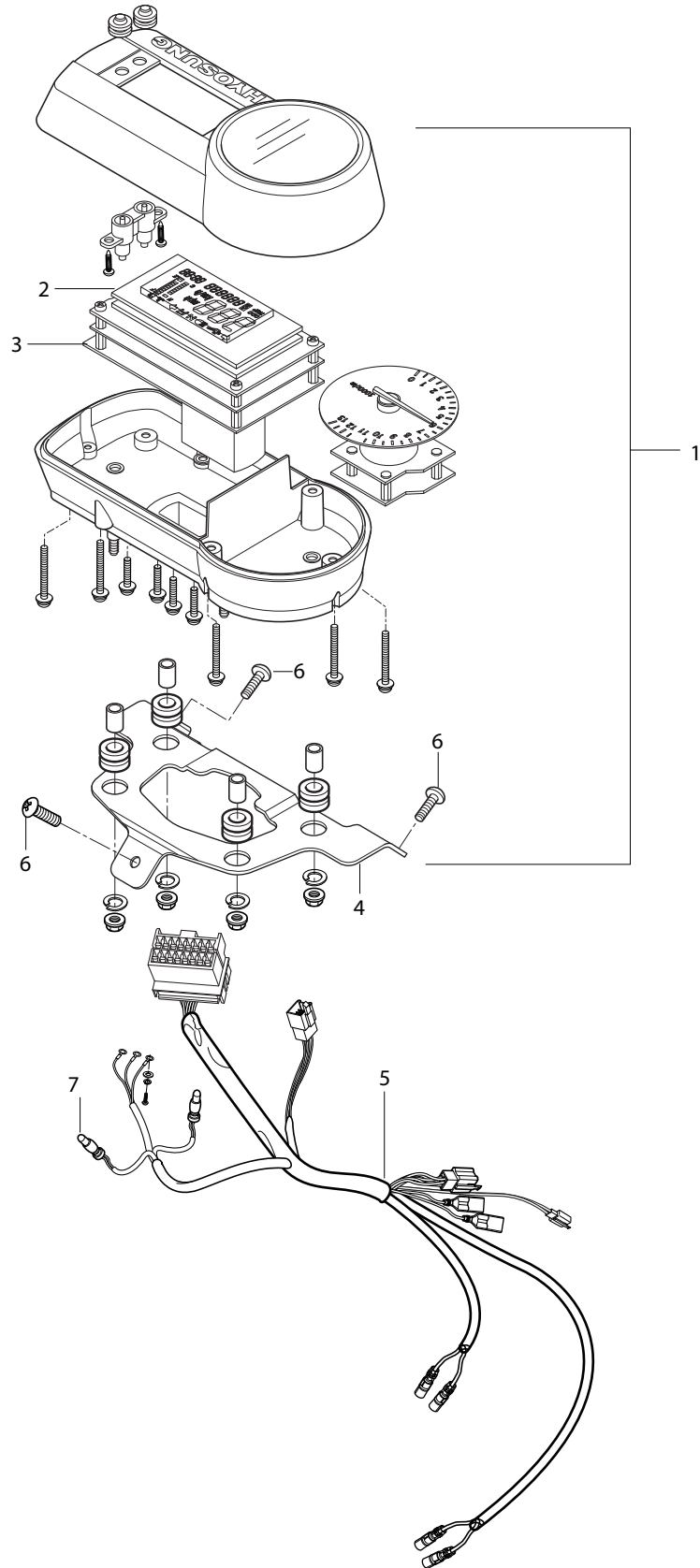


FWD

FIG 20. ELECTRICAL

REF. NO.	GT250R FI - 2008 7EU01/7FO01/7GO01/7SO01	GT250RN EI - 2009 9EU01/9FO01/9GO01/9SO01/9AT 9US02	PARTS NAME	QTY	REMARKS	REC.QTY 100 UNIT (PCS)	
1	31800HG5100	31800HG5100	31800HG5100	RELAY ASS'Y, starting motor	1		10
2	08316-26066	08316-26066	08316-26066	NUT, starter motor relay terminal	2		
3	33840HM8101	33840HM8101	33840HM8101	LEAD WIRE, battery plus	1		
4	33850HM8100	33850H98600	33850H98600	LEAD WIRE, starter motor	1		
5	32800HN9101	32800HN9110	32800HN9110	RECTIFIER regulator ass'y	1		10
6	01517-06166	01517-06166	01517-06166	BOLT, rectifier	2		
7	33410HP8810	33410HP9310	33410HP9310	COIL ASS'Y, ignition front	2		10
8	09128-06035	09128-06035	09128-06035	BOLT, ignition coil	4		
9	33541-23E01	33541-23E01	33541-23E01	SEAL, spark plug	2	NOT SALE	
10	33510-05C01	33510-05C01	33510-05C01	CAP, spark plug	2	including No.9+No.11	10
11	33542-24D00	33542-24D00	33542-24D00	SEAL, high tension cord	2	NOT SALE	
12	32900HR8600	32900H88600	32900H88600	ENGINE CONTROL UNIT	1		10
13	36740HN9100	36740HN9100	36740HN9100	BOX ASS'Y, fuse(30A)	1		
14	36740-35C00	36740-35C00	36740-35C00	BOX ASS'Y, fuse(15A)	1		
15	38610HR9700	38610HR9700	38610HR9700	RELAY ASS'Y, turnsignal	1		
16	38740HP7600	38740HP7600	38740HP7600	RELAY ASS'Y, 12V 30A	3		
17	33430HN9110	33430HP9310	33430HP9310	COIL ASS'Y, ignition rear	1		
18	38742HP7600	38742HP7600	38742HP7600	BRACKET, relay	1		
19	01517-06166	01517-06166	01517-06166	BOLT, relay brkt	2		

FIG 21



FWD

FIG 21. SPEEDOMETER ASS'Y

REF. NO.	GT250R FI - 2008 7EU01/7FO01/7GO01/7SO01	GT250RN EI - 2009 9EU01/9FO01/9GO01/9SO01/9AT 9US02	PARTS NAME	Q`TY	REMARKS	REC.Q`TY 100 UNIT (PCS)
1	34100HR8600		SPEEDOMETER ASS'Y(VFD TYPE)	1		5
	34100HR8630	34100H98600	SPEEDOMETER ASS'Y(LCD TYPE)			
2	34500HR8600	34500HR8600	DISPLAY ASS'Y, speedometer	1	"NOT SALE"	
3	34600HR8600	34600HR8600	PCB ASS'Y, speedometer	1	"NOT SALE"	
4	34950HP9200	34950HP9200	BRACKET,speedometer	1	"NOT SALE"	
5	34170HR8600	34170HR8600	WIRING ASS'Y, speedometer	1	"NOT SALE"	
6	02112-95158	02112-95158	SCREW, speedometer bracket	3	"NOT SALE"	
7	09471-12072	09471-12072	BULB(12V 1.7W T6.5)	2		

FIG.22

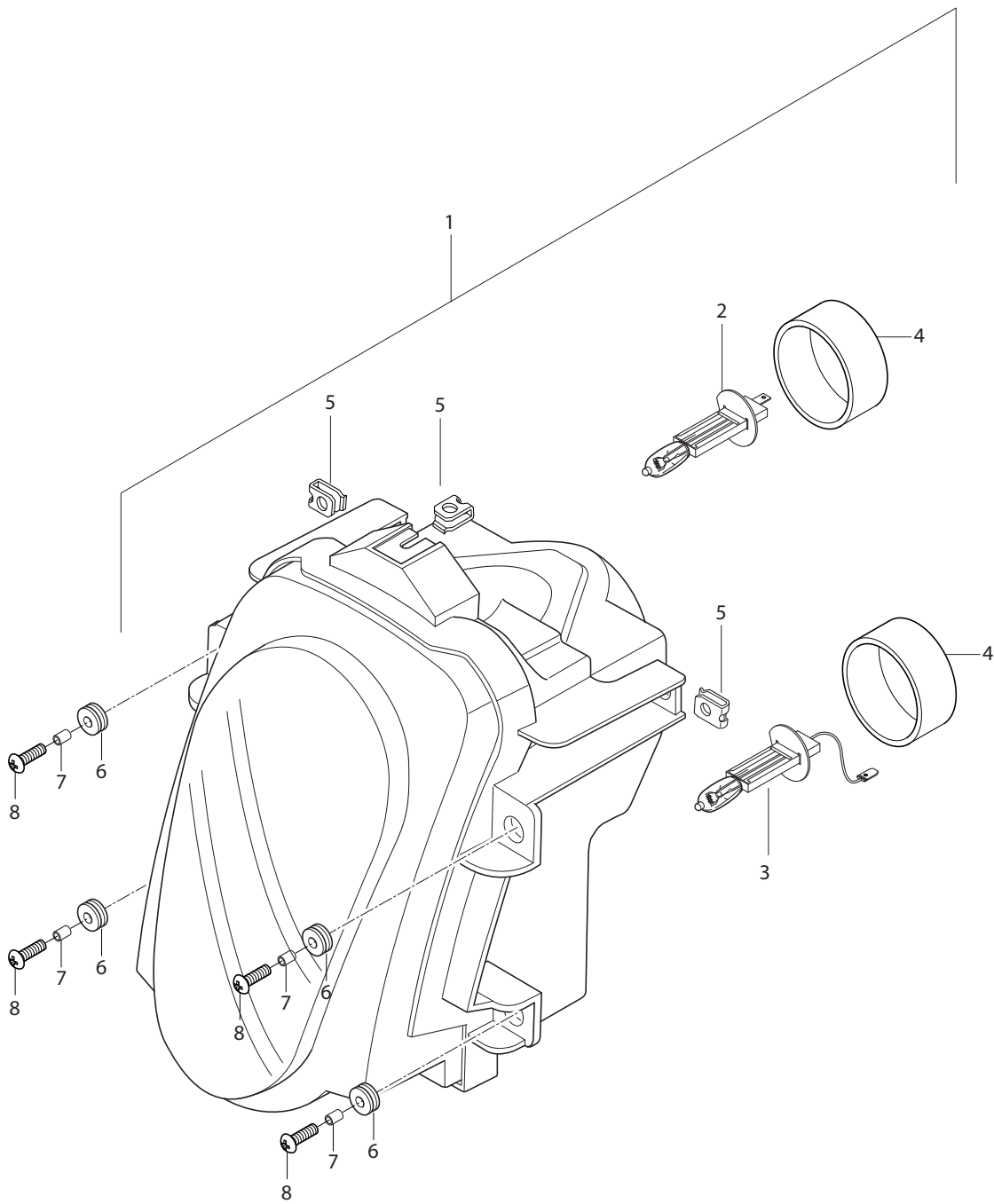


FIG 22. HEAD LAMP

REF. NO.	GT250R FI - 2008	GT250RN EI - 2009		PARTS NAME	QTY	REMARKS	REC.QTY
	7EU01/7FO01/7GO01/7SO01	9EU01/9FO01/9GO01/9SO01/9AT	9US02				100 UNIT
1	35100HR8351	35100HR8351	35100HP9261	HEAD LAMP ASS'Y	1		5
2	09471H12250	09471H12250	09471H12250	BULB, head lamp hi(12v H1:55w)	1		10
3	09471H12230	09471H12230	09471H12230	BULB, head lamp low(12v H3:55w)	1		10
4	35173HP9200	35173HP9200	35173HP9200	DUST COVER	2		
5	09148-05039	09148-05039	09148-05039	NUT, head lamp speedometer	3		45
6	09320-09016	09320-09016	09320-09016	CUSHION, head lamp & brace comp	4		
7	09180-06011	09180-06011	09180-06011	SPACER, head lamp & brace comp	4		10
8	09136-06113	09136-06113	09136-06113	BOLT, head lamp & brace comp	4		

FIG.23

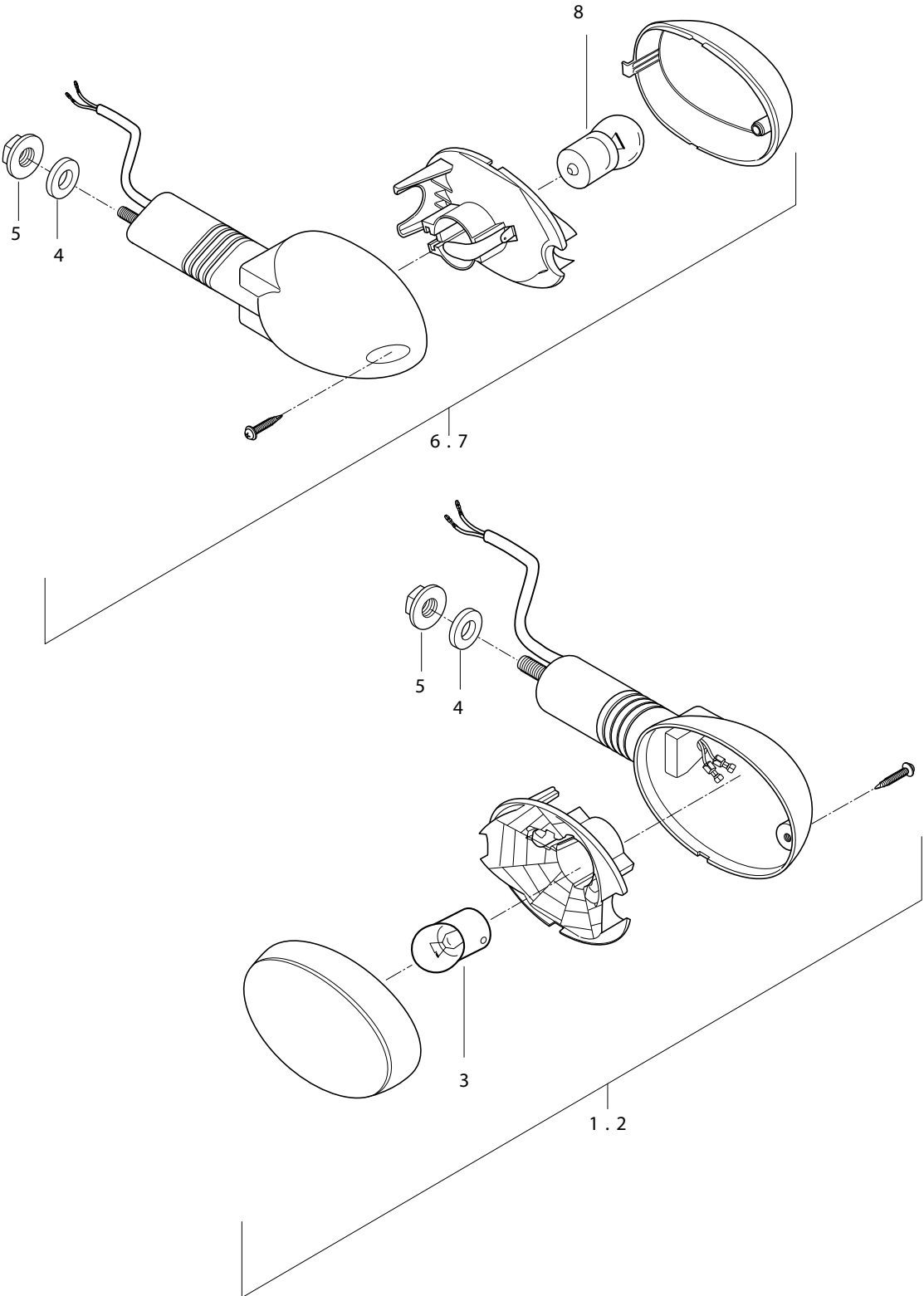


FIG 23. FRONT TURN SIGNAL LAMP

REF. NO.	GT250R FI - 2008 7EU01/7FO01/7GO01/7SO01	GT250RN EI - 2009 9EU01/9FO01/9GO01/9SO01/9AT 9US02	PARTS NAME	QTY	REMARKS	REC.QTY 100 UNIT (PCS)
1	35601HR7900	35601HR7900	35601HP9250	LAMP ASS'Y, FT turnsignal R	1	10
2	35602HR7900	35602HR7900	35602HP9250	LAMP ASS'Y, FT turnsignal L	1	10
3	09471H12112	09471H12112	09471H12112	BULB, FT turnsignal lamp(12V, RYIOW)	2	40
4	09160-06019	09160-06019	09160-06019	WASHER, FT turnsignal lamp	4	
5	08316-26066	08316-26066	08316-26066	NUT, FT turnsignal lamp	4	
6	35603HR8600	35603H99700	35603H997B0	LAMP ASS'Y, RR turnsignal R	1	10
7	35604HR8600	35604H99700	35604H997B0	LAMP ASS'Y, RR turnsignal L	1	10
8	09471H12112	09471H12112	09471H12112	BULB, RR turnsignal lamp(12V, RYIOW)	2	40

FIG.24

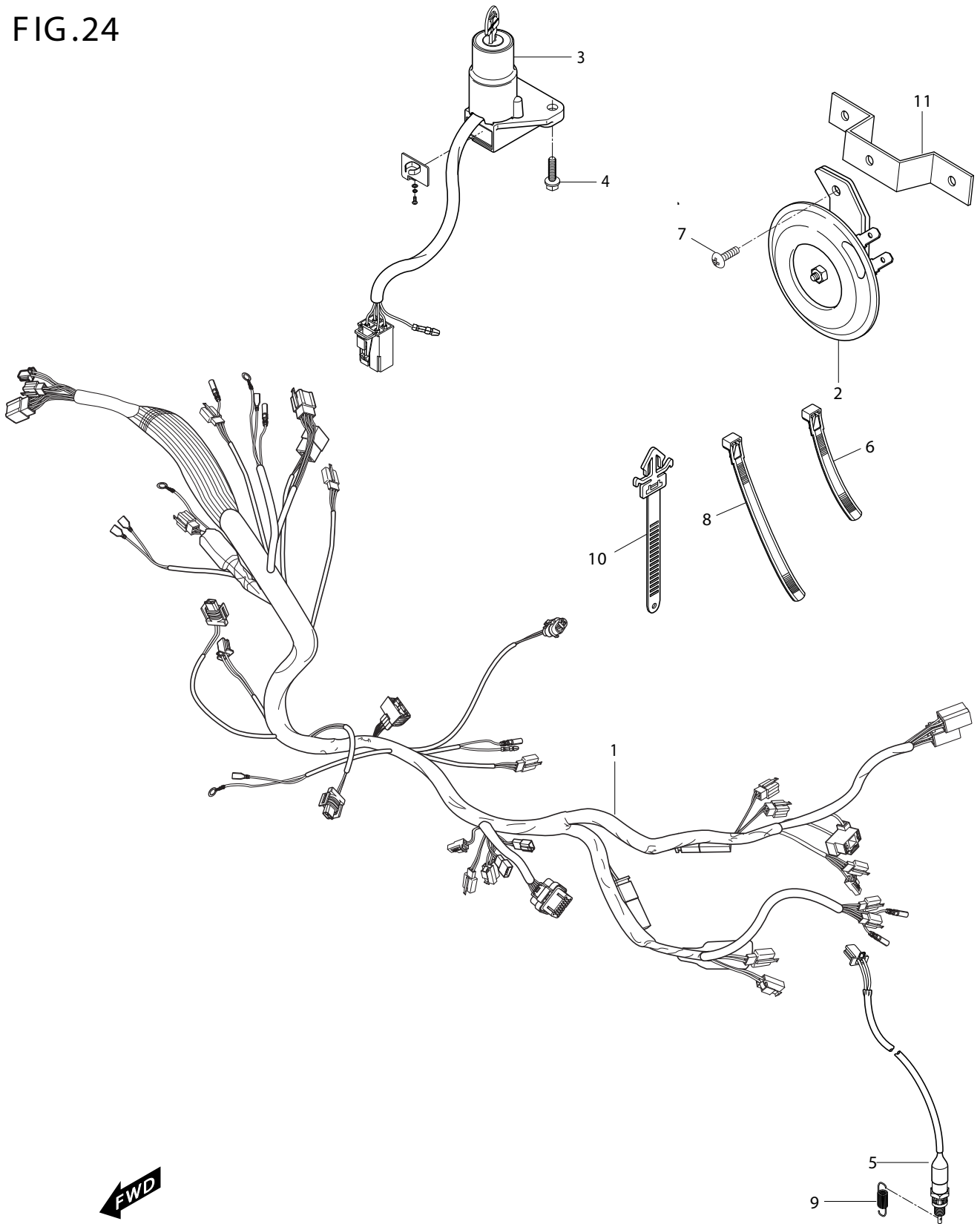
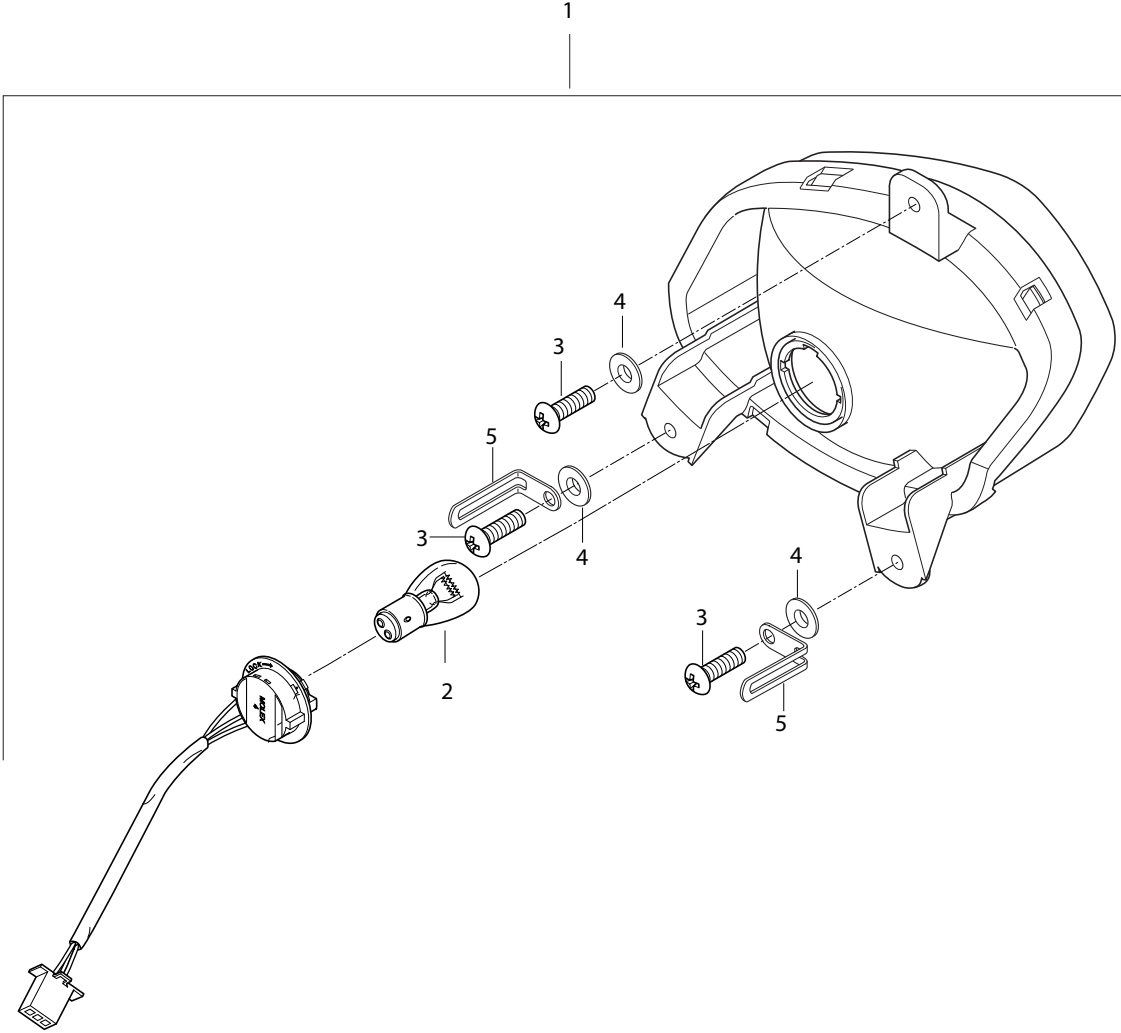


FIG 24. WIRING HARNESS

REF. NO.	GT250R FI - 2008	GT250RN EI - 2009		PARTS NAME	QTY	REMARKS	REC.QTY
	7EU01/7FO01/7GO01/7SO01	9EU01/9FO01/9GO01/9SO01/9AT	9US02				100 UNIT
1	36610HR8652	36610H98650	36610H98600	HARNES	1		5
2	38500HM8100	38500HM8100	38500HM8100	HORN ASS'Y	1		10
3	37000HP9200	37000HP9200	37000HP9200	LOCK ASSY, steering	1		5
4	01517-06168	01517-06168	01517-06168	BOLT, steering lock	2		
5	37740HN9100	37740HN9100	37740HN9100	SWITCH ASS'Y, brake lamp	1		
6	09407-14403	09407-14403	09407-14403	CLAMP, wiring harness	8		
7	02112-36128	02112-36128	02112-36128	SCREW, horn	1		
8	09407-22402	09407-22402	09407-22402	CLAMP, wiring harness	2		
9	09443-06012	09443-06012	09443-06012	SPRING	1		
10	09407-14408	09407-14408	09407-14408	CLAMP, wiring harness	5		
11	38520HR8300	38520HR8300	38520HR8300	BRACKET, horn(GT250R)	1		
12	17660HR8600	17660H88600	17660H88600	LEAD WIRE HARNES	1		
13	37890HP8800	37890HP8810	37890HP8810	SENSOR,TIP OVER	1		

FIG.25 (2008)

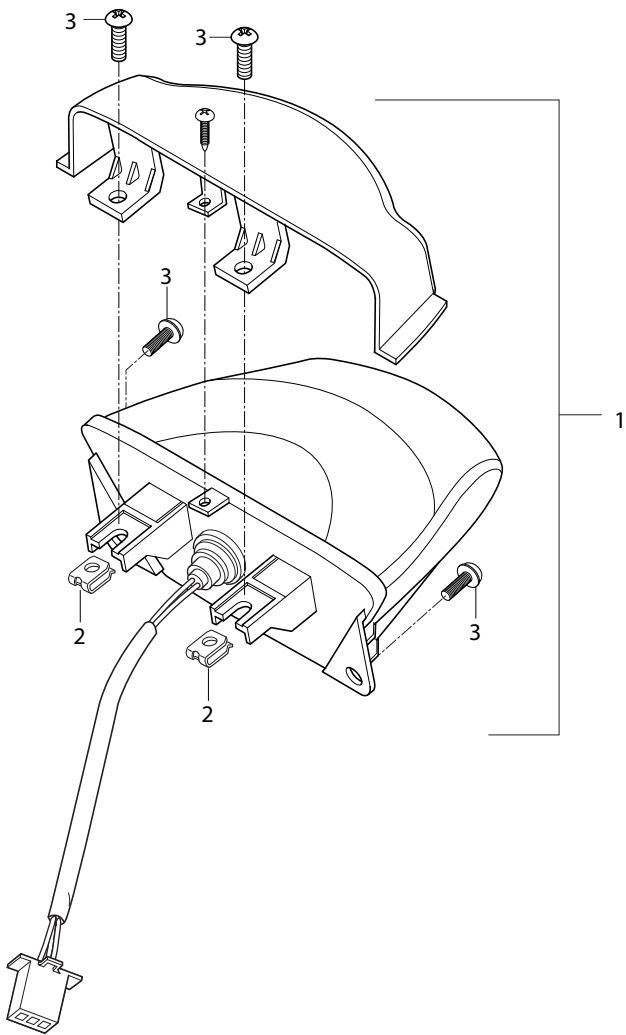


FWD

FIG 25. REAR COMBINATION(2008)

REF. NO.	GT250R FI - 2008 7EU01/7FO01/7GO01/7SO01	GT250RN EI - 2009 9EU01/9FO01/9GO01/9SO01/9AT 9US02	PARTS NAME	QTY	REMARKS	REC.QTY 100 UNIT (PCS)
1	35710HM8152		LAMP ASS`Y, tail & stop	1		10
2	09471-12047		BULB, tail & stop(12V 21/5W)	1		
3	03241-05166		SCREW, tail & stop	3		
4	09160-05017		WASHER, tail & stop	3		
5	09404-06401		CLAMP, tail & stop	2		

FIG 25 (2009)



← FWD

FIG 25. REAR COMBINATION(2009)

REF. NO.	GT250R FI - 2008 7EU01/7FO01/7GO01/7SO01	GT250RN EI - 2009 9EU01/9FO01/9GO01/9SO01/9AT 9US02	PARTS NAME	Q`TY	REMARKS	REC.Q`TY 100 UNIT (PCS)
1		35710H99700	35710H99700	LAMP ASS`Y, tail & stop		1
2		09148-06020	09148-06020	NUT, tail & stop		2
3		02142-06125	02142-06125	BOLT, tail & stop		4

FIG 26 (2008)

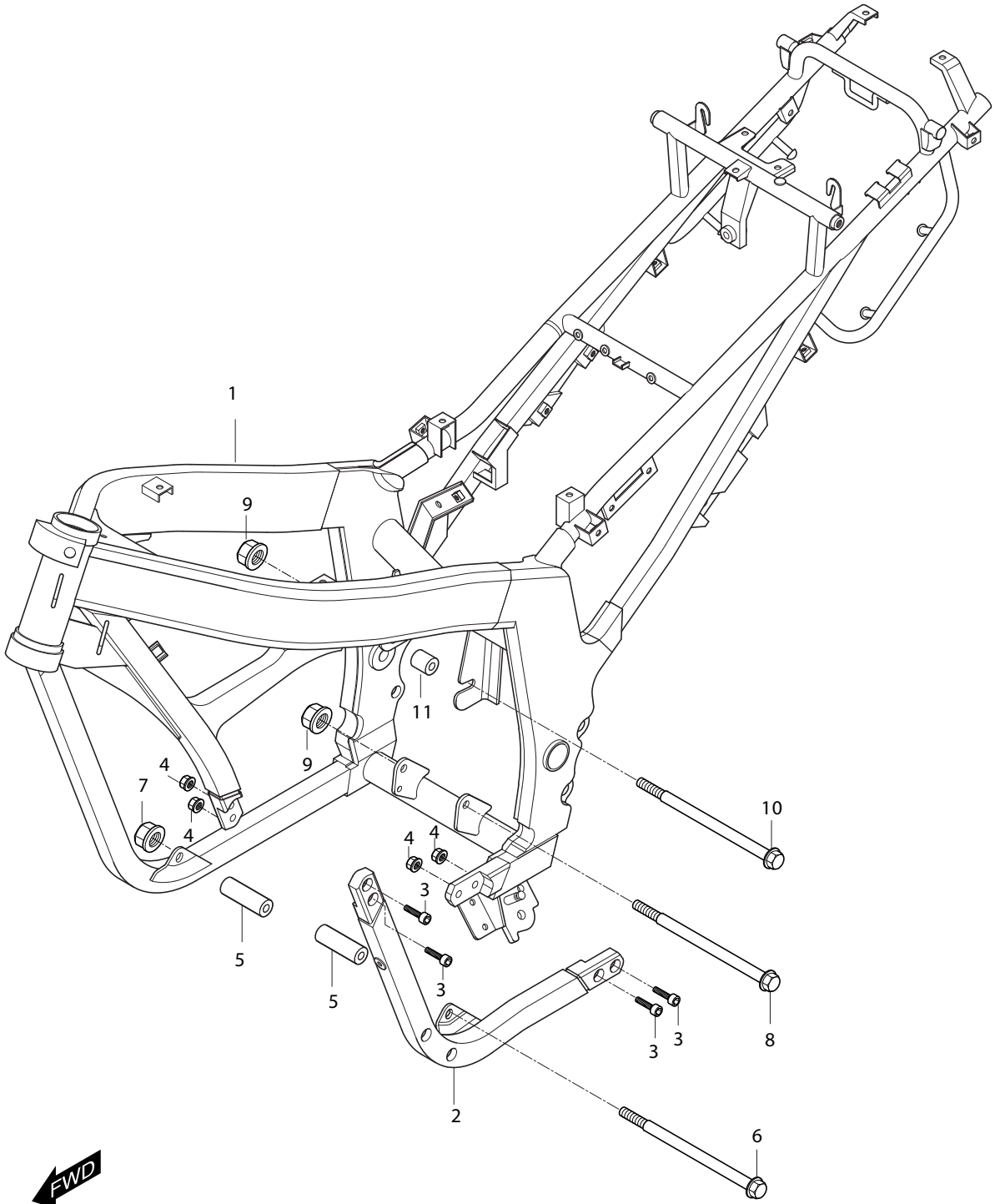


FIG 26. FRAME(2008)

REF. NO.	GT250R FI - 2008 7EU01/7FO01/7GO01/7SO01	GT250RN EI - 2009 9EU01/9FO01/9GO01/9SO01/9AT 9US02	PARTS NAME	QTY	REMARKS	REC.QTY 100 UNIT (PCS)
1	41100HR8600PAM		FRAME COMP(GT250R)	1		1
2	41150HR8600PAM		TUBE COMP, frame down L(GT250R)	1		
3	07110-08258		BOLT, frame joint	4		
4	08316-16088		NUT, frame joint	4		
5	41161HM8100		SPACER, frame & engine front L=59	2		
6	09103H10099		BOLT, frame & engine front L=228	1		
7	08319-31106		NUT, frame & engine front L=228	1		
8	09103H10022		BOLT, frame & engine rear lower L=110	1		
9	08319-31106		NUT, frame & engine rear	1		
10	09103H10153		BOLT, frame & engine rear upper L=136	1		
11	41171HM8100		SPACER, frame & engine rear upper L=26	1		

FIG 26 (2009)

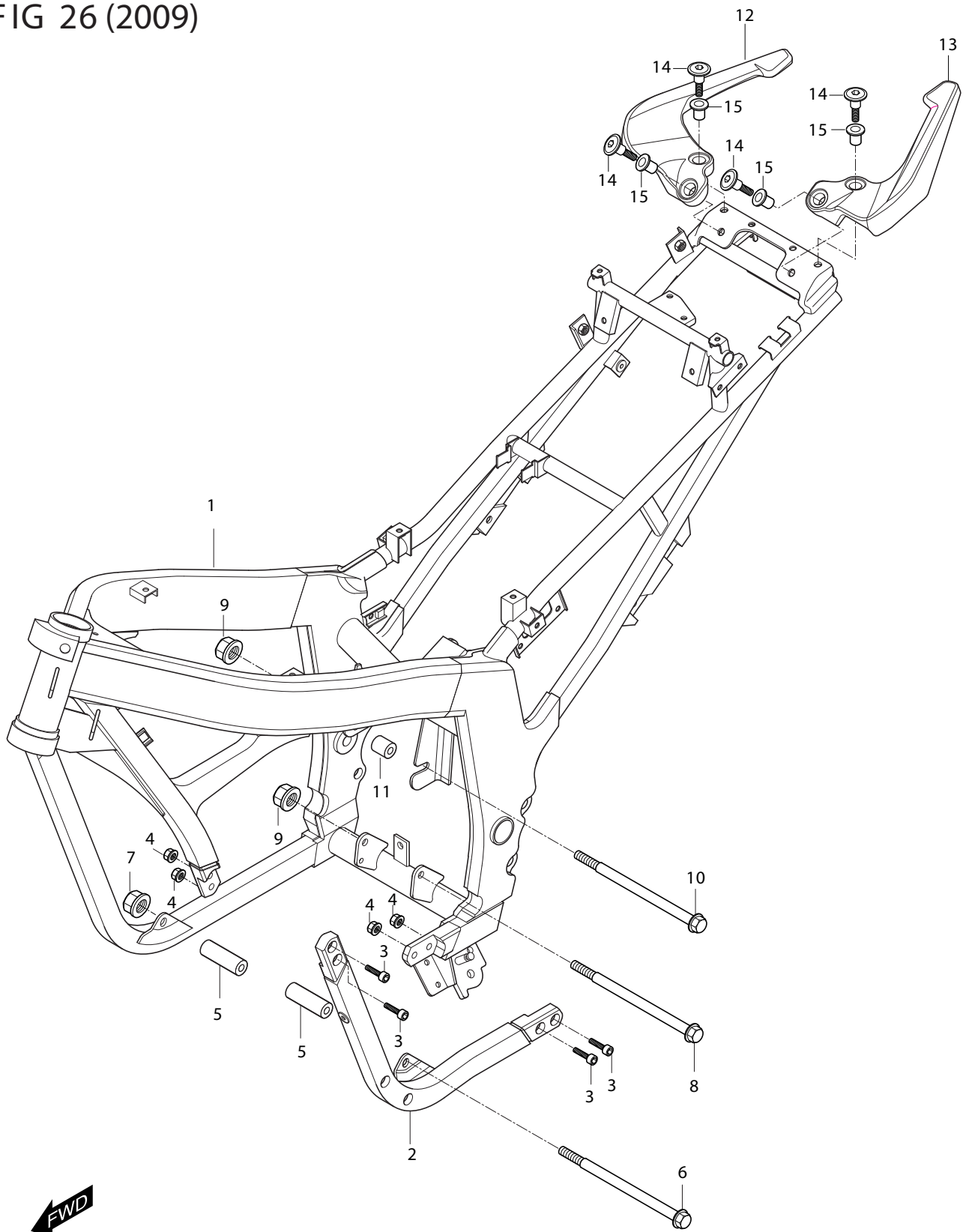


FIG 26. FRAME(2009)

REF. NO.	GT250R FI - 2008 7EU01/7FO01/7GO01/7SO01	GT250RN EI - 2009 9EU01/9FO01/9GO01/9SO01/9AT 9US02	PARTS NAME	QTY	REMARKS	REC.QTY 100 UNIT (PCS)
1		41100H98600PAM	41100H986B0PAM	FRAME COMP	1	1
2		41150HM8100	41150HM8100	TUBE COMP, frame down L(GT250N)	1	
3		41150HR8600	41150HR8600	TUBE COMP, frame down L(GT250RN)	1	
4		07110-08258	07110-08258	BOLT, frame joint	4	
5		08316-16088	08316-16088	NUT, frame joint	4	
6		41161HM8100	41161HM8100	SPACER, frame & engine front L=59	2	
7		09103H10099	09103H10099	BOLT, frame & engine front L=228	1	
8		08319-31108	08319-31108	NUT, frame & engine front L=228	1	
9		09103H10022	09103H10022	BOLT, frame & engine rear lower L=110	1	
10		08319-31108	08319-31108	NUT, frame & engine rear	1	
11		09103H10153	09103H10153	BOLT, frame & engine rear upper L=136	1	
12		41171HM8100	41171HM8100	SPACER, frame & engine rear upper L=26	1	
13		47511H99700	47511H99700	GRIP, pillion rider R.	1	
14		47521H99700	47521H99700	GRIP, pillion rider L.	1	
15		09106H08308	09106H08308	BOLT, pillion rider	4	
16		09169H10003	09169H10003	SPACER, pillion grip	4	
		68911HM8152	68911HM8152	LABEL,NOISE TEST for 9AT01	1	
		98111HN9180	98111HN9180	LABEL, YEAR for 9AT01	1	

FIG.27

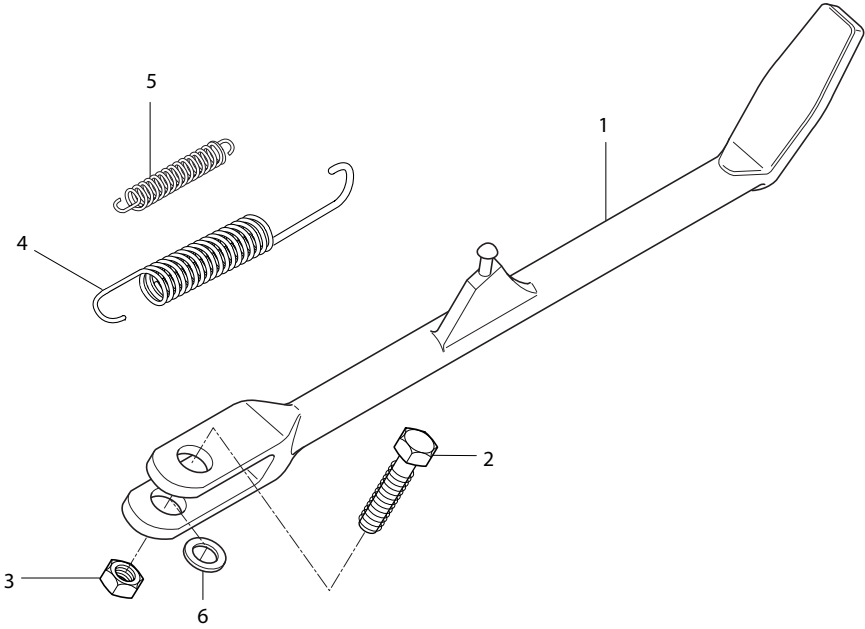


FIG 27. PROP STAND

REF. NO.	GT250R FI - 2008 7EU01/7FO01/7GO01/7SO01	GT250RN EI - 2009 9EU01/9FO01/9GO01/9SO01/9AT 9US02	PARTS NAME	QTY	REMARKS	REC.QTY 100 UNIT (PCS)	
1	42310HN9150120	42310HN9150120	42310HN9150120	STAND COMP, prop		1	5
2	09111H10048	09111H10048	09111H10048	BOLT, prop stand		1	5
3	08319-21108	08319-21108	08319-21108	NUT, prop stand		1	
4	08319-21108	08319-21108	08319-21108	SPRING, prop stand		1	
5	09443-06001	09443-06001	09443-06001	SPRING, prop stand inner		1	
6	08221-12225	08221-12225	08221-12225	SHIM, prop stand		1	

FIG.28 (2008)

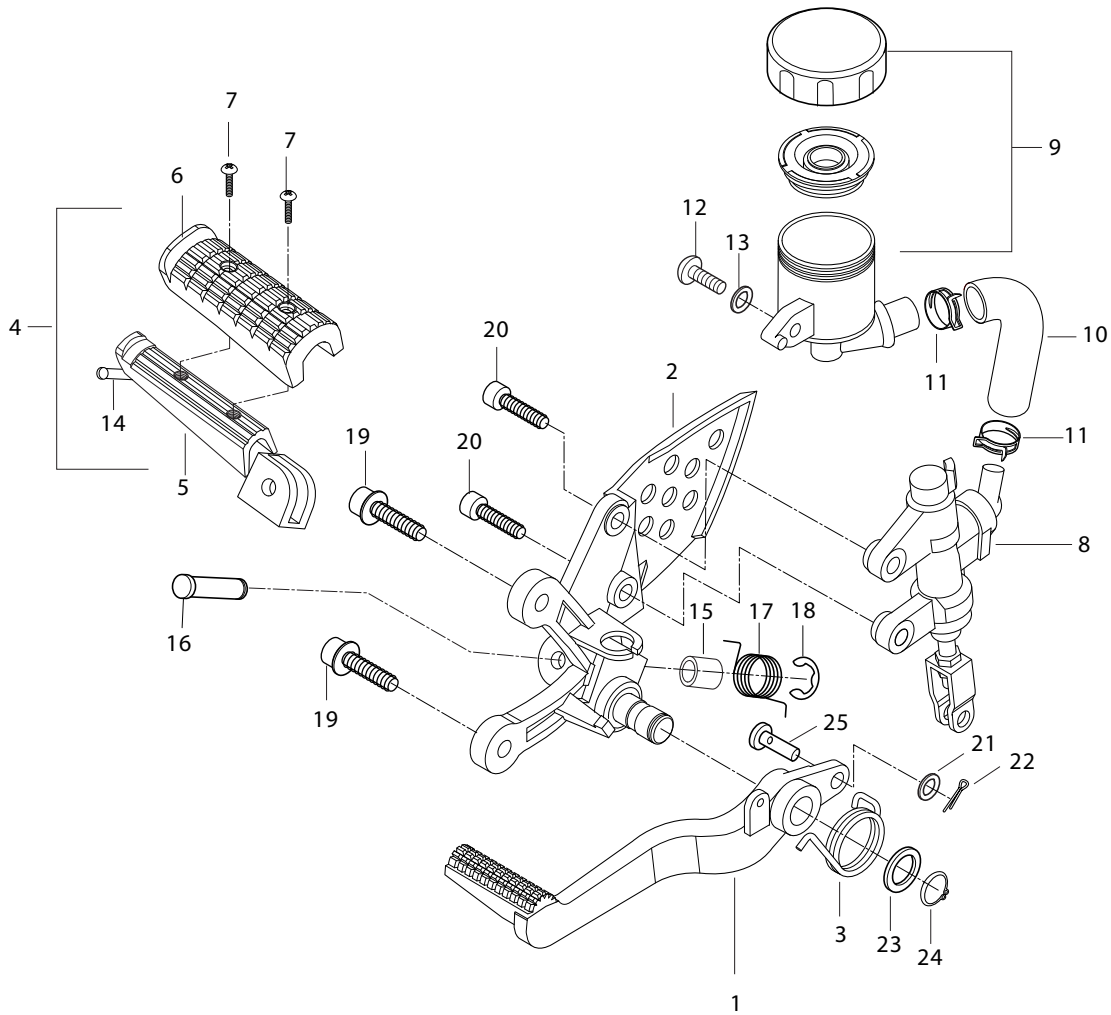


FIG 28. REAR BRAKE(2008)

REF. NO.	GT250R FI - 2008 7EU01/7FO01/7GO01/7SO01	GT250RN EI - 2009 9EU01/9FO01/9GO01/9SO01/9AT 9US02	PARTS NAME	Q'TY	REMARKS	REC.Q'TY 100 UNIT (PCS)
1	43110HM810003P		PEDAL COMP, brake	1		5
2	43530HM810603P		BRACKET COMP, front footrest R	1		5
3	09448HM30002		SPRING, brake pedal return	1		
4	43560HM8100		FOOTREST ASS'Y, front R	1		
5	43561HM8100		FOOTREST, bar front R	1	NOT SALE	
6	43530H30A40		RUBBER COMP, front footrest R	1	NOT SALE	
7	02112-05126		SCREW, front footrest	2	NOT SALE	
8	69600HM8100		CYLINDER ASS'Y rear master	1		5
9	69740HM8100		TANK ASS'Y reser vior	1	NOT SALE	
10	64700HM8101		HOSE ASS'Y reser vior	1	NOT SALE	
11	09400H13001		CLMAP, reserver tank hose	1		
12	01514-06168		BOLT, reser vior tank	1		
13	09160-06019		WASHER, reser vior tank	1	NOT SALE	
14	43533H30A40		BOLT, front footrest bar	1	NOT SALE	
15	09180H08008		SPACER, front footrest	1		10
16	43579HM8101		PIN, front footrest	1		10
17	09448H14007		SPRING, front footrest	1		10
18	08322-11079		E-RING, front footrest	1		15
19	07120-08258		BOLT, front footrest bracket	2		40
20	07120-08258		BOLT, master cylinder	2		5
21	08332-21068		WASHER, rear master cylinder	1		10
22	04111-20208		COTTER PIN, rear master cylinder	1		10
23	09160H15002		WASHER, brake pedal	1		10
24	08331-31159		CIRCLIP, brake pedal	1		5
25	09200H06040		PIN, rear master cylinder	1		5

FIG 28 (2009)

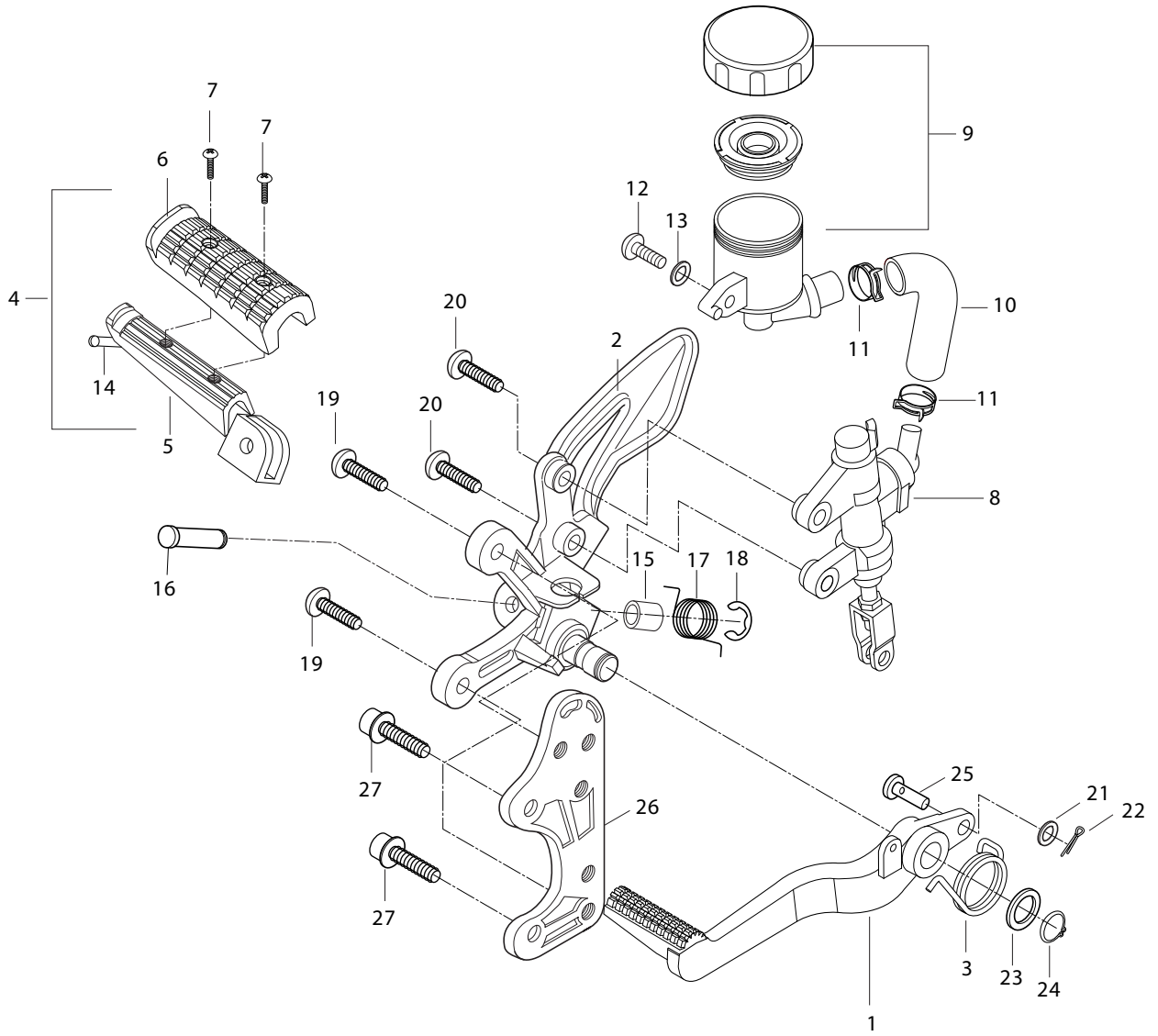


FIG 28. REAR BRAKE(2009)

REF. NO.	GT250R FI - 2008 7EU01/7FO01/7GO01/7SO01	GT250RN EI - 2009 9EU01/9FO01/9GO01/9SO01/9AT 9US02	PARTS NAME	Q`TY	REMARKS	REC.Q`TY 100 UNIT (PCS)
1		43110HM8101	43110HM8101	PEDAL COMP, brake	1	
2		43530H9970003P	43530H9970003P	BRACKET COMP, front footrest R	1	
3		09448H30002	09448H30002	SPRING, brake pedal return	1	
4		43560HM8100	43560HM8100	FOOTREST ASS'Y, front R	1	
5		43561HM8100	43561HM8100	FOOTREST, bar front R	1	
6		43530H30A40	43530H30A40	RUBBER COMP, front footrest R	1	
7		02112-05126	02112-05126	SCREW, front footrest	2	
8		69600HM8101	69600HM8101	CYLINDER ASS'Y rear master	1	
9		69740HN9100	69740HN9100	TANK ASS'Y reser vior	1	
10		69700HM8101	69700HM8101	HOSE ASS'Y reser vior	1	
11		09400H13001	09400H13001	CLMAP, reserver tank hose	2	
12		01517-06168	01517-06168	BOLT, reser vior tank	1	
13		09160-06019	09160-06019	WASHER, reser vior tank	1	
14		43533H30A40	43533H30A40	BOLT, front footrest bar	1	
15		09180H08008	09180H08008	SPACER, front footrest	1	
16		43579HM8101	43579HM8101	PIN, front footrest	1	
17		09448H14007	09448H14007	SPRING, front footrest	1	
18		08332-11079	08332-11079	E-RING, front footrest	1	
19		09106H08230	09106H08230	BOLT, front footrest bracket	2	
20		09106H08230	09106H08230	BOLT, master cylinder	2	
21		08322-21068	08322-21068	WASHER, rear master cylinder	1	
22		04111-20208	04111-20208	COTTER PIN, rear master cylinder	1	
23		09160H15002	09160H15002	WASHER, brake pedal	1	
24		08331-31159	08331-31159	CIRCLIP, brake pedal	1	
25		09200H06040	09200H06040	PIN, rear master cylinder	1	
26		43550HP9201	43550HP9201	BRKT, front footrest back step R	2	
27		07120-08258	07120-08258	BOLT, front footrest back step	1	

FIG.29 (2008)

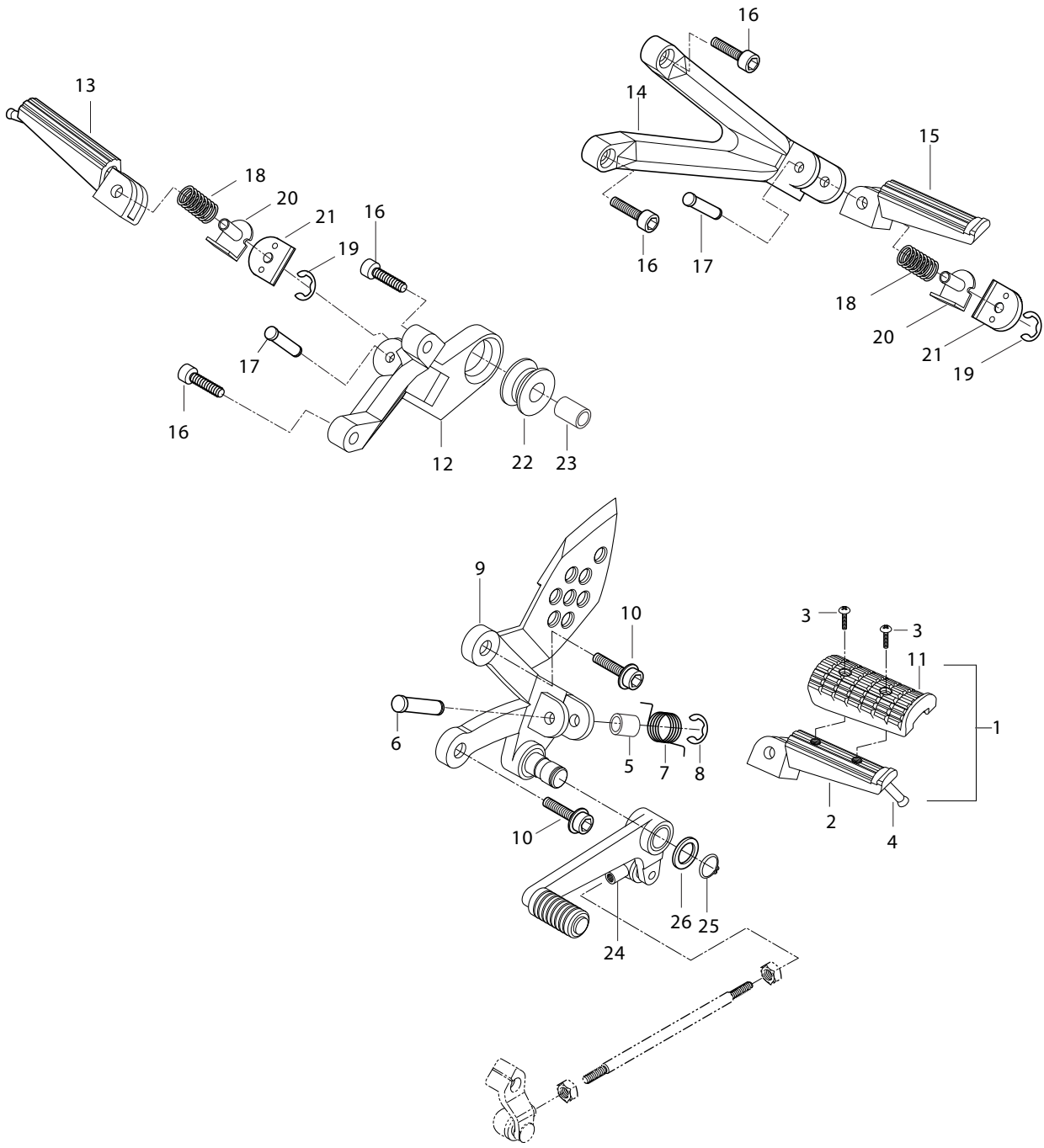


FIG 29. FOOTREST(2008)

REF. NO.	GT250R FI - 2008 7EU01/7FO01/7GO01/7SO01	GT250RN EI - 2009 9EU01/9FO01/9GO01/9SO01/9AT 9US02	PARTS NAME	Q'TY	REMARKS	REC.Q'TY 100 UNIT (PCS)
1	43570HM8100		FOOTREST ASSY, front L	1		5
2	43571HM8100		FOOTREST BAR, front L	1	NOT SALE	
3	02112-05126		SCREW, front footrest	2	NOT SALE	
4	43533H30A40		BOLT, front footrest bar	1	NOT SALE	
5	09180H08008		SPACER, front footrest	1		10
6	43579HM8101		PIN, front footrest bar	1		10
7	09448H14007		SPRING, front footrest	1		10
8	08322-11079		E-RING, front footrest	1		10
9	43540HN9101		BRACKET COMP, front footrest L	1		5
10	07120-08258		BOLT, front footrest bracket	2		40
11	43532H30A40		RUBBER, front footrest	1	NOT SALE	
12	43621HM810403P		BRACKET, pillion footrest R	1		
13	43661HM8101		FOOTREST BAR, pillion R	1		5
14	43721HM810403P		BRACKET, pillion footrest L	1		5
15	43671HM8101		FOOTREST BAR, pillion L	1		5
16	07110-08258		BOLT, pillion footrest bracket	4		40
17	43679HM8101		PIN, pillion footrest	2		10
18	09448H08008		SPRING, pillion footrest	2		10
19	08322-11048		E-RING, pillion footrest	2		10
20	43631HM8101		PLATE, pillion stopper No.1	2		10
21	43641HM8101		PLATE, pillion stopper No.2	2		10
22	09320-14015		CUSHION, muffler support	1		5
23	09180-10044		SPACER, muffler support	1		5
24	25600HR830003P		LEVER COMP, gear shift cam	1		
25	08331-31159		CIRCLIP, gear shift lever	1		10
26	09160H15002		WASHER, gear shift lever	1		10

FIG 29 (2009)

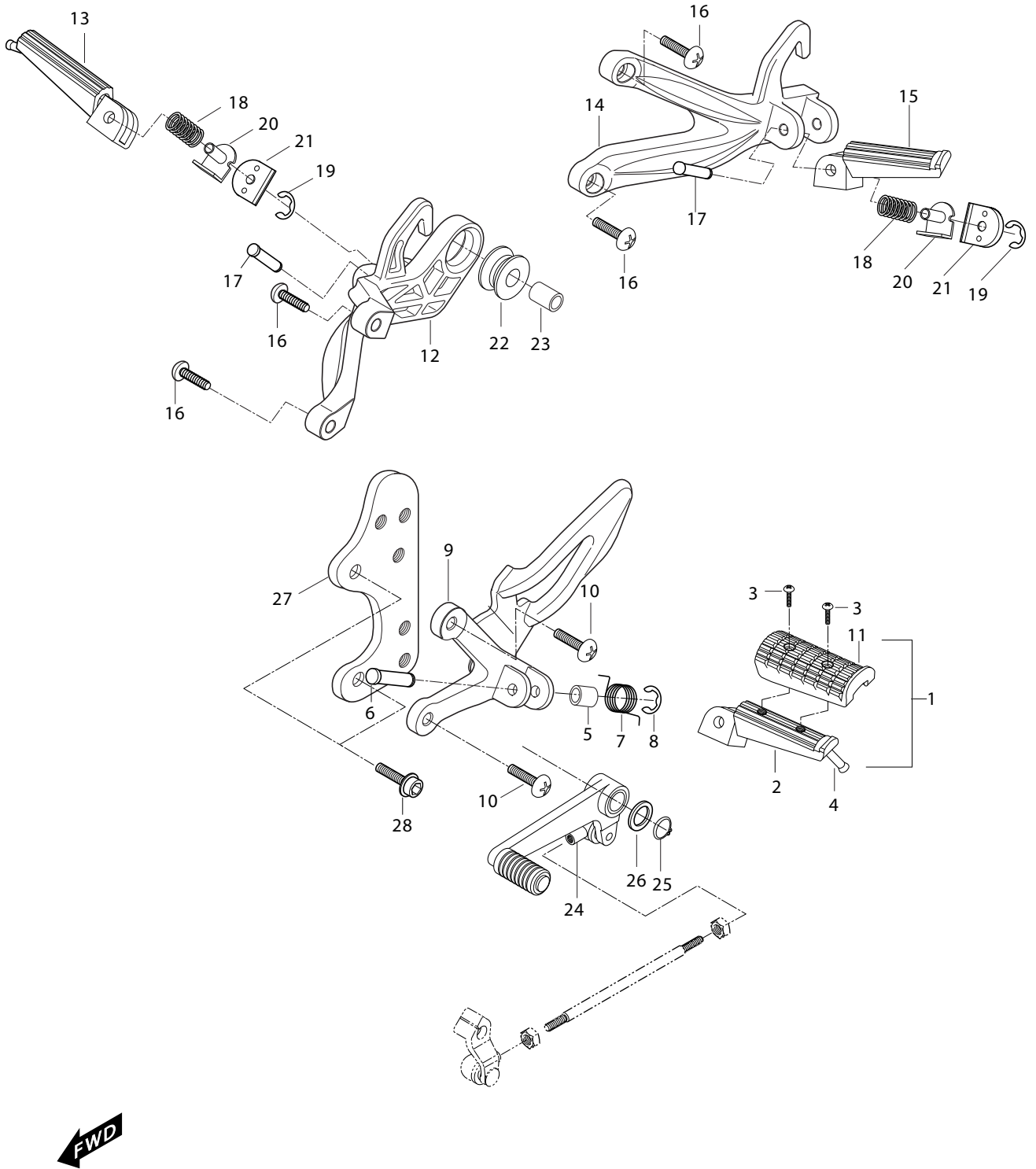


FIG 29. FOOTREST(2009)

REF. NO.	GT250R FI - 2008 7EU01/7FO01/7GO01/7SO01	GT250RN EI - 2009 9EU01/9FO01/9GO01/9SO01/9AT 9US02	PARTS NAME	Q`TY	REMARKS	REC.Q`TY 100 UNIT (PCS)
1		43570HM8100	43570HM8100	FOOTREST ASSY, front L	1	
2		43571HM8100	43571HM8100	FOOTREST BAR, front L	1	
3		02112-05126	02112-05126	SCREW, front footrest	2	
4		43533H30A40	43533H30A40	BOLT, front footrest bar	1	
5		09180H08008	09180H08008	SPACER, front footrest	1	
6		43579HM8101	43579HM8101	PIN, front footrest bar	1	
7		09448H14007	09448H14007	SPRING, front footrest	1	
8		08332-11079	08332-11079	E-RING, front footrest	1	
9		43540H9970003P	43540H9970003P	BRACKET COMP, front footrest L	1	
10		09106H08230	09106H08230	BOLT, front footrest bracket	2	
11		43532H30A40	43532H30A40	RUBBER, front footrest	1	
12		43621H9970003P	43621H9970003P	BRACKET, pillion footrest R	1	
13		43661HM8101	43661HM8101	FOOTREST BAR, pillion R	1	
14		43721H99700	43721H99700	BRACKET, pillion footrest L	1	
15		43671HM8101	43671HM8101	FOOTREST BAR, pillion L	1	
16		09106H08230	09106H08230	BOLT, pillion footrest bracket	4	
17		43679HM8101	43679HM8101	PIN, pillion footrest	2	
18		09448H08008	09448H08008	SPRING, pillion footrest	2	
19		08332-11048	08332-11048	E-RING, pillion footrest	2	
20		43631HM8101	43631HM8101	PLATE, pillion stopper No.1	2	
21		43641HM8101	43641HM8101	PLATE, pillion stopper No.2	2	
22		09320-14015	09320-14015	CUSHION, muffler support	1	
23		09180-10044	09180-10044	SPACER, muffler support	1	
24		25600HN9101	25600HN9101	LEVER COMP, gear shift cam	1	
25		08331-31159	08331-31159	CIRCLIP, gear shift lever	1	
26		09160H15002	09160H15002	WASHER, gear shift leve	1	
27		43560HP9201	43560HP9201	BRKT, front footrest back step L	2	
28		07120-08258	07120-08258	BOLT, front footrest back step	1	

FIG.30

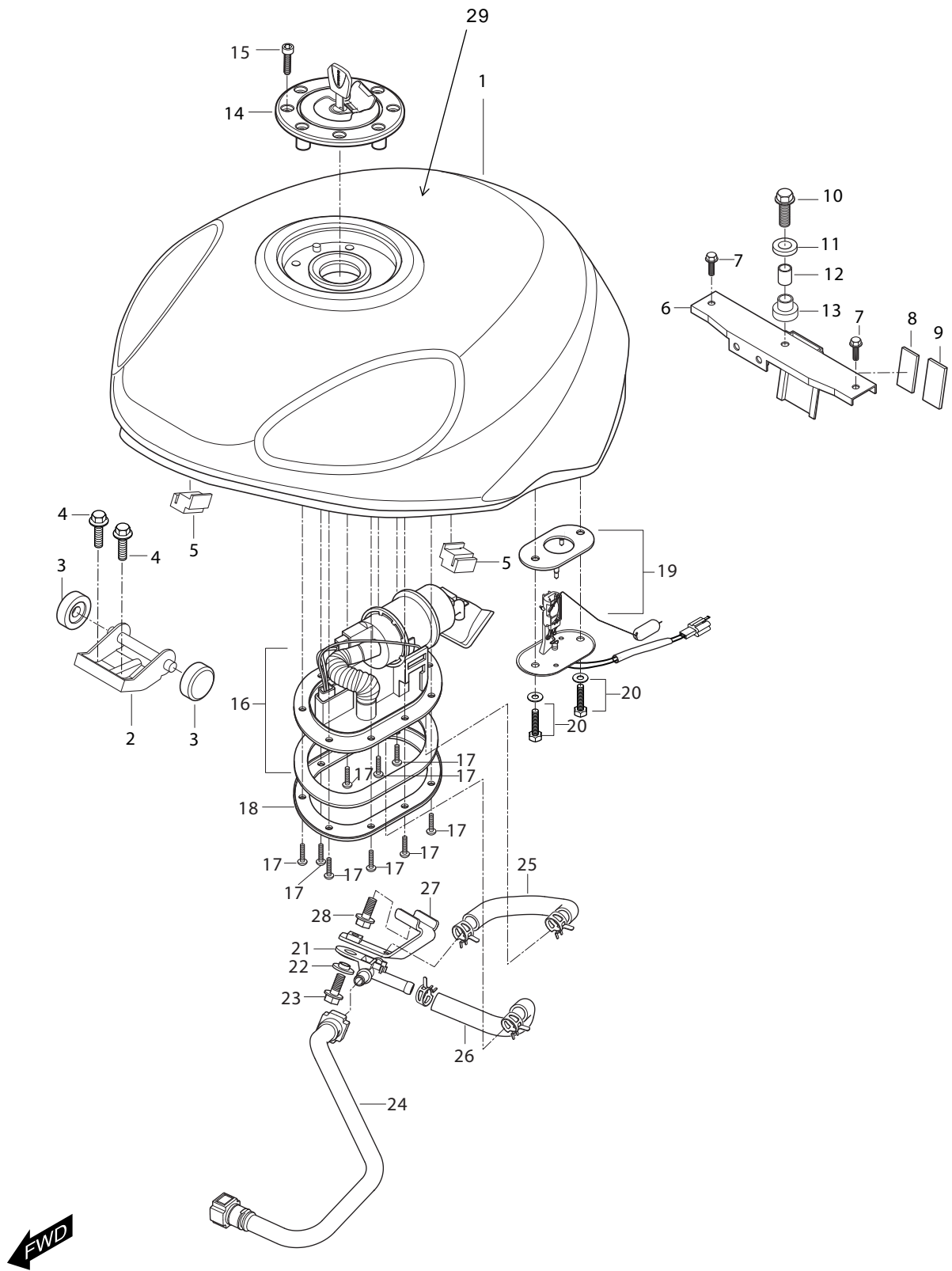


FIG 30. FUEL TANK

REF. NO.	GT250R FI - 2008		GT250RN EI - 2009		PARTS NAME	Q'TY	REMARKS	REC.Q'TY
	7EU01/7FO01/7GO01/7SO01	9EU01/9FO01/9GO01/9SO01/9AT	9US02					100 UNIT
								(PCS)
1	44110HP9300	44110HP9300	44110HP9300	44110HP9300	TANK COMP, fuel(CBK,CDR,CDS,CLO)	1		5
2	44520HM8100	44520HM8100	44520HM8100	44520HM8100	BRKT COMP, fuel tank front	1		
3	09329-10007	09329-10007	09329-10007	09329-10007	CUSHION, fuel tank front	2		
4	01517-06166	01517-06166	01517-06166	01517-06166	BOLT, fuel tank front brkt	2		
5	09329H28001	09329H28001	09329H28001	09329H28001	CUSHION, fuel tank side	2		
6	44530HM8100	44530H99700	44530H99700	44530H99700	BRKT COMP, fuel tank RR	1		
7	01517-06206	01517-06206	01517-06206	01517-06206	BOLT, fuel tank RR brkt	2		
8	44613HE7100	44613HE7100	44613HE7100	44613HE7100	CUSHION, fuel tank RR brkt & battery	1		
9	44218HF4500	44218HF4500	44218HF4500	44218HF4500	CUSHION, fuel tank RR brkt & battery	1		
10	09116H08078	09116H08078	09116H08078	09116H08078	BOLT, fuel tank RR	1		
11	09320H14013	09320H14013	09320H14013	09320H14013	CUSHION, fuel tank RR up	1		
12	09180H08007	09180H08007	09180H08007	09180H08007	SPACER, fuel tank RR cushion	1		
13	09320-14013	09320-14013	09320-14013	09320-14013	CUSHION, fuel tank RR lower	1		
14	44200H35C30	44200H35C30	44200H35C30	44200H35C30	CAP ASSY, fuel tank filler	1		
15	09106-05017	09106-05017	09106-05017	09106-05017	BOLT, fuel tank filler	4		
16	15100HR8600	15100HR8600	15100HR8600	15100HR8600	PUMP ASS'Y, fuel module	1		5
17	09125H04016	09125H04016	09125H04016	09125H04016	SCREW, fuel pump module	10		5
18	15115HP9300	15115HP9300	15115HP9300	15115HP9300	PLATE, fuel pump module	1		5
19	34810HP9300	34810HP9300	34810HP9300	34810HP9300	GAUGE ASS'Y, fuel sender	1		5
20	09128-06035	09128-06035	09128-06035	09128-06035	BOLT, fuel sender	2		
21	15911HP9300	15911HP9300	15911HP9300	15911HP9300	JOINT, fuel hose	1		5
22	09169H06078	09169H06078	09169H06078	09169H06078	WASHER, fuel hose joint	1		5
23	01517-06125	01517-06125	01517-06125	01517-06125	BOLT, joont	1		10
24	15810HR8600	15810HR8600	15810HR8600	15810HR8600	HOSE COMP, fuel injector	1		5
25	15813HP9300	15813HP9300	15813HP9300	15813HP9300	HOSE, regulator & joint	1		10
26	15812HP9300	15812HP9300	15812HP9300	15812HP9300	HOSE, fuel pump & joint	1		5
27	44410HP9300	44410HP9300	44410HP9300	44410HP9300	BRKT COMP, joint lower	1		5
28	01517-06125	01517-06125	01517-06125	01517-06125	BOLT, joint lower brkt	1		
29	68319H05350PL	68319H05351PL	68319H05351PL	68319H05351PL	LABEL, caution for 7EU01			
	68319H05370PL	68319H05371PL	68319H05371PL	68319H05371PL	LABEL, caution for 7GO01			
	68319H05380PL	68319H05381PL	68319H05381PL	68319H05381PL	LABEL, caution for 7SO01			
	68319H05390PL	68319H05391PL	68319H05391PL	68319H05391PL	LABEL, caution for 7FO01			

FIG.31 (2008)

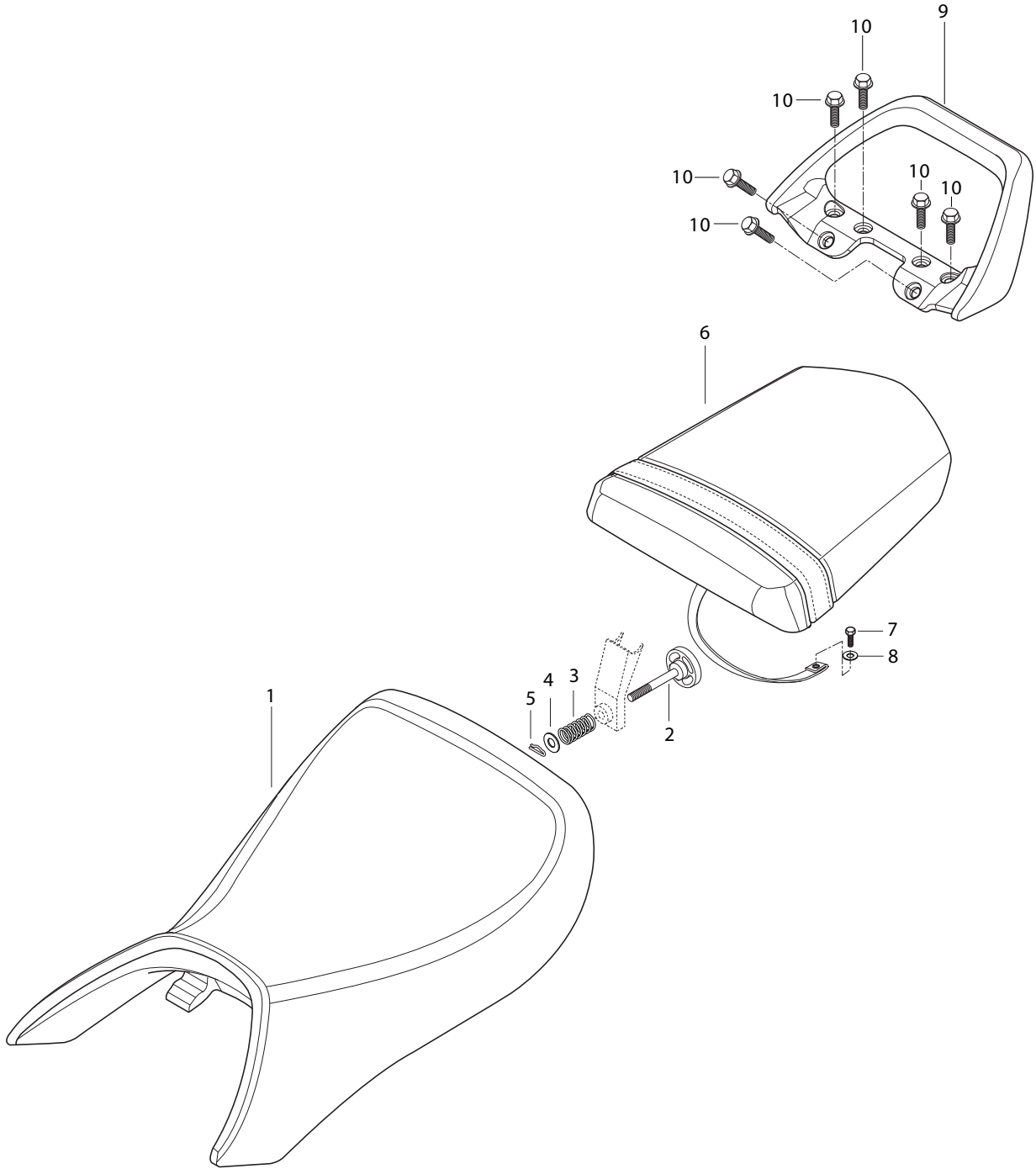


FIG 31. SEAT(2008)

REF. NO.	GT250R FI - 2008 7EU01/7FO01/7GO01/7SO01	GT250RN EI - 2009 9EU01/9FO01/9GO01/9SO01/9AT 9US02	PARTS NAME	QTY	REMARKS	REC.QTY 100 UNIT (PCS)
1	45110HN9100HAS		SEAT SET, front	1		5
2	45120HM8101		KNOB COMP, seat front	1		5
3	09440-11016		SPRING, seat front knob	1		
4	08322-11088		WASHER, seat front knob	1		
5	04111-20208		PIN, seat front knob	1		
6	45200HP9200		SEAT SET, rear	1		
7	01517-06166		BOLT, rear seat	1		5
8	09160-06057		WASHER, rear seat	1		
9	47510HP9201		RIDER, pillion	1		
10	09106H08230		BOLT, pillion rider	6		

FIG 31 (2009)

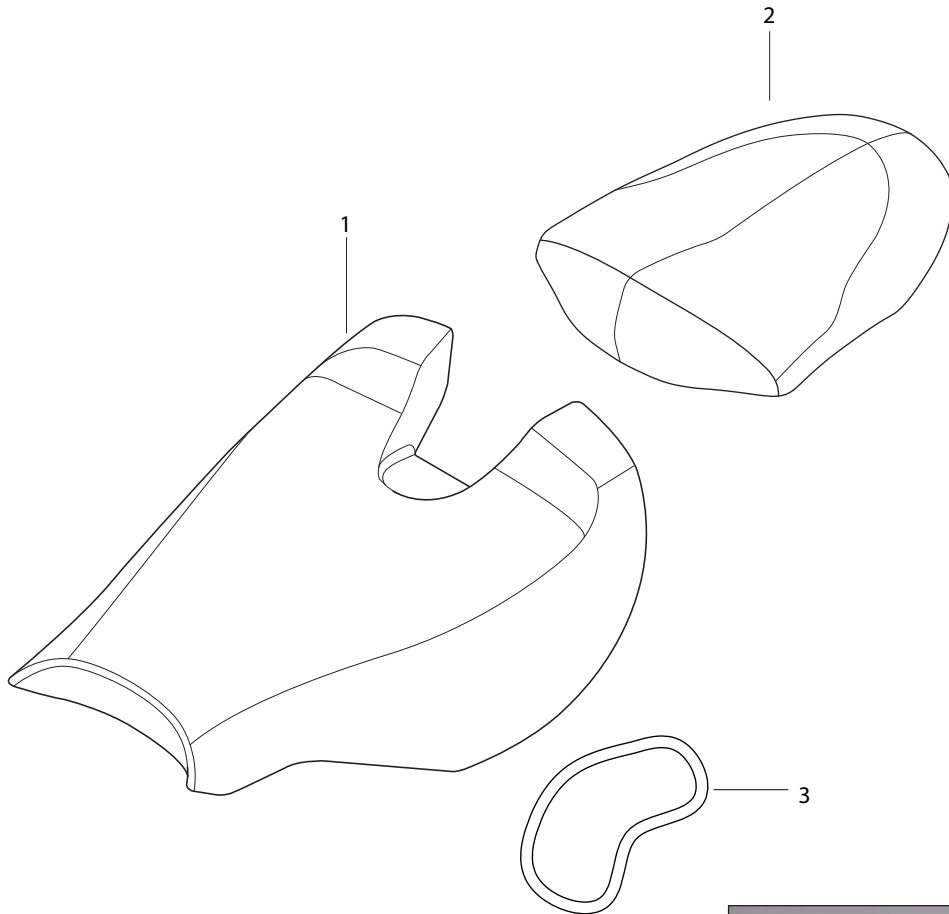
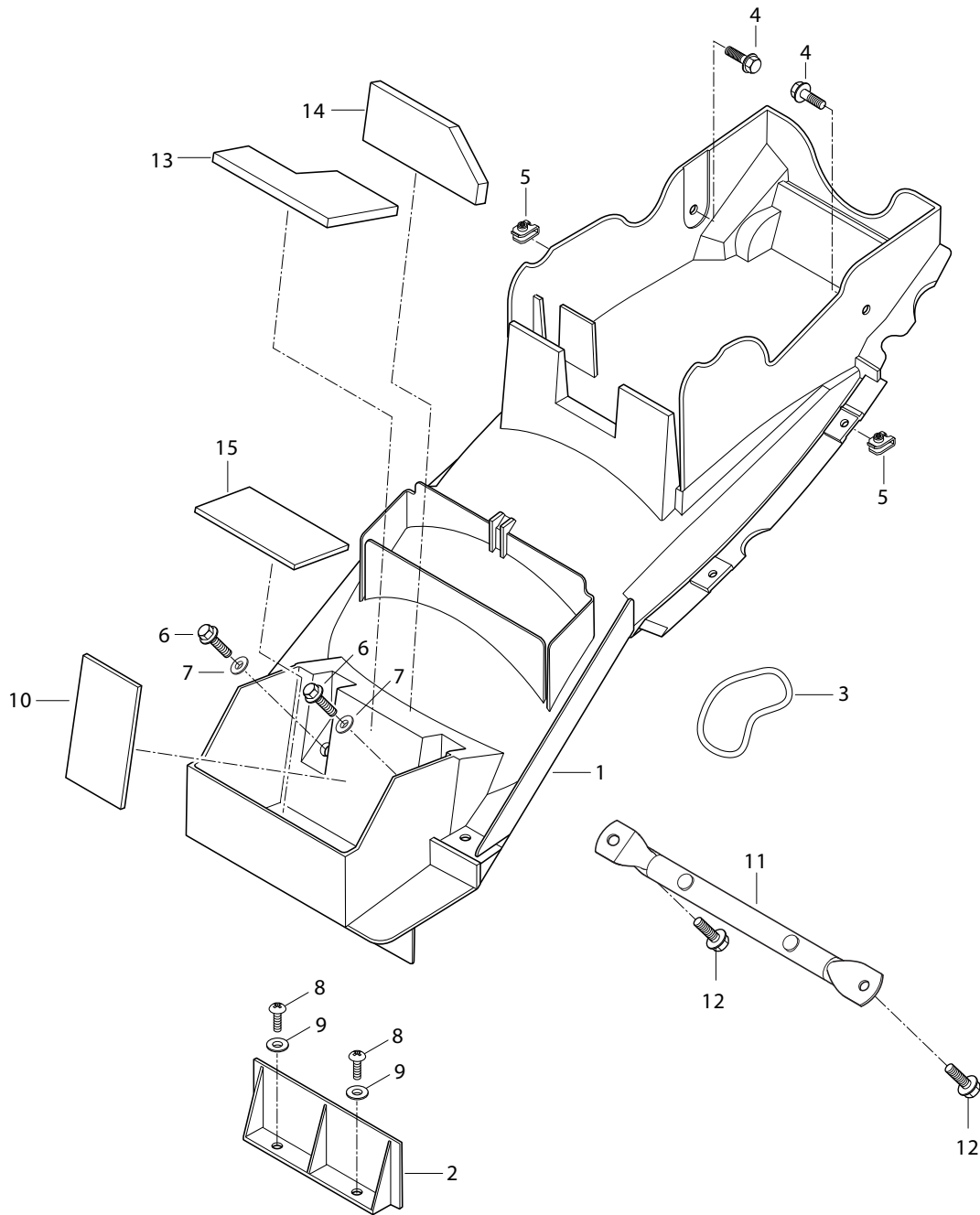


FIG 31. SEAT(2009)

REF. NO.	GT250R FI - 2008 7EU01/7FO01/7GO01/7SO01	GT250RN EI - 2009 9EU01/9FO01/9GO01/9SO01/9AT 9US02	PARTS NAME	Q`TY	REMARKS	REC.Q`TY 100 UNIT (PCS)
1		45110H99700	45110H99700	SEAT SET, front	1	
2		45200H99700	45200H99700	SEAT SET, rear	1	
3		09280-6300	09280-6300	BAND, tool	1	

FIG.32 (2008)



FWD

FIG 32. REAR FENDER(2008)

REF. NO.	GT250R FI - 2008 7EU01/7FO01/7GO01/7SO01	GT250RN EI - 2009 9EU01/9FO01/9GO01/9SO01/9AT 9US02	PARTS NAME	Q'TY	REMARKS	REC.Q'TY 100 UNIT (PCS)
1	63112HM810512A		FENDER, rear front	1		5
2	63113HM810112A		FENDER, rear lower	1		5
3	09280-63003		BAND, tool	1		
4	09111H06066		BOLT, rr fender ft up	2		
5	09148-05039		NUT, rr fender ft	2		
6	01517-06166		BOLT, rr fender ft & frame side tube	2		
7	09169-06032		WASHER, rr fender ft & frame side tube	2		
8	02142-06166		SCREW, rr fender lower	2		
9	09169-06032		WASHER, rr fender lower	2		
10	41589HG5900		CUSHION, rr fender ft & battery	1		
11	63120HN9150120		TUBE COMP, RR fender FT & frm side	1		
12	01517-08168		BOLT, frm side tube	2		
13	63161HP9300		CUSHION, ecu lower	1		
14	63162HP9300		CUSHION, ecu rear	1		
15	41589HR9700		CUSHION, RR fender FT& battery No.2	1		
16	68350HM8150PL		LABEL, caution NO,1 for 7EU01	1		
	68350HM8160PL		LABEL, caution NO,1 for 7GO01			
	68350HM8180PL		LABEL, caution NO,1 for 7SO01			
	68350HM8190PL		LABEL, caution NO,1 for 7FO01			

FIG 32 (2009)

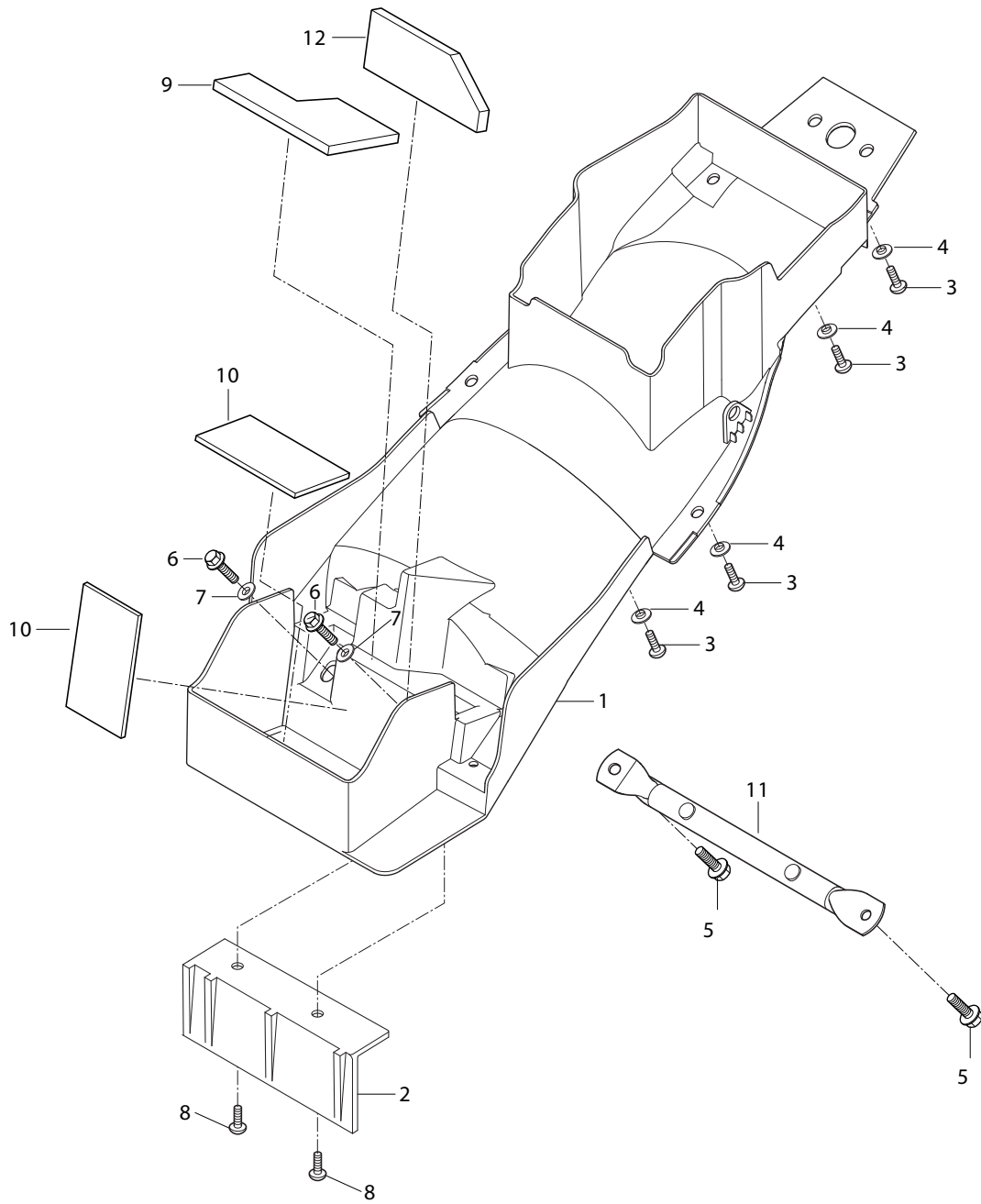


FIG 32. REAR FENDER(2009)

REF. NO.	GT250R FI - 2008 7EU01/7FO01/7GO01/7SO01	GT250RN EI - 2009 9EU01/9FO01/9GO01/9SO01/9AT 9US02	PARTS NAME	Q'TY	REMARKS	REC.Q'TY 100 UNIT (PCS)
1		63112H9970012A	63112H9970012A	FENDER, rear front	1	
2		63114H99700	63114H99700	FENDER, rear front lower	1	
3		09106H06150	09106H06150	SCREW, side cover lower & RR fender front lower	4	
4		09169H06078	09169H06078	WASHER, side cover lower & RR fender front lower	4	
5		01517-08168	01517-08168	BOLT, frm side tube	2	
6		01517-06166	01517-06166	BOLT, rr fender ft & frame side tube	2	
7		09169-06032	09169-06032	WASHER, rr fender ft & frame side tube	2	
8		02142-06125	02142-06125	SCREW, rr fender lower front lower	2	
9		63161HP9300	63161HP9300	CUSHION, ecu lower	1	
10		41589HG5900	41589HG5900	CUSHION, rr fender ft & battery	2	
11		63120HM8102	63120HM8102	TUBE COMP, RR fender FT & frm side	1	
12		63162HP9300	63162HP9300	CUSHION, ecu rear	1	
		68350HM8150PL	68350HM8150PL	LABEL, caution NO,1 for 9EU01, 9US01		
		68350HM8160PL	68350HM8160PL	LABEL, caution NO,1 for 9GO01		
		68350HM8180PL	68350HM8180PL	LABEL, caution NO,1 for 9SO01		
		68350HM8190PL	68350HM8190PL	LABEL, caution NO,1 for 9FO01		

FIG.33 (2008)

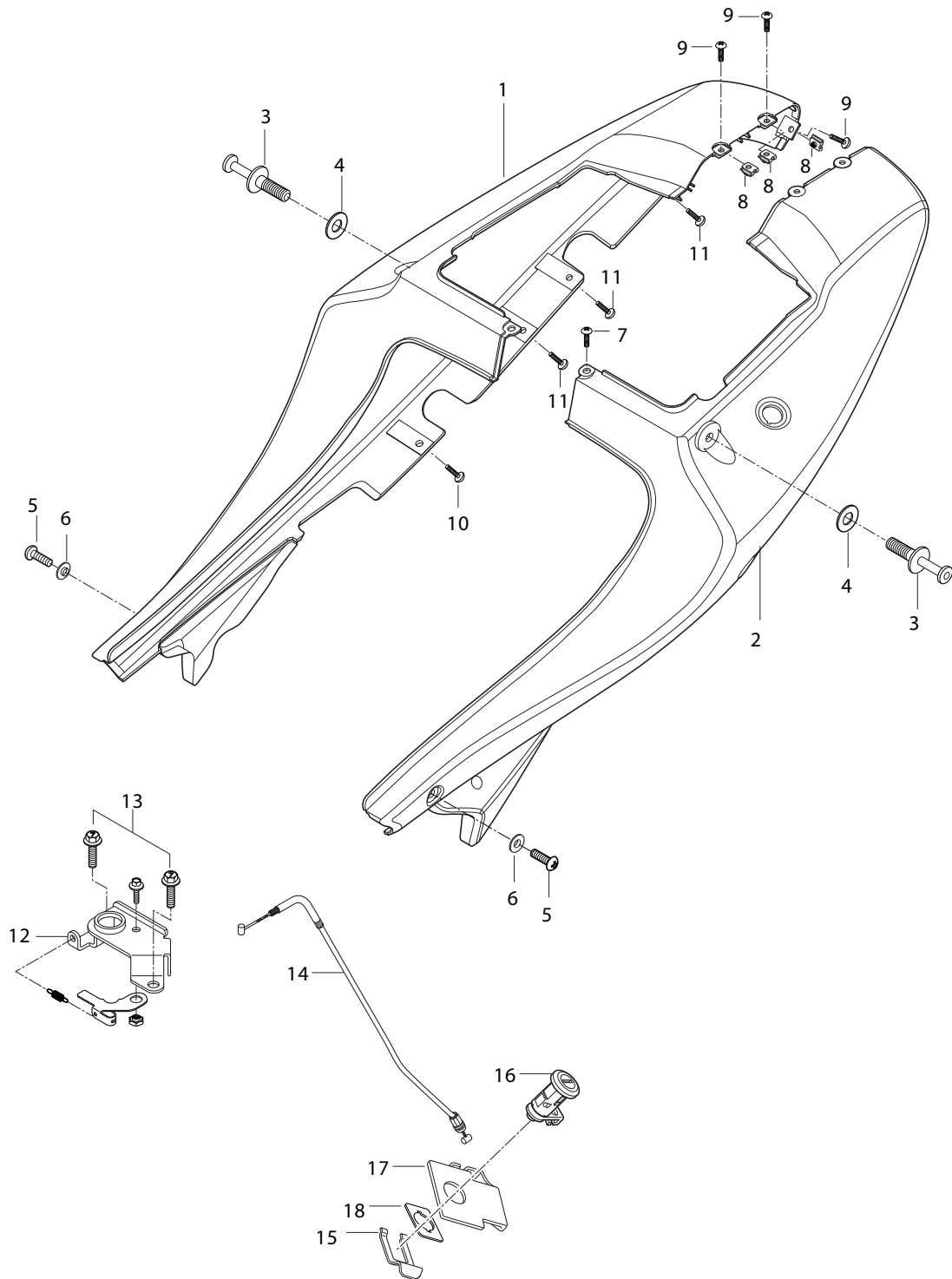


FIG 33. SIDE COVER(2008)

REF. NO.	GT250R FI - 2008 7EU01/7FO01/7GO01/7SO01	GT250RN EI - 2009 9EU01/9FO01/9GO01/9SO01/9AT 9US02	PARTS NAME	Q'TY	REMARKS	REC.Q'TY 100 UNIT (PCS)
1	47111HM8104		COVER, side R	1		5
2	47211HM8105		COVER, side L	1		5
3	47113HM8101		BOLT, luggage support	2		
4	08322-11088		WASHER, luggage bolt & frm side	2		
5	02142-06166		SCREW, frm side front	2		
6	09169-06032		WASHER, frm side front	2		
7	02142-06166		SCREW, frm side center	1		
8	09148-05004		NUT, frm side rear up	3		
9	03241-05125		SCREW, frm side rear up	3		
10	02142-06206		SCREW, frm side low & frm	2		
11	02142-05166		SCREW, frm side low & rear fender	6		
12	45220HM8101		LOCK ASS'Y, seat striker rear	1		
13	01517-06128		BOLT, seat striker (M6X16)	2		
14	45280H-35C00		CABLE ASS'Y, seat lock	1		
15	92414HF4500		LOCK, key set	1		
16	45700HG2630		LOCK ASS'Y, seat	1		
17	45381HG2601		GUIDE, seat lock cable	1		
18	92413HF4501		WASHER, side cover			

FIG 33 (2009)

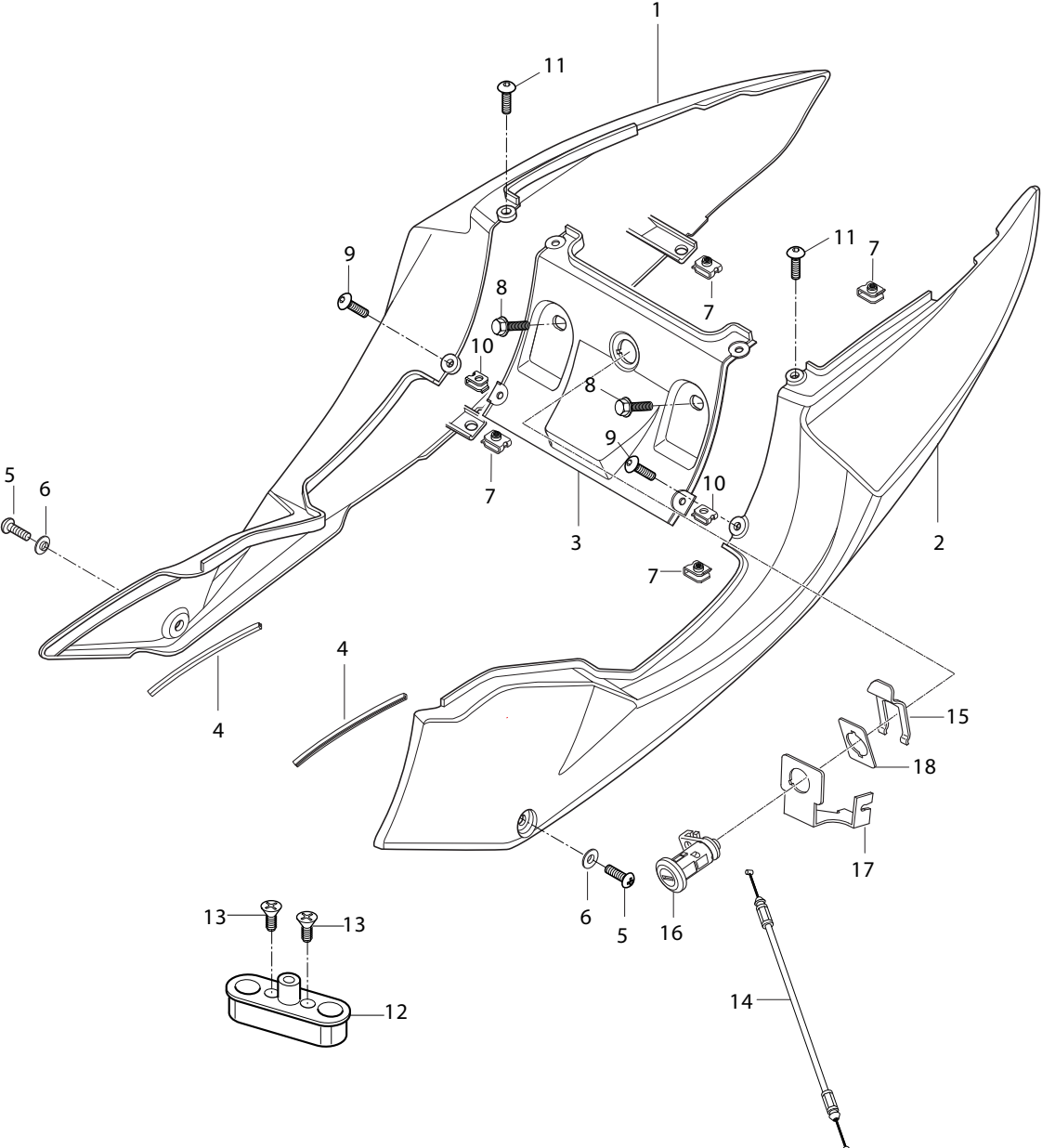
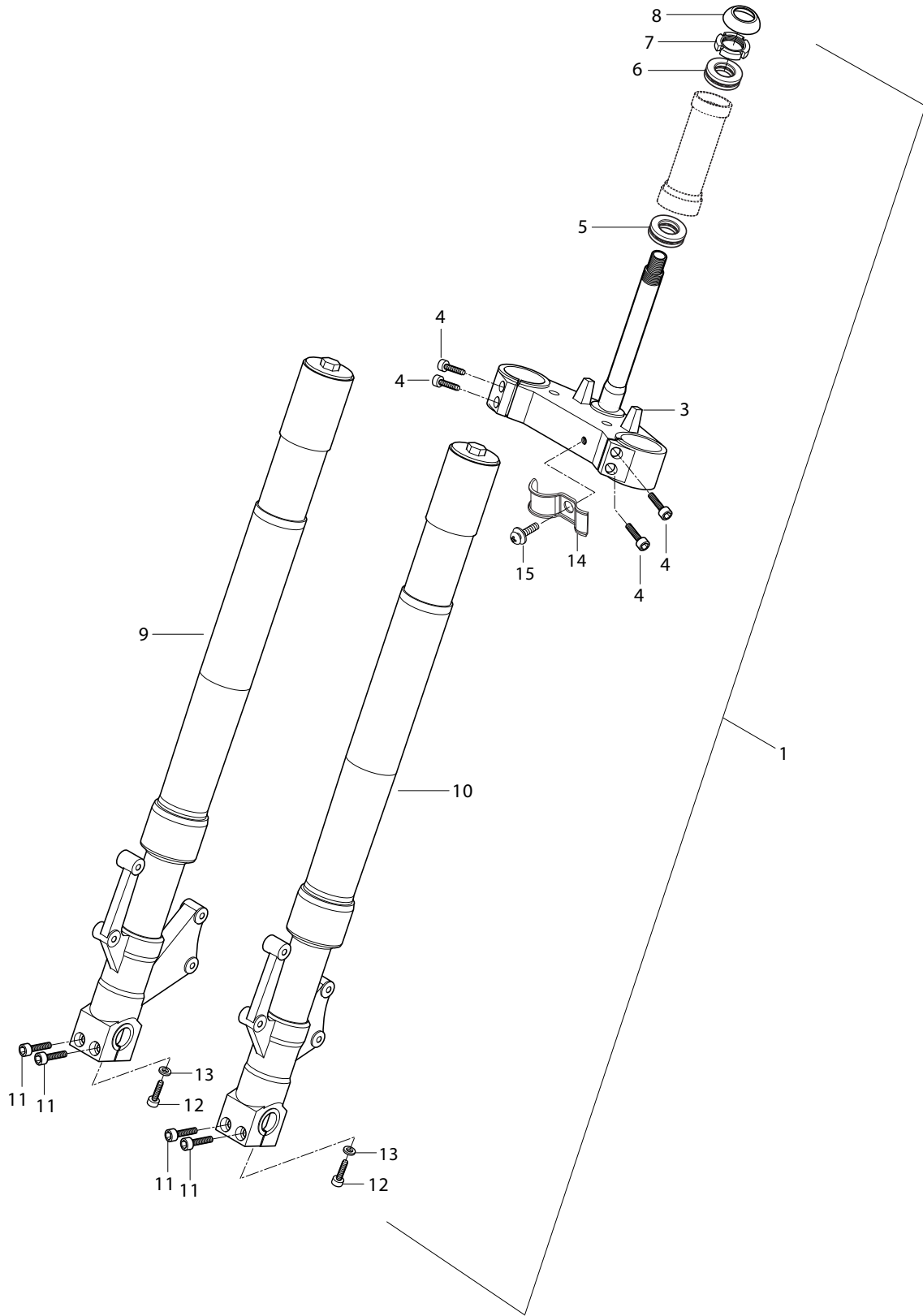


FIG 33. SIDE COVER(2009)

REF. NO.	GT250R FI - 2008 7EU01/7FO01/7GO01/7SO01	GT250RN EI - 2009 9EU01/9FO01/9GO01/9SO01/9AT 9US02	PARTS NAME	Q'TY	REMARKS	REC.Q'TY 100 UNIT (PCS)	
1		47111H99700CBK	47111H99700CBK	COVER, side R	1	BLACK	
1		47111H99700CDR	47111H99700CDR	COVER, side R	1	RED	
1		47111H99700CWP	47111H99700CWP	COVER, side R	1	WHITE	
2		47211H99700CBK	47211H99700CBK	COVER, side L	1	BLACK	
2		47211H99700CDR	47211H99700CDR	COVER, side L	1	RED	
2		47211H99700CWP	47211H99700CWP	COVER, side L	1	WHITE	
3		47311H99700CBK	47311H99700CBK	COVER, center	2	BLACK	
3		47311H99700CDR	47311H99700CDR	COVER, center	2	RED	
3		47311H99700CWP	47311H99700CWP	COVER, center	2	WHITE	
4		94631H99700	94631H99700	MOLDING, side cover	2		
5		09106H06150	09106H06150	SCREW, frame side front	2		
6		09169H06078	09169H06078	WASHER, frame side front	2		
7		09148-06020	09148-06020	NUT, side cover lower & RR fender FT lower	4		
8		01517-06258	01517-06258	BOLT, front seat	2		
9		09106H05150	09106H05150	SCREW, center cover & side cover lower	2		
10		09148H05029	09148H05029	NUT, center cover & side cover lower	2		
11		09106H06150	09106H06150	SCREW, frame side cover & center cover upper	2		
12		45220HM8101	45220HM8101	LOCK ASS'Y, seat striker rear	1		
13		02122-06308	02122-06308	SCREW, seat striker	2		
14		45280-35C00	45280-35C00	CABLE COMP, seat lock	1		
15		92414HF4500	92414HF4500	LOCK, key set & seat lock guide	1		
16		45700HG2630	45700HG2630	LOCK ASS'Y, seat	1		
17		45381HG2601	45381HG2601	GUIDE, seat lock cable	1		
18		92413HF4501	92413HF4501	WASHER, key set & seat lock guide	1		

FIG.34

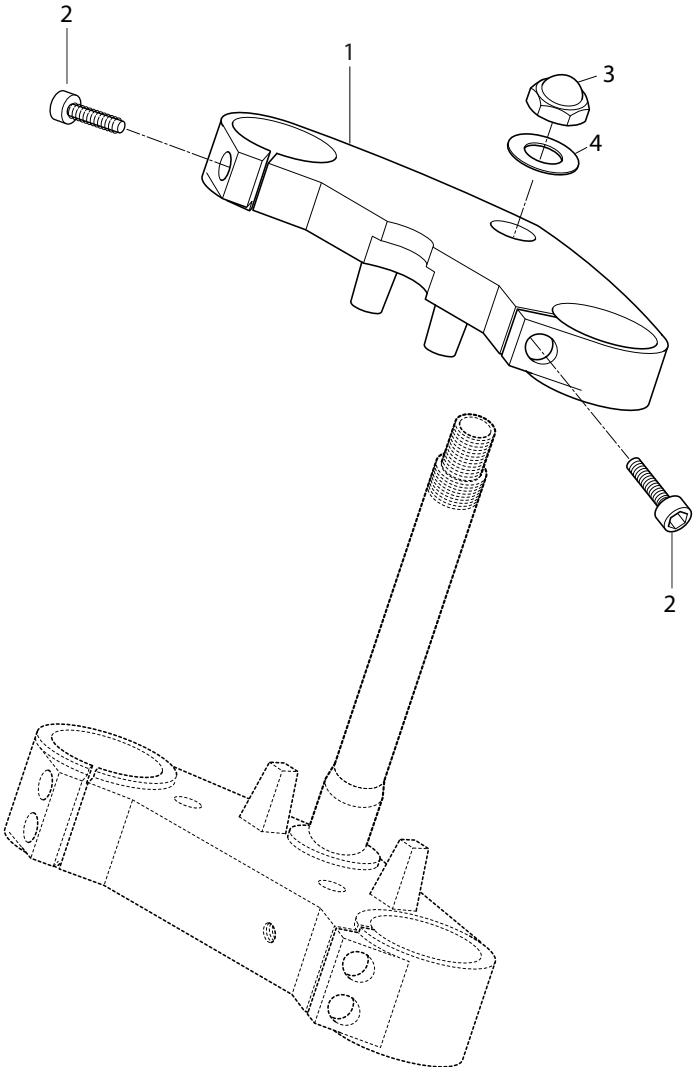


FWD

FIG 34. FRONT FORK

REF. NO.	GT250R FI - 2008		GT250RN EI - 2009		PARTS NAME	QTY	REMARKS	REC.QTY
	7EU01/7FO01/7GO01/7SO01	9EU01/9FO01/9GO01/9SO01/9AT	9US02					100 UNIT
1	51100HR8350120	51100HR8350120	51100HR8350120		FORK ASS`Y, front	1		5
3	51410HP9204HPA	51410HP9204HPA	51410HP9204HPA		BRACKET COMP, front fork under	1		5
4	07110-08258	07110-08258	07110-08258		BOLT, front fork under bracket	4		
5	09265H25001	09265H25001	09265H25001		BEARING, steering lower	1		
6	09265H28001	09265H28001	09265H28001		BEARING, steering upper	1		
7	51643HG5801	51643HG5801	51643HG5801		DUST SEAL, steering upper	1		
8	51631HN9101	51631HN9101	51631HN9101		NUT, steering stem	1		
9	51210HR8350120	51210HR8350120	51210HR8350120		DAMPER ASSY, front fork R	1		5
10	51220HR8350120	51220HR8350120	51220HR8350120		DAMPER ASSY, front fork L	1		5
11	09106H08458	09106H08458	09106H08458		BOLT, axle grip	4		
12	07110-08256	07110-08256	07110-08256		BOLT, fork clip	2		
13	90544H93B00	90544H93B00	90544H93B00		WASHER, spacer	2		
14	59266HM8100	59266HM8100	59266HM8100		CLAMP, brake hose & clamp	1		
15	02112-06168	02112-06168	02112-06168		SCREW, ft brake hose & speedometer	1		

FIG 35



FWD ←

FIG 35. STEERING HEAD

REF. NO.	GT250R FI - 2008 7EU01/7FO01/7GO01/7SO01	GT250RN EI - 2009 9EU01/9FO01/9GO01/9SO01/9AT 9US02	PARTS NAME	QTY	REMARKS	REC.QTY 100 UNIT (PCS)
1	51311HP940003P	51311H99700AZ1	51311H99700AZ1	BRACKET, front fork upper	1	5
2	07110-08258	07110-08258	07110-08258	BOLT, front fork upper bracket	2	55
3	09159H22091	09159H22091	09159H22091	NUT, steering upper	1	
4	09160H22032	09160H22032	09160H22032	WASHER, str upper	1	

FIG 36

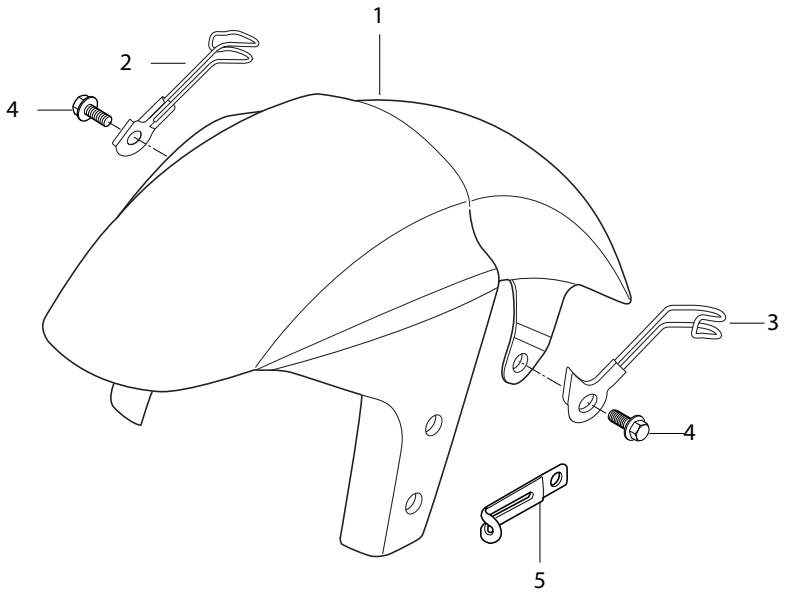


FIG 36. FRONT FENDER

REF. NO.	GT250R FI - 2008	GT250RN EI - 2009		PARTS NAME	QTY	REMARKS	REC.QTY
	7EU01/7FO01/7GO01/7SO01	9EU01/9FO01/9GO01/9SO01/9AT	9US02				100 UNIT
1	53111HM8100	53111HM8100	53110HN9180	FENDER, front(color:0BK,0DR,0MO)	1		5
2	59430HN9100	59430HN9100	59430HN9100	CLAMP COMP, front brake hose R	1		5
3	59440HN9100	59440HN9100	59440HN9100	CLAMP COMP, front brake hose L	1		5
4	01517-08126	01517-08126	01517-08126	BOLT, front brake hose clamp R/L	1		10
5	09404-08403	09404-08403	09404-08403	CLAMP, speed sensor	1		
6	09169H06078	09169H06078	09169H06078	WASHER, front fender	4		

FIG 37

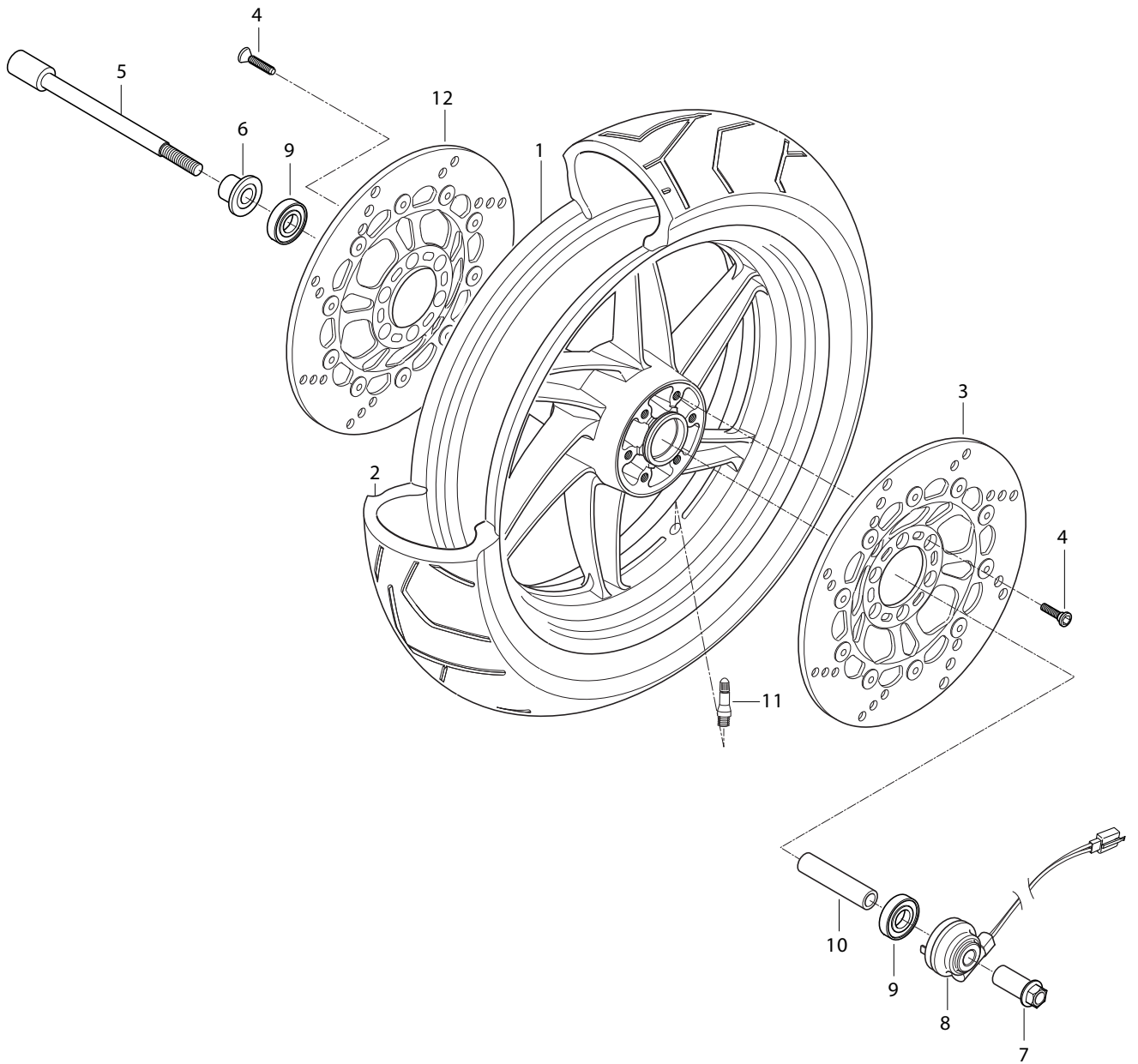
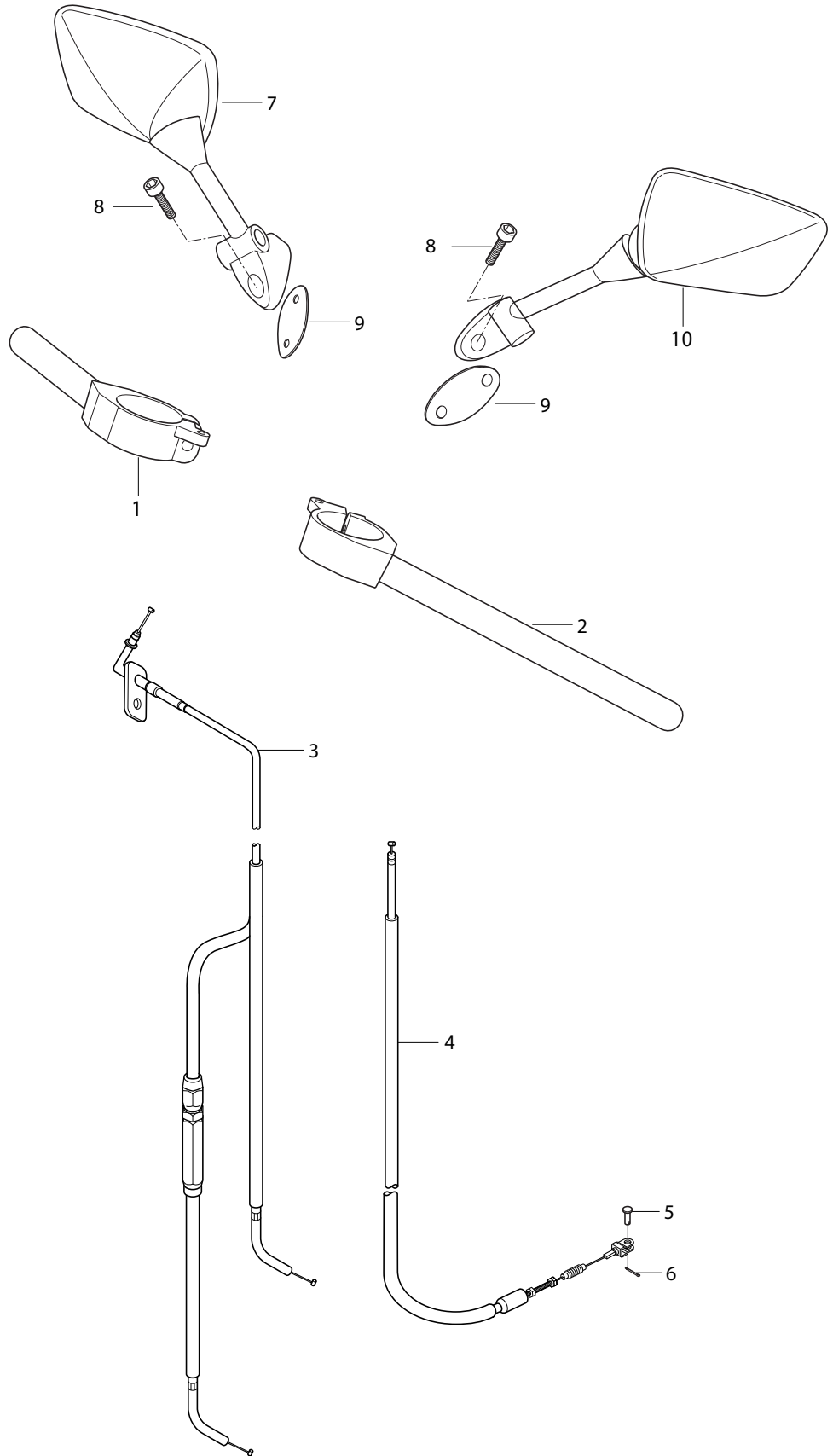


FIG 37. FRONT WHEEL

REF. NO.	GT250R FI - 2008	GT250RN EI - 2009	PARTS NAME	QTY	REMARKS	REC.QTY
	7EU01/7FO01/7GO01/7SO01	9EU01/9FO01/9GO01/9SO01/9AT 9US02				100 UNIT
1	54140SM8102120	54140SM8102120	54140SM8102120	WHEEL, front (J17xMT3.0)	1	
2	55101HR8300	55101HR8300	55101HR8300	TIRE COMP, front (120/60-17 55W)	1	
3	59211HM8100	59211HM8100	59211HM8100	DISC COMP, front L	1	
4	59421-03A01	59421-03A01	59421-03A01	BOLT, front brake disc	12	
5	54711HG5101	54711HG5101	54711HG5101	AXLEL, front	1	
6	54740HM8101	54740HM8101	54740HM8101	SPACER COMP, front axle R	1	
7	54721HM8100	54721HM8100	54721HM8100	NUT, front axle	1	
8	34860HP9201	34860HP9201	34860HP9201	SENSOR ASS'Y, speedometer	1	
9	08124-63027	08124-63027	08124-63027	BEARING, front hub	2	
10	54731HM8100	54731HM8100	54731HM8100	SPACER, front hub	1	
11	55220-41D10	55220-41D10	55220-41D10	VALVE ASS'Y, wheel rim	1	
12	59220HM8160	59220HM8160	59220HM8160	DISC COMP, F/T R	1	

FIG 38



FWD ←

FIG 38. HANDLE BAR

REF. NO.	GT250R FI - 2008	GT250RN EI - 2009		PARTS NAME	QTY	REMARKS	REC.QTY
	7EU01/7FO01/7GO01/7SO01	9EU01/9FO01/9GO01/9SO01/9AT	9US02				(PCS)
1	56110HP9203	56110HP9203	56110HP9203	HANDLE BAR COMP. R	1		5
2	56120HP9204	56120HP9204	56120HP9204	HANDLE BAR COMP. L	1		5
3	58300HR8600	58300HR8600	58300HR8600	CABLE ASS'Y, throttle	1		5
4	58200HR8300	58200H98600	58200H98600	CABLE ASS'Y CLUTCH	1		5
5	09200-06004	09200-06004	09200-06004	PIN, clutch cable	1		5
6	04111-20158	04111-20158	04111-20158	COTTER PIN, clutch	1		5
7	56500HP9200	56500HP9200	56500HP9200	MIRROR ASS'Y, rear view R	1		30
8	07110-06205	07110-06205	07110-06205	BOLT, mirror assy	4		5
9	56503HP9200	56503HP9200	56503HP9200	CUSHION, rear view mirror	2		
10	56600HP9200	56600HP9200	56600HP9200	MIRROR ASS'Y, rear view L	1		30
11	56501HP9200	56501HP9200	56501HP9260	MIRROR SET	1		10

FIG.39

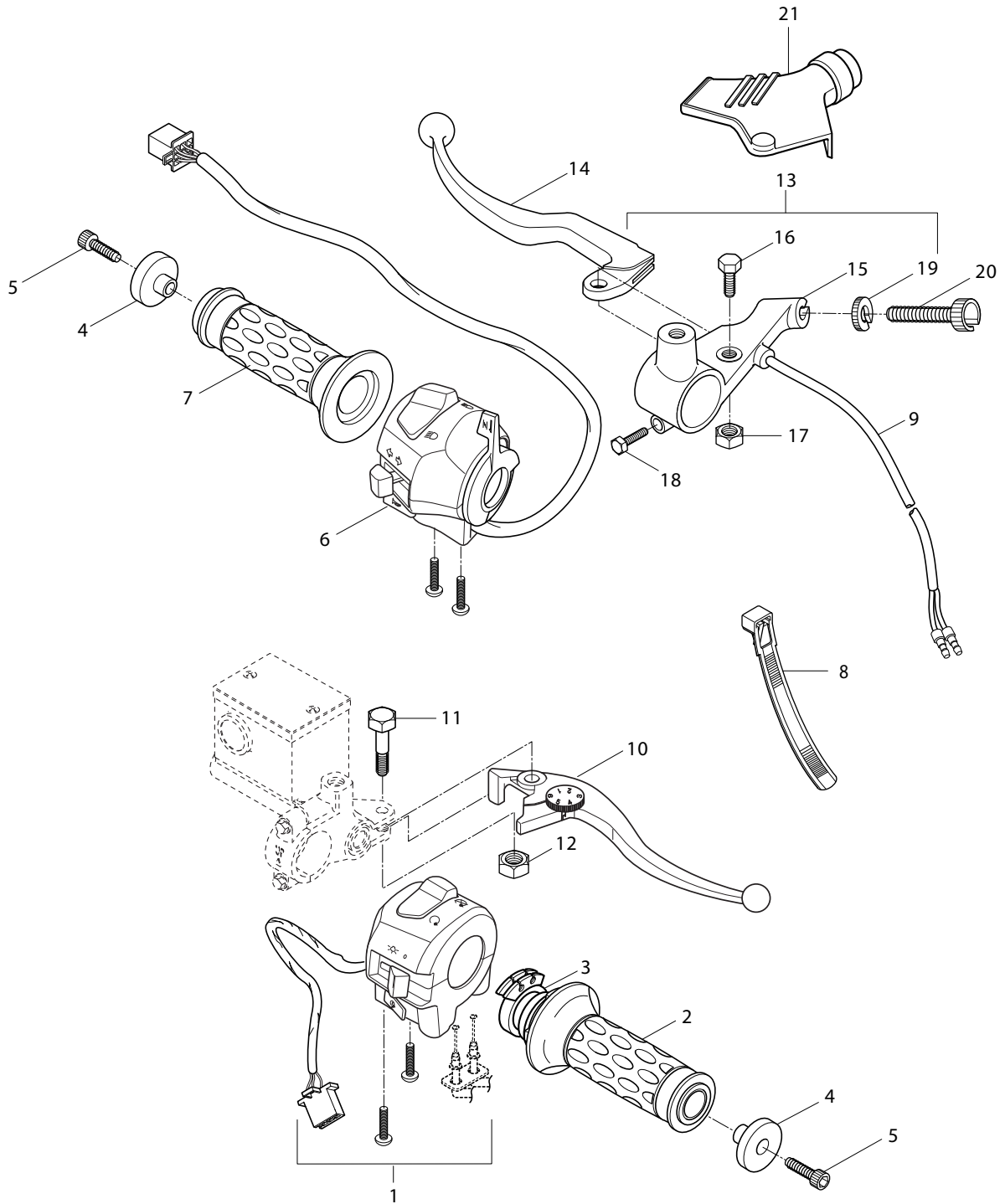


FIG 39. HANDLE SWITCH

REF. NO.	GT250R FI - 2008		GT250RN EI - 2009		PARTS NAME	Q'TY	REMARKS	REC.Q'TY
	7EU01/7FO01/7GO01/7SO01	9EU01/9FO01/9GO01/9SO01/9AT	9US02					100 UNIT
								(PCS)
1	37200HR8350	37200HR8350	37200HR8350	37200HR8300	SWITCH ASSY, handle R	1		5
2	57110HP9300	57110HP9300	57110HP9300	57110HP9300	GRIP COMP, throttle	1		5
3	57113H93B00	57113H93B00	57113H93B00	57113H93B00	COVER, throttle grip	1		
4	56271HF4501PLA	56271HF4501PLA	56271HF4501PLA	56271HF4501PLA	BALANCER	2		5
5	07110-08208	07110-08208	07110-08208	07110-08208	BOLT, handle balancer	2		5
6	37400HR9700	37400HR9700	37400HR9700	37400HR9700	SWITCH ASSY, handle L	1		
7	57211HG5800	57211HG5800	57211HG5800	57211HG5800	GRIP COMP, L	1		5
8	09407-14403	09407-14403	09407-14403	09407-14403	CLAMP, handle switch harness	2		5
9	57460HJ8250	57460HJ8250	57460HJ8250	57460HJ8250	SWITCH ASSY, clutch lever	1		10
10	57421HN9100	57421HN9100	57421HN9100	57421HN9100	LEVER, brake	1		
10-1	57300HN9102	57300HN9102	57300HN9102	57300HN9102	LEVER ASS'y, brake	1		
11	57431H05D00	57431H05D00	57431H05D00	57431H05D00	BOLT, brake lever pivot	1		
12	08319-21065	08319-21065	08319-21065	08319-21065	NUT, brake lever pivot	1		
13	57500HN9102	57500HN9102	57500HN9102	57500HN9102	LEVER ASSY, clutch	1		5
14	57620HN9101	57620HN9101	57620HN9101	57620HN9101	CLUTCH LEVER	1		5
15	57511HN9101	57511HN9101	57511HN9101	57511HN9101	HOLDER, clutch lever	1		5
16	57431H93B00	57431H93B00	57431H93B00	57431H93B00	BOLT, clutch lever pivot	1		5
17	08319-21065	08319-21065	08319-21065	08319-21065	NUT, brake lever pivot	1		
18	57451HG5800	57451HG5800	57451HG5800	57451HG5800	BOLT, clutch lever holder	1		
19	57442H93B00	57442H93B00	57442H93B00	57442H93B00	LOCK NUT	1		5
20	57441H93B00	57441H93B00	57441H93B00	57441H93B00	ADJUSTER, wire	1		
21	57661HJ8200	57661HJ8200	57661HJ8200	57661HJ8200	COVER, clutch lever	1		

FIG.40

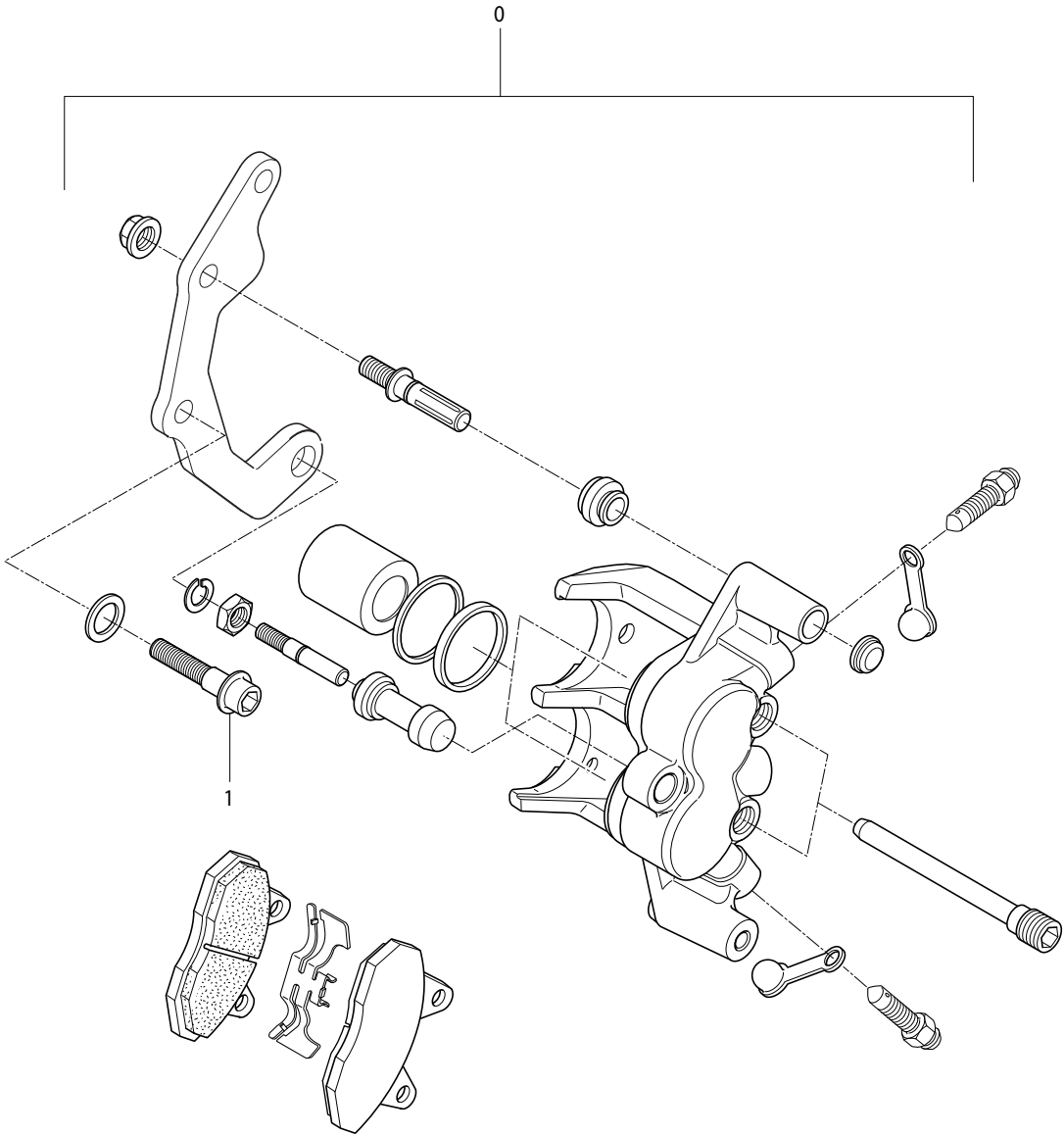


FIG 40. CALIPER LH

REF. NO.	GT250R FI - 2008 7EU01/7FO01/7GO01/7SO01	GT250RN EI - 2009 9EU01/9FO01/9GO01/9SO01/9AT 9US02	PARTS NAME	QTY	REMARKS	REC.QTY 100 UNIT (PCS)
0	59300HP9500	59300HP9500	59300HP9500	CALIPER ASS`Y, L	1	5
1	07120-08308	07120-08308	07120-08308	BOLT, caliper	2	
2	59301HP9500	59301HP9500	59301HP9500	PAD SET	1	50

FIG.40-1

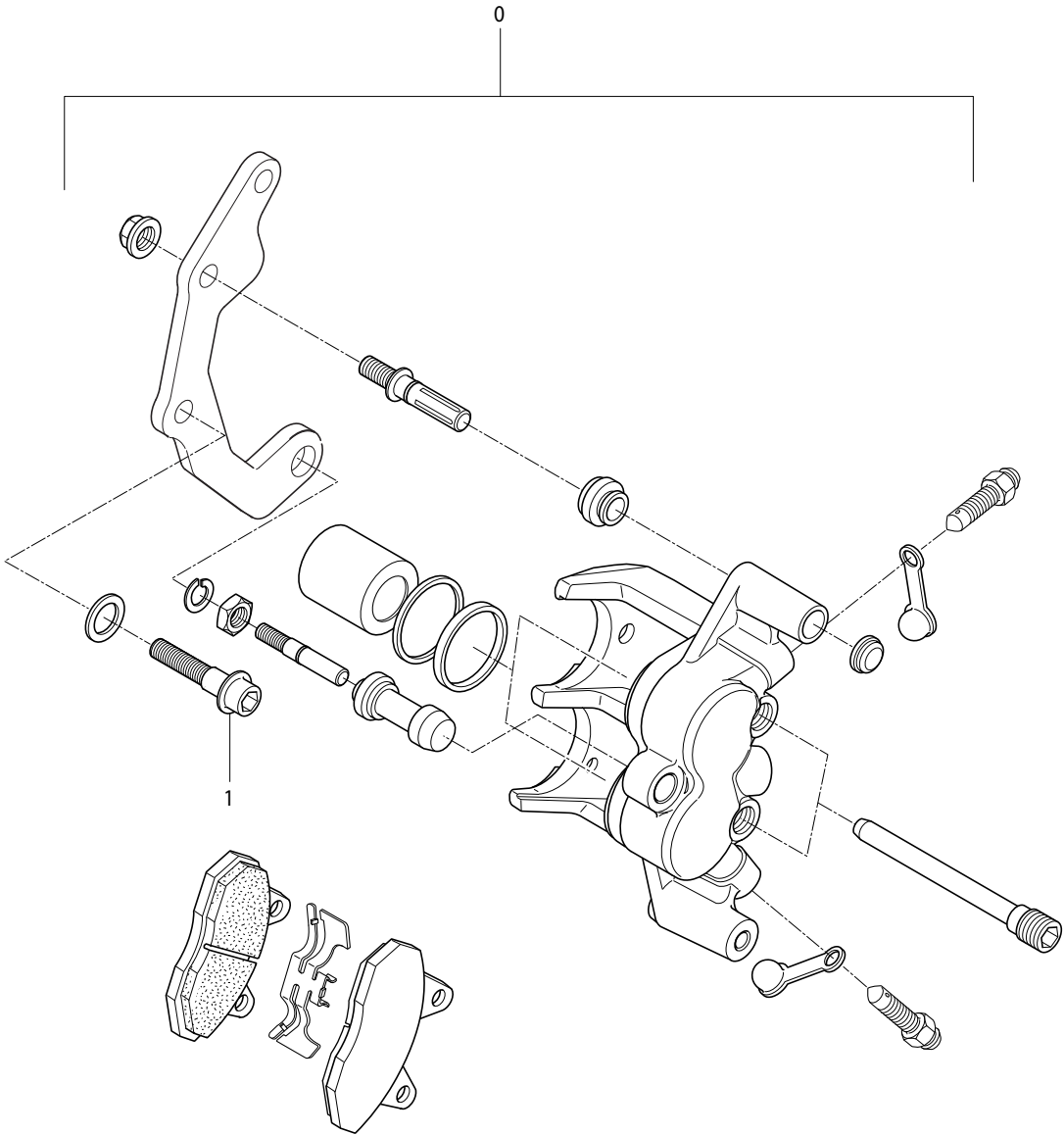


FIG 40-1. CALIPER RH

REF. NO.	GT250R FI - 2008 7EU01/7FO01/7GO01/7SO01	GT250RN EI - 2009 9EU01/9FO01/9GO01/9SO01/9AT 9US02	PARTS NAME	QTY	REMARKS	REQTY 100 UNIT (PCS)
0	59400HN9100	59400HN9100	59400HN9100	1	CALIPER ASS'Y, R	5
1	59301HP9500	59301HP9500	59301HP9500	1	PAD SET	

FIG.41

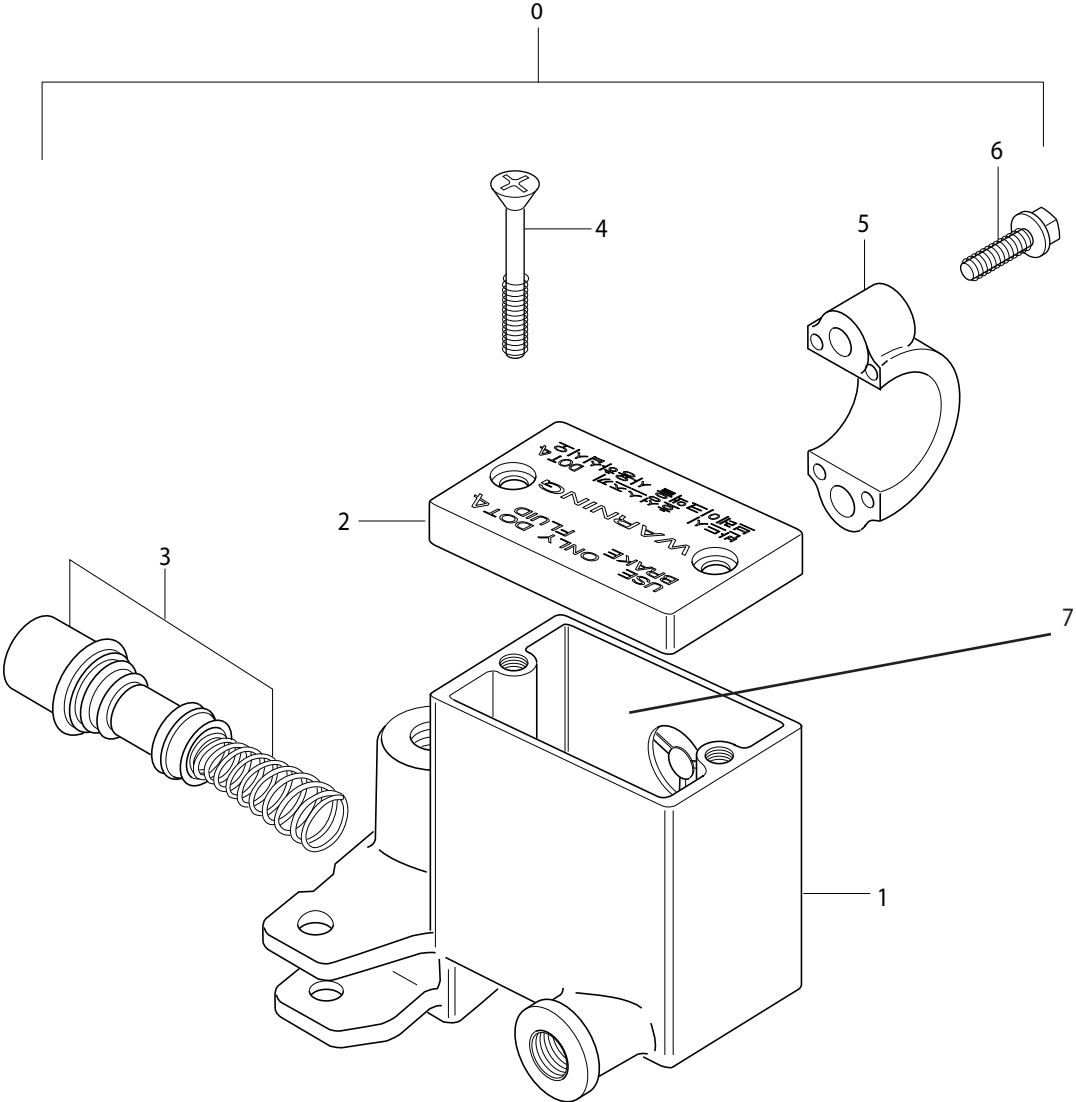


FIG 41. MASTER CYLINDER

REF. NO.	GT250R FI - 2008 7EU01/7FO01/7GO01/7SO01	GT250RN EI - 2009 9EU01/9FO01/9GO01/9SO01/9AT 9US02	PARTS NAME	QTY	REMARKS	REC.QTY 100 UNIT (PCS)	
0	59600HP9201	59600HP9201	59600HP9201	CYLINDER ASSY, front master	1		5
1	59687HM8162	59687HM8162	59687HM8162	BODY	1	NOT SALE	5
2	59669SN9110	59669SN9110	59669SN9110	CAP SET, Master Cylinder	1		
2-A	59669HN9100	59669HN9100	59669HN9100	CAP, Master Cylinder	1		
2-B	59511HP9200	59511HP9200	59511HP9200	PLATE, reservoir cap	1		
3	59610HN9100	59610HN9100	59610HN9100	PISTON, SET	1		
4	59691-35C00	59691-35C00	59691-35C00	SCREW	2		
5	59671-35C00	59671-35C00	59671-35C00	HOLDER	1		
6	01107-35C00	01107-35C00	01107-35C00	BOLT, holder	2		
7	59667HP9200	59667HP9200	59667HP9200	DIAPHRAGM	1		

FIG.42

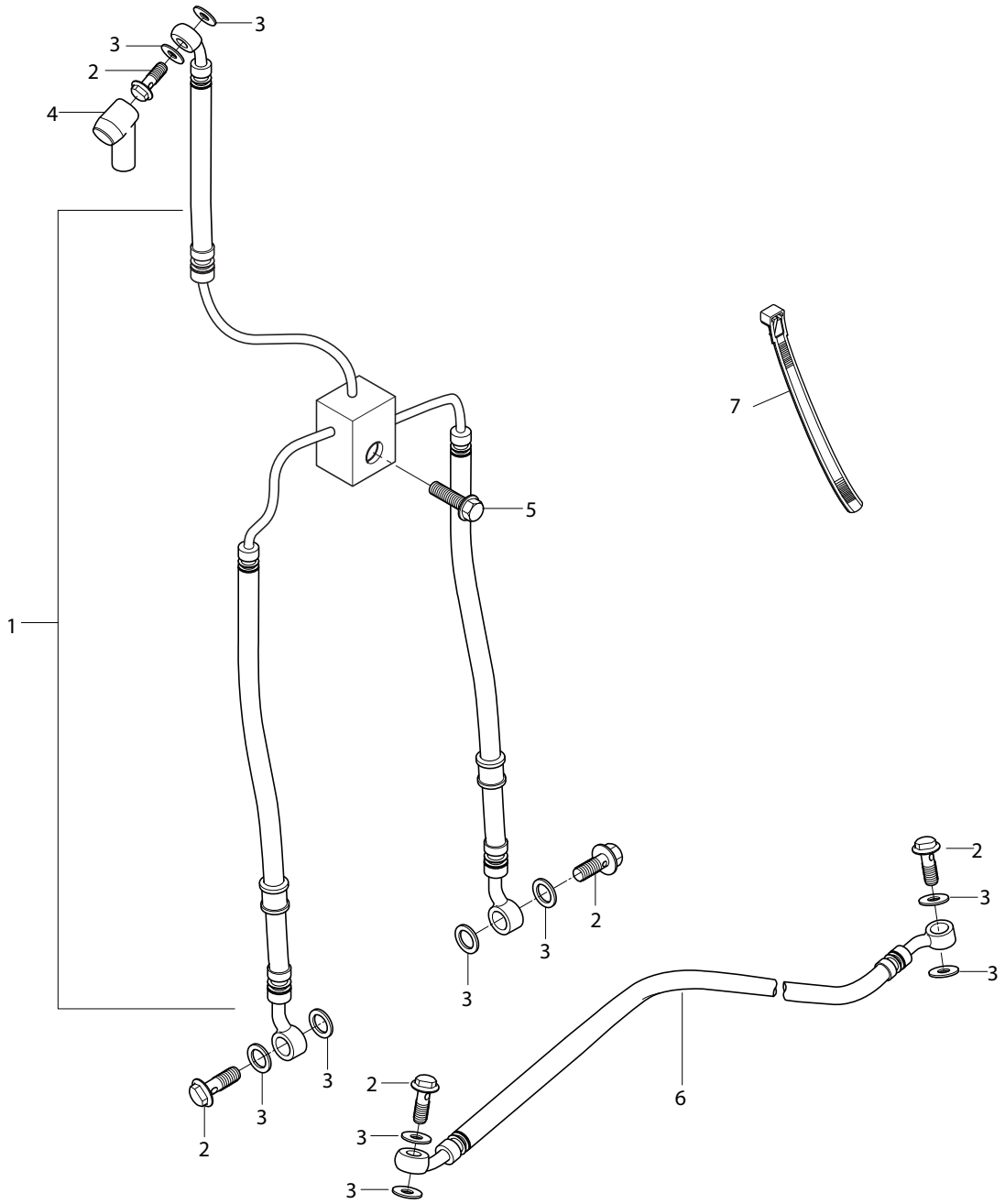


FIG 42. FRONT BRAKE HOSE

REF. NO.	GT250R FI - 2008	GT250RN EI - 2009		PARTS NAME	QTY	REMARKS	REC.QTY
	7EU01/7FO01/7GO01/7SO01	9EU01/9FO01/9GO01/9SO01/9AT	9US02				100 UNIT
1	59480HP9400	59480HP9400	59480HP9400	HOSE COMP, front brake	1		
2	09360-10039	09360-10039	09360-10039	BOLT, brake hose	5		
3	09161-10005	09161-10005	09161-10005	WASHER, brake hose	10		
4	59711H49002	59711H49002	59711H49002	BOOT, brake hose	1		
5	01547-06303	01547-06303	01547-06303	BOLT, front brake hose	1		
6	69480HM8104	69480HM8104	69480HM8104	HOSE COMP, rear brake	1		
7	09407-20406	09407-20406	09407-20406	CLAMP, speed sensor	3		

FIG.43

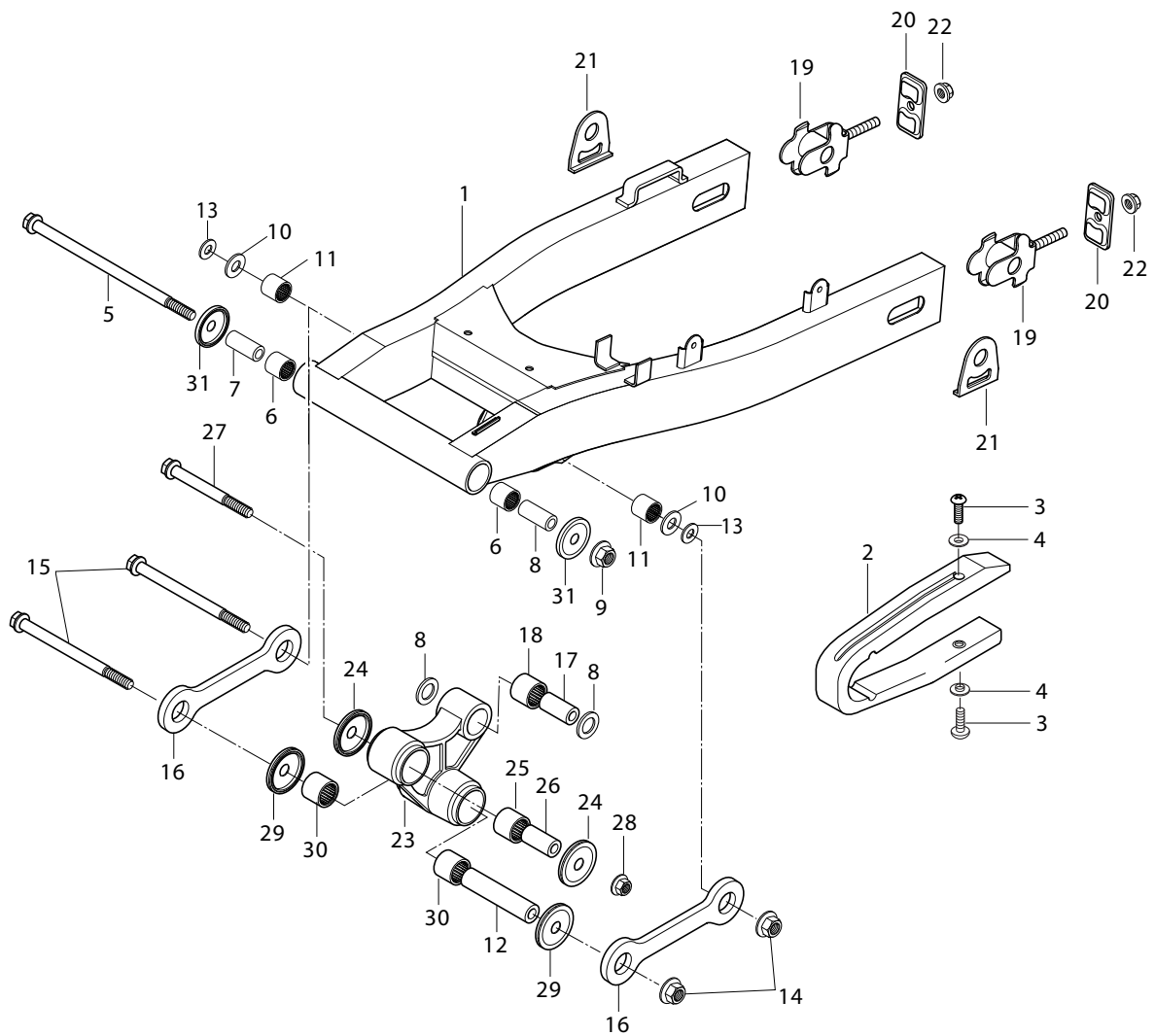


FIG 43. SWINGING ARM

REF. NO.	GT250R FI - 2008		GT250RN EI - 2009		PARTS NAME	Q'TY	REMARKS	REC.Q'TY
	7EU01/7FO01/7GO01/7SO01	9EU01/9FO01/9GO01/9SO01/9AT	9US02					100 UNIT
1	61100SM8105120	61100H98600120	61100H98600120	61100H98600120	SWINGARM COMP, rear	1		5
2	61273HM8101	61273HM8101	61273HM8101	61273HM8101	BUFFER, chain touch defense	1		
3	02142-06166	02142-06166	02142-06166	02142-06166	BOLT, chain touch defense buffer	2		
4	09169H06011	09169H06011	09169H06011	09169H06011	WASHER, chain touch defense buffer	2		5
5	61211HM8100	61211HM8100	61211HM8100	61211HM8100	SHAFT, rear swingarm pivot	1		5
6	09263-22017	09263-22017	09263-22017	09263-22017	BEARING, rear swingarm pivot	2		
7	61251HM8100	61251HM8100	61251HM8100	61251HM8100	SPACER, rear swingarm pivot bearing	2		
8	08211-14321	08211-14321	08211-14321	08211-14321	WASHER, rear cushion rod	2		5
9	08319-31128	08319-31128	08319-31128	08319-31128	NUT, rear swingarm pivot	1		
10	09283-20031	09283-20031	09283-20031	09283-20031	SEAL, rear cushion rod	2		
11	09263H20003	09263H20003	09263H20003	09263H20003	BEARING, rear cushion rod	2		5
12	09180H14001	09180H14001	09180H14001	09180H14001	SPACER, rear cushion rod	1		
13	08211-14321	08211-14321	08211-14321	08211-14321	WASHER, rear cushion rod	2		
14	09159H14008	09159H14008	09159H14008	09159H14008	NUT, rear cushion rod	2		
15	09103H14001	09103H14001	09103H14001	09103H14001	BOLT, rear cushion rod	2		
16	62641HM8100	62641HM8100	62641HM8100	62641HM8100	ROD, rear cushion lever	2		
17	09180H10073	09180H10073	09180H10073	09180H10073	SPACER, rear cushion lever rear	1		
18	09263H17002	09263H17002	09263H17002	09263H17002	BEARING, rear cushion lever rear	1		
19	61410HJ8200	61410HJ8200	61410HJ8200	61410HJ8200	ADJUSTER COMP, chain	2		
20	61421-01000	61421-01000	61421-01000	61421-01000	PLATE, chain adjuster guide	2		
21	64712HJ8200	64712HJ8200	64712HJ8200	64712HJ8200	WASHER, chain adjuster	2		
22	08316-26108	08316-26108	08316-26108	08316-26108	NUT, chain adjuster	2		
23	62611HG5800	62611HG5800	62611HG5800	62611HG5800	LEVER, rear cushion	1		
24	09284H33003	09284H33003	09284H33003	09284H33003	DUST SEAL, rear cushion lever front	2		

FIG.43

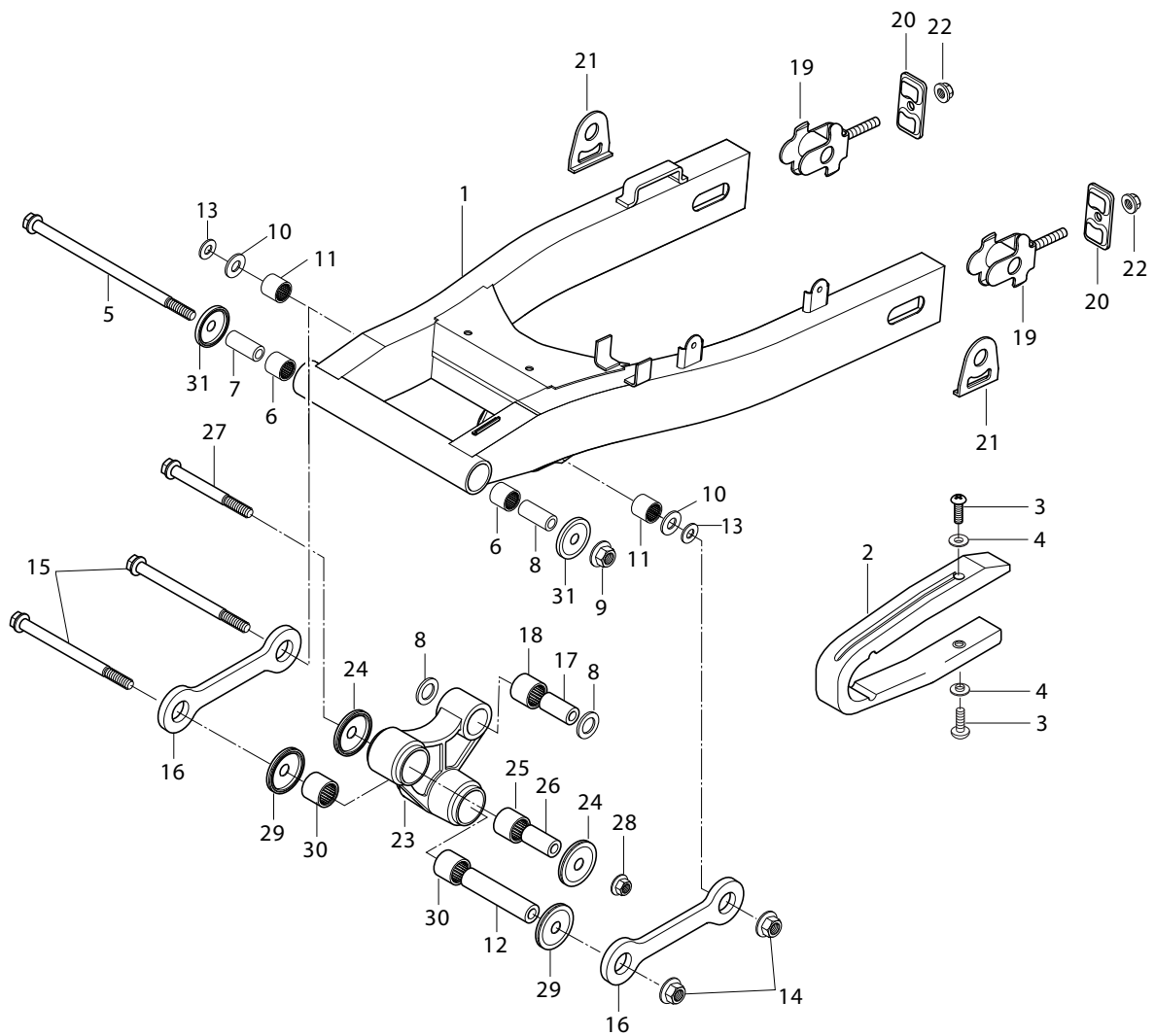


FIG 43. SWINGING ARM

REF. NO.	GT250R FI - 2008	GT250RN EI - 2009		PARTS NAME	QTY	REMARKS	REC.QTY
	7EU01/7FO01/7GO01/7SO01	9EU01/9FO01/9GO01/9SO01/9AT	9US02				100 UNIT
25	09263-20073	09263-20073	09263-20073	BEARING, rear cushion lever front	1		
26	09180H12001	09180H12001	09180H12001	SPACER, rear cushion lever front	2		
27	09103H12046	09103H12046	09103H12046	BOLT, rear cushion lever front	1		
28	08319-31128	08319-31128	08319-31128	NUT, rear cushion lever front	1		
29	09284H32001	09284H32001	09284H32001	SEAL, rear cushion lever center	2		
30	09263H20003	09263H20003	09263H20003	BEARING, rear cushion lever center	2		
31	61262-45002	61262-45002	61262-45002	COVER, rear swingarm pivot	2		
32	62611HG5800HPA	62611HG5800HPA	62611HG5800HPA	LEVER ASS'Y, rear cushion	1		
	68320HM8150PL	68320HM8150PL	68320HM8150PL	LABEL, chain case for 7EU01	1		
	68320HM8160PL	68320HM8160PL	68320HM8160PL	LABEL, chain case for 7GO01			
	68320HM8180PL	68320HM8180PL	68320HM8180PL	LABEL, chain case for 7SO01			
	68320HM8190PL	68320HM8190PL	68320HM8190PL	LABEL, chain case for 7FO01			

FIG.44 (2008)

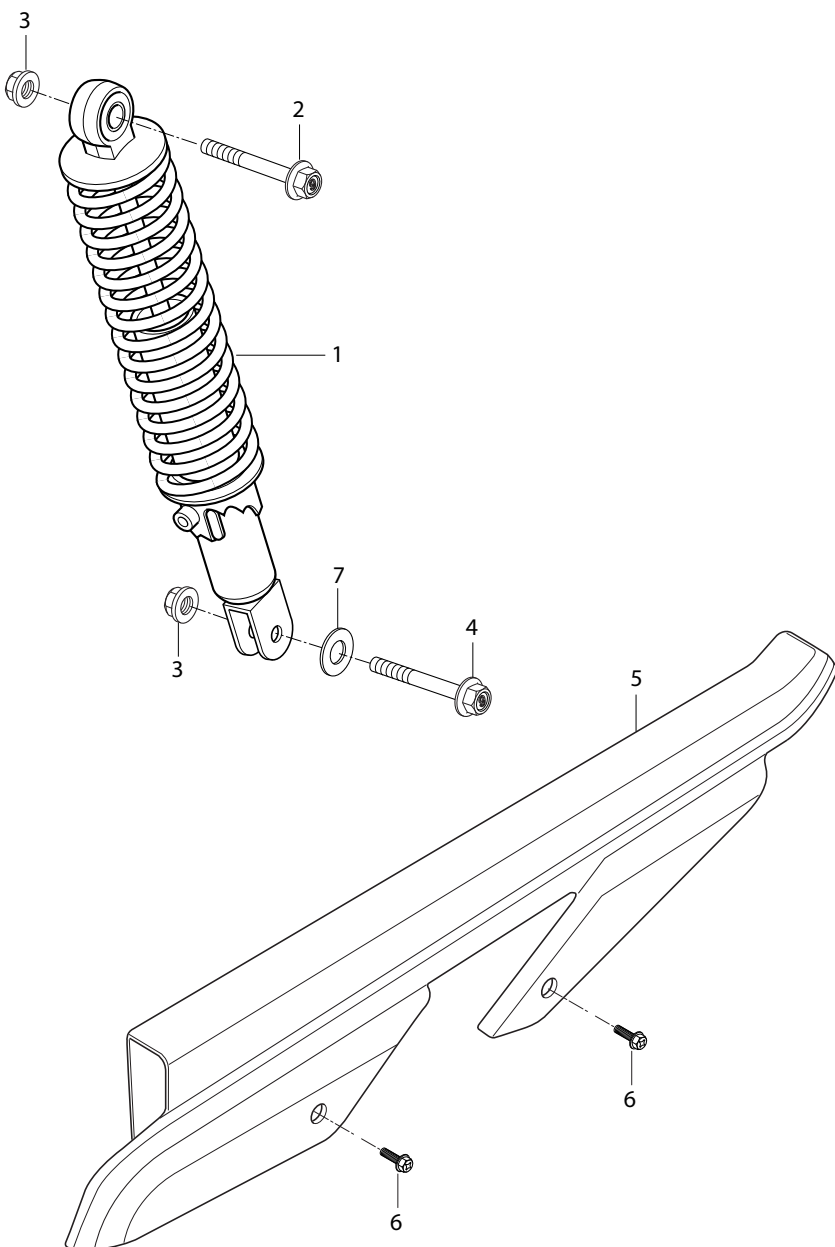


FIG 44. REAR SHOCK ABSORBER(2008)

REF. NO.	GT250R FI - 2008 7EU01/7FO01/7GO01/7SO01	GT250RN EI - 2009 9EU01/9FO01/9GO01/9SO01/9AT 9US02	PARTS NAME	QTY	REMARKS	REC.QTY 100 UNIT (PCS)
1	62100HR8301		SHOCK ABSORBER ASS`Y rear	1		5
2	09103H10101		BOLT, rear shock absorber upper	1		
3	08319-31108		NUT, rear shock absorber upper	2		
4	09103H10101		BOLT, rear shock absorber lower	1		
5	61310HM8102		CASE COMP, chain	1		5
6	09111H06066		BOLT, chain case	2		
7	09160-10001		WASHER, rear shock absorber lower	1		

FIG.44 (2009)

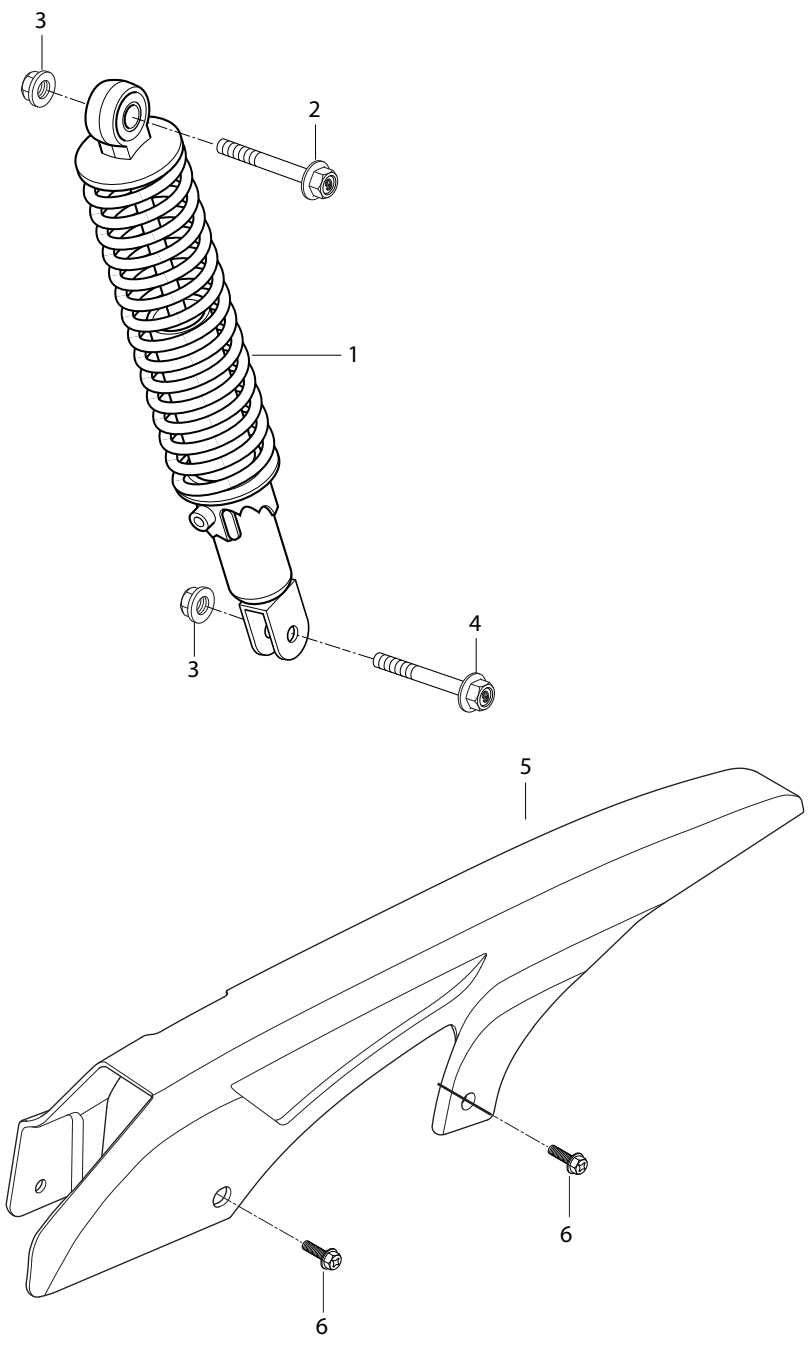


FIG 44. REAR SHOCK ABSORBER(2009)

REF. NO.	GT250R FI - 2008 7EU01/7FO01/7GO01/7SO01	GT250RN EI - 2009 9EU01/9FO01/9GO01/9SO01/9AT 9US02	PARTS NAME	Q`TY	REMARKS	REC.Q`TY 100 UNIT (PCS)
1		62100HR8300	62100HR8300		SHOCK ABSORBER ASS`Y rear	1
2		09103H10101	09103H10101		BOLT, rear shock absorber upper	1
3		08319-31108	08319-31108		NUT, rear shock absorber upper	2
4		09103H10101	09103H10101		BOLT, rear shock absorber lower	1
5		61310H99700	61310H99700		CASE COMP, chain	1
6		09111H06066	09111H06066		BOLT, chain case	2

FIG.45 (2008)

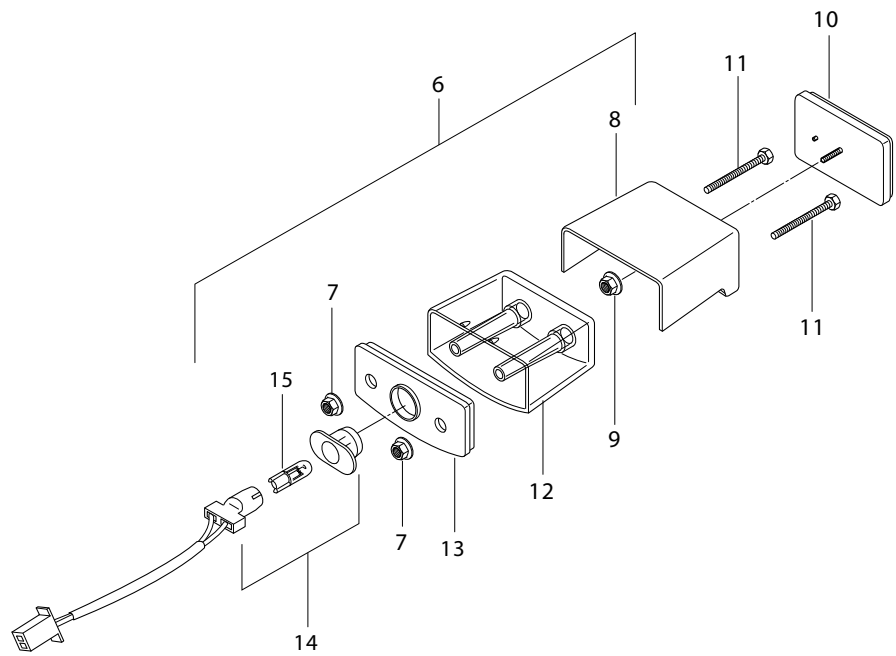
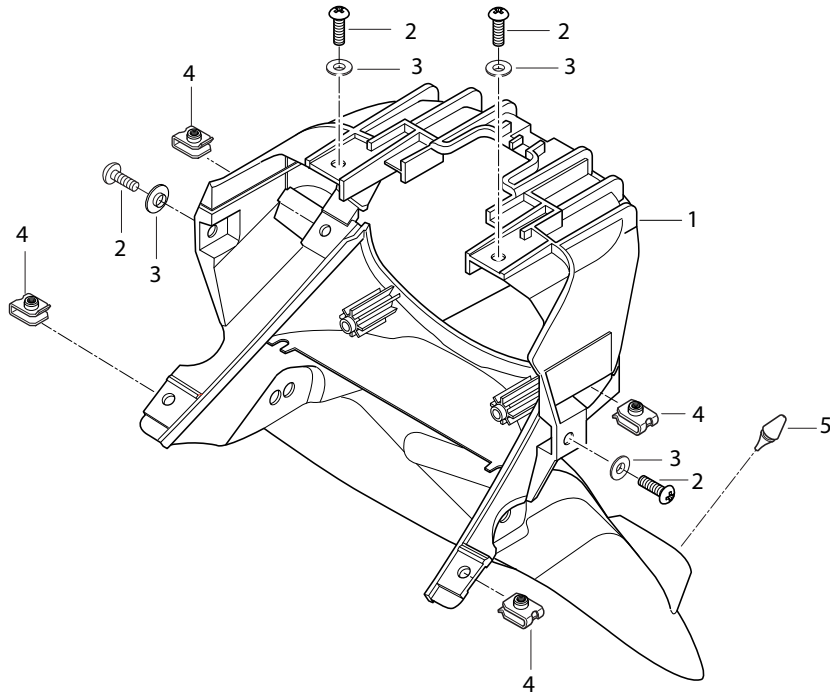


FIG 45. REAR FENDER(2008)

REF. NO.	GT250R FI - 2008 7EU01/7FO01/7GO01/7SO01	GT250RN EI - 2009 9EU01/9FO01/9GO01/9SO01/9AT 9US02	PARTS NAME	QTY	REMARKS	REC.QTY 100 UNIT (PCS)
1	63111HM810112A		FENDER, rear	1		10
2	02142-06166		SCREW, rr fender	4		
3	09169-06032		WASHER, rr fender	4		
4	09148-05039		NUT, rr fender	4		
5	09321-06023		CUSHION, license plate	2		
6	35910HG5150		LAMP ASSY, license plate	1		
7	08316-26055		NUT, license lamp(M5)	2		
8	35915HL7300		COVER, license lamp	1		
9	08316-26055		NUT, rear reflex reflector	1		
10	35970-17303		REFLEX REFLECTOR ASS'Y, rear	1		5
11	01107-05605		BOLT, license lamp	2		
12	35911HG5800		LENS, license	1		
13	35912HG5800		HOUSING, license	1		
14	35916HG5800		CORD ASS'Y	1		
15	09471-12150		BULB, license lamp(12V/5W)	1		

FIG 45 (2009)

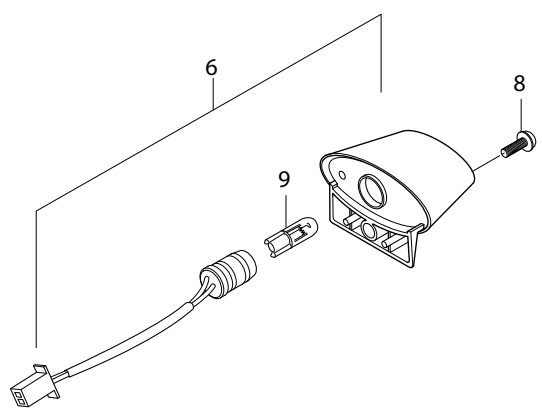
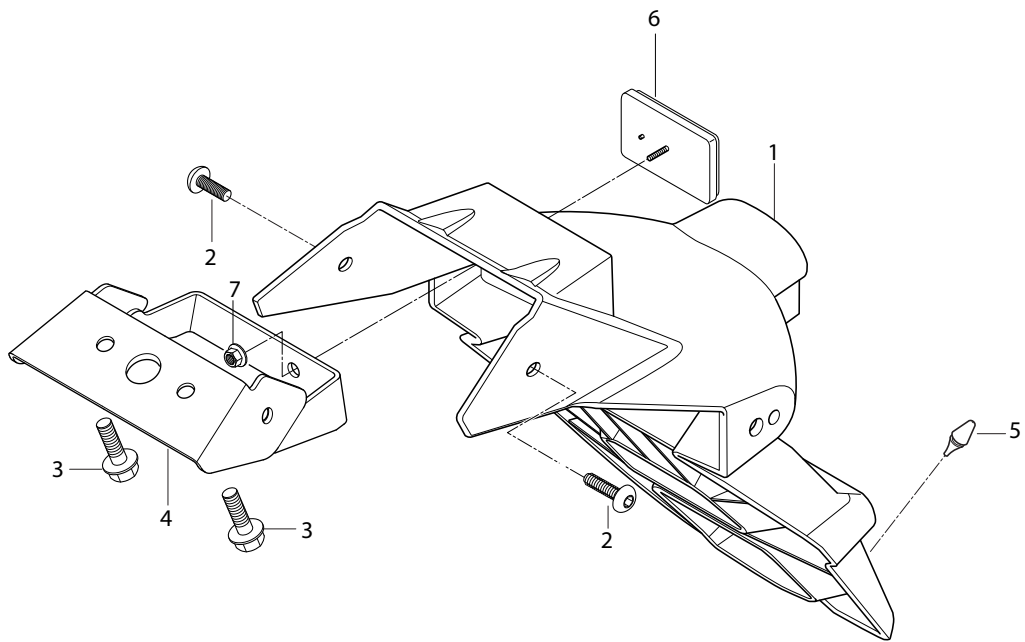


FIG 45. REAR FENDER(2009)

REF. NO.	GT250R FI - 2008 7EU01/7FO01/7GO01/7SO01	GT250RN EI - 2009 9EU01/9FO01/9GO01/9SO01/9AT 9US02	PARTS NAME	Q'TY	REMARKS	REC.Q'TY 100 UNIT (PCS)
1		63111H99700	63111H99700	FENDER, rear		1
2		09106H08150	09106H08150	BOLT, rear fender brkt		2
3		01517-08168	01517-08168	BOLT, rear fender brkt & frame		2
4		63120H99701	63120H99701	BRKT COMP, rear fender		1
5		09321-06023	09321-06023	CUSHION, license plate		1
6		35910HP7600	35910HP7600	LAMP ASSY, license plate		1
7		08310-11055	08310-11055	NUT, license lamp(M5)		1
8		02112-05205	02112-05205	SCREW, license lamp		1
9		09471-12110	09471-12110	BULB, license lamp(12V W5)		1
			35950-30A04	REFLEX REFTOR(SD)		2
			35970HM8170	REFLEX,SIDE RR		2

FIG.46

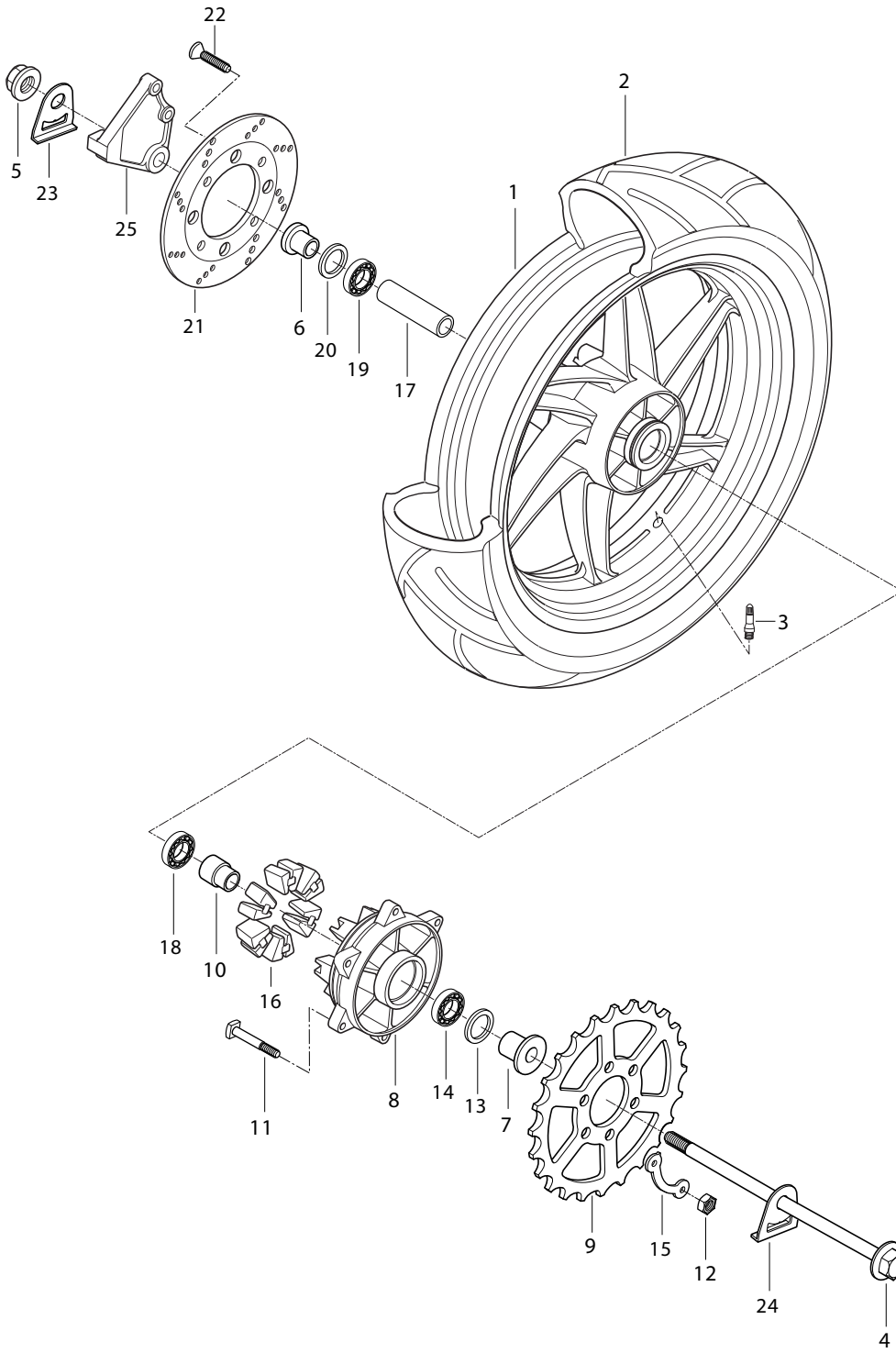


FIG 46. REAR WHEEL

REF. NO.	GT250R FI - 2008		GT250RN EI - 2009		PARTS NAME	QTY	REMARKS	REC.QTY
	7EU01/7FO01/7GO01/7SO01	9EU01/9FO01/9GO01/9SO01/9AT	9US02					100 UNIT
								(PCS)
0	64150SM8103120	64150SM8103120	64150SM8103120	64150SM8103120	WHEEL + TIRE REAR ASS`Y			5
1	64150HM8103120	64150HM8103120	64150HM8103120	64150HM8103120	WHEEL COMP, rear (J17xMT4.00)	1		5
2	65101HR8300	65101HR8300	65101HR8300	65101HR8300	TIRE COMP, rear(150/70-17 69J)	1		5
3	55220-41D10	55220-41D10	55220-41D10	55220-41D10	VALVE ASSY, wheel rim	1		5
4	64711HM8102	64711HM8102	64711HM8102	64711HM8102	AXLE, rear	1		5
5	09159H16002	09159H16002	09159H16002	09159H16002	NUT, rear axle	1		5
6	64741HM8100	64741HM8100	64741HM8100	64741HM8100	SPACER, rear axle R	1		5
7	64751HM8100	64751HM8100	64751HM8100	64751HM8100	SPACER, rear axle L	1		
8	64611HM8170120	64611HM8170120	64611HM8170120	64611HM8170120	DRUM, rear sprocket mounting	1		5
9	64511HM8102	64511HM8102	64511HM8102	64511HM8102	SPROCKET, rear	1		
10	64733HM8100	64733HM8100	64733HM8100	64733HM8100	RETAINER, rear sprocket drum	1		
11	01517-08358	01517-08358	01517-08358	01517-08358	BOLT, rear sprocket	6		
12	08319-31088	08319-31088	08319-31088	08319-31088	NUT, rear sprocket	6		5
13	09285-28001	09285-28001	09285-28001	09285-28001	OIL SEAL, rear sprocket mounting drum	1		5
14	08133-62047	08133-62047	08133-62047	08133-62047	BEARING, rear sprocket mounting drum	1		
15	09169-10013	09169-10013	09169-10013	09169-10013	WASHER, rear sprocket	3		10
16	64651HM8101	64651HM8101	64651HM8101	64651HM8101	SHOCKABSORBER, rear wheel	6		5
17	64731HM8100	64731HM8100	64731HM8100	64731HM8100	SPACER, rear wheel bearing	1		
18	08133-62037	08133-62037	08133-62037	08133-62037	BEARING, rear wheel L	1		
19	08133-62037	08133-62037	08133-62037	08133-62037	BEARING, rear wheel R	1		
20	09280-55001	09280-55001	09280-55001	09280-55001	O-RING, rear brake	1		
21	69211HM8102	69211HM8102	69211HM8102	69211HM8102	DISK, rear brake	1		
22	09106H08230	09106H08230	09106H08230	09106H08230	BOLT, rear brake disk	6		30
23	64712HJ8201	64712HJ8201	64712HJ8201	64712HJ8201	WASHER, chain adjuster R	1		
24	64712HJ8201	64712HJ8201	64712HJ8201	64712HJ8201	WASHER, chain adjuster L	1		3
25	69340HM8170120	69340HM8170120	69340HM8170120	69340HM8170120	CARRIER, caliper	1		3

FIG.47

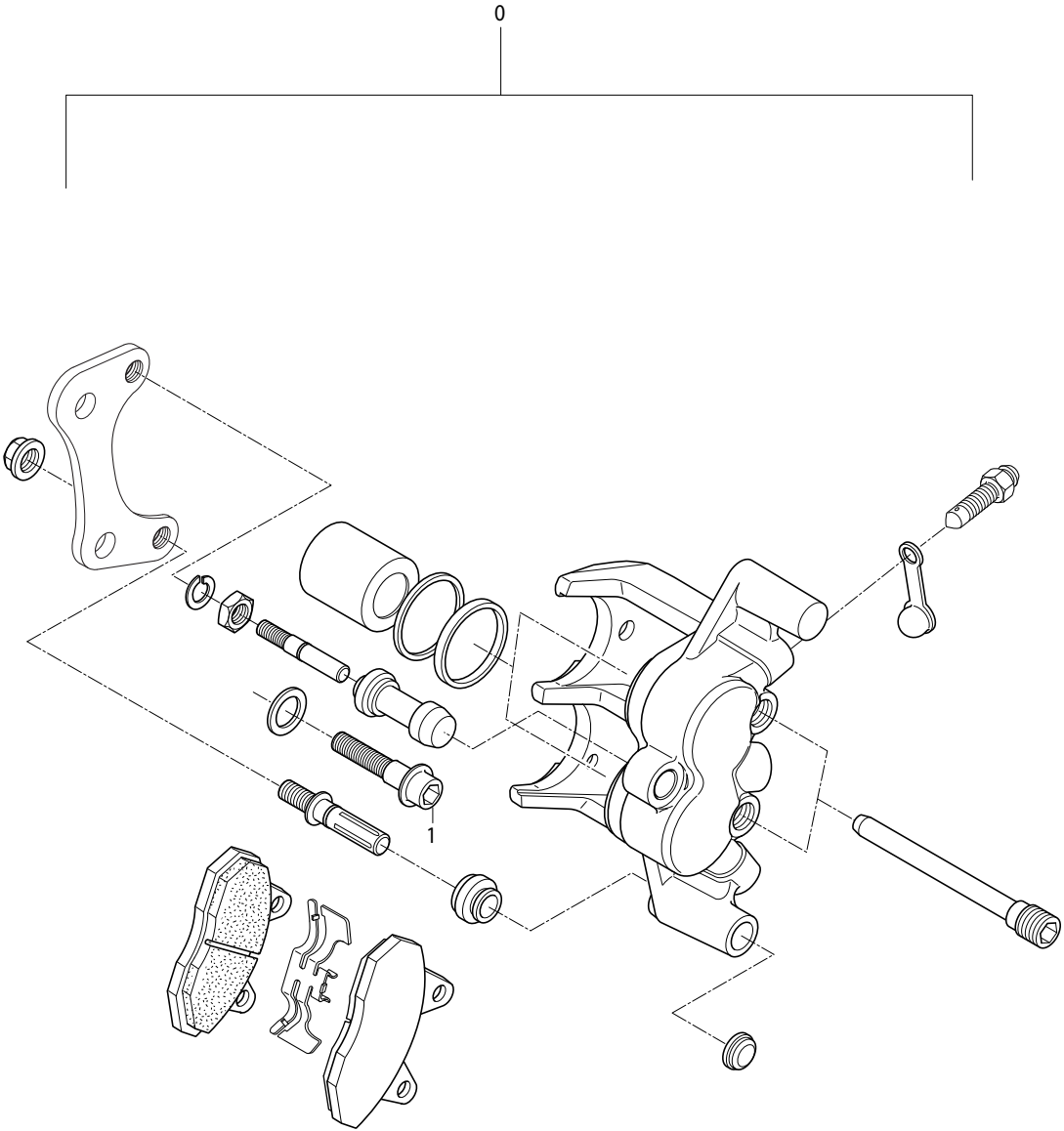


FIG 47. REAR CALIPER

REF. NO.	GT250R FI - 2008 7EU01/7FO01/7GO01/7SO01	GT250RN EI - 2009 9EU01/9FO01/9GO01/9SO01/9AT 9US02	PARTS NAME	QTY	REMARKS	REC.QTY 100 UNIT (PCS)	
0	69300HN9102	69300HN9102	69300HN9102	CALIPER ASS`Y, L		1	5
1	07120-08258	07120-08258	07120-08258	BOLT, caliper		2	5
2	59301HP9500	59301HP9500	59301HP9500	PAD SET		1	50

FIG 48

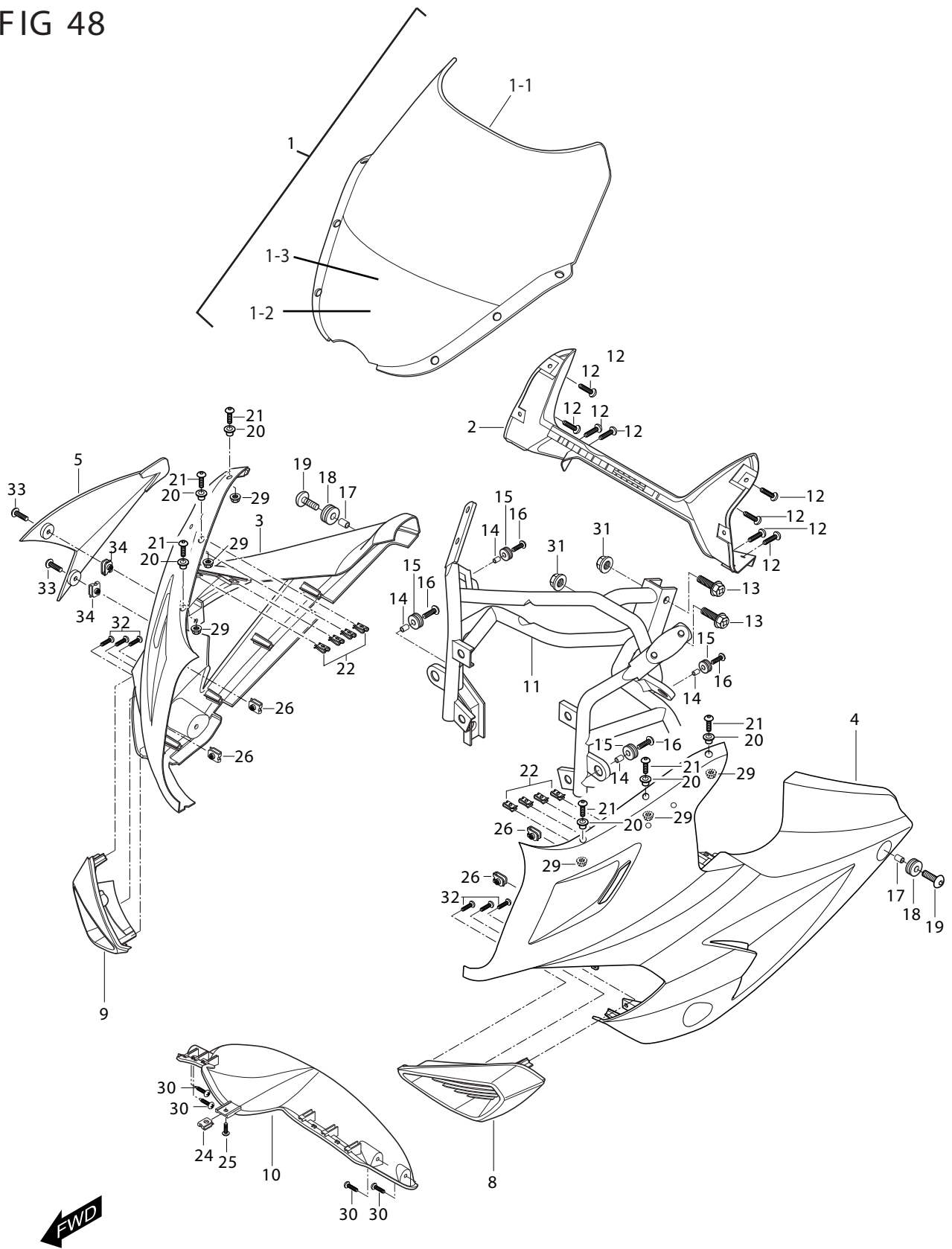


FIG 48. COW'G BODY

REF. NO.	GT250R FI - 2008	GT250RN EI - 2009		PARTS NAME	Q'TY	REMARKS	REC.Q'TY
	7EU01/7FO01/7GO01/7SO01	9EU01/9FO01/9GO01/9SO01/9AT	9US02				100 UNIT
1	94611HP9203HPA	94611HP9203HPA	94611HP9203HPA	WINDSCREEN ASS'Y(COLOR :LIQUID)	1		5
	94601HP9200HPA	94601HP9200HPA	94601HP9200HPA	WIND SCREEN ASS'Y(COLOR : TONED)			5
1-1	94611HP9203	94611HP9203	94611HP9203	WINDSCREEN			5
1-2	68500HP9200	68500HP9200	68500HP9200	TAPE,WINDSCREEN			5
1-3	68120HL7300120	68120HL7300120	68120HL7300120	EMBLEM,LEG SHIELD FRONT(HYOSUNG)			5
2	94641HP9201	94641HP9201	94641HP9201	PANEL, meter	1		
3	94411HP92020DR	94411HP92020DR	94411HP92020DR	COW'G, body side R(0NR,0DR)-RED,RED/BLACK	1		
	94411HP92020DS	94411HP92020DS	94411HP92020DS	COW'G, body side R(0NS)-SILVER/BLACK	1		
	94411HP92020LO	94411HP92020LO	94411HP92020LO	COW'G, body side R(0UO)-ORANGE/BLACK	1		
	94411HP92020BK	94411HP92020BK	94411HP92020BK	COW'G, body side R(0BK)-BLACK	1		
		94411HP92020WP	94411HP92020WP	COW'G, body side R(0NW)-WHITE/BLACK	1		
4	94421HP92020DR	94421HP92020DR	94421HP92020DR	COW'G, body side L(0NR,0DR)-RED,RED/BLACK	1		
	94421HP92020DS	94421HP92020DS	94421HP92020DS	COW'G, body side L(0NS)-SILVER/BLACK	1		
	94421HP92020LO	94421HP92020LO	94421HP92020LO	COW'G, body side L(0UO)-ORANGE/BLACK	1		
	94421HP92020BK	94421HP92020BK	94421HP92020BK	COW'G, body side L(0BK)-BLACK	1		
		94421HP92020WP	94421HP92020WP	COW'G, body side L(0NW)-WHITE/BLACK	1		
5	94431HP92000DR	94431HP92000DR	94431HP92000DR	COW'G, body side R inner(0NR,0DR)-RED,RED/BLACK	1		
	94431HP92000DS	94431HP92000DS	94431HP92000DS	COW'G, body side R inner(0DS)-SILVER/BLACK	1		
	94431HP92000LO	94431HP92000LO	94431HP92000LO	COW'G, body side R inner(0UO)-ORANGE/BLACK	1		
	94431HP92000BK	94431HP92000BK	94431HP92000BK	COW'G, body side R inner(0BK)-BLACK	1		
		94431HP92000NW	94431HP92000NW	COW'G, body side R inner(0NW)-WHITE/BLACK	1		
6	94671HP9200121	94671HP9200121	94671HP9200121	COWLING, air duct L	1		
7	94661HP9200121	94661HP9200121	94661HP9200121	COWLING, air duct R	1		
8	94441HP92000DR	94441HP92000DR	94441HP92000DR	COW'G, body center lower(0NR,0DR)-RED,RED/BLACK	1		
	94441HP92000DS	94441HP92000DS	94441HP92000DS	COW'G, body center lower(0NS)-SILVER/BLACK	1		
	94441HP92000LO	94441HP92000LO	94441HP92000LO	COW'G, body center lower(0UO)-ORANGE/BLACK	1		
		94441HP92000WP	94441HP92000WP	COW'G, body center lower(0WP)WHITE/BLACK	1		

FIG 48

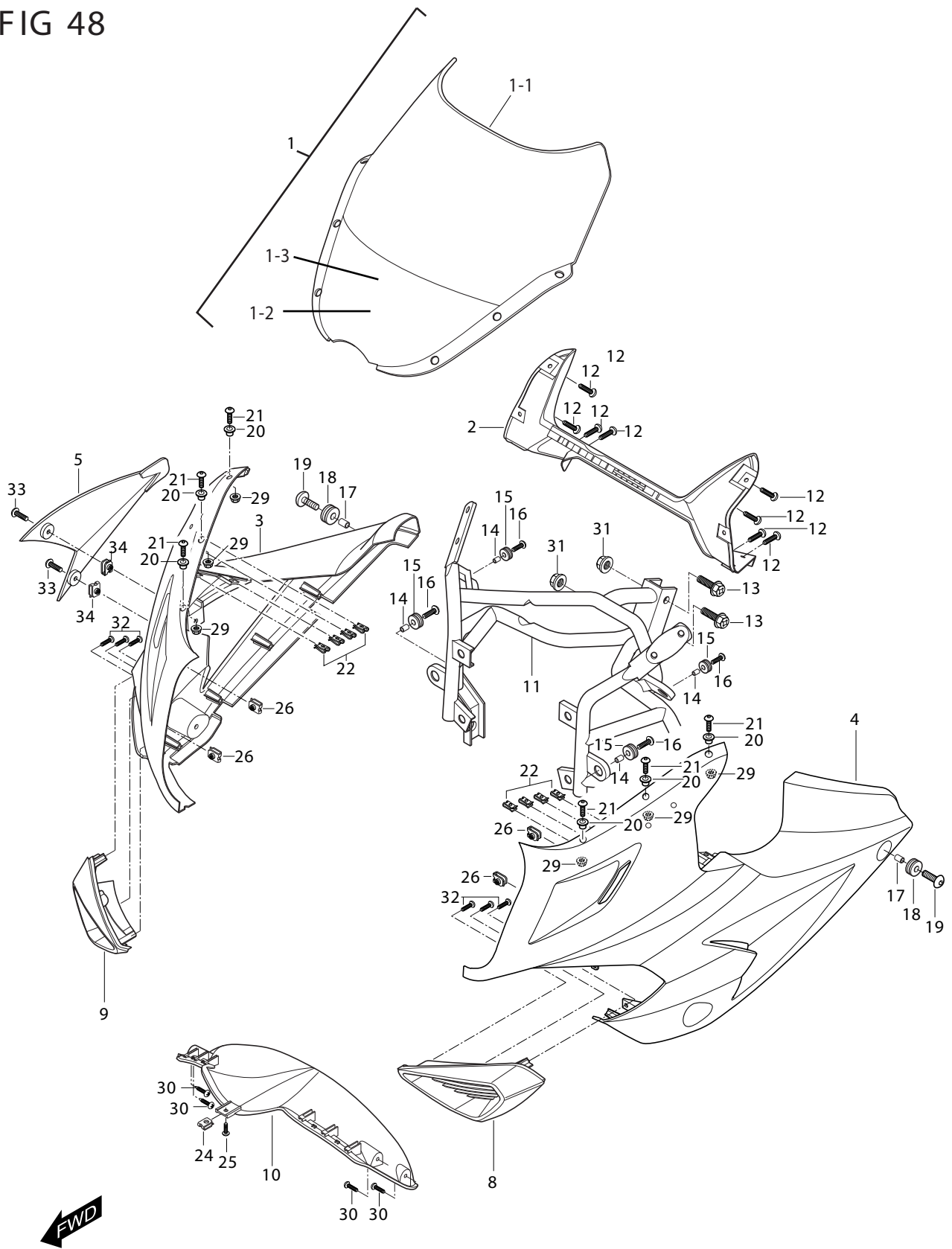
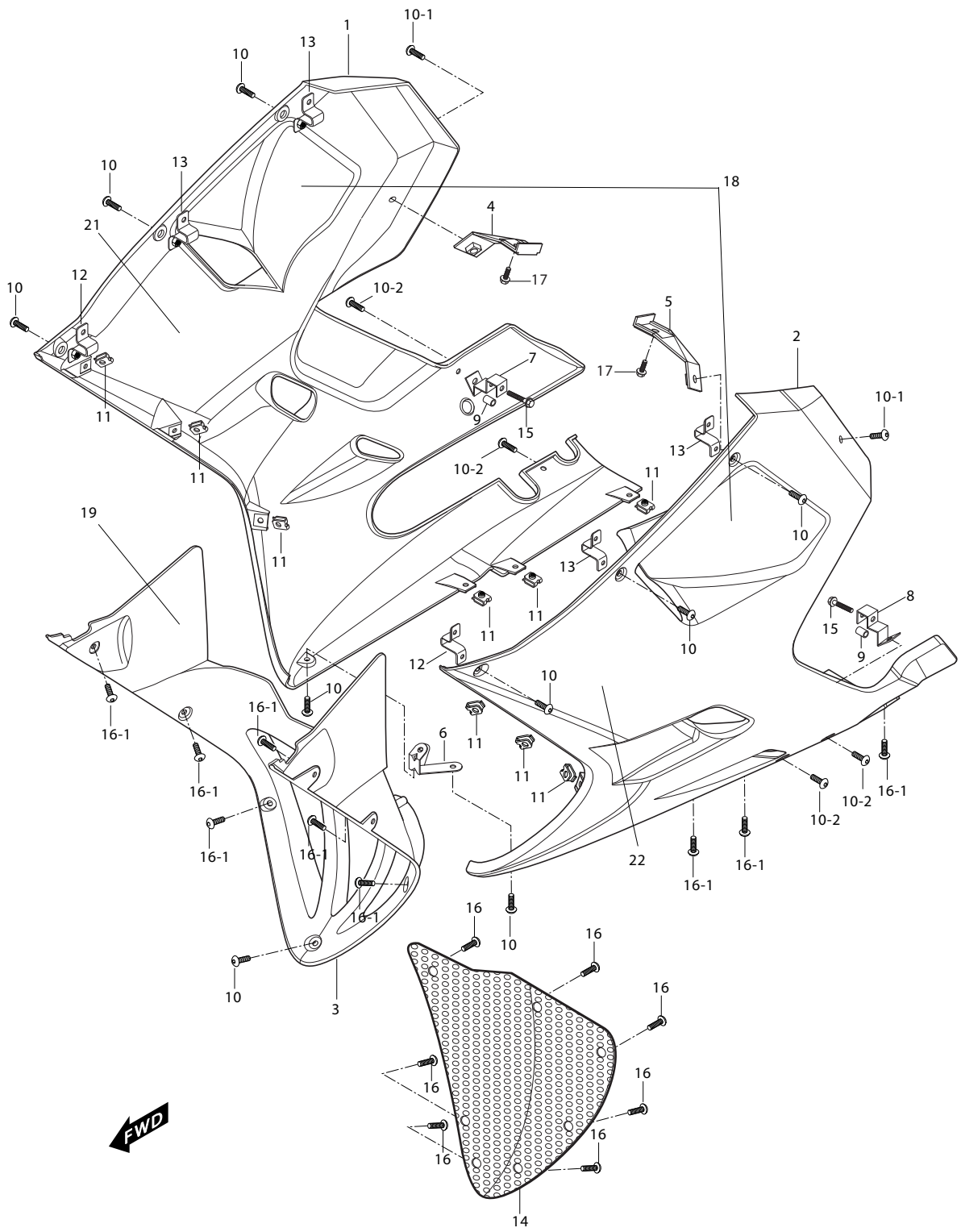


FIG 48. COW'G BODY

REF. NO.	GT250R FI - 2008		GT250RN EI - 2009		PARTS NAME	Q'TY	REMARKS	REC.Q'TY
	7EU01/7FO01/7GO01/7SO01	9EU01/9FO01/9GO01/9SO01/9AT	9US02					100 UNIT
								(PCS)
9	94510HP9202	94510HP9202	94510HP9202	94510HP9202	BRACE, cowling	1		5
10	03241-05125	03241-05125	03241-05125	03241-05125	BOLT, meter panel & body side cow R/L	8		
11	09103H08254	09103H08254	09103H08254	09103H08254	BOLT, brace comp & frame head pipe	2		
12	09180H06208	09180H06208	09180H06208	09180H06208	SPACER, body side cow R/L & brace comp	4		
13	09320-09034	09320-09034	09320-09034	09320-09034	CUSHION, body side cow R/L & brace comp	4		
14	09116-06143	09116-06143	09116-06143	09116-06143	BOLT, body side COW'G R/L & brace comp	4		
15	09180H06208	09180H06208	09180H06208	09180H06208	SPACER, body side COW'G R/L & frame	2		
16	09320-09016	09320-09016	09320-09016	09320-09016	CUSHION, body side COW'G R/L & frame	2		
17	09136-06113	09136-06113	09136-06113	09136-06113	BOLT, body side COW'G R/L & frame	4		
18	09320-07012	09320-07012	09320-07012	09320-07012	CUSHION, windscreen & body side COW'G up	6		
19	09106H05150	09106H05150	09106H05150	09106H05150	BOLT, windscreen & body side COW'G up	6		
20	09148-05004	09148-05004	09148-05004	09148-05004	NUT, body side COW'G R/L & meter panel	8		
21	09148-05004	09148-05004	09148-05004	09148-05004	NUT, lower COW'G ctr & body side COW'G R/L	1		
22	03241-05125	03241-05125	03241-05125	03241-05125	SCREW, lower COW'G ctr & body side COW'G R/L	1		
23	09148-06020	09148-06020	09148-06020	09148-06020	NUT, body side COW'G R/L & brace comp	4		
24	08316-26055	08316-26055	08316-26055	08316-26055	NUT, windscreen & body side COW'G up	6		15
25	03211-05166	03211-05166	03211-05166	03211-05166	SCREW, lower COW'G & body side COW'G R/L	4		
26	08313-11088	08313-11088	08313-11088	08313-11088	NUT, brace comp & frame head pipe	2		
27	03241-04128	03241-04128	03241-04128	03241-04128	SCREW, body side cwing & air doct COW'G	6		
28	09106H06150	09106H06150	09106H06150	09106H06150	BOLT	2		60
29	09148-06020	09148-06020	09148-06020	09148-06020	NUT	2		
30	09169-05018	09169-05018	09169-05018	09169-05018	WASHER, Windscreen	6		
31	94454HP9400	94454HP9400	94454HP9400	94454HP9400	CUSHION, Upper Cowling R	1		
32	94455HP9400	94455HP9400	94455HP9400	94455HP9400	CUSHION, Upper Cowling L	1		

FIG 49



TAPE, under cowling

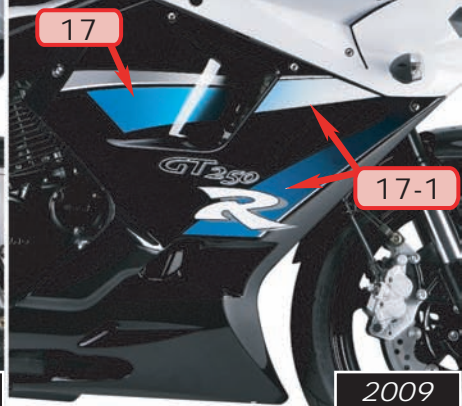
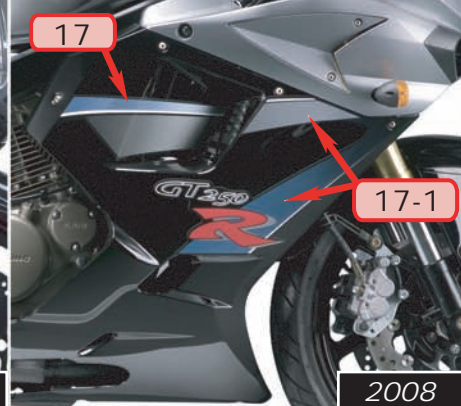
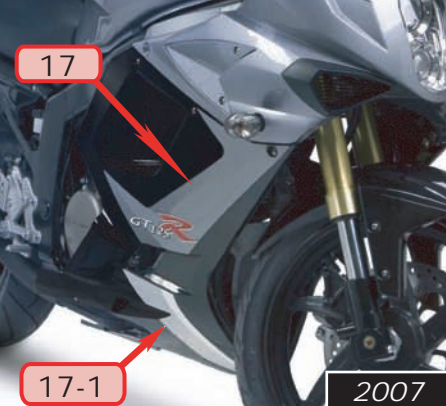


FIG 49. COW'G BODY

REF. NO.	GT250R FI - 2008	GT250RN EI - 2009	PARTS NAME	Q'TY	REMARKS	REC.Q'TY
	7EU01/7FO01/7GO01/7SO01	9EU01/9FO01/9GO01/9SO01/9AT 9US02				100 UNIT
1	94432H787630BK	94432H787630BK	94432H787630BK	1	COW'G, under RH (SILVER/BLACK)- With Tape	5
1	94432H787640BK	94432H787640BK	94432H787640BK	1	COW'G, under RH (RED/BLACK)- With Tape	5
1	94432H787620BK			1	COW'G, under RH (ORANGE/BLACK)- With Tape	5
1	94432HP9402C**	94432HP9402C**	94432HP9402C**	1	COW'G, under RH (CBK,CDR)	5
1	94432H787650BK	94432H787650BK	94432H787650BK	1	COW'G, under RH (WHITE/BLACK)-With Tape	5
2	94433H787630BK	94433H787630BK	94433H787630BK	1	COW'G, under LH (SILVER/BLACK)- With Tape	5
2	94433H787640BK	94433H787640BK	94433H787640BK	1	COW'G, under LH (RED/BLACK)- With Tape	5
2	94433H787620BK			1	COW'G, under LH (ORANGE/BLACK)- With Tape	5
2	94433HP9400C**	94433HP9400C**	94433HP9400C**	1	COW'G, under LH (CBK,CDR)	5
2	94433H787650BK	94433H787650BK	94433H787650BK		COW'G, under LH (WHITE/BLACK)-With Tape	5
3	94431HP94000**	94431HP94000**	94431HP94000**	1	COW'G, under center (0NS,0NR,0UO,0BK,0DR,0NW)	5
4	94437HR8300	94437HR8300	94437HR8300	1	PLATE, under cowling upper RH	5
4-1	94434HR8300	94434HR8300	94434HR8300	1	BRACKET	5
5	94438HR8300	94438HR8300	94438HR8300	1	PLATE, under cowling upper LH	5
5-1	94435HR8300	94435HR8300	94435HR8300	1	BRACKET	5
6	94436HP9401	94436HP9401	94436HP9401	1	PLATE, under center cowling	5
7	94478HR8300	94478HR8300	94478HR8300	1	BRKT COMP, frame & body side cowling R	5
8	94479HR8300	94479HR8300	94479HR8300	1	BRKT COMP, frame & body side cowling L	5
9	01134-06306	01134-06306	01134-06306	2	SPACER, body side cowling R/L	5
10	09106H06150	09106H06150	09106H06150	11	BOLT, body under cowling R/L	5
10-1	09136-06113	09136-06113	09136-06113	2	BOLT	
10-2	09106H06150	09106H06150	09106H06150	4	BOLT	3
11	09148-05004	09148-05004	09148-05004	9	NUT, under cowling	3
12	94425HP9401	94425HP9401	94425HP9401	2	PLATE, body side cowling & lower cowl No.2	
13	94426HP9401	94426HP9401	94426HP9401	4	PLATE, body side cowling & lower cowl	
14	94439HP9401	94439HP9401	94439HP9401	1	GRILL, under center cowling	
15	01547-06403	01547-06403	01547-06403	2	SCREW, body side cowling plate R/L	
16	02142-05125	02142-05125	02142-05125	7	SCREW, side cowling & lower cowl	
16-1	03241-05125	03241-05125	03241-05125	9	SCREW	

FIG 49

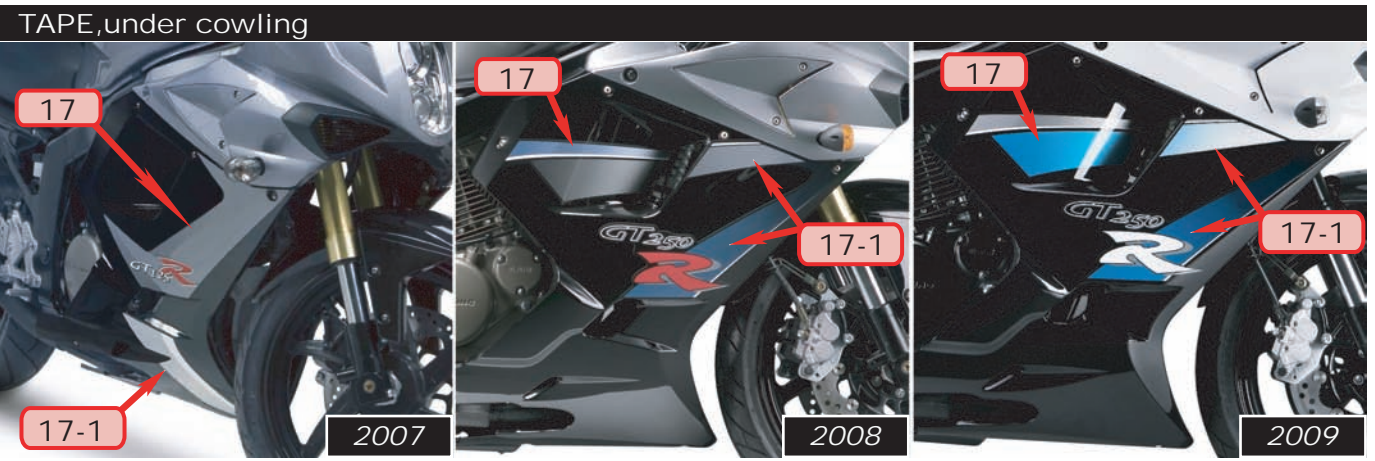
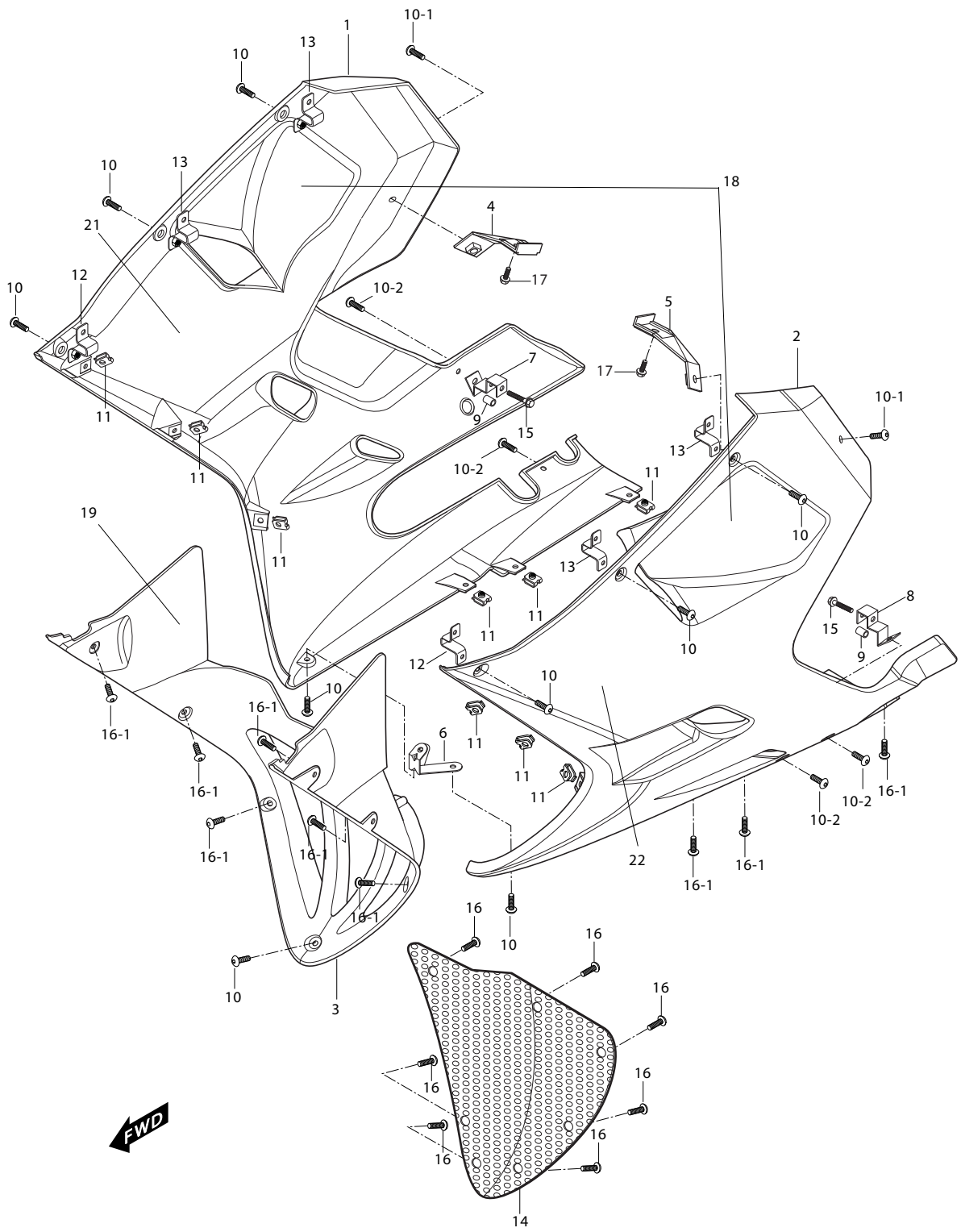


FIG 49. COW'G BODY

REF. NO.	GT250R FI - 2008 7EU01/7FO01/7GO01/7SO01	GT250RN EI - 2009 9EU01/9FO01/9GO01/9SO01/9AT 9US02	PARTS NAME	Q'TY	REMARKS	REC.Q'TY 100 UNIT (PCS)
2007 Version						
17	68144HR83700C2		TAPE, UNDER COW'G NO1 R (ONS)	1	SILVER/BLACK	3
	68144HR83700B9		TAPE, UNDER COW'G NO1 R (ONR)	1	RED/BLACK	3
	68144HR83700C1		TAPE, UNDER COW'G NO1 R (OUO)	1	ORANGE/BLACK	3
	68146HR83700C2		TAPE, UNDER COW'G NO1 L (ONS)	1	SILVER/BLACK	3
	68146HR83700B9		TAPE, UNDER COW'G NO1 L (ONR)	1	RED/BLACK	3
	68146HR83700C1		TAPE, UNDER COW'G NO1 L (OUO)	1	ORANGE/BLACK	3
17-1	68154HR83700C3		TAPE, UNDER COW'G NO2 R (0NS/0NR/0UO)	1		5
	68156HR83700C3		TAPE, UNDER COW'G NO2 L (0NS/0NR/0UO)	1		5
2008 Version						
17	68144H797600D1		TAPE, UNDER COW'G NO1 R (ONS)	1	SILVER/BLACK	3
	68144H797600D2		TAPE, UNDER COW'G NO1 R (ONR)	1	RED/BLACK	3
	68144H797600D8		TAPE, UNDER COW'G NO1 R (OUO)	1	ORANGE/BLACK	3
17-1	68154H78760D3		TAPE, UNDER COW'G NO2 R (0NS)	1	SILVER/BLACK	3
	68154H78760D4		TAPE, UNDER COW'G NO2 R (0NR)	1	RED/BLACK	3
	68154H787600D9		TAPE, UNDER COW'G NO2 R (0UO)	1	ORANGE/BLACK	3
17	68146H797600D1		TAPE, UNDER COW'G NO1 L (ONS)	1	SILVER/BLACK	3
	68146H797600D2		TAPE, UNDER COW'G NO1 L (ONR)	1	RED/BLACK	3
	68146H797600D8		TAPE, UNDER COW'G NO1 L (OUO)	1	ORANGE/BLACK	3
17-1	68156H78760D3		TAPE, UNDER COW'G NO2 L (0NS)	1	SILVER/BLACK	3
	68156H78760D4		TAPE, UNDER COW'G NO2 L (0NR)	1	RED/BLACK	3
	68156H787600D9		TAPE, UNDER COW'G NO2 L (0UO)	1	ORANGE/BLACK	3
2009 Version						
17		68144H79760A3A	68144H79760A3A	TAPE,UNDER COWLING NO.1 R(0NW)	1	BLACK/WHITE
		68144H79760A3B	68144H79760A3B	TAPE,UNDER COWLING NO.1 R(0NR)	1	BLACK/RED
		68144H79760A3C	68144H79760A3C	TAPE,UNDER COWLING NO.1 R(0NS)	1	BLACK/SILVER
17-1		68154H78760A3A	68154H78760A3A	TAPE,UNDER COWLING NO.2 R(0NW)	1	BLACK/WHITE
		68154H78760A3B	68154H78760A3B	TAPE,UNDER COWLING NO.2 R(0NR)	1	BLACK/RED
		68154H78760A3C	68154H78760A3C	TAPE,UNDER COWLING NO.2 R(0NS)	1	BLACK/SILVER
17		68146H79760A3A	68146H79760A3A	TAPE,UNDER COWLING NO.1 L(0NW)	1	BLACK/WHITE
		68146H79760A3B	68146H79760A3B	TAPE,UNDER COWLING NO.1 L(0NR)	1	BLACK/RED
		68146H79760A3C	68146H79760A3C	TAPE,UNDER COWLING NO.1 L(0NS)	1	BLACK/SILVER
17-1		68156H78760A3A	68156H78760A3A	TAPE,UNDER COWLING NO.2 L(0NW)	1	BLACK/WHITE
		68156H78760A3B	68156H78760A3B	TAPE,UNDER COWLING NO.2 L(0NR)	1	BLACK/RED
		68156H78760A3C	68156H78760A3C	TAPE,UNDER COWLING NO.2 L(0NS)	1	BLACK/SILVER
17	68130HR835003P	68130HR835003P	68130HR835003P	TAPE, "GT250 R" RH(0BK)	2	BLACK
	68130HR8350120	68130HR8350120	68130HR8350120	TAPE, "GT250 R" RH(0DR)		RED

FIG 49

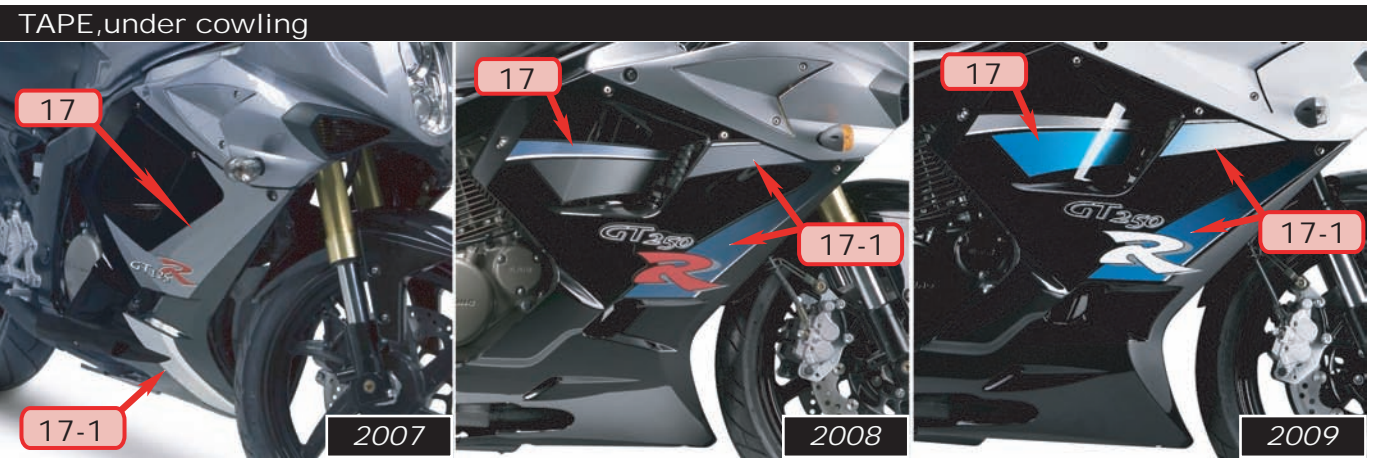
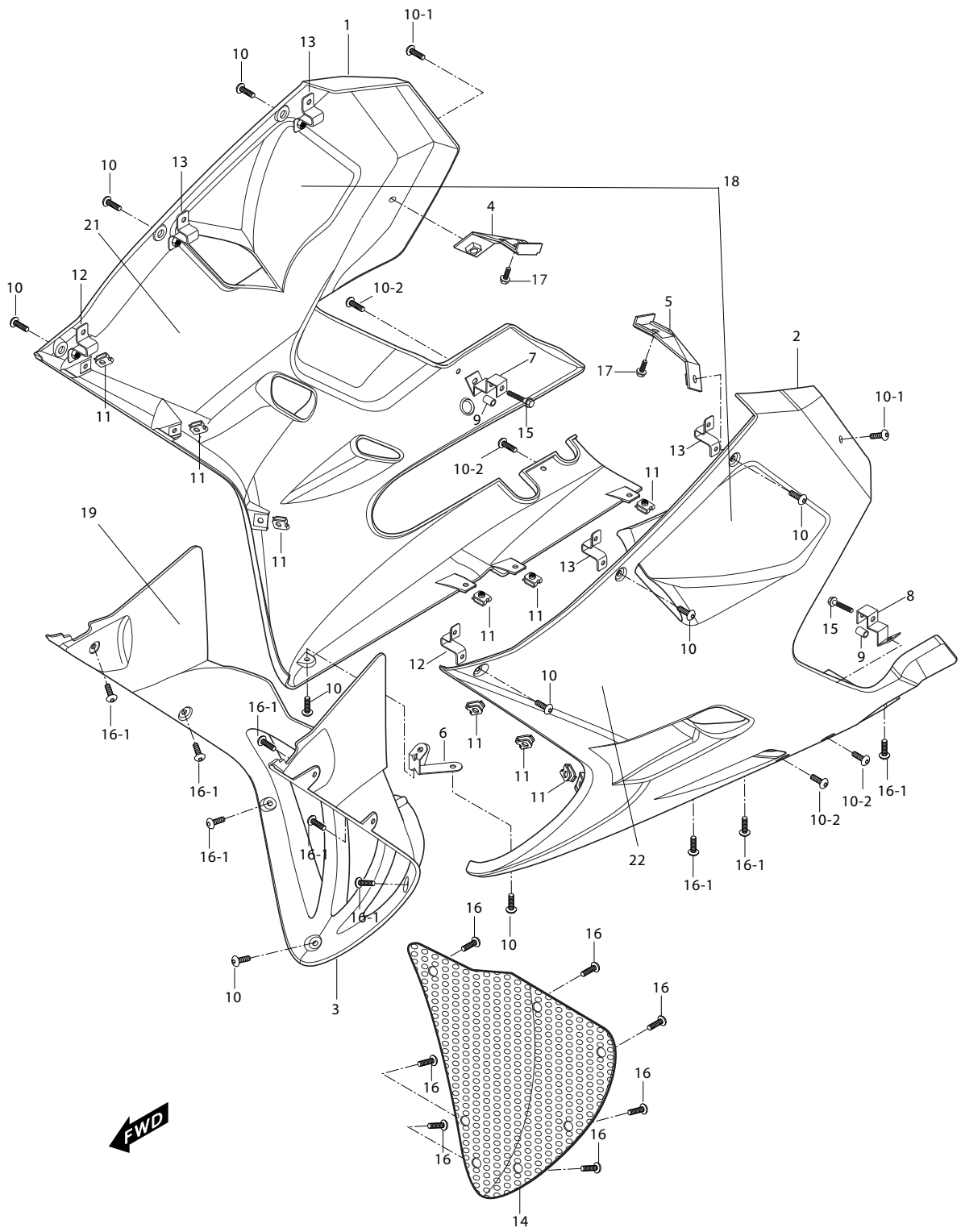


FIG 49. COW'G BODY

REF. NO.	GT250R FI - 2008 7EU01/7FO01/7GO01/7SO01	GT250RN EI - 2009 9EU01/9FO01/9GO01/9SO01/9AT 9US02	PARTS NAME	QTY	REMARKS	REC.QTY 100 UNIT (PCS)
18	94453HP9400	94453HP9400	CUSHION, Under Cow'g Side L	2		
19	94456HP9400	94456HP9400	CUSHION, Under Cent Cow'g R	1		
20	94457HP9400	94457HP9400	CUSHION, Under Cent Cow'g L	1		
21	94458HP9400	94458HP9400	CUSHION, Under Cowling R	1		
22	94459HP9400	94459HP9400	CUSHION, Under Cowling L	1		